

# SPECIFY

SPECIFY YOUR PROJECT REQUIREMENTS BELOW

PLEASE COMPLETE ALL DETAILS BELOW

PROJECT NAME:  
 CLIENT:  
 DOT QUANTITY:  
 STRING QUANTITY:  
 BODY COLOUR:      BLACK      SILVER  
 DIFFUSER TYPE:    DOME OPAL      FLAT BLACK      FLAT CLEAR  
 POWER CONSUMPTION (WATTS):    20      15      10      5  
 AMP RATING:      LOW CURRENT (<9A)      HIGH CURRENT (>9A)  
 CONNECTION TYPE:    LOOSE      QUICK CONNECT\*  
 THROUGH CABLE (METRES):  
 COMMENTS:

SOMETHING DIFFERENT?

IF YOU REQUIRE CUSTOM DETAILS NOT SPECIFIED WITHIN THESE CATEGORIES CONTACT ENTTEC. OUR IN-HOUSE ENGINEERING TEAM CAN EVALUATE YOUR REQUIREMENTS AND WILL ENDEAVOR TO DELIVER A PRODUCT SUITED TO YOUR PROJECT.

ORDER PROCESS

1. SUBMIT YOUR REQUIREMENTS
2. RECEIVE A PROJECT CODE/S FROM ENTTEC
3. SUBMIT A PURCHASE ORDER SPECIFYING SUPPLIED PROJECT CODE/S

\*NOTES\*

\*QUICK CONNECT IS NOT AVAILABLE IN THE HIGH CURRENT VERSION

THE APPEARANCE OF YOUR DOTS WILL DIFFER DEPENDING ON YOUR CUSTOMISATION



## FEATURES

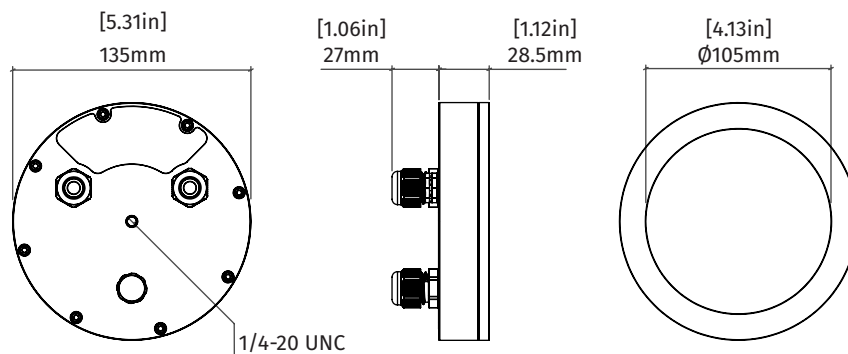
INGRESS PROTECTION	IP66
POWER INPUT	12-60VDC
DATA INPUT	WS2812B
LED TYPE	CREE, RGBW, XMLCTW
AMBIENT TEMPERATURE	-15°C TO +50°C*
*HEAT SENSOR AUTOMATICALLY DIMS LIGHT WHEN OPERATING TEMPERATURE IS EXCEEDED.	
BODY MATERIAL	6061 ALUMINIUM
MATERIAL TREATMENT	ANODISED, 15um, TYPE II, 2 STEP PROCESS
DIFFUSER MATERIAL	PMMA
CABLE SHEATH	PVC V75 (UV STABILISED)
WEIGHT	0.68kg/1.5lbs
WARRANTY	3 YEARS

**P-DOT 135**

PIXEL DOT RGBW IP66 135

**DIMENSIONS**

PRODUCT DIMENSIONS



**DIFFUSER TYPE**

SELECT ONE OF THE FOLLOWING OPTIONS

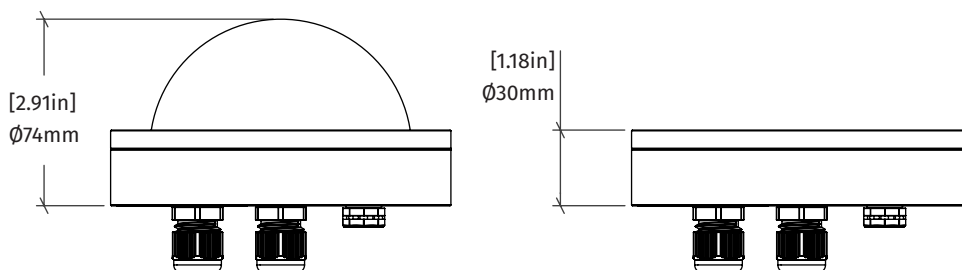
**DOME OPAL**



**FLAT BLACK**



**FLAT CLEAR**



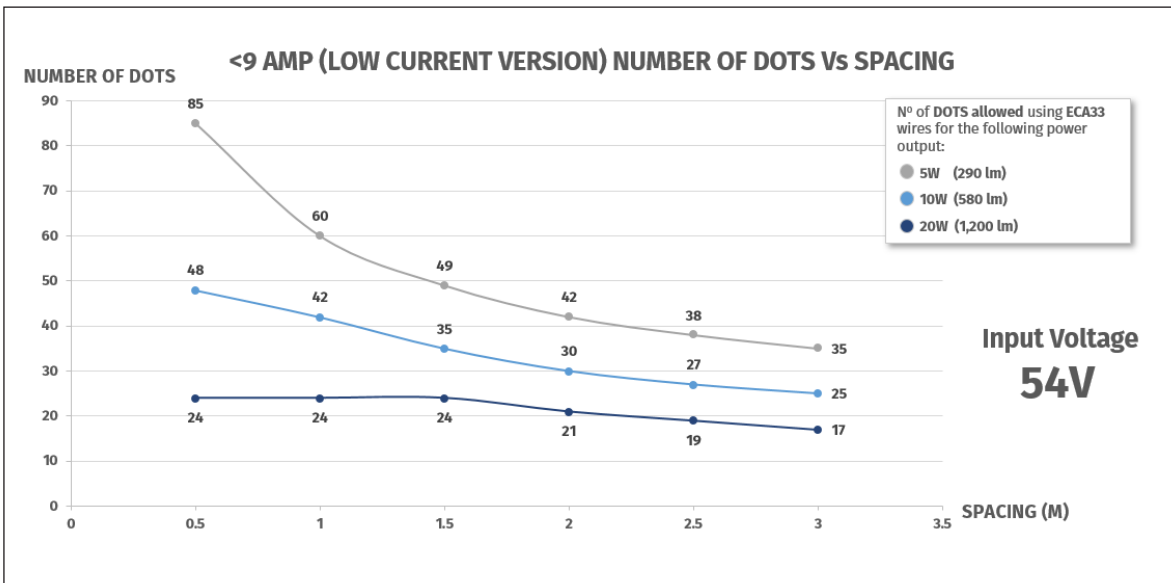
# CURRENT RATING

## LOW CURRENT AND HIGH CURRENT EXPLAINED

**LOW CURRENT:** SIMPLIFIED INSTALLATION REQUIRES LESS FIELD WIRING OR QUICK CONNECT OPTIONS; THE DRAWBACK IS IT LIMITS THE AMOUNT OF DOTS YOU CAN CONNECT IN ONE STRING.

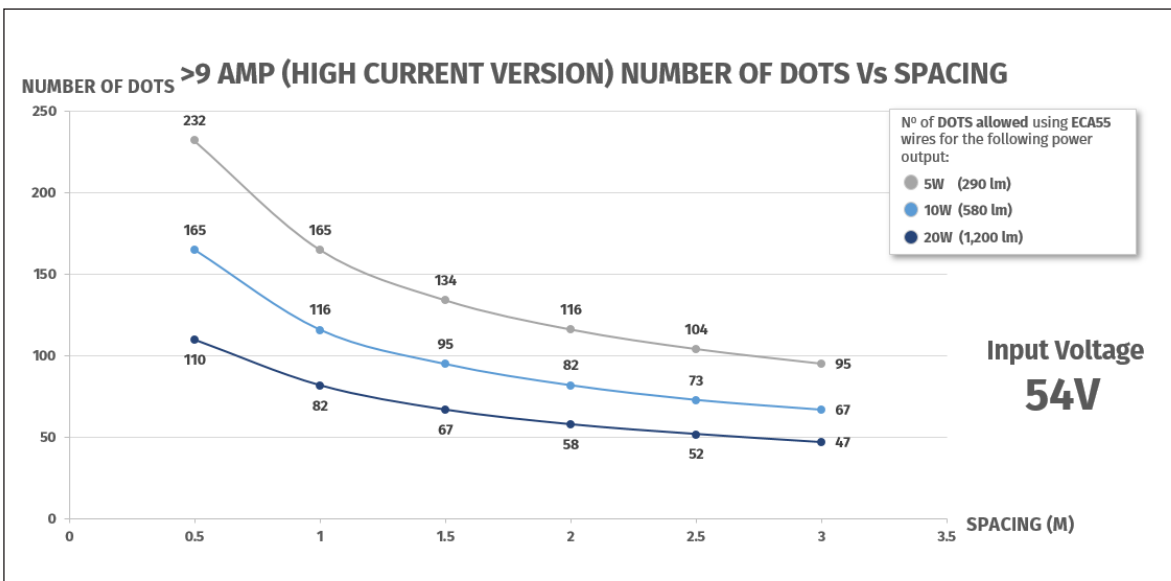
**HIGH CURRENT:** THIS GIVES YOU MORE FLEXIBILITY WITH YOUR PITCH AND CONNECTION TYPES AND ALLOWS FOR MORE DOTS IN THE ONE STRING; THE DRAWBACK IS IT REQUIRES MORE FIELD WIRING AND IS NOT AVAILBLE WITH QUICK CONNECTORS.

## LOW CURRENT VERSION



## HIGH CURRENT VERSION

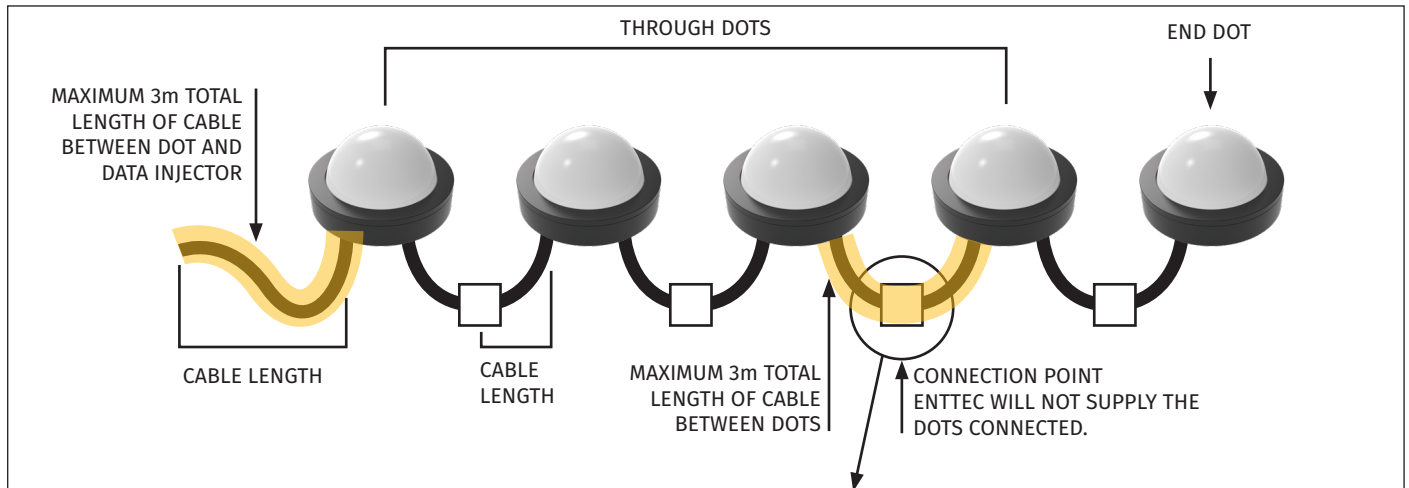
THIS GUIDE BELOW DEPENDS ON YOUR INSTALLATION CABLES AND CONNECTORS, THE EXAMPLE BELOW RELIES ON 40A RATED CABLE.



## LOW CURRENT

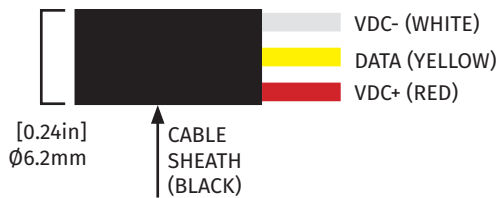
LOW CURRENT VERSION OF THE DOT

LED DOTS WILL NOT BE SUPPLIED CONNECTED, THE CONNECTION MUST BE MADE BY THE INSTALLER.



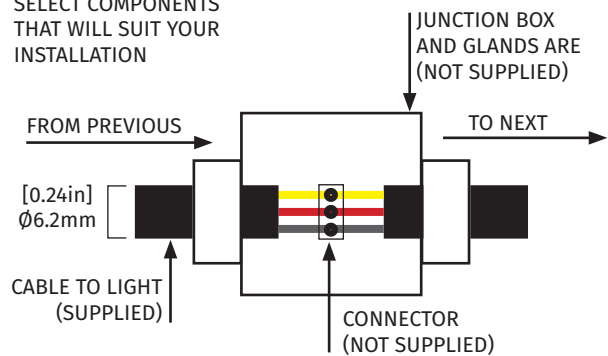
### LOOSE

EACH CABLE LENGTH WILL BE SUPPLIED WITH A LOOSE END. THESE LOOSE ENDS WILL REQUIRE CONNECTION WHEN INSTALLED.

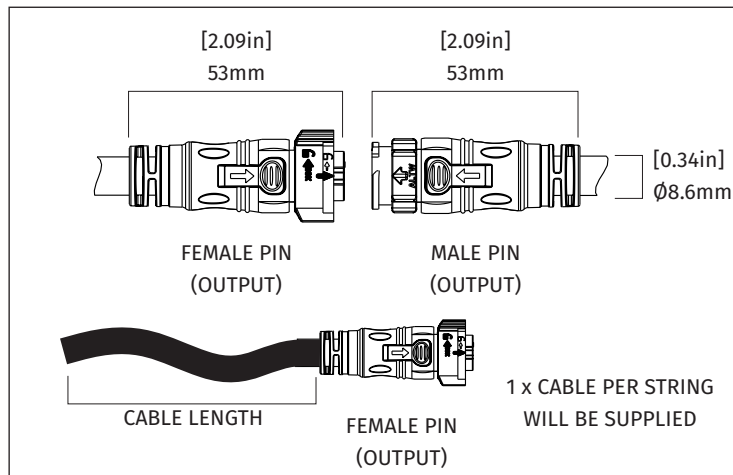


### JUNCTION BOX

SELECT COMPONENTS THAT WILL SUIT YOUR INSTALLATION



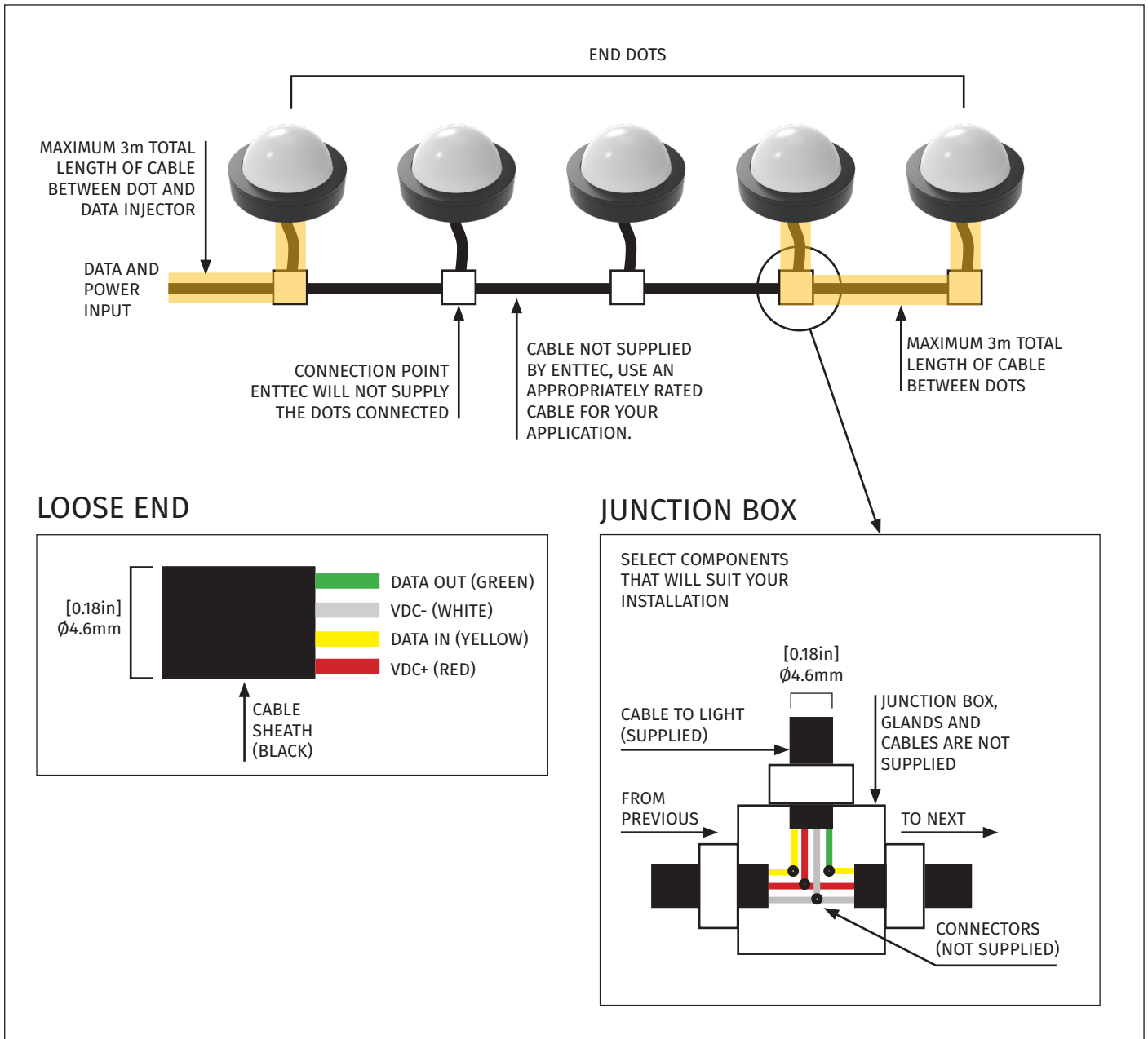
### QUICK CONNECT



# HIGH CURRENT

HIGH CURRENT VERSION OF THE DOT

LED DOTS WILL NOT BE SUPPLIED CONNECTED, THE CONNECTION MUST BE MADE BY THE INSTALLER.



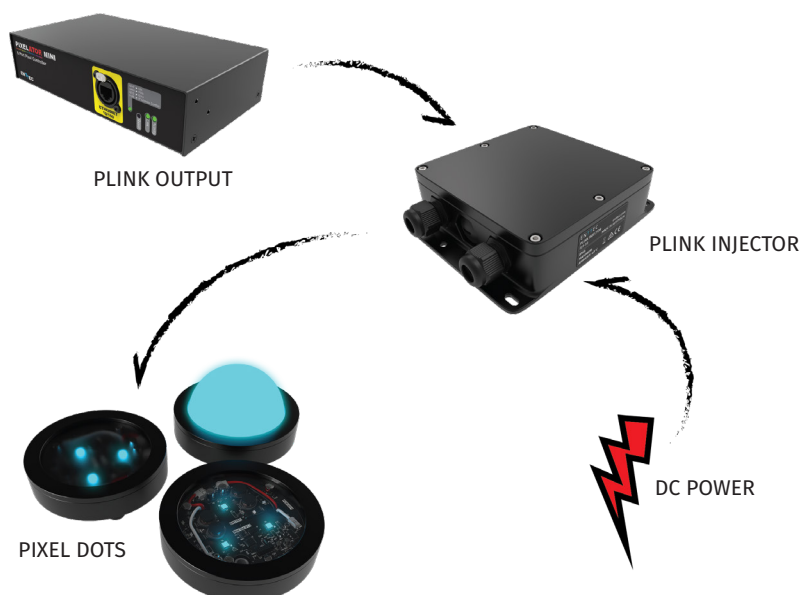
## SYSTEM

### COMPATIBLE PRODUCTS

THE P-DOT 135 PIXEL DOT REQUIRES DC POWER AND DATA INPUT. WE RECOMMEND THE USE OF THE ENTTEC PIXELATOR AND PLINK PRODUCTS. SEE BELOW FOR SOME OF THE BEST OPTIONS.

DATA	SKU	DATA AND POWER	SKU	INJECTOR	SKU
PIXELATOR	70060	PIXEL PORT 12V	76303-12	PLINK INJECTOR (12-24V)	73544
PIXELATOR MINI	70066	PIXEL PORT 24V	76303-24	PLINK INJECTOR (5-60V IP66)	73923
PIXELATOR MINI (PX1-8D)	71066			PSAT 12V	75009-12
PIXEL OCTO (PC1-2D)	71520			PSAT 24V	75009-24

### SYSTEM EXAMPLE

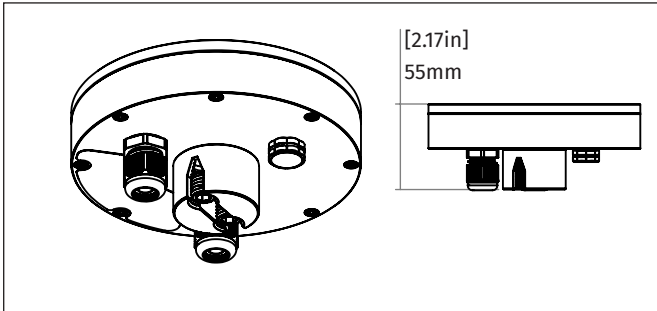


## MOUNTING ACCESSORIES

THESE ARE SOLD SEPARATELY, SEARCH THE PART NUMBER FOR FURTHER INFORMATION

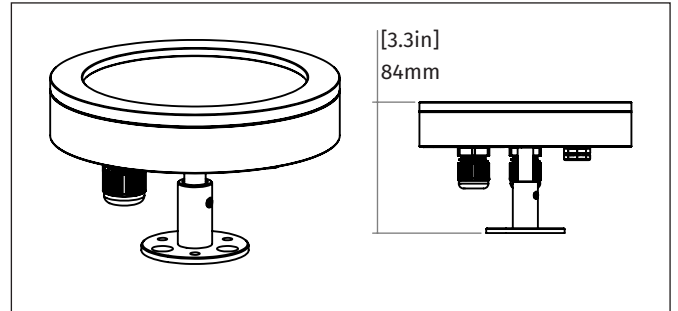
### CATENARY

ORDER CODE: 73941



### SURFACE

ORDER CODE: 73940



### OPTIONAL

MAKE OR BUY YOUR OWN BRACKET

