

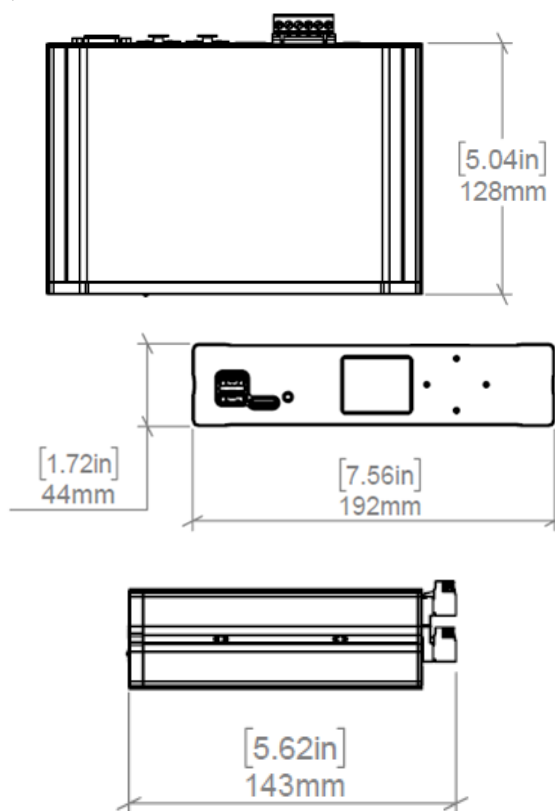
## S-Play



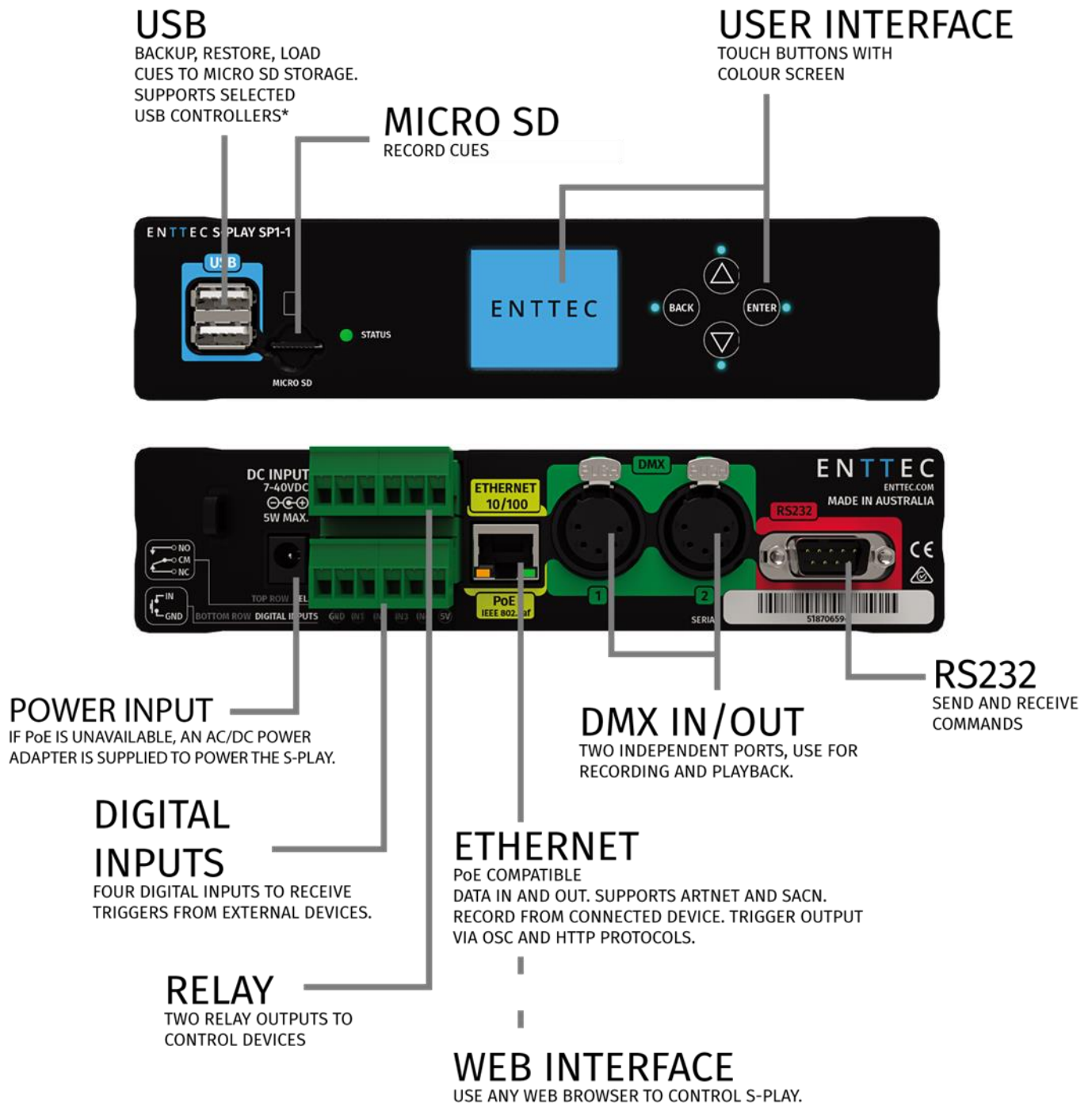
### Features

- In built controls to record and play cues
- USB port to backup and restore device
- Control playlist with Novation Launchpad Mini
- Four digital inputs to trigger device from external sources
- Two relay outputs to control devices
- Create DMX Scenes (static cues) and presets (dynamic cues)
- Monitor the DMX values of cues being made
- Create playlists from DMX presets (dynamic and static cues)
- Add events and triggers to playlists
- Two Universe DMX output or Input
- Schedule playlists
- Mapping different protocols to different ports
- Cue list priorities (low, medium, high and highest)
- Remote trigger options: RS232, OSC, ArtNet, DMX, GPIO

### Physical Dimensions



## Wiring Diagrams



## Safety

- This unit is intended for indoor use only.
- Do not expose this device to rain or moisture, doing this will void the warranty.
- Make all the connections before you plug in the mains power
- Do not remove the cover, there are no user serviceable components inside.
- Never plug this unit in to a dimmer pack
- Ensure proper earth connections
- Always be sure to mount this unit in an area that will allow proper ventilation. Allow about 6" (20 cm) between this device and a wall.
- Power-supply cords should be routed so that they are not likely to be walked on or pinched by items placed upon or against them, pay particular attention to the point they enter and exit the unit.

## Ordering Information

SKU	Description
70092	S-Play

## Specifications

Item	Value
<b>Input Voltage</b>	7 V DC to 40 V DC
<b>PoE</b>	IEEE 802.3af
<b>Output Protocol</b>	DMX512/Art-Net/sACN
<b>Supported Protocols</b>	Art-Net 1/2/3, sACN
<b>Connectors</b>	2X DMX 5Pin 1X RJ45 1X RS232 1X DC Jack 2X USB Host 4X Dry Inputs 2X Relay Outputs 1X Micro SD
<b>IP Rating</b>	IP 20
<b>Operating Temperature</b>	-10° to 50° C
<b>Relative Humidity</b>	0 – 95% (Non-Condensing)
<b>Cooling Method</b>	Convection
<b>Shipped Weight</b>	1.25 Kg / 2.76 lb
<b>Packaging Dimensions</b>	272 X 204 X 102 mm

Due to continuous improvements and innovations of all ENTTEC products, specifications and features are subject to change without notice.

# enttec.com

MELBOURNE AUS / LONDON UK / RALEIGH-DURHAM USA