



Model Reference # CSH475

Order code # LT XFW-CSH475B1

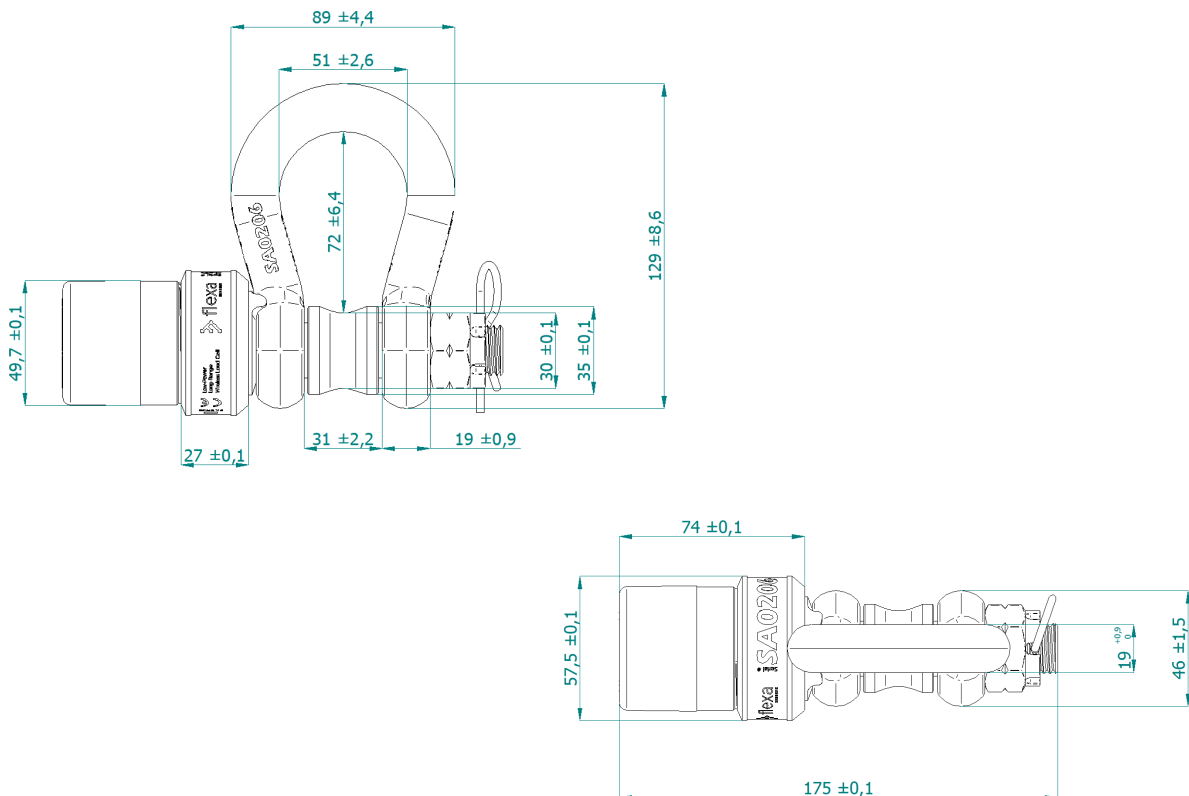
WIRELESS LOAD CELL - CONTROL LINE - 4.75t SHACKLE VERSION - BLACK FINISH

System designed to measure loads in real time with reading every second. Battery-saving strategy increase transmission interval when load is stable. The cells transmit the data to a Gateway which can be connected to a PC with a USB cable. The distances between the cells and the gateway depend on environmental conditions (typically up to 600m in line of sight).

Versions available

- LT XFW-CSH475Z1 Shackle version - 4,75t - hot galvanized finish - Frequency 868MHz
- LT XFW-CSH475B1 Shackle version - 4,75t - black powder coated- Frequency 868MHz
- LT XFW-CSH325Z1 Shackle version - 3,25t - hot galvanized finish - Frequency 868MHz
- LT XFW-CSH325B1 Shackle version - 3,25t - black powder coated- Frequency 868MHz

Dimensions (mm)



Main body

Shackle Manufacturer	Van Beest B.V. (NL)
Load cell pin	Steel - 17-4 PH H925
Bobbin	Steel - 17-4 PH H925
WLL	4,75t
Safety factor Aluminum	5:1 (with Bobbin)
Cylindrical Nut Cylindrical	Anodized aluminum with permanent laser engraving
Cap	Semi-transparent polycarbonate
Load accuracy	35kg or +/- 2% of maximum load
Periodic calibration	Every 2 years or every 7000 hours of service
IP protection level	IP67: Protected against ingress of dust and can withstand without any filtration full immersion in 1 meter for 30 minutes.
Finishing	Black powder coated
Weight (w/o batteries)	1.20 kg

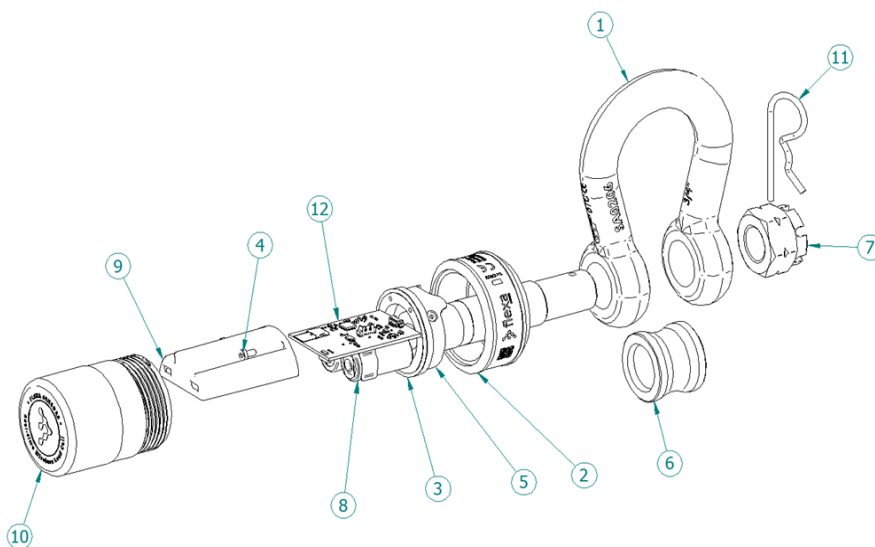
Electronics

Load detection	Every second
Minimum Transmission Rate	Every second
Optimized Transmission Rate	According to the load status (when the load stabilizes, the rate decreases)
Radio frequency ① Range	868MGz
(cell / gateway) ②	Up to 600m - in line of sight, unobstructed (longer distances using Repeater)
Data Conveyor ③	Gateway Flexa Control Line
Data management and GUI	Software Flexa Control su PC
Batteries	2 x CR 123
Expected battery life ③	5000/7000h
Reverse polarity protection circuit	Yes

① 868MHz in Europe and many other EMEA countries. ||||| For more information about coverage in other countries, please visit www.flexasensors.com

② See next page

③ The duration of the batteries strongly depends on how often the data are transmitted.

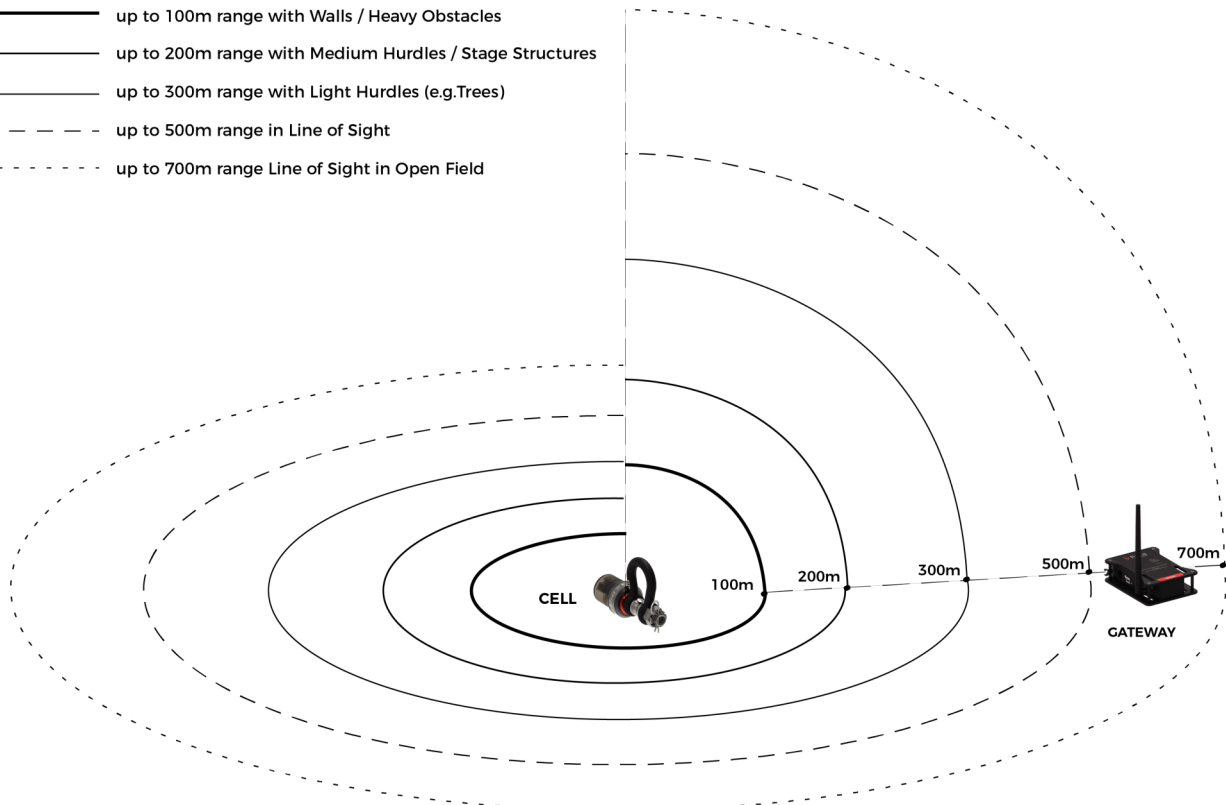


List of parts

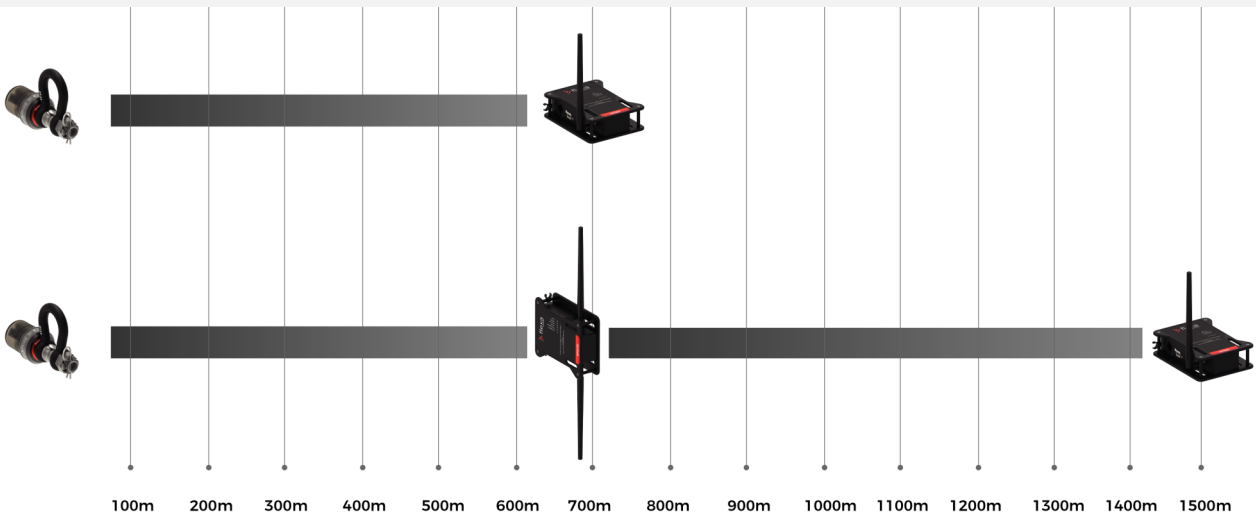
Part	Description
1	Shackle
2	Aluminum Cylindrical Nut
3	O-Ring Seal
4	DIN7984 M3x6 Screw
5	Pin Load Cell
6	Bobbin
7	M20 Crown Nut
8	2 x CR123 Lithium Batteries
9	PCB Holder
10	Cylindrical Cap
11	Cotter Pin
12	Load Cell PCB

Range

- up to 100m range with Walls / Heavy Obstacles
- up to 200m range with Medium Hurdles / Stage Structures
- up to 300m range with Light Hurdles (e.g.Trees)
- - - - up to 500m range in Line of Sight
- - - - up to 700m range Line of Sight in Open Field



The maximum range of any wireless system depends on the propagation conditions: If the propagation between the cell and the Gateway is in line of sight, the maximum range achievable with our system is about 600 meters. In the graph we have simulated the limitations due to various types of obstacles. Data are taken from field tests and theoretical calculations and are intended for guidance. Actual performance will be determined by site conditions



In case it is necessary to cover longer distances or there are large obstacles to overcome, it is possible to add Repeaters, which can be located as far as 600 meters from the cells and 700 meters from the Gateway. It is not possible to connect multiple Repeaters in series: each Repeater needs a direct connection to the Gateway

The data shown may vary without notice. Please visit our website for any updates

www.flexasensors.com

Manufactured in Italy by Conset Srl - Distributed by Area Four Industries Italia Srl - www.areafourindustries.it