



Model Reference # CSH475

Order code # LT XFW-CSH475Z1

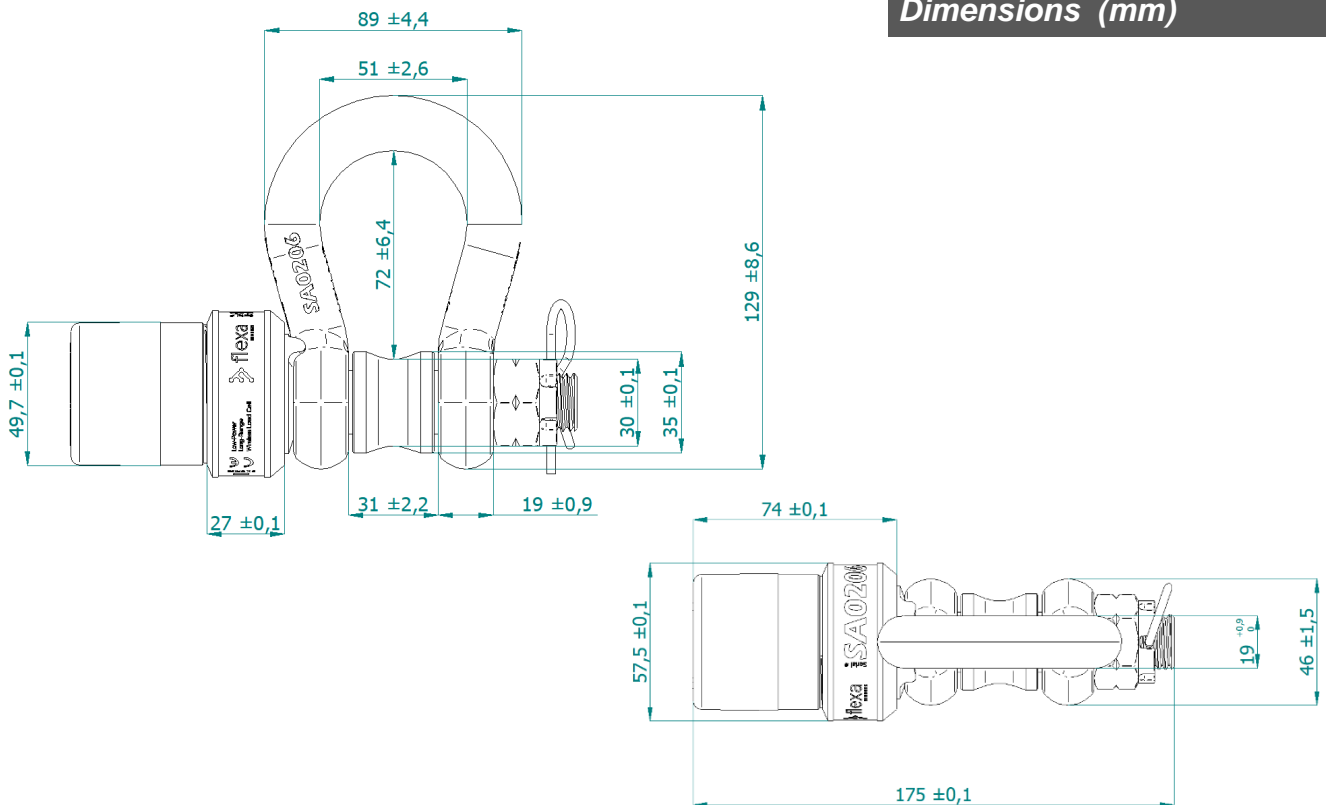
WIRELESS LOAD CELL - CONTROL LINE - 4.75t SHACKLE VERSION - RAW FINISH

System designed to measure loads in real time with reading every second. Battery-saving strategy increasing transmission interval when load is stable. The cells transmit the data to a Gateway which can be connected to a PC with a USB cable. The distances between the cells and the Gateway depend on environmental conditions (typically up to 600m in line of sight).

Versions available

LT XFW-CSH475Z1	Shackle version - 4,75t - hot galvanized finish - Frequency 868MHz
LT XFW-CSH475B1	Shackle version - 4,75t - black powder coated- Frequency 868MHz
LT XFW-CSH325Z1	Shackle version - 3,25t - hot galvanized finish - Frequency 868MHz
LT XFW-CSH325B1	Shackle version - 3,25t - black powder coated- Frequency 868MHz

Dimensions (mm)



Main body

Shackle Manufacturer	Van Beest B.V. (NL)
Load cell pin	Steel - 17-4 PH H925
Bobbin	Steel - 17-4 PH H925
WLL	4,75t
Safety factor	5:1 (with Bobbin)
Aluminum Cylindrical Nut	Anodized aluminum with permanent laser engraving
Cylindrical Cap	Semi-transparent polycarbonate
Load accuracy	35kg or +/- 2% of maximum load
Periodic calibration	Every 2 years or every 7000 hours of service
IP protection level	IP67: Protected against ingress of dust and can withstand full immersion up to 1 meter for 30 minutes without any filtration
Finishing	Hot galvanized finish
Weight (w/o batteries)	1.20kg

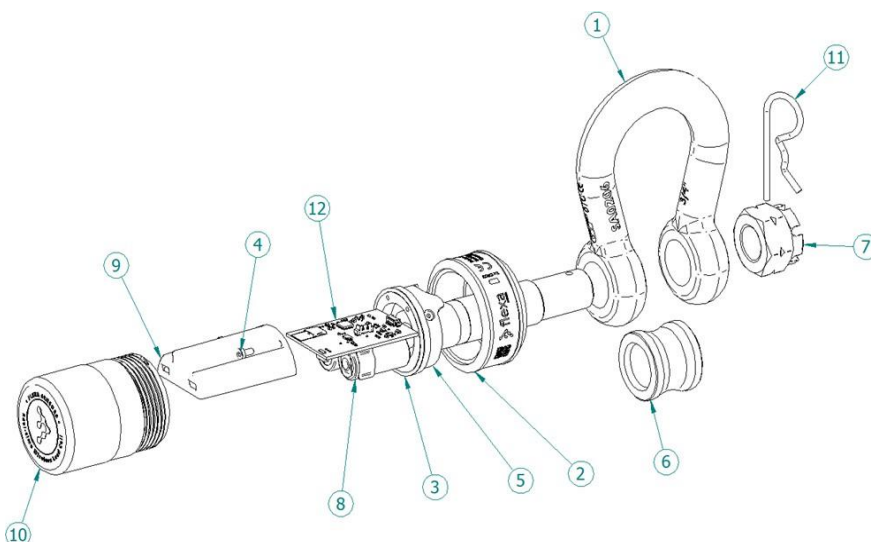
Electronics

Load measurement Maximum	Every second
Transmission Rate Optimized	Every second
Transmission Rate Radio	According to the load status
frequency ①	(when the load stabilizes, the rate decreases)
Range (cell / gateway) ②	Sub-1GHz
Data acquisition system	Up to 600m - in line of sight, unobstructed
Data management and GUI	(longer distances using Repeater)
Batteries	Gateway Flexa Control Line
Expected battery life ③	Flexa Control Software on PC connected to Gateway
Reverse polarity protection circuit	2 x CR 123
	5000/7000h
	Yes

① Sub-1GHz- 868MHz for EMEA version, 915MHz for American version
(More details and complete list of countries on www.flexasensors.com)

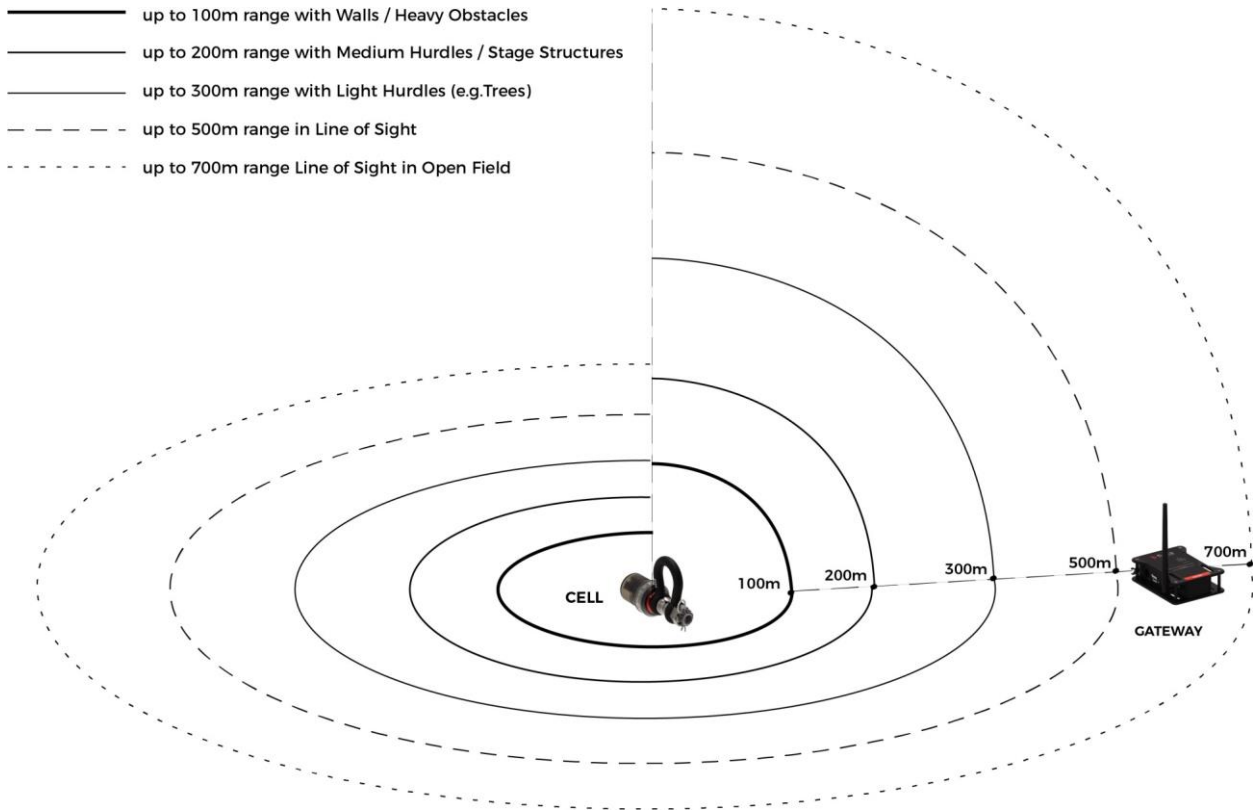
② See next page

③ The duration of the batteries strongly depends on how often the data are transmitted.

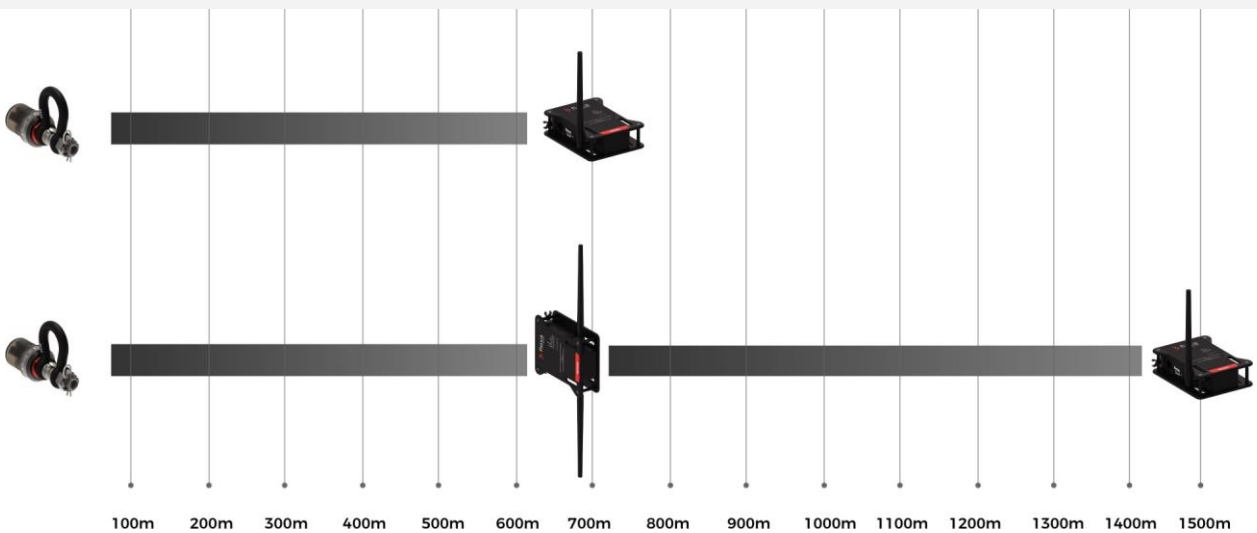


Part	Description
1	Shackle
2	Aluminum Cylindrical Nut
3	O-Ring Seal
4	DIN7984 M3x6 Screw
5	Pin Load Cell
6	Bobbin
7	M20 Crown Nut
8	2 x CR123 Lithium Batteries
9	PCB Holder
10	Cylindrical Cap
11	Cotter Pin
12	Load Cell PCB

Range



The maximum range of any wireless system depends on the propagation conditions: If the propagation between the cell and the Gateway is in line of sight, the maximum range achievable with our system is about 600 meters. In the graph we have simulated the limitations due to various types of obstacles. Data are taken from field tests and theoretical calculations and are intended for guidance. Actual performance will be determined by site conditions.



In case it is necessary to cover longer distances or there are large obstacles to overcome, it is possible to add Repeaters, which can be located as far as 600 meters from the cells and 700 meters from the Gateway. It is not possible to connect multiple Repeaters in series: each Repeater needs a direct connection to the Gateway.

The data shown may vary without notice. Please visit our website for any updates

www.flexasensors.com

Manufactured in Italy by Conset Srl - www.conset.it - Distributed by Area Four Industries Italia Srl - www.areafourindustries.it