

ERSATZTEILE | STROMLAUFPLÄNE

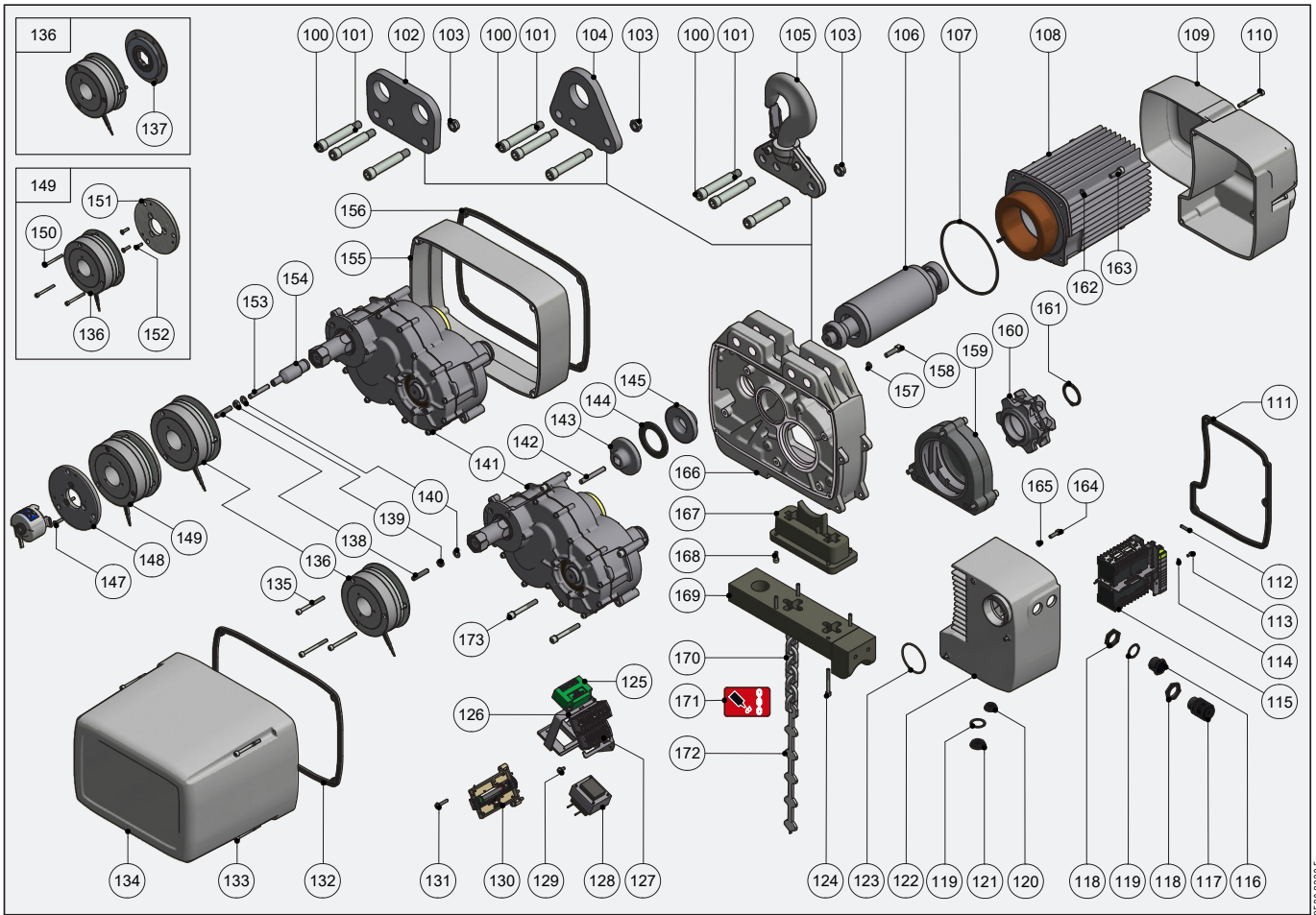
LP 1600/2500



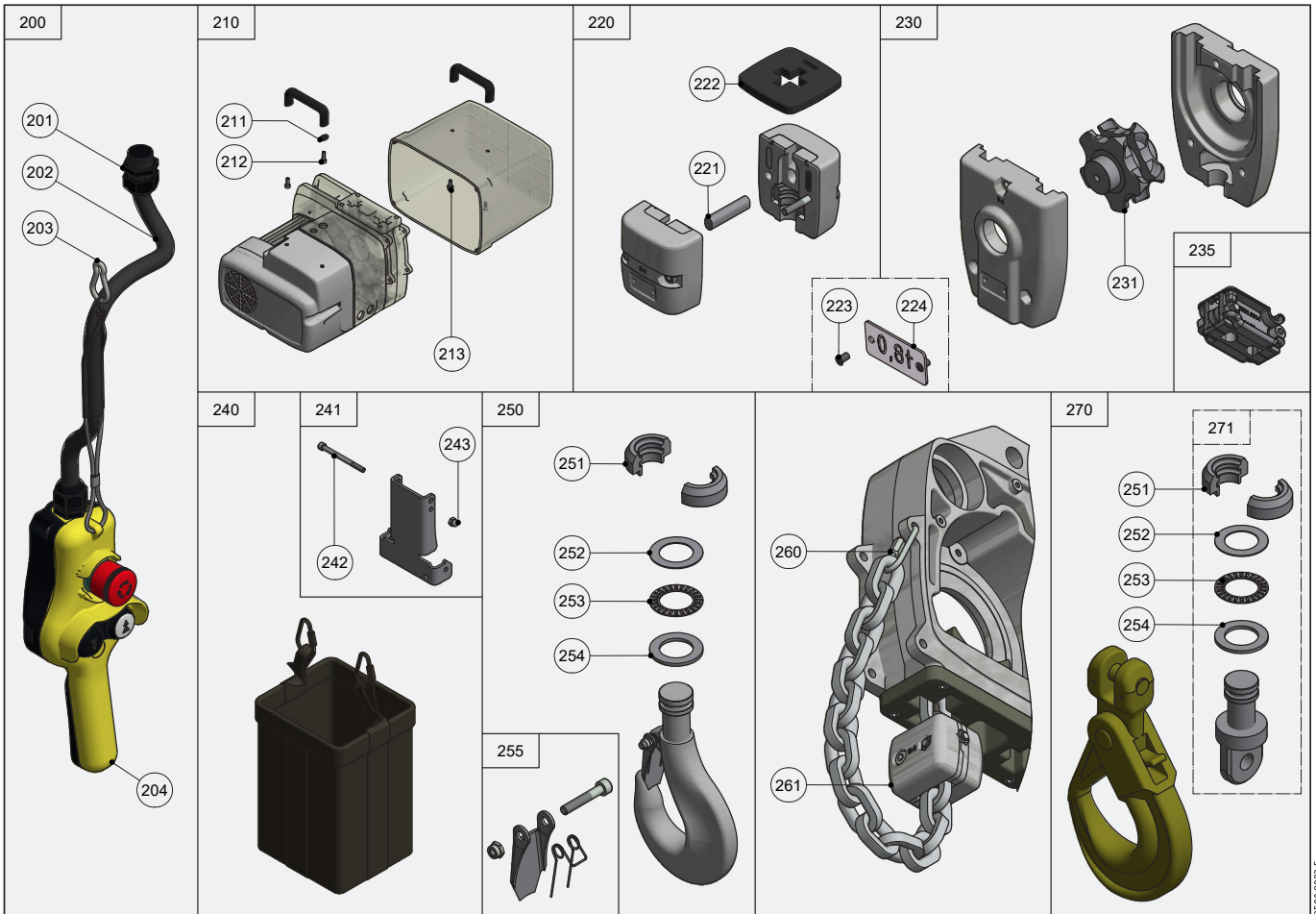
Spare parts | Pièces de rechange | Onderdelen | Reservedele | Varaosat | Pezzi di ricambio
Reservedelen | Peças | Reservdelar | Piezas de recambio | Запасные части

Circuit diagrams | Schéma de connexions | Stroomschema | Kredslobsdiagrammer
Kytentäkaavio | Aansluitschema | Schema elettrico | Koplingskjema | Esquema electrico
Elschema | Esquema eléctrico | Принципиальные электрические схемы





9520 9224.5



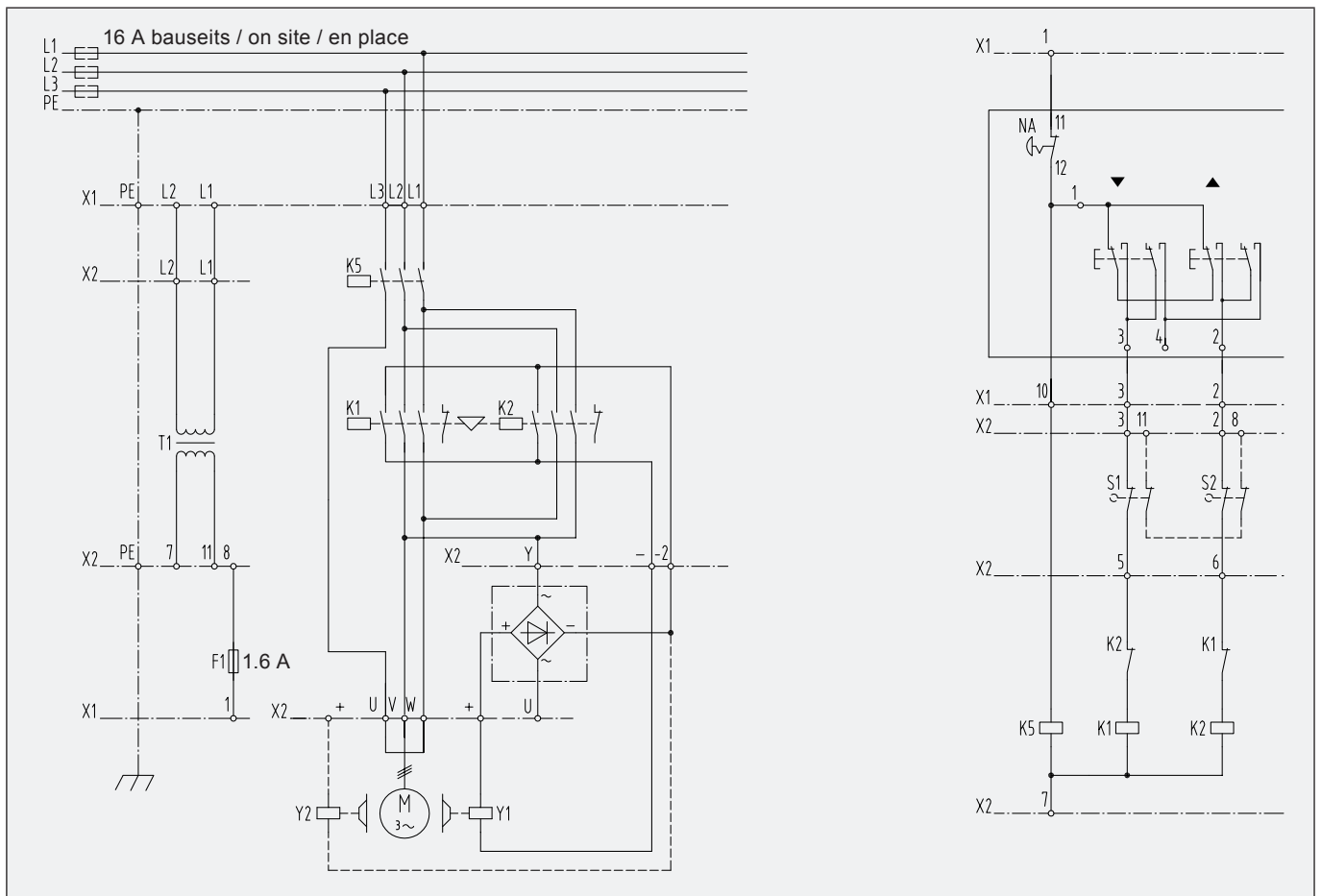
9520 9225.5

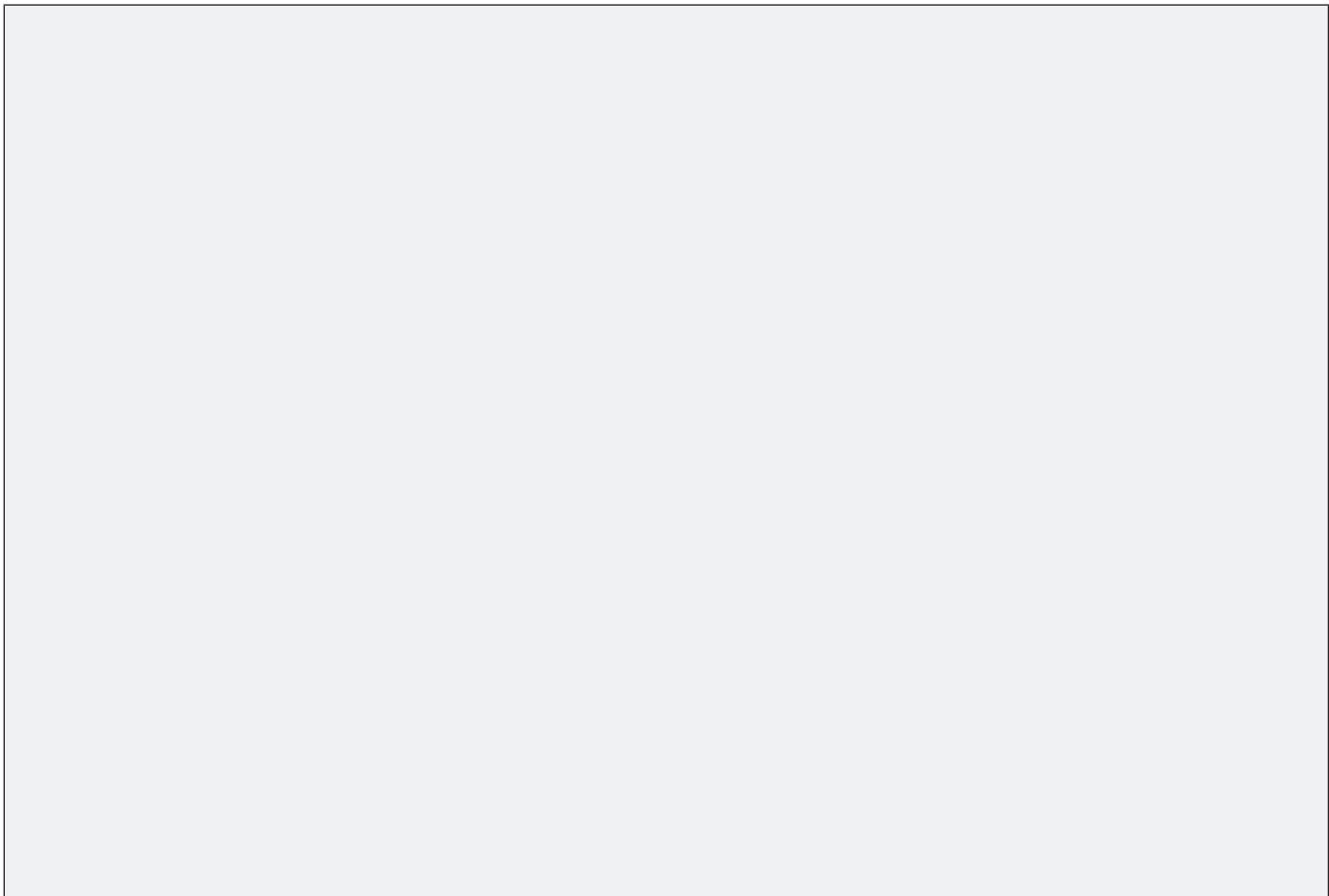
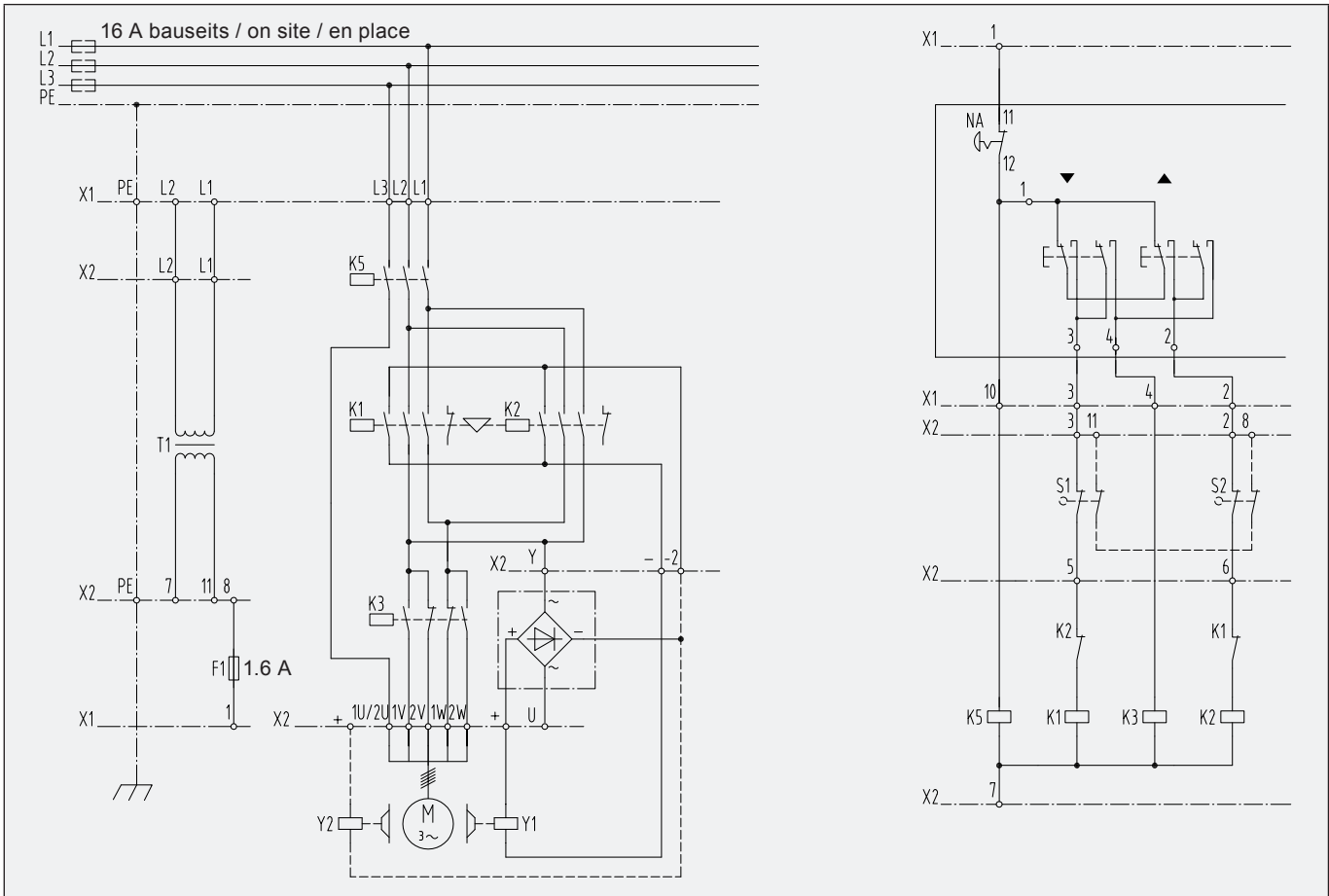
		LP 1600	LP 2500
100	M16 x 110/44	9030.0352	9030.0352
101	ø20/2 x 87	9521.3034.4	9521.3034.4
102*	209.9 x 140 x 15	9408.3020.3	
	209.1 x 140 x 20		9521.3027.3
103	M16	9031.1281	9031.1281
104*	186 x 169.9 x 20	9408.3019.3	
	203.9 x 166.7 x 20		9521.3028.3
105*	210 x 166	9408.3070.3	
	283 x 204		9521.3039.4
106	2t, L=170	9520.3107.3	9520.3107.3
	1t, L=120	9520.3106.3	9520.3106.3
107	ø156 / ø149 x 2.5	9515.3054.4	9515.3054.4
108	2p, 3 x 230/400V 50Hz		9527.0250.3
	2p, 3 x 460V 60Hz, CSA		9527.0250.3
	2/8p, 3 x 230V 50Hz	9527.0351.3	9527.0351.3
	2/8p, 3 x 400V 50Hz	9527.0350.3	9527.0350.3
	2/8p, 3 x 460V 60Hz, CSA	9527.0350.3	9527.0350.3
	4p, 3 x 230/400V 50Hz	9527.0150.3	9527.0150.3
	4p, 3 x 460V 60Hz, CSA	9527.0150.3	9527.0150.3
109	245.5 x 354.5 x 161	9520.3007.2	9520.3007.2
110	M6 x 60/24 N	9030.0339	9030.0339
111*	214.5 x 246 x 6	9520.3033.3	9520.3033.3
112	1.6A UL	9052.0012	9052.0012
113	M4 x 8	9030.0325	9030.0325
114	4.3/8 x 0.8	9031.3706	9031.3706
115	90 x 105 x 92.5, PMS	9527.1206.3	9527.1206.3
	90 x 105 x 92.5	9527.1205.3	9527.1205.3
	1t, 42V	9517.1006.2	9517.1006.2
	1t, 110V	9517.1004.2	9517.1004.2
	1t+NA, 42V	9517.1000.2	9517.1000.2
	2t+NA, 42V	9517.1100.2	9517.1100.2
116	M25 x 1.5	9055.3517	9055.3517
117	M25 x 1.5	9055.3103	9055.3103
118	M25	9055.4013	9055.4013
119	ø29.5 / ø23.2 x 1	9040.2511	9040.2511
120	M20 x 1.5	9055.3512	9055.3512
121	M25 x 1.5	9055.3513	9055.3513
	M25 / M20	9055.2506	9055.2506
	M20	9055.3124	9055.3124
122	226.7 x 243.8 x 137.5	9520.3006.2	9520.3006.2
123	ø59 x 2.5 NBR 70	9035.0034	9035.0034
124	M6 x 55 T	9030.0349	9030.0349
125	PMG 580-S	9050.4124	9050.4124
126	M4 x 12	9030.0252	9030.0252
	M4	0031.0035	0031.0035
	M4	9031.3228	9031.3228
127	1t / 2t, max. 580V	9527.1200.3	9527.1200.3
	DC	9512.1201.3	9512.1201.3
128	400/42V 50/60Hz	9056.4701.4	9056.4701.4
	230/460//42V 50/60Hz, CSA	9056.4741.4	9056.4741.4
129	M5 x 10	9030.0027	9030.0027
130	103 x 84 x 41	9500.3069.3	9500.3069.3
	103 x 84 x 41 + NA	9500.3071.3	9500.3071.3
131	M5 x 25	9030.0022	9030.0022
132*	350 x 239.5 x 7.5	9520.3034.3	9520.3034.3
133	M6 x 60/24 N	9030.0339	9030.0339
134	348 x 237.5 x 285	9520.3085.3	9520.3085.3
135	M6 x 60/24	9030.0282	9030.0282
136	22.5Nm, 200-240VAC 50/60Hz	9050.4117	9050.4117
	22.5Nm, 360-420VAC 50/60Hz	9050.4118	9050.4118
	22.5Nm, 440-480VAC 50/60Hz	9050.4119	9050.4119
	22.5Nm, 500-575VAC 50/60Hz	9050.4120	9050.4120
137*	ø128 x 11.8	9405.3286.4	9405.3286.4
138	M8 x 40	9030.2018	9030.2018
139	M8	0031.0008	0031.0008
140	ø8.4 / ø16 x 1.6	0031.0578	0031.0578
141	300.6 x 219.1 x 305.8, -N	9520.3020.2	9520.3020.2
	300.6 x 219.1 x 305.8, -S	9520.3022.2	9520.3022.2
	300.6 x 219.1 x 305.8, -B		9520.3023.2
142	ø8 x 65	9031.5862	9031.5862
143*	ø76 x 28	9520.3062.3	9520.3062.3
144*	ø75 / ø51 x 5	9520.3061.4	9520.3061.4
145*	ø75 x 29	9520.3063.3	9520.3063.3
147	M6 x 20	9030.1802	9030.1802
148	ø130 x 8	9520.3192.4	9520.3192.4
149	22.5Nm, 200-240VAC 50/60Hz	9520.3128.4	9520.3128.4
	22.5Nm, 360-420VAC 50/60Hz	9520.3129.4	9520.3129.4
	22.5Nm, 440-480VAC 50/60Hz	9520.3130.4	9520.3130.4
150	M6 x 60/24	9030.0282	9030.0282
151	ø130 x 8	9405.3248.4	9405.3248.4
152	M6 x 20	9030.1802	9030.1802
153	ø8 x 50	0031.5771	0031.5771
154	ø26.5 x 88, M6	9515.3191.4	9515.3191.4
155	350 x 239.5 x 80	9520.3012.2	9520.3012.2
156*	350 x 239.5 x 7.5	9520.3034.3	9520.3034.3
157	M8	9031.3904	9031.3904
158	M8 x 30	9030.0288	9030.0288
159*	166 x 191 x 38.5	9520.3055.4	9521.3055.4
160*	ø112 x 57	9520.3030.1	9521.3030.1
161	DIN 471, 42 x 1.75	9031.2015	9031.2015
162	M8	9031.3904	9031.3904

		LP 1600	LP 2500
163	M8 x 25	9030.0287	9030.0287
164	M6 x 20	0030.9230	0030.9230
165	ø10.5 / ø6.5 x 3	9040.2508	9040.2508
166	308 x 370 x 80	9520.3000.2	9521.3000.2
167*	176 x 75 x 97.5	9520.3008.2	9521.3008.2
168	M6 x 16	9030.0322	9030.0322
169*	75 x 40 x 281	9520.3073.4	9521.3073.4
170*	9.4 x 27.4	9039.0031	
	11.75 x 32.9		9039.0032
171	0.1 I	9041.0007	9041.0007
172	308 x 31 x 5 (9.4)	9041.6037	
	367 x 41 x 5 (11.75)		9041.6038
173	M8 x 65/28 T	9030.0345	9030.0345
200*	2K NA 3 m	9290.1086.3	9290.1086.3
	2K NA 4 m	9290.1087.3	9290.1087.3
	2K NA 5 m	9290.1088.3	9290.1088.3
	2K NA 6 m	9290.1089.3	9290.1089.3
	2K NA 7 m	9290.2014.3	9290.2014.3
	2K NA 8 m	9290.1090.3	9290.1090.3
	2K NA 10 m	9290.1091.3	9290.1091.3
	2K NA 12 m	9290.1092.3	9290.1092.3
	2K NA 15 m	9290.1093.3	9290.1093.3
	2K NA 20 m	9290.1094.3	9290.1094.3
201*	M20 x 1.5	9055.3102	9055.3102
202*	5 x 0.75 mm ²	9055.0110	9055.0110
203	ø4 x 40	9031.8007	9031.8007
204*	2K NA	9290.2000.3	9290.2000.3
210*	260 x 120 x 155	9520.3131.2	9520.3131.2
211	16 x 26 x 5	9520.3147.4	9520.3147.4
212	M8 x 25	9030.0287	9030.0287
213	M8 x 20	9030.0286	9030.0286
220*	94 x 94 x 111	9520.3095.2	
	113 x 113 x 140		9521.3076.2
221*	11 x 15.8 x 59	9520.3072.4	
	13.5 x 17.8 x 59		9521.3072.4
222*	90 x 89 x 15.6	9520.3065.3	9520.3065.3
223	ø3 x 5	9031.6604	9031.6604
224	0.8 t	9220.3473.4	
	1 t	9220.3474.4	
	1.25 t	9220.3475.4	9220.3475.4
	1.6 t	9220.3476.4	9220.3476.4
	2 t	9221.3412.4	9221.3412.4
	2.5 t	9230.3226.4	9230.3226.4
	3.2 t	9230.3227.4	9230.3227.4
	5.0 t		9235.3064.4
	6.3 t		9521.3077.4
230	230 x 170 x108		9521.3070.1
231	119 x 90		9521.3035.3
235	44 x 36 x 70		9521.3014.4
240	192 x 212 x 420, S, 1600/10, 2500/6	9520.3109.3	9520.3109.3
	192 x 212 x 590, M, 1600/16, 2500/12	9520.3110.3	9520.3110.3
	192 x 212 x 880, L, 1600/32, 2500/26	9520.3111.3	9520.3111.3
	192 x 212 x 940, XL, 1600/35, 2500/28	9520.3112.3	9520.3112.3
241	173 x 141 x 43	9520.3113.3	9520.3113.3
242	M8 x 100/24	9030.0319	9030.0319
243	M8	9031.1052	9031.1052
250*	209 x 127.7	9408.3161.4	
	243 x 148		9521.3023.3
251	24 x 47 x 23.7	9235.3107.4	
	28.25 x 52 x 35		9521.3020.4
252*	ø47 x ø30 x 1	0038.3128	
	ø52 x ø35 x 1		0038.3126
253*	DIN 5405-T2 AXK3047	9038.0252	
	DIN 5405-T2 AXK3552		9038.0253
254*	ø47 x ø30 x 3	9038.1750	
	ø52 x ø35 x 3.5		9038.1765
255*	s=2.0	9220.3482.4	
	s=3.0		9521.3025.4
260	ø6	9039.0413	9039.0413
261	70 x 59 x 60	9520.3013.2	
	70 x 65 x 66		9521.3013.2
270*	247 x 138.1 x 43, A603	9408.3154.4	
	247 x 138.1 x 43, A603		9521.3063.4
271*	ø47 x 107	9408.3120.4	
	ø52 x 123.5		9521.3062.4

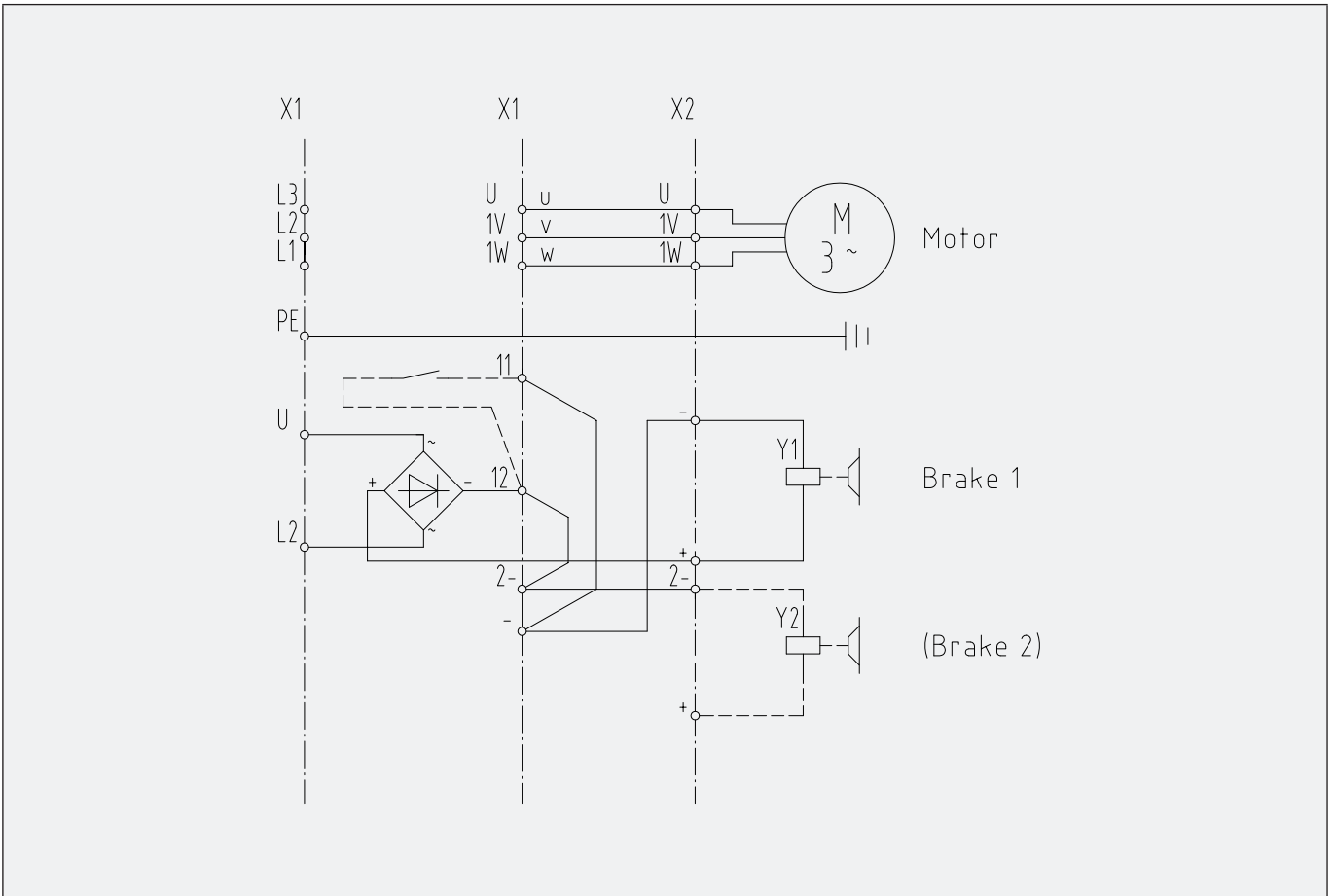
Schützensteuerung Contactor control Commande par contacteurs	1 Geschwindigkeit mit Not-Aus, 2. Bremse, 2+2 ES 1 speed with emergency stop, 2nd brake, 2+2 ES 1 vitesse avec marche-arrêt, 2ème frein, 2+2 ES	9510.9504.3 / 3 Ph	
	2 Geschwindigkeiten mit Not-Aus, 2. Bremse, 2+2 ES 2 speeds with emergency stop, 2nd brake, 2+2 ES 2 vitesses avec marche-arrêt, 2ème frein, 2+2 ES	9510.9505.3 / 3 Ph	
ohne Schützensteuerung without contactor control sans commande par contacteurs	1 Geschwindigkeit mit 2. Bremse 1 speed with 2nd brake 1 vitesse avec 2ème frein	9500.9512.4 / 3 Ph	
	1 Geschwindigkeit mit 2. Bremse, PMS 1 speed with 2nd brake, PMS 1 vitesse avec 2ème frein, PMS	9500.9505.4 / 3 Ph	
F	Steuersicherung	Control fuse	Fusible de commande
K	Schütz	Contactor	Contacteur
L	Zuleitung	Power supply	Alimentation électrique
N	Nullleiter	Neutral	Neutre
NA	Not-Aus	Emergency stop	Marche-arrêt
PE	Erdung	Earth	Mise à la terre
S	Schalter	Switch	Interrupteur
T	Transformator	Transformer	Transformateur
U, V, W	Motor	Motor	Moteur
X	Klemmenleiste	Terminal strip	Bornier de raccordement
Y	Bremse	Brake	Frein

9510.9504.3 / 3 Ph





9500.9512.4 / 3 Ph



9500.9505.4 / 3 Ph

