

SIEM-111

Stereo In Ear Monitoring System

SIEM-111T

UHF PLL Single Channel Transmitter

- * The SIEM-111 System features reliable JTS UHF PLL technology.
- * There are 961 selectable UHF channels available. As many as 16 sets of SIEM-111T transmitters can operate on the same stage.
- * The system offers 4 groups, with each group having 16 compatible preset channels to choose from. This allows the monitor engineer to set up systems quickly and easily.
- * MPX Stereo Audio Transmission / Reception, switchable to Mono operation if desired.
- * All metal case construction on the SIEM 111R and SIEM 111T.
- * The JTS advanced circuitry assures outstanding signal-to-noise ratio.
- * IE-1 and IE-6 earphones seal off the ear canal with JTS designed Dyna-Driver ear buds which reduce undesired stage noise, ambient sound levels.
- * 3 pairs of different sized Silicon sleeves included with the IE series earphones ensure a right fit for the users ear canal and comfort.

Carrier Frequency Range: 470 ~ 960 MHz
RF Output Power: 10 mW
Nominal Frequency Deviation (modulation): ± 40KHz
Audio Input Impedance: 20kΩ
Nominal Input Level: -10 DBV; 0 dBV (ATT-10 dBV)
Maximal Input Level: 1 0 dBV; 20 dBV (ATT-10 dBV)
LCD Display: AF Level, Stereo / Mono, Attenuation Level, Group, Channel, Frequency
Audio Input Connector: 2 x Balanced XLR / Ø6.3mm phone Combo Socket
Audio Output Connector: 1 x 1/8" Stereo Phone Jack 1 x 1/4" Stereo Phone Jack
Loop Out Connector: 2 x Balanced Loop Out Socket
Switching Power Supply: 100-240V Switching power supply



SIEM-111T

SIEM-111R

UHF PLL Body-Pack Receiver

Carrier Frequency Range: 470 ~ 960 MHz
Input Level Select Switch: 0dB / -10dB
Earphone Output: 60 mW
Minimum Load Impedance: 16Ω
LCD Display: RF Level, Lock-On, Battery Fuel Gauge, Stereo / Mono, HF booster, Dynamic Limiter, Group, Channel, Mute, Frequency
Output Connector: 1/8" Stereo Phone Jack
Power Supply: 2 AA batteries
Operation Hour: Over 12 hours

System Specifications
S / N Ratio: 80 dB (A Weighted)
Image Rejection: 80 dB
Channel Separation: 35 dB
Frequency Response: 60 ~ 15,000 Hz (-3dB)
T.H.D.: 1% Typical
Frequency Stability: ± 10KHz



IE-6  Monitoring Earphone



IE-5  Monitoring Earphone



SIEM-111R
 IE-1  Monitoring Earphone

SIEM-2

Mono In Ear Monitoring System

SIEM-2T

Mono In Ear Monitor Transmitter

This affordable in ear monitor has been waited for long time as more performers used to having in ear monitor instead of relying on wedges. The SIEM-2 breaks the price barrier for every musician.

- * Developed with JTS advanced wireless technology.
- * Wired and wireless design for ambience.
- * UHF PLL 16 selectable channels.
- * Over 60 meters of stable operation distance.
- * Outstanding signal to noise ratio.
- * Light weight engineering plastic chassis.
- * Built in limit to protect hearing.
- * Very affordable.
- * Ø6.3mm Line / mic input.

Carrier Frequency Range: 502~ 960 MHz
RF Output Power: 10 mW
Nominal Frequency Deviation (modulation): ± 40KHz
Audio Input Impedance: 20kΩ
Nominal Input Level: -20 DBV
Maximal Input Level: 0 dBV
LED Display: AF Level, Channel
Audio Input Connector: 2 x Balanced XLR
Loop Out Connector: 2 x Ø6.3mm Balanced Loop Out Socket
Operation Voltage: 12-18 VDC, 300 mA

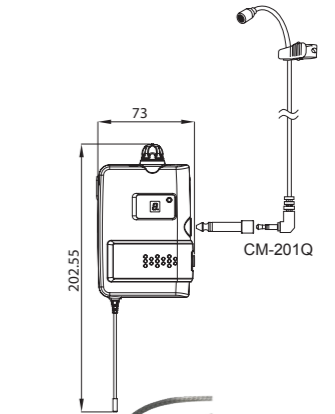



SIEM-2T

SIEM-2R

Mono In Ear Monitor Receiver

Frequency Preparation: PLL Synthesized Control
Carrier Frequency Range: 470~ 960 MHz
LED Display: Channel
Controls: Power On / Off, Channel selection, Volume control
Audio Frequency Response: 40 ~ 18,000 Hz
Output connector: 1/8" Dummy stereo Phone Jack
Battery life: 14 hours typical
Battery: 2 AA batteries



SIEM-2R
 IE-6  Monitoring Earphone



SIEM-2R
 IE-1  Monitoring Earphone



SIEM-2R
 IE-5  Monitoring Earphone