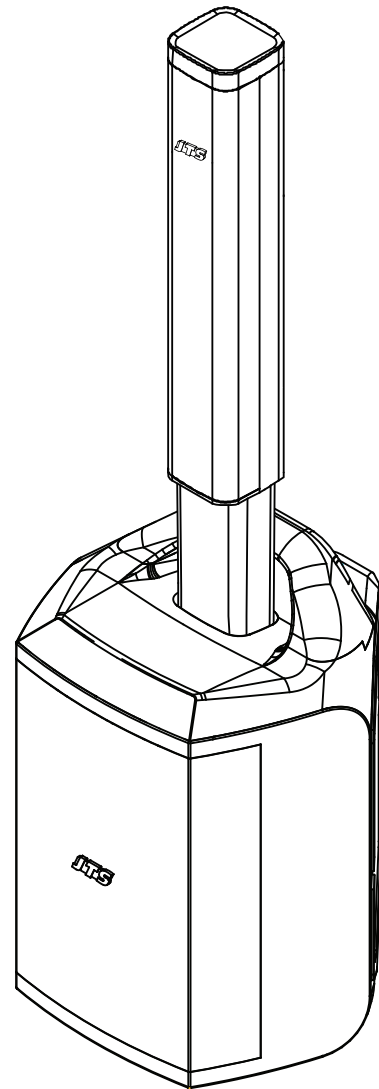
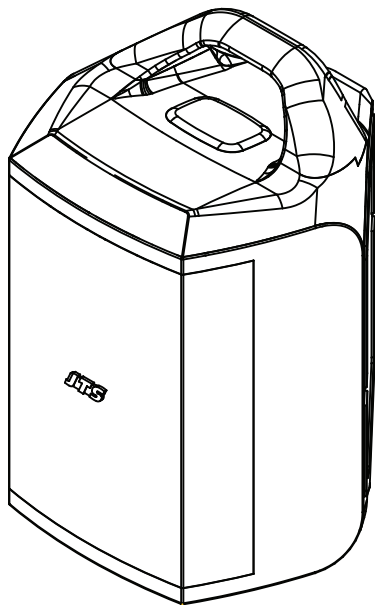


WA-1 Multi-Position Portable Sound System

JTS®

- Exclusive wireless receiving features 4 channels for instrument and vocal performance
- Designed for small to medium scale events : concerts, conference...etc
- Compact form factor for various occasions
- Active two-way speaker system delivers powerful and clear sound
- Enjoy stereo output with dual speaker pairing
- Compatible with wireless handheld transmitters or other 81CH transmitters
- Rechargeable lithium-ion battery supports up to 8 hours performance
- Line-arrayed mid-treble driver
- High voltage output
- Bluetooth playback design
- Up to 81 selectable channels
- Come standard with TH-1D handheld transmitter
- Enhance audio performance with column speaker (optional)



SPECIFICATIONS

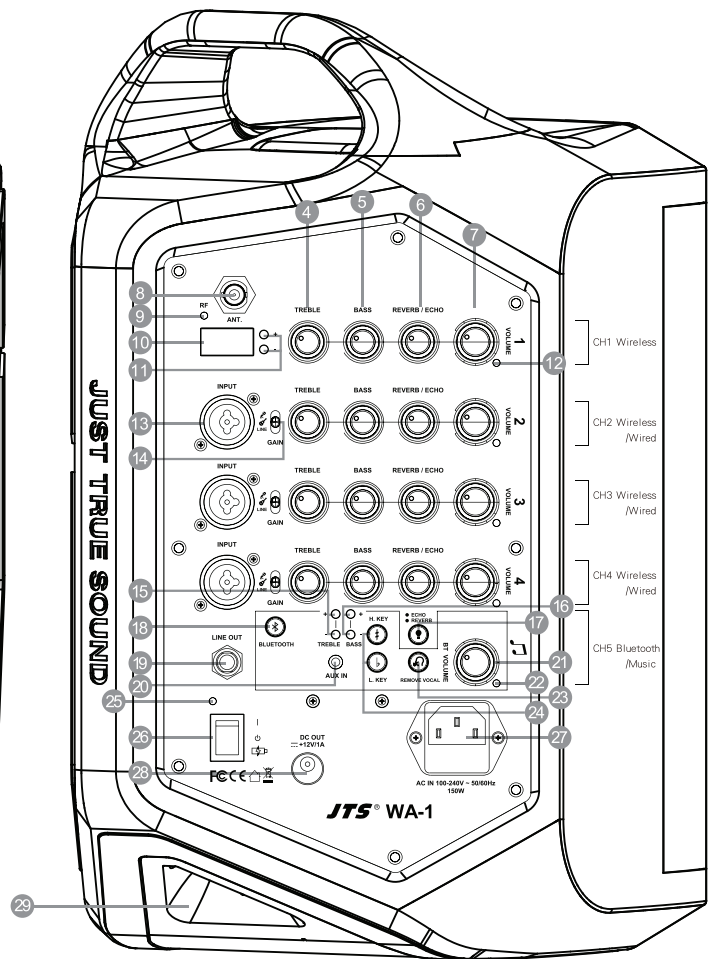
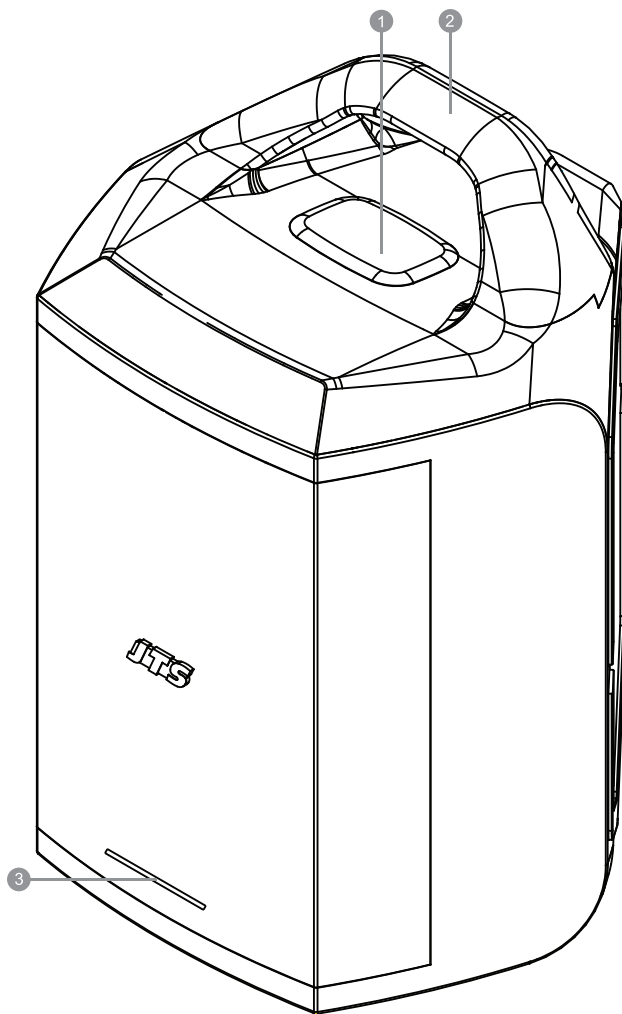
Frequency oscillation mode	PLL Phase-Locked Loop
Carrier frequency range	470~960MHz
Channel display mode	Dual 7-segment display 11~99
AC power	96~240Vac (recommended above 150W)
Lithium battery	14.4V/5200mAh (charging time is about 5 hours / fast charging is 3 hours)
Speaker	1 for 6" woofer + 3 for 2.5" tweeters
Built-in audio playback	Bluetooth music player
COMBO input impedance	10KΩ
THD+N	<0.1% (1KHz @ 1W)
Power consumption	150W
S/N ratio	>98 dB
Tone Control	Treble: ±10dB @ 10KHz /Bass: ±10dB @ 100Hz
Frequency response	50~20,000Hz
Dimensions (mm)	290(W)*400(H)*290(D)mm
Weight	8 kg



JTS® PROFESSIONAL CO., LTD.
No. 148, 9th Industry Road, Ta-Li Industrial Park,
Taichung City, Taiwan.
Tel: 886-4-24938803 Fax: 886-4-24914890
E-mail: jts@jts.com.tw www.jts.com.tw



xxxxx-xxx-01



WA-1 Instruction

- 1 **Input Hole For Treble Column Speaker** : If you choose a treble column speaker for your device, please remove the top cover of the input hole and plug in the column speaker for use. *Note: The system would automatically shut down its original treble speaker after plugging in the column speaker.*
- 2 **Handle** : Making it easy for you to move, grab or change the position of the product.
- 3 **Front Light** : If the device is in general status, the color of the light would be blue. And if the Bluetooth receiver activates the TWS function, the light would turn red when the speaker is on the right channel. If the speaker is on the left channel, the color of the light would be green.
- 4 **Treble Adjusting Knob (CH1~CH4)** : Rotate the knob to adjust the treble of the channel. Please rotate the knob clockwise to increase the treble and counterclockwise to decrease it.
- 5 **Bass Adjusting Knobs (CH1~CH4)** : Rotate the knob to adjust the bass of the channel. Please rotate the knob clockwise to increase the bass and counterclockwise to decrease it.
- 6 **Audio Volume Control Knobs (CH1~CH4)** : Rotate the knob to adjust the reverb (or echo) volume of the channel.
- 7 **Volume Knob (CH1~CH4)** : Rotate the knob to adjust the volume level of the channel.
- 8 **CH1 Antenna** : CH1 antenna connection holder with a built-in wireless receiver.
- 9 **RF Indicator Light** : If the device receives RF signal of valid channel, the light would be on for indication.
- 10 **Two-Bit Seven-Segment Display** : This is a multi-function display with the function described as below :
 - (1) In the general status, CH1 would be the default receiving channel. The first digit indicates the number of the group and the second digit indicates the channel. If the number of the channel is adjusted upwards beyond the maximum, the number of the group will be automatically +1 and vice versa. The minimum for the number of the group is 11 and the maximum is 99.
 - (2) If you press the treble/bass 15 16 of CH5 lightly, the Dot light of the seven-segment display would start to flash, showing the setting value of the CH5 treble 15 or CH5 bass 16 setting. After you set up the value, the display would stop changing for 3 seconds, then turn into a flash mode, indicating that the system is saving the setting. The display of the wireless receiving channel will be restored after 10 seconds.
 - (3) If you press the vocal-removing activation button 22, the Dot light on the seven-segment display would start to flash, showing the setting value of the vocal-removal function. You can press the "switch" button next to the display. After you set up the vocal-removing function, the display would stop changing for 3 seconds, then turn into a flash mode, indicating that the system is saving the setting. The display of the wireless receiving channel will be restored after 10 seconds.
 - (4) If you press the raise/lower pitch button 24, the seven-segment display will first show the current setting value. Then after 3 seconds, the setting value will be saved, and the seven-segment display will show a positive number if you are raising the pitch. Vice versa, the seven-segment display will show a negative number if you are lowering the pitch. If the seven-segment display shows the number of 0, it indicates that there is no adjustment to the pitches.
- 11 **Group Channel Setting** : If you press the button, the Dot light will flash, indicating that the channel is in setting mode.
Press + / - again to set up the group channels. Each press could add/delete 1 channel to the group. If you want to quickly adjust the channel, simply press and hold the button. If you want to switch to the vocal-removing mode, please press + / - to change the options.
- 12 **Signal Indicator (CH1~CH4)** : If there is a signal inputting to the channel, the indicator light would turn green. If the signal is too strong and may cause output distortion, the indicator light would turn red.
- 13 **INPUT Socket (CH2~CH4)** : Our device provides a XLR/φ6.3 mixed input socket with a gain switch 14. You may plug in a wired dynamic microphone, an electric guitar or an R1 wireless receiver to the device.
- 14 **Gain Switch (CH~CH4)** : You could select the appropriate input gain to match different audio sources. MIC: Suitable for devices with weak signal output, such as dynamic microphones. LINE: Suitable for devices with strong signal output, such as an electronic piano. GUITAR: Suitable to collaborate with electric guitars and other instruments to enhance the tone of the instrument.
- 15 **CH5 Treble Setting** : Press the + / - setting button 15 to increase or decrease the treble of CH5, with a control range of +5dB~-5dB. The seven-segment display 10 will show the value of current setting, and if the number shown is 0, it means no adjustment has been made. During your adjustment, the seven-segment display 10 will show the currently setting value, and after 10 seconds, the wireless receiving channel display shall be restored.
- 16 **CH5 Bass Setting** : Press the + / - setting key 16 to increase or decrease the bass of CH5, with a control range of +5dB~-5dB. The seven-segment display 10 will show the value of current setting, and if the number shown is 0, it means no adjustment has been made. During your adjustment, the seven-segment display 10 will show the currently set value, and after 10 seconds, the wireless receiving channel display shall be restored.

- 17 **Function Switch of Sound Effects Unit** : You could change the form of sound effects of CH1 ~ CH4 from the switch. The blue light indicates an echo effect; the green light indicates a reverb effect.
- 18 **CH5 Bluetooth Activation Button** : If you need to use Bluetooth to connect to music devices, you could press this button to activate the Bluetooth function. If the indicator light of the button is in a slow-flash mode, it means that the device is currently waiting to be connected. If the Bluetooth pairing is successful, the speaker will play a cue tone to show that the device is connected. The indicator light is on in general status, indicating a successful connection. When the Bluetooth goes offline, the speaker will play an offline cue tone and the indicator light will switch into a slow-flash mode. If you need to activate the TWS function of Bluetooth, please press and hold the button for 3 seconds after activating the Bluetooth function, and then the device would enter the TWS waiting status. Meanwhile, the indicator light will flash, meaning that it is waiting for the TWS to be paired. As soon as the pairing is successful, the indicator light would change back to the general mode of being always on.
- 19 **LINE OUT Output** : The output signal of CH1~CH5 after mixing is used to connect another WA-1 for power expansion. The signal is also used to output to a recording device for live recording.
- 20 **CH5 AUX Input** : The device contains a φ3.5 stereo input socket for you to connect small audio device outputs to the device, such as MP3 players or CD players.
- 21 **CH5 Volume Knob** : Please rotate this knob to adjust the volume level of the channel.
- 22 **CH5 Signal Indicator** : If there is a signal inputting to the channel, the indicator light would turn green. If the signal is too strong and may cause output distortion, the indicator light would turn red.
- 23 **CH5 Vocal-Removing Activation Button** : If you are playing a song on CH5, please press this button to decrease the volume level of the lead vocal in the music to achieve the function of backing vocals. We provide three optional vocal removing modes for the device, and the seven-segment display 10 would show the which vocal-removing mode you're currently on. Press the channel setting button 11 to switch between different vocal-removing modes such as P0, P1, P2, and P3. You can select the mode that is appropriate for your use. If the seven-segment display 10 shows "P0" on the screen, it indicates that the device is in general mode. If it shows "P1", it shows that it's in a mode that would decrease the vocals of the middle channel. If it shows "P2" on the screen, it means that the vocal of the left channel would be erased; if it's "P3", it means the vocal of the right channel would be erased.
Note: The amount of vocal that is able to be removed from the track shall vary depending on the quality of the recording. This function would not be available if the song is recorded as a mono sound.
- 24 **CH5 Raise/Lower Pitch Button** : When playing music or songs with backing vocals, you can adjust the pitch of the music to match the singer's pitch. The adjustment range covers -4~0~4. If you press the button of raising pitch, the indicator light of raising pitch would flash. If you press the button of lowering pitch, the indicator light of lowering pitch would flash, and the seven-segment display 10 would show the current setting value. The new setting value would be saved after 3 seconds, and if you are adjusting the pitch up, the seven-segment display 10 will be positive and the indicator light of the raise-pitch function would be on. On the contrary, if you are adjusting the pitch down, the seven-segment display 10 is negative and the indicator light of the lower-pitch function would be on. If the value number of the seven-segment display 10 remains 0, it means that there is no change of raising/lowering the pitch. In such case, both of the indicator lights would be off.
- 25 **Charging Indicator** : The power switch 25 in the using mode: If the battery is in charging mode, the indicator light would be flashing green. If the battery is fully charged, the indicator light would turn to green and be continuously on. If the battery level of the device is normal while using only the internal battery and no external power supply, the indicator light would be continuously green. If the indicator light goes red, it indicates that the battery level is low and should be charged by external power supply as soon as possible to prevent the system from shutting down directly.
The power switch 25 in charging mode: If the battery is in charging mode, the indicator light would be flashing green. If the battery is fully charged, the indicator light would go off. Please turn off the power switch and unplug the power cord.
- 26 **Power Switch** : If the switch is in the middle position, the power to the device is off. If you press the switch button upward, you could turn on the power of the product for regular use. If you press the switch button downward, it would only activate the battery charging function for quick charging of the internal battery.
- 27 **AC Socket** : It enables the connection of AC power input. The acceptable specifications of AC power are unidirectional AC 100V~240V.
- 28 **DC Socket** : It provides the +12V/DC/1A DC power output and can be connected to other low power 12V devices.
- 29 **Horn Bracket Hole Of The Speaker** : If you need to elevate the height of the speaker, you can place the bracket behind the speaker and elevate the speaker's height.