

CM-602USB UNIDIRECTIONAL CONDENSER BOUNDARY MICROPHONE

Thank you for choosing JTS unidirectional Condenser Boundary Microphone. In order to obtain the best efficiency, you are recommended to read this manual before using.

Feature

- The boundary microphone is designed for conference, house of worship, and theater applications.
- Internal shock mount minimizes mechanical noise.
- The CM-602USB features dual color LED indicator, membrane ON / OFF switch and back electric cardioid condenser capsule.
- CM-602USB is an USB version of CM-602.

Parts Identification

- ① Power On/Off LED Indicator
- ② Case
- ③ Harden Grill & Capsule
- ④ On / Off Switch
- ⑤ USB Connector : B type , Digital audio interface



Use Instruction

USB connection

Connect to a powered USB port using JTS standard cable. (Figure1)

Push On / Push Off

Press the On / Off Switch for sound pickup and press again to mute.

LED Indicator

Green : MIC OFF (or when USB connected to a powered computer)
Red : MIC ON

Recommendation

1. The microphone should be placed on a flat and unobstructed mounting surface.
2. The sound source should not be below or higher than 60 degree above the level of the mounting surface for efficiency miking. (Figure2)

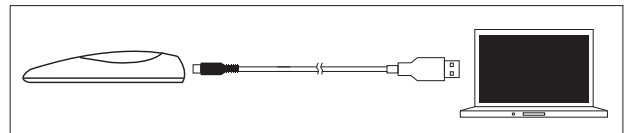


Figure 1

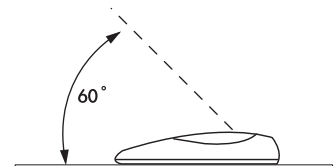
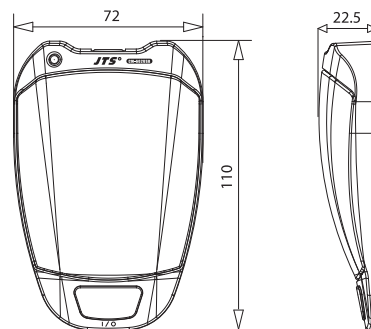


Figure 2

Specification

Capsule Type: Electret Condenser
 USB Connector: B type , Digital audio interface
 Indicator: USB (Mic OFF)....Green
 Mic ON.....Red
 Switch: Push control: ON/OFF
 Sensitivity(at 1000Hz): $-53 \pm 3 \text{ dB} * (2.23\text{mV}) \text{ 0dB} = 1\text{V} / \mu\text{bar}$
 Max. SPL For 1% T.H.D. : 125dB
 Frequency Response: 30~12,000 Hz
 Directional Pattern: Half-Cardioid
 Power consumption: 0.4W
 Dimension (mm): 72mm(W)* 22.5mm(H)*110mm(L)
 Weight: 75g
 Sampling Rate :
 DAC: 32 , 44.1 , 48KHz
 ADC: 8 , 11.025 , 16 , 22.05 , 32 , 44.1 , 48KHz
 Bit Depth: 16-Bit
 USB Type: USB 1.1 / USB 2.0 / USB3.0
 Suitable for Windows

Dimension (m/m)



JTS Professional Co., Ltd.

No.148, Gongye 9th Rd., Dali Dist.,
 Taichung City 41280, Taiwan (R.O.C.)
 TEL: 886-4-24938803 FAX: 886-4-24914890
 WEB: www.jts.com.tw E-mail: jts@jts.com.tw

