

Microphone stand base

ST-5030i Microphone Stand Base



The microphone stand base is designed for the gooseneck microphone to be quickly mounted in position where the microphone is required.

ST-5030i Stand base

1. Features

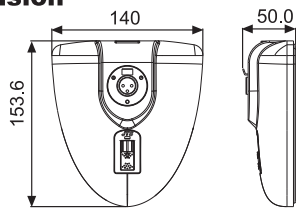
- * Quick mount plug-in cast-metal base.
- * Magnetic reed On/Off switch permits minimum pop noise.
- * Anti-slip rubber pad ensures base to stand on desk top firmly.
- * Mic selecting switch.
- * Switch Available for condenser microphone.
- * Valid for unbalanced dynamic gooseneck mic. and balanced condenser gooseneck mic.



2. Specification

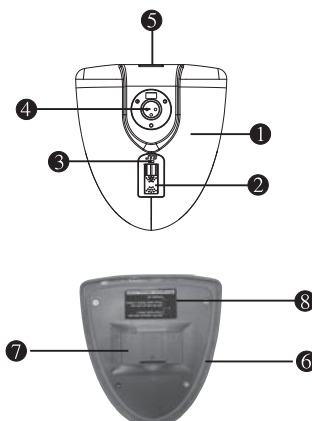
Frequency Response.....	20~20,000 Hz
Power Requirement.....	Phantom power 12~48 V Battery power 1.5V*2
Current Consumption-Stand-by	2.4mA
Current Consumption-Operating	6.6mA
Switches.....	Microphone selection:ECM MIC unbalanced input, ECM MIC balanced input, Dynamic MIC input Magnetic switch: power on/off
Connector.....	Audio output (XLR 3P Male)
Net Weight.....	1.15kg

3. Dimension



4. Parts identification

- ① Stand base
- ② Power On/Off switch to talk
- ③ LED indicator
- ④ Audio input socket (XLR 3P Female)
- ⑤ Audio output socket (XLR 3P Male)
- ⑥ Rubber pad
- ⑦ Battery tray
- ⑧ Selecting switch



5. Installation

Plug the microphone onto the Audio input socket (④), then connect the AF cable to the Audio output socket (⑤) and the other side of cable to the mixer or amplifier. (Figure 2) The ST-5030i is available for both condenser gooseneck microphone and dynamic gooseneck microphone. Please notice that selecting the switch location what you want to use before using.

[1] For condenser gooseneck microphone:

For the condenser microphone, it offers 2 ways of power supply for selecting, via power from the mixer phantom or via equipped battery power (3V). (Figure 1)

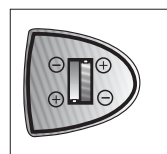
- 1.1 If use batteries, please insert two pieces of AA 1.5 V battery according to the polarity. In order to extend the talking time, the alkaline battery is recommended.
- 1.2 In case power supply is by way of phantom power, please power on a mixer from which the phantom power is supplied. (Figure 2)

[2] Selecting switch :

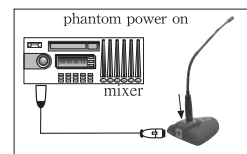
Adjusting the correct switch position according to microphone type. (Figure 4)

[3] Magnetic reed switch (②) and LED indicator:

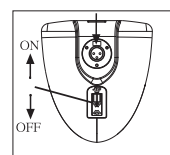
- 3.1 The magnetic reed switch is used for microphone power On/Off (Figure 3), and the red LED (③) indicates microphone's status, also the battery capacity.
- 3.2 LED lit up: The microphone is switched on for talk, and battery capacity is sufficient.



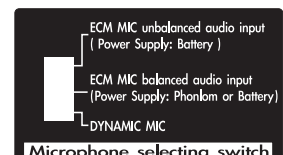
(Figure 1)



(Figure 2)



(Figure 3)



(Figure 4)

