

ST-850 Wireless and Wired Gooseneck Microphone



Thanks for choosing JTS ST-850 Wireless and Wired gooseneck microphone. In order to obtain the best efficiency, you are recommended to read this manual before applying.

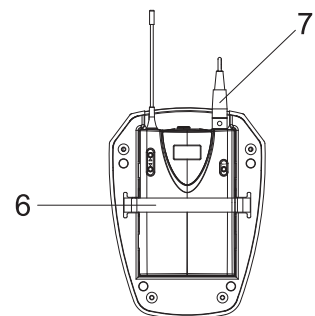
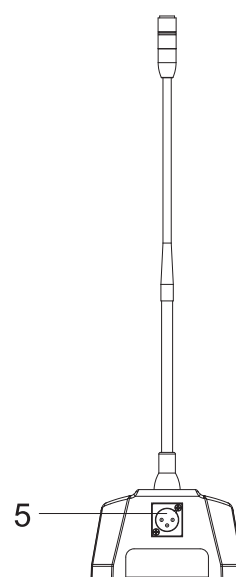
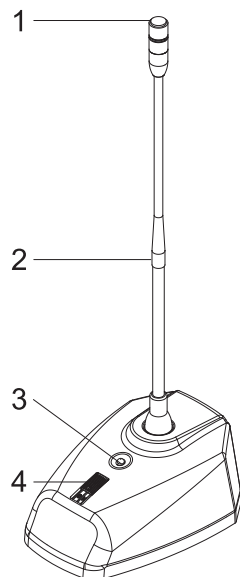
The ST-850 makes gooseneck microphones go wireless and installation a simple work. Work with the bodypack transmitter, it goes wireless. When transmitters are unavailable, simply connect the ST-850 to a microphone cable with phantom power. It works as a normal gooseneck microphone.

FEATURES

- ❖ Smart design makes gooseneck wireless.
- ❖ Compatible with JTS bodypack transmitters, such as PT-900B, PT-850B, PT-920B(G), PT-950B and PT-990B.
- ❖ Power supplied from the transmitters (AA Battery 1.5V*2) or phantom power.
- ❖ With JTS in-house ECM capsule, it offers excellent polar pattern and performance.
- ❖ Magnetic On/Off switch permits minimum noise.
- ❖ Optimal for conference and other demands in sound pick-up situation.

PARTS IDENTIFICATION

1. Capsule
2. Gooseneck
3. LED Indicator
4. Magnetic Switch
5. 3P XLR-Male Connector
6. Rubber Band
7. 4P mini XLR Connector



SPECIFICATION

TYPE: Back Electret Condenser

FREQUENCY RESPONSE: 50 to 18,000 Hz

POLAR PATTERN: Supercardioid

OUTPUT LEVEL(at 1,000 Hz):

Wireless: $-66 \pm 3\text{dB}$ (0.5mV) 0dB=1V/ μ bar

Wired : $-56 \pm 3\text{dB}$ (1.58mV) 0dB=1V/ μ bar

IMPEDANCE: Wireless: $2\text{k}\Omega$

Wired: 100Ω

MAX. SPL FOR 1% THD: 125dB

POWER SUPPLY: Wireless: 5VDC

Wired: 12-48 VDC phantom power

CURRENT CONSUMPTION: Wireless: $\leq 0.5\text{mA}$

Wired: $\leq 5.5\text{mA}$

OUTPUT CONNECTOR: Wireless:4P Mini XLR

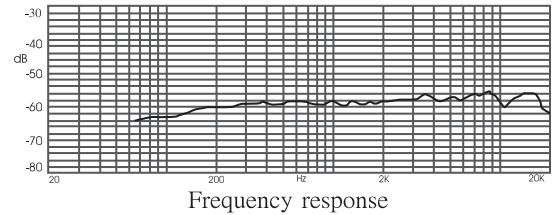
Wired : 3P XLR(M)

SWITCHES: Push control on/off

GOOSENECK LENGTH: 312mm

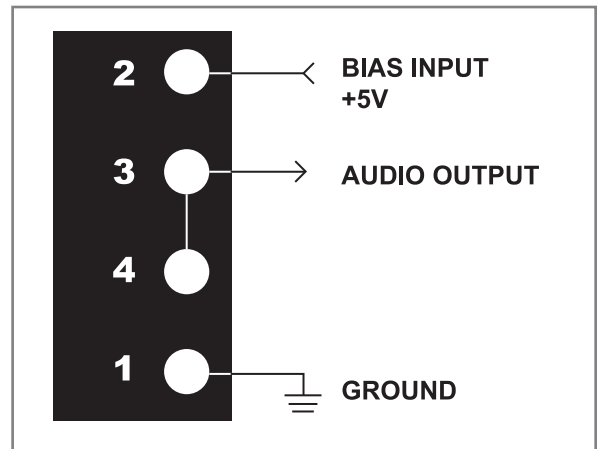
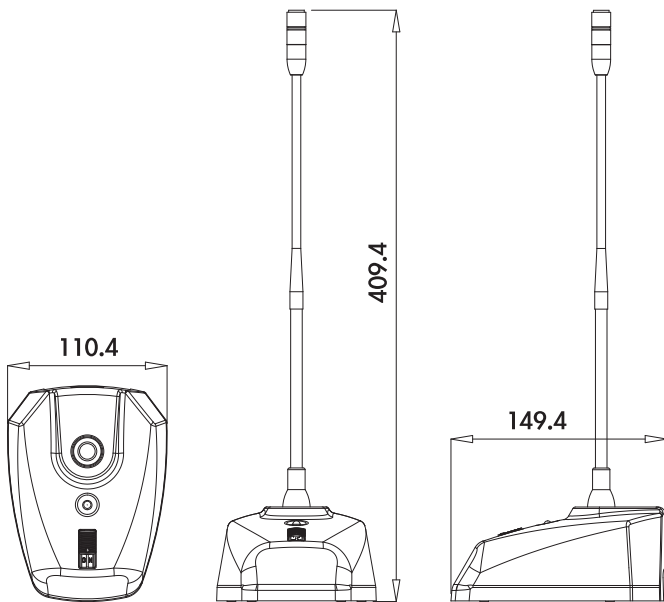
BASE DIMENSIONS: 110.4 mm (W) x 65.5mm (H) x 149.4 mm (D)

NET WEIGHT: 1 kg



DIMENSIONS

DIAGRAM_4 Pin Mini XLR Connector



www.jts.com.tw