

Specification**TG-64CH36****TG-64CH36**

Number of charging slot : 36 (receiver or transmitter)
Power requirement : Input : AC 100~240 V, 2.8A max
Output : DC 12V, 16A
LED Indicator : Power Connected: Flash Green
Charging: Green
Full Charged: Turn off
Charging time : 8 Hours
Dimensions(mm) : 561mm(W)*399.77mm(D)*230mm(H)

TG-64CH18

Number of charging slot : 18 (receiver or transmitter)
Power requirement : Input : AC 100~240 V, 1.6A max
Output : DC 12V, 7A
LED Indicator : Power Connected: Flash Green
Charging: Green
Full Charged: Turn off
Charging time : 8 Hours
Dimensions(mm) : 361.4mm(W)*422mm(D)*189mm(H)

**Important Caution**

- * Always make all connections before plugging the unit into an AC power outlet.
- * Do not leave the devices in a place with high temperature or high humidity.
- * Always do not handle the power cord with wet hands !
- * Keep the devices away from fire and heat sources.
- * Please fully charge the battery over 8 hours before operation, and recharge if no use for over three months.
- * Do not close the cover during charging to avoid overheating.

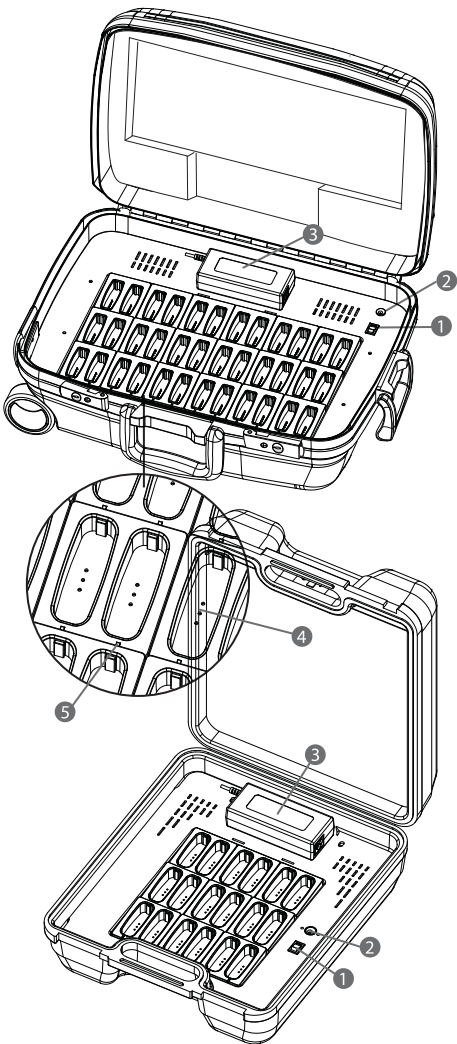
Feature

- * TG-64CH36/TG-64CH18, the 36-slot charger/18-slot charger, is designed to charge multi-units (TG-64T / TG-64TA or TG-64R / TG-64RA) simultaneously.
- * Light-weight and cabin baggage size design provides great convenience during trips.
- * The charger is designed with 3 kinds of protection circuit: over-charging, over-discharging, and short circuit. It takes approximately 8 hours to fully charge batteries.

Parts Identification

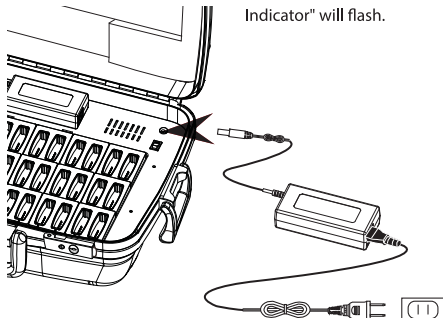
TG-64CH36/TG-64CH18

1. Power Switch and Indicator
2. DC input
3. Adaptor
4. Charger Slot
5. Charging Indicator

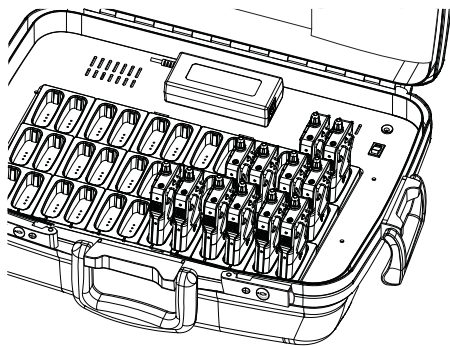


Installation and Operation

- A. Connect AC output to outlet and DC output plug into "DC input". As soon as AC power is connected, and "Power Switch" is turned on, the "Charging Indicator" will flash.



- B. Plug the TG-64T(TA)/TG-64R(RA) into "Charger Slot" of TG-64CH36/TG-64CH18. The "Charging Indicator" will flash for seconds at beginning for initial testing, and then shows green light when charging. It will turn off when the battery is fully charged.



Attention

- * The "Charging Indicator" may turn flashing for self-testing during charging to protect batteries from being damaged.
- * To avoid overheating, don't close the cover during charging.
- * To avoid being damaged, don't drop the charging case.