
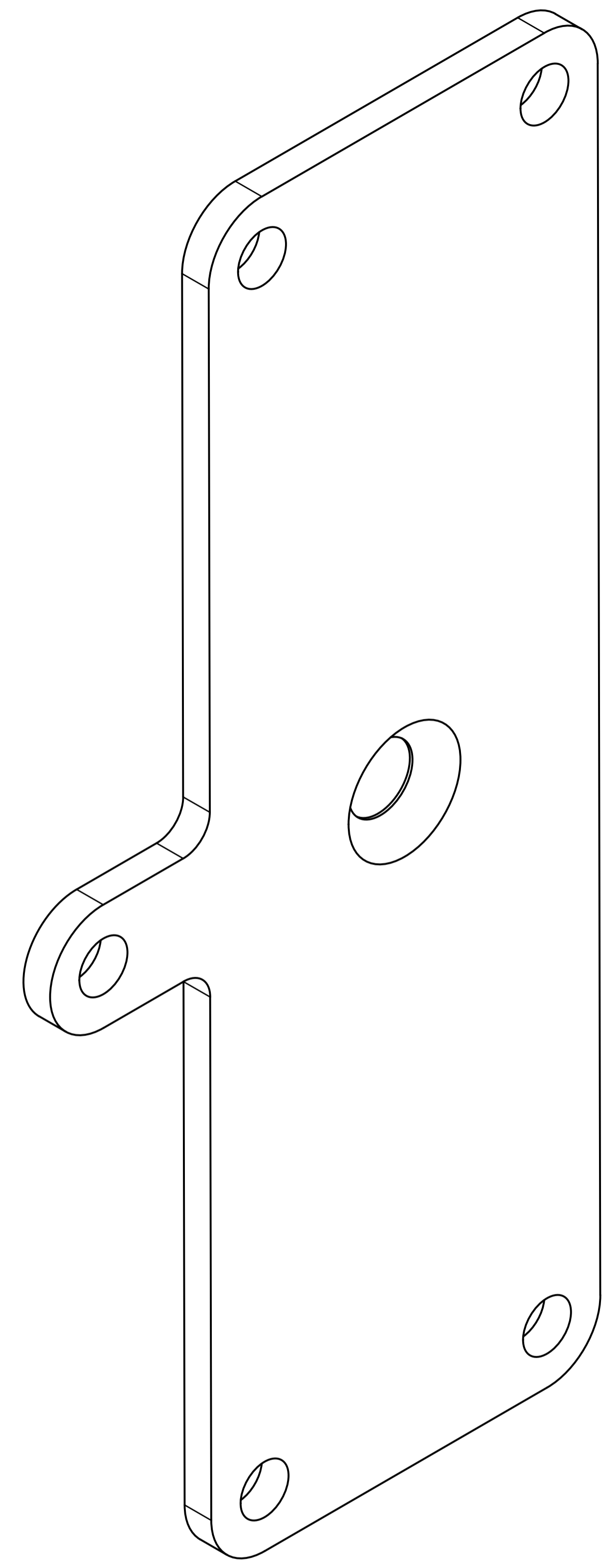
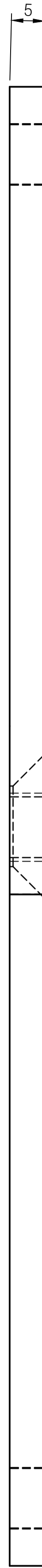
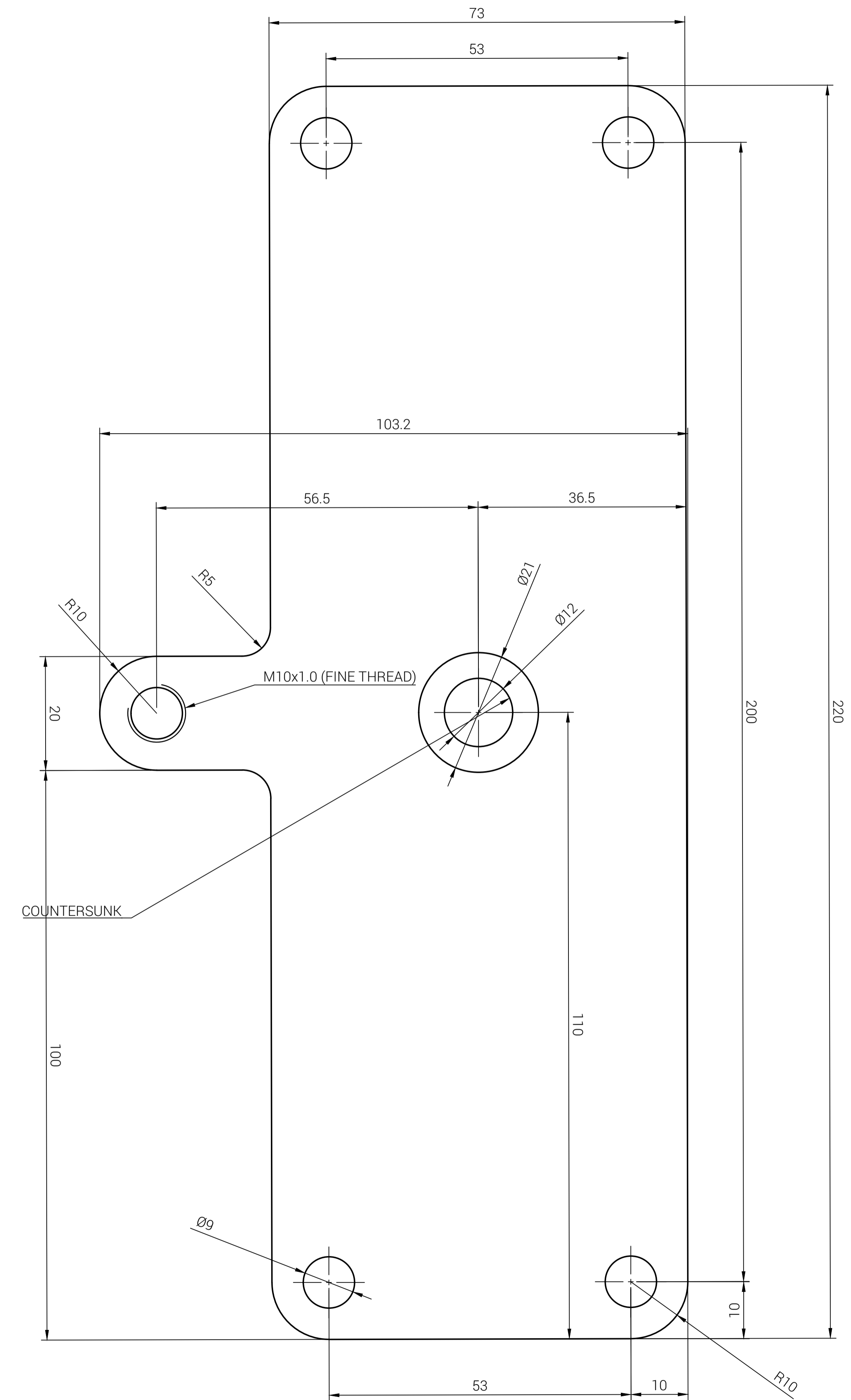


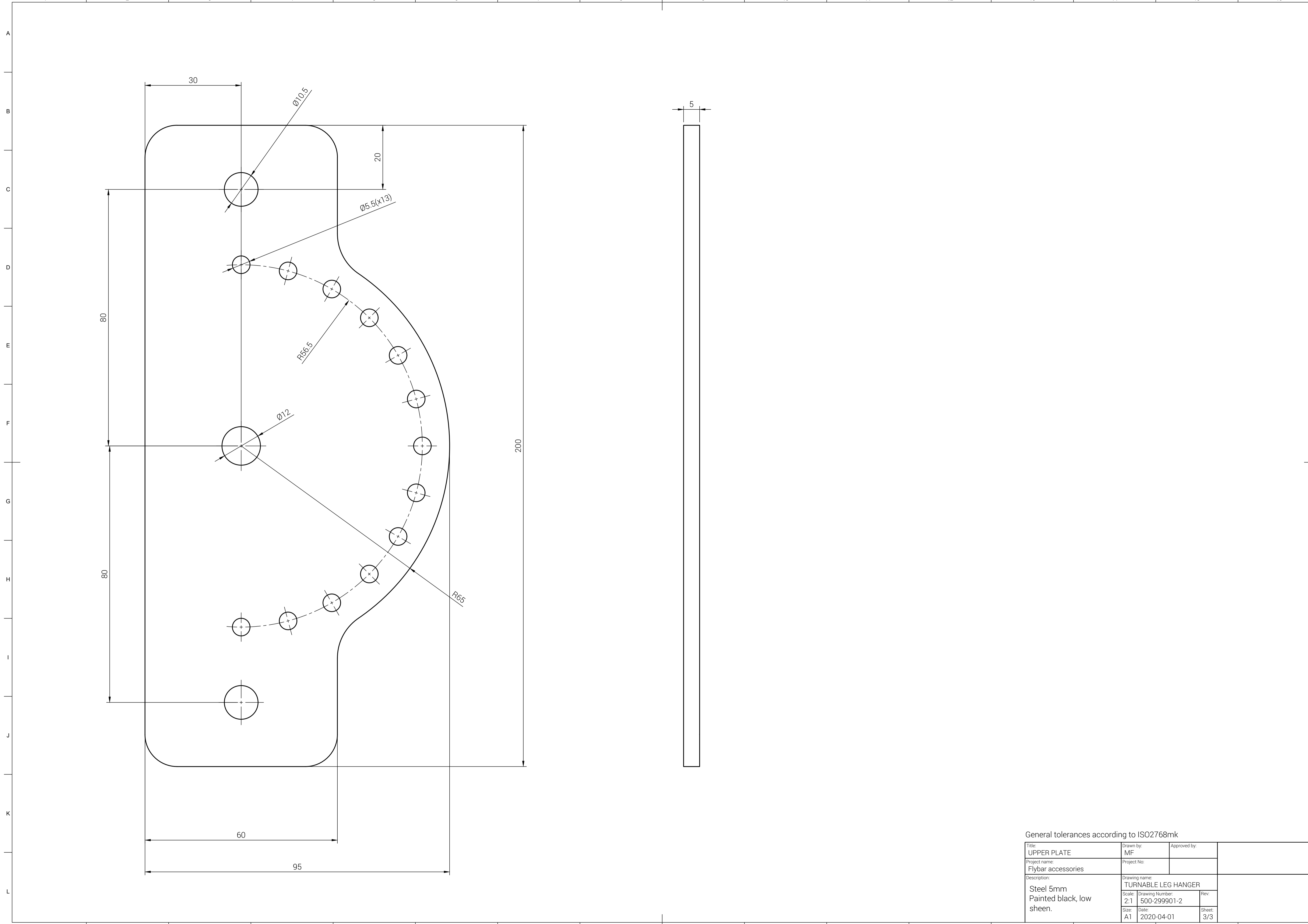
General tolerances according to ISO2768mk

Title: TURNABLE LEG HANGER		Drawn by: MF	Approved by:
Project name: Flybar accessories		Project No.:	
Description:		Drawing name: TURNABLE LEG HANGER	
		Scale: 1:2	Drawing Number: 500-299901
		Size: A1	Date: 2020-04-01
			Rev: 1/3
		 PRIEBE-SCANRIG AB MALMGATAN 18 602 23 NORRKÖPING +4610-2115050 WWW.PSRIG.COM	



General tolerances according to ISO2768mk

Title: <b>LOWER PLATE</b>		Drawn by: MF	Approved by:
Project name: Flybar accessories		Project No.:	
Description: Steel 5mm Painted black, low sheen.		Drawing name: TURNABLE LEG HANGER	
Scale: 2:1	Drawing Number: 500-299901-1	Rev:	
Size: A1	Date: 2020-04-01	Sheet: 2/3	



General tolerances according to ISO2768mk

Title: UPPER PLATE		Drawn by: MF	Approved by:
Project name: Flybar accessories		Project No.:	
Description: Steel 5mm Painted black, low sheen.		Drawing name: TURNABLE LEG HANGER	
Scale: 2:1	Drawing Number: 500-299901-2	Rev:	
Size: A1	Date: 2020-04-01	Sheet: 3/3	