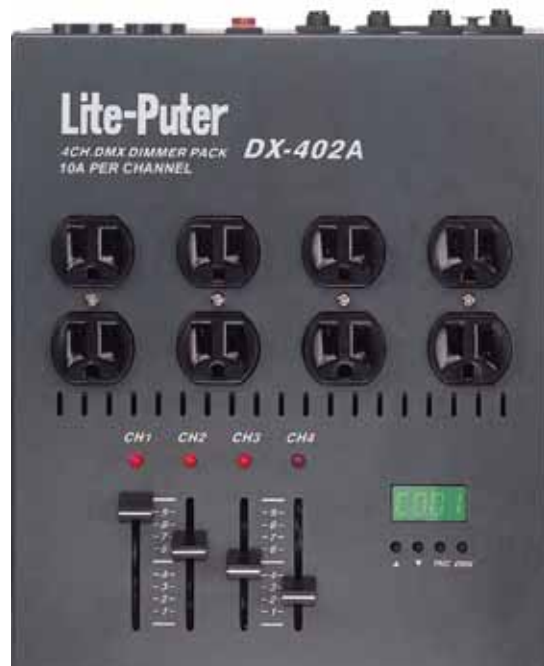
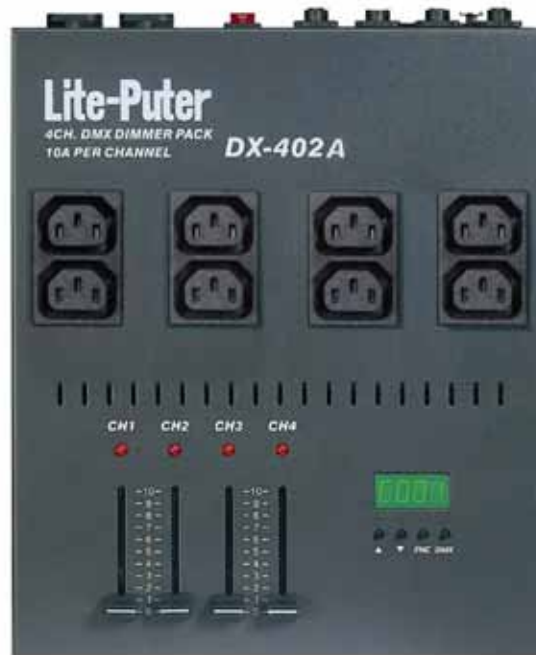


DX-401A、DX-402A

4 Channel DMX Dimmer Pack

【USER MANUAL】



Chapter 1. DX-401A / DX-402A Instruction

1-1 Feature

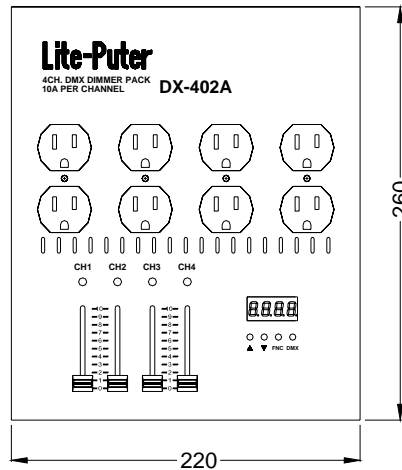
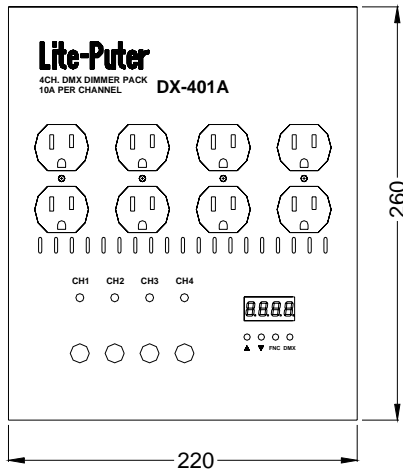
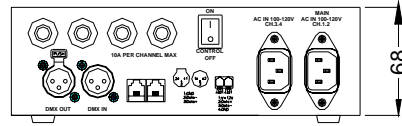
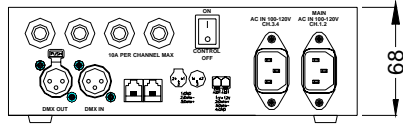
- Maximum 10A per channel, total 30A!
- DMX 512 signal.
- 2 sets of signal input/output, either 3 pin XLR connector or RJ11 telephone jack.
- LED display.
- Automatic warm up function, protects loads and extend the life of bulbs.
- Auto frequency tracking.
- Most advanced 'C3' dimming curve.
- DMX start address setting.
- Channel dimming test.
- 256 steps resolution.
- Faders for Manual operation. (DX-402A)
- Equipped with clamp for truss hanging or desktop operation.

1-2 Specification

- | | |
|------------------------|--|
| ■ Power | AC 100-120V, AC 200-240V, 45-63Hz, 2 input |
| ■ Output | Maximum 10A per channel, total 30A. |
| ■ Signal input/ output | DMX512/ 1990 |
| ■ Signal connector | XLR 3Pin, 6P4C, RJ11telephone jack |
| ■ Dimension | 220(W) x 260(H) x 70(D) mm |
| ■ Location | TRUSS hanging or desktop operation. |
| ■ Weight | 3 Kg |

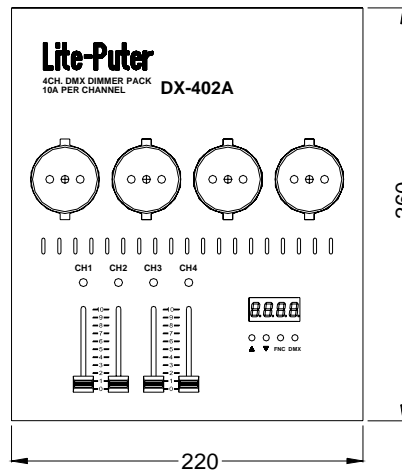
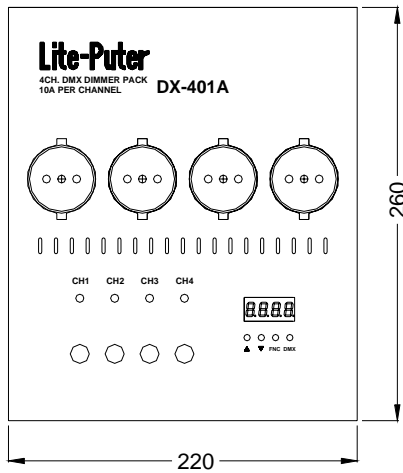
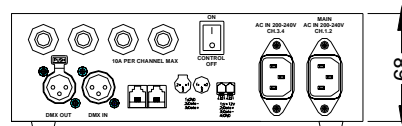
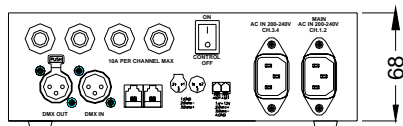
American Standard

DX-401A **DX-402A**



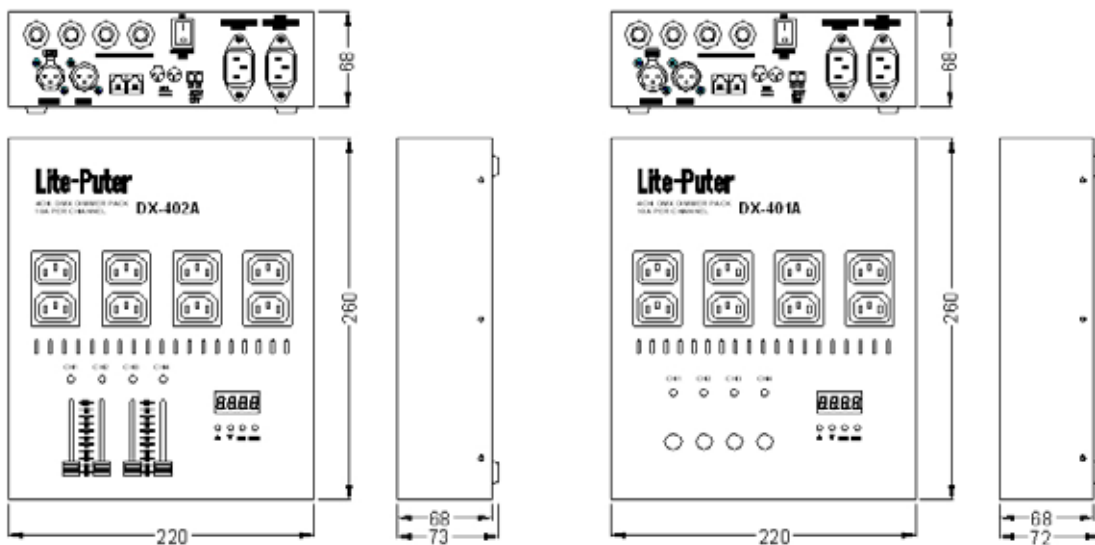
European Standard

DX-401A **DX-402A**

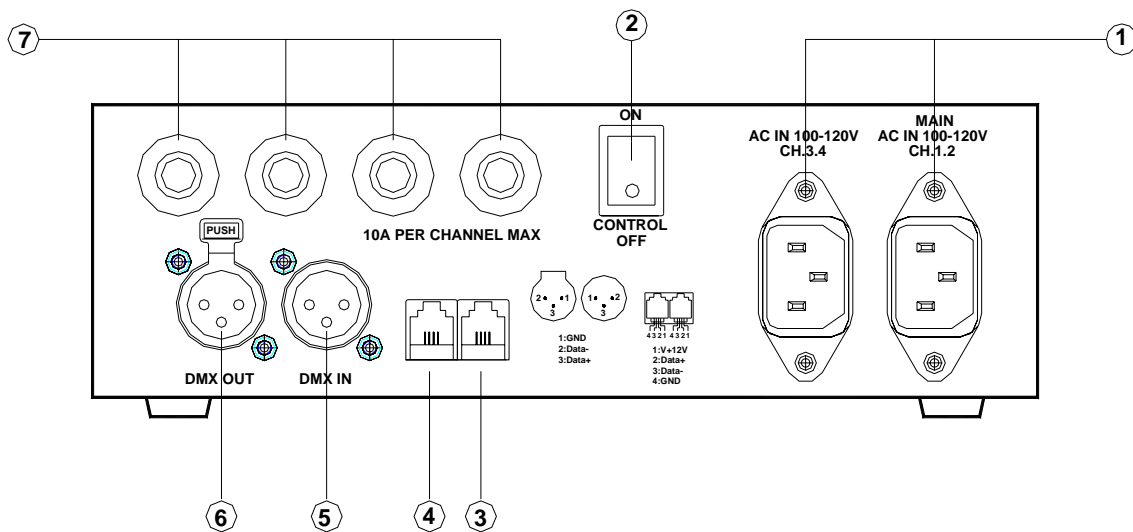


T4 (IEC Standard)

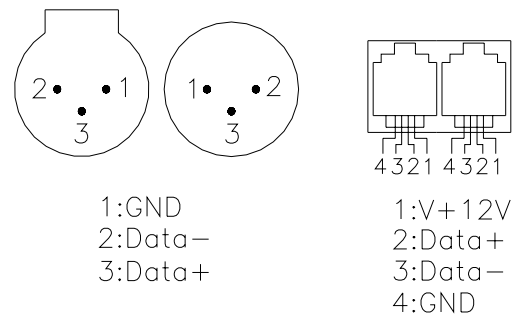
DX-401A DX-402A



1-3 DX-401A / DX-402A Real Panel



- 1. Dual AC power input 15A Per Socket**
- 2. Control AC switch**
- 3. DMX signal input (6P4C Phone jack)**
- 4. DMX signal output (6P4C Phone jack)**
- 5. DMX signal input (3 PIN cannon plug)**
- 6. DMX signal output (3 PIN cannon plug)**
- 7. Trip type circuit breaker, 10A MAX**



1-4 Wiring

CAUTION:

The wire & connectors used must follow the local government and other applicable rules and electrical regulations!

12 AWG : 20A

14 AWG : 15A

16 AWG : 13A

18 AWG : 10A

Chapter 1. DX-401A / DX-402A Instruction

2-1 Standard DMX512 Signal



This point flashing when receiving DMX

2-2 DMX start address setting

STEP-1 holding **【DMX】** , press **【▲】** or **【▼】** to find the start address.



【▲】 : move 1 number forward : up to **Channel 512**



【▼】 : move 1 number backward :down to **Channel 1**

DX-401A /DX-402A is a 4 channel dimmer pack so when setting this unit:

- as d. 0 0 1, the output is from Channel 1→ Channel 4.
- as d. 0 0 5, the output is from Channel 5→ Channel 8.
- It is allowed for setting more than 1 piece of DX-401A/DX-402A at the same start address.

2-3 Dimming/Switching setting

STEP-1 press **【DMX】** key into DMX status

STEP-2 press and hold the **【FNC】** key for 3 sec.



Default setting : all channel are dimming mode

STEP-3 press **【FNC】** key to select channel

STEP-4 press **【** **】** or **【** **】** to select dimming mode or switching mode



(dimming)



(Switching)

2-4 warm up setting (0...6%)

STEP-1 press **【FNC】** key



STEP-2 press **【FNC】** key to select the setting channel, EX :select channel 1

STEP-3 press **【** **】** , **【** **】** key to adjust



Channel 1 set on 6% for warm up

2-5 Bypass Full On

STEP-1 **Selecting the channel for instant play**

ex : *Select Channel 1.*

Hold the **【CH-1】** key for full on & it will come back to original dimming level when your finger off the key.

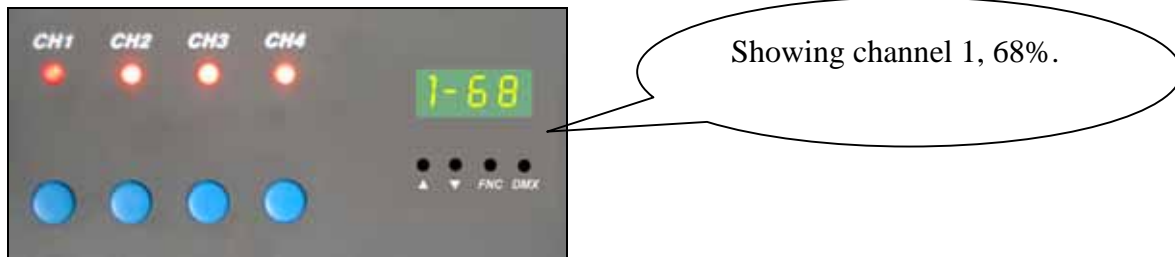


2-6 Monitoring the dimming level of every channel

STEP-1 Enter DMX status, Hold **【DMX】**

STEP-2 **Selecting the monitoring channel**

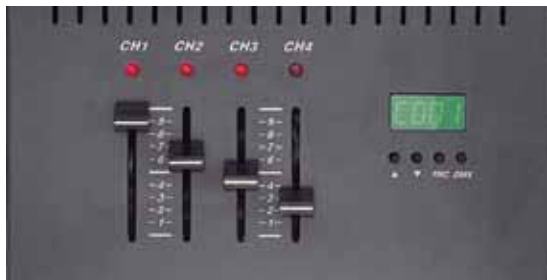
ex. : (**▲**) →Channel increasing **▼** →Channel decreasing)
 showing the brightness of the selected channel



- Press **DMX** key to cancel the setting.
- **DMX ADDRESS** will be displayed automatically after 10 minutes.

2-7 Dimming manually by fader (DX-402A)

ex.: Adjust the **VR-1 ~VR-4** , you can dim the Channel 1~ Channel 4 directly.



- P.S.** The high dimming value output when 2 signals (console V.S. manual fader) has been received.

2-8 Back to DMX ADDRESS display

Press **DMX** key in any conditions or automatically back to show DMX address when none key has been touched within 10 minutes.