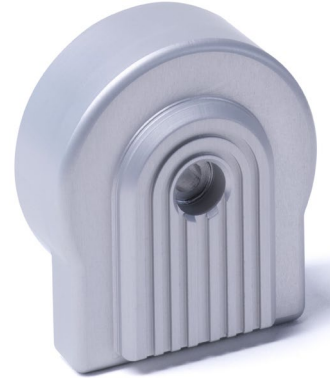


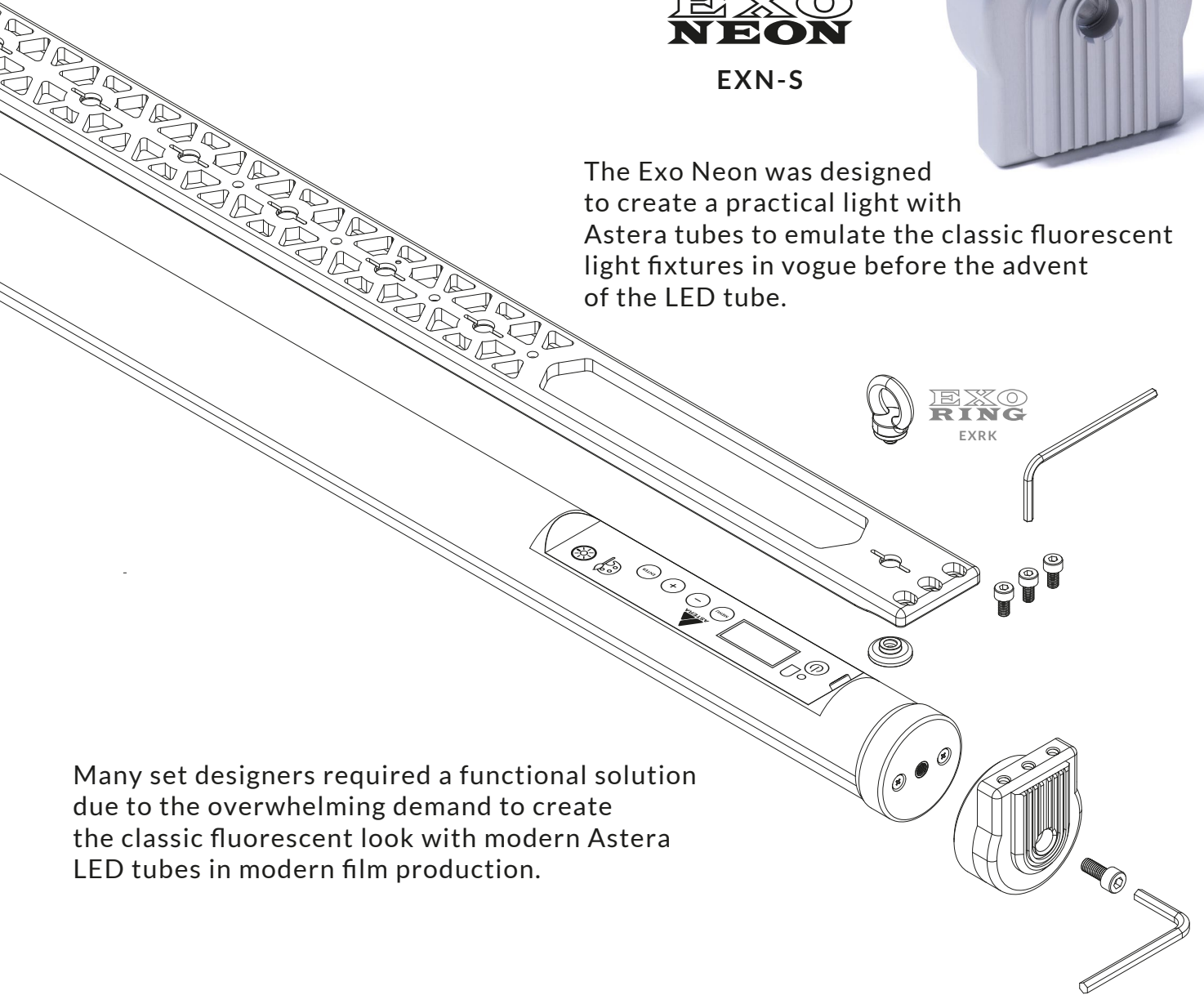
Side mount for Exo Bone to create a vintage fluorescent fixture look, with Astera LED tubes. Aluminium Silver Anodized with (3x) M4X8, (1x) M5X12 screws, (2x) hex keys SW3 and SW4. Wgt: gr. 79, oz. 2,8.

**EXO**  
**NEON**

EXN-S



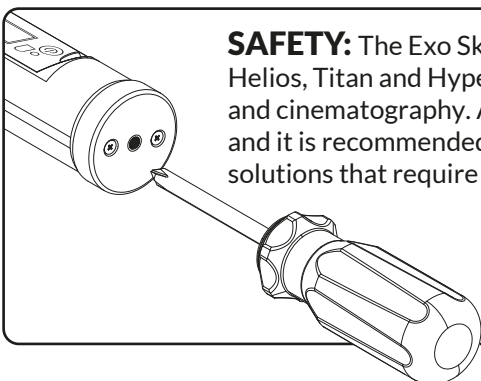
The Exo Neon was designed to create a practical light with Astera tubes to emulate the classic fluorescent light fixtures in vogue before the advent of the LED tube.



Many set designers required a functional solution due to the overwhelming demand to create the classic fluorescent look with modern Astera LED tubes in modern film production.

**SAFETY:** The Exo Skeleton system has been designed to expand the creative potential with Astera Helios, Titan and Hyperion LED tubes for professional users in the world of entertainment, television and cinematography. Astera LEDs were not originally designed for heavy use with complex modularity and it is recommended to carefully evaluate safety in the construction of complex and sophisticated solutions that require professional support and anchoring systems.

**WARNING:** Before using the Exo Skeleton system with the Astera LED tubes, make sure that the two screws are well tightened with a Phillips screwdriver. This is important for effective and safe use, avoiding wear of the parts in contact.



The two Exo Neons must be combined with the Exo Bone to recreate the much sought-after look, and two Exo Rings (Eye Bolt) and two Exo Ring Bolts to hang it from the ceiling. The Exo Bone bar can be screwed horizontally and vertically thanks to the through holes where to house the fixing screws.

