

LED Power Repeater

0...144W-288W 12A 12-24V

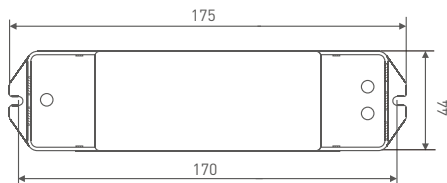
- Accept PWM control.
- LED lights would be twice as much by adding one more power repeater.
- Max. current output: 12A.
- Full protective plastic housing.
- Suitable for indoor environments.



Main Characteristics

Input Signal:	PWM
Input Voltage:	12-24Vdc
Output Voltage:	12-24Vdc
Output	12A×1CH Max. 12A
Max. Output Power:	0-144W...288W(12V/24V)
Working Temperature:	-30°C ~ 55°C
Product Size:	L175×W44×H30(mm)
Package Size:	L178×W48×H33(mm)
Weight(G.W.):	125g

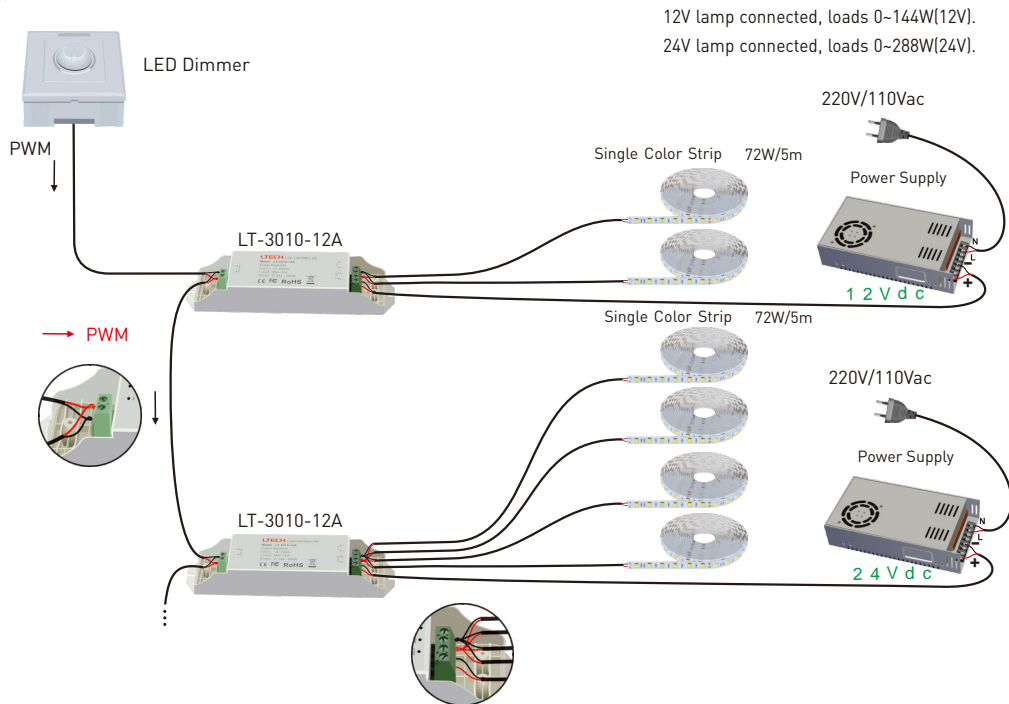
Dimensions



Terminal Description



Power Repeater Connected to PWM LED Dimmer :



12V lamp connected, loads 0~144W(12V).
24V lamp connected, loads 0~288W(24V).

Power Repeater Connected to LED Dimmer:

