

Compact, 12" (3" voice coil) passive subwoofer cabinet band pass configuration



Key features

- Compact, band pass sub bass cabinet
- Ultra low air noise
- Screwless grille with protective acoustic textile
- Integrated ergonomic handle
- Hidden speakon connection
- Pole mount fitting
- Polyurea coating

Applications

- Club & Bar installations
- Sound reinforcement
- Theatres
- Houses of worship
- Multi media spaces
- Public address

General description & specifications

The BS-112 is a compact, passive subwoofer cabinet designed to extend low frequency support to the four BS Series full range cabinets.

The 12" (3" voice coil) driver offers high power handling and high sensitivity with low distortion and ultra low air noise. The cone is water-proof and rubber suspension has been treated on both sides and has been optimized for band pass subwoofer applications.

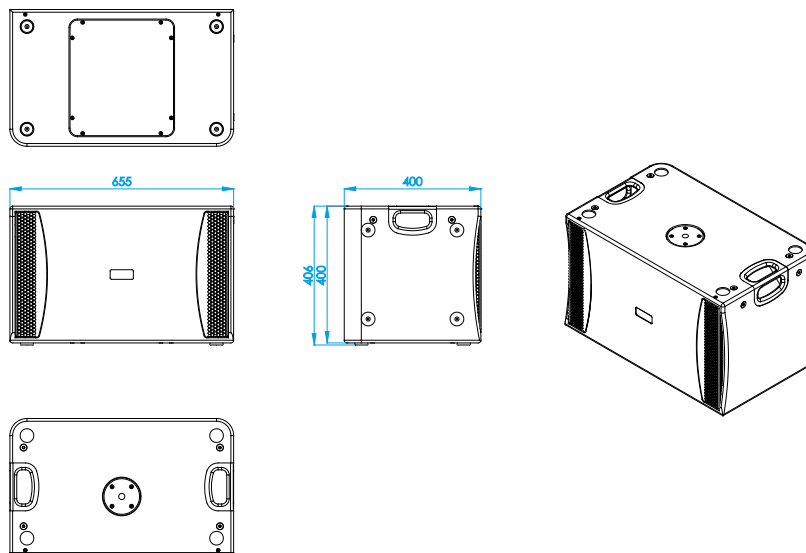
Constructed from premium birch plywood and coated in high resistant polyurea paint. The enclosure also offers a screw free grille together with pole mount fitting so that it can be used with any of the four full range cabinets. We recommend that the cabinet presets are applied for maximum optimization and performance.

Technical Data

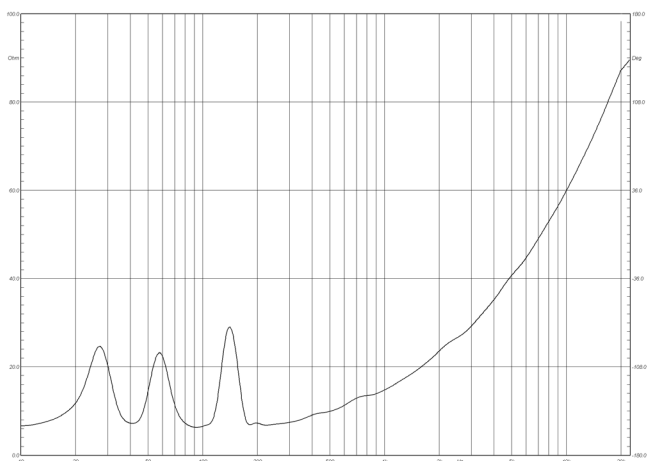
Components	LF: 12" speaker, 3" (75 mm) copper wire voice coil, Waterproof cone with treatment on both sides
Frequency Range	40 Hz – 90 Hz with preset
Sensitivity	93 dB
Max SPL / Peak*	120 dB / 126 dB
Rated Power (AES)	500W AES (1000W program, 2000 peak)
Dispersion	Quasiomnidirectional
Nominal Impedance	8 Ω
Connectors	2 X NEUTRIK Speakon NL4 Pin connections: +1 / -1 input +1 / -1 link
Finish	Polyurea coating
Material	15 mm premium birch plywood
Dimensions	406 x 655 x 400 mm (H x W x D)
Weight	29 Kg (63.9lbs)
Fittings	2 integrated ergonomic handles, 4 rubber feets right side for vertical install, M-10 fly point
Accessories	M-20 connector pole, M-10 eyebolt
Enclosure type	Band pass subwoofer

* Calculated maximum SPL based on rated peak power and measured sensitivity

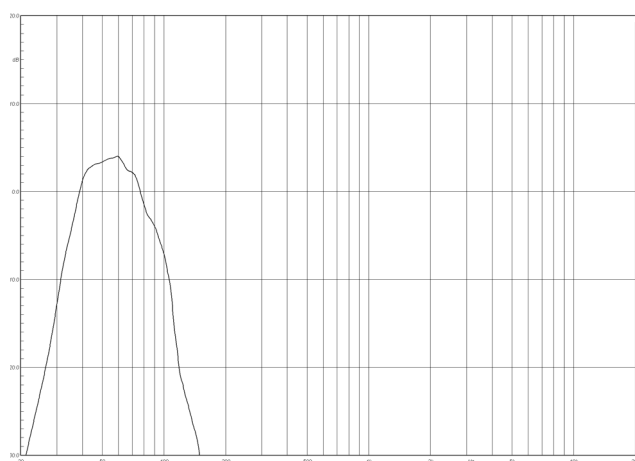
Dimensional Drawing



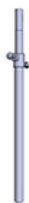
Impedance Response



Frequency / Phase Response



Hardware & Accessories



TU-C02
M20 pole support for combination
between sub and satellite cabinet



AGR-10
M10 Eyebolt

Model BS-112 Optimizer Preset

This document contains the filter values for the model BS-112 speaker.

NUMBER FILTER	TYPE OF FILTER	FREQ Hz	Q	GAIN dB
1	Parametric Q Adap	250	2.5	-4.5
2	Parametric Q Adap	63	2	2
3				
4				
5				
6				
7				
8				
9				

CROSSOVER	TYPE	FREQ Hz	GAIN dB
LOW-PASS	L-R	90	8° 48 dB/Oct
HIGH-PASS	Buttw	35	4° 24 dB/Oct

Note:

The preset is made with an amplifier from the RS series and an ARK processor. Using other products will not guarantee the same result and if the preset is incorrectly introduced it can affect the performance of the system and the reliability of the speaker.

Ensure the impedance of the loudspeaker and the maximum AES power is capable of supporting when adjusting the power limitation in the amplifier.

This can also lead to loss of warranty claims in case of damage.

CULTURE OF SOUND