



## APIX6T

In a fast paced market, the AlphaPIX Touring family keeps ahead of the game by delivering top quality images every time with the latest high-resolution temporary outdoor LED display. The AlphaPixT uses high brightness, black faced, square LEDs with UV coatings in a robust, lightweight die-cast aluminium housing. The frame and fast inter-lock system create a seamless image with minimal setup times.

To deliver a perfect image, the AlphaPIX series features a high refresh rate, advanced gray-scale properties, and automatic image correction along with a 140° viewing angle.

### Features

- Outdoor (IP65/IP54) die cast aluminium housing for temporary outdoor installation.
- Gapless panel joins for seamless image
- High brightness square LEDs with UV coating
- Flicker free on camera
- High performance video reproduction at every level of brightness
- 140° viewing angle



Scan with your PHONE  
to view product page.



Self-inspection  
function



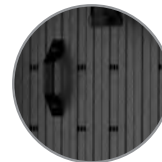
Slim Panel



Fast Installation



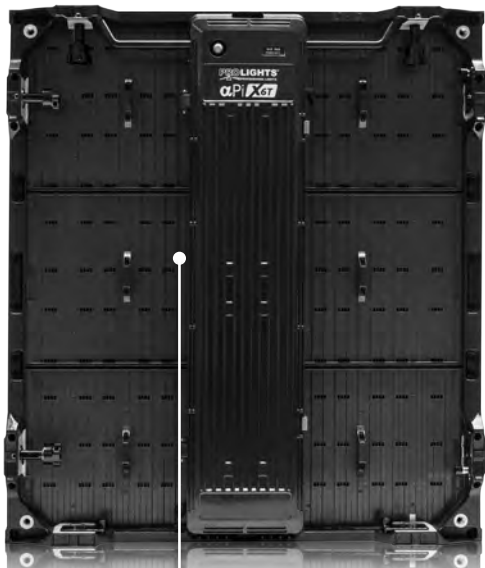
Connecting piece



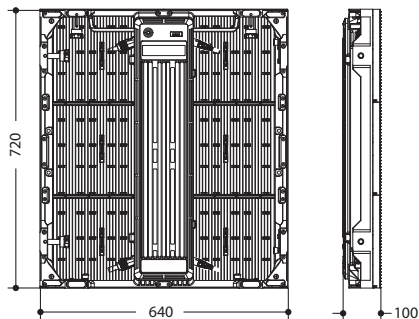
Waterproof holes for  
heat dissipation



No tools needed  
during installation



The main structure is designed in aluminum, making AlphaPiX6T extremely lightweight, only 54 kg/m<sup>2</sup>, allowing a wide flexibility in configuration



## αPi X6T

Technical specification	
LED Type	High-power SMD2727 FullColor black face
Pixel Pitch	6.6 mm
Pixel Density	22'500 pixels/m <sup>2</sup>
Viewing Angle (H/V)	140°H/70°V
Brightness	5'500 nit
Color Depth	8192 bytes
Drive Mode	1/6 scan, constant current
Grey Level	16 bit
Refresh frequency	≥1920 Hz
Brightness Adjustment	Manual/Auto/Programmable
Panel Dimension (WxH)	640x720x100 mm
Panel Resolution (WxH)	96x108 pixels
Module Resolution	48x36 pixels
Panel Weight	13.5 kg
Panel Type and Material	Die-casting aluminum
Protection Grade	IP65/IP43
Power Supply	AC 110/230V 50/60Hz
Connectors	Powercon Ethercon
Control Protocol	Novastar
Hanging Panel Quantity	≤15 panels
Avg. Power Consumption	300 W/sqm
Max. Power Consumption	900 W/sqm
Operating Temp/Humidity	-20°C+50°C / 10%-90%
Compliant Standard	CE