



## AIR06T



2-way passive loudspeaker, 120W AES, 116dB SPL

### LOUDSPEAKERS

- System type: passive 2 way

### COMPONENTS

- Low frequency: 6" woofer/1.5"v.c.
- High frequency: 1" driver/1"v.c.

### FEATURES

- AES/program power: 120/240W
- Input 100 V: 30/60/120W
- SPL max: 116dB @1m (free field)

### ACOUSTICAL SPECIFICATIONS

- Sensitivity: 89dB
- Impedance: 16
- SPL cont/peak: 110/116dB
- Frequency response: 60-18.000Hz
- Coverage angle HxV: 90x60°
- Cross over frequency: 2400Hz
- Protection: H.F. signal compression
- Suggest HPF range: 140/180Hz
- Recommended amplifier up to: 480W

### INPUT/OUTPUT CONNECTORS

- Screw terminal IN/OUT: phoenix
- Input signal: Phoenix IN/OUT

### CABINET CONSTRUCTION

- Cabinet material: polypropilene
- Sospension system: wall brackets (included)

### PHYSICAL

- IP rating: 46 for outdoor events
- Dimensions (WxHxD): 182x362x224mm
- Weight: 7.2kg



## AIR06X



2-way passive loudspeaker, 120W AES, 116dB SPL

### LOUDSPEAKERS

- System type: passive 2 way

### COMPONENTS

- Low frequency: 6" woofer/1.5"v.c.
- High frequency: 1" driver/1"v.c.

### FEATURES

- AES/program power: 120/240W
- SPL max: 116dB @1m (free field)

### ACOUSTICAL SPECIFICATIONS

- Sensitivity: 89dB
- Impedance: 16
- SPL cont/peak: 110/116dB
- Frequency response: 60-18.000Hz
- Coverage angle HxV: 90x60°
- Cross over frequency: 2400Hz
- Protection: H.F. signal compression
- Suggest HPF range: 140/180Hz
- Recommended amplifier up to: 480W

### INPUT/OUTPUT CONNECTORS

- Screw terminal IN/OUT: phoenix

### CABINET CONSTRUCTION

- Cabinet material: polypropilene
- Sospension system: wall brackets (included)

### PHYSICAL

- IP rating: 46 for outdoor events
- Dimensions (WxHxD): 182x362x224mm
- Weight: 6.2kg



## AIR08T



2-way passive loudspeaker, 180W AES, 122dB SPL

### LOUDSPEAKERS

- System type: passive 2 way

### COMPONENTS

- Low frequency: 8" woofer/2"v.c.
- High frequency: 1" driver/1"v.c.

### FEATURES

- AES/program power: 180/360W
- Input 100 V: 45/90/180W
- SPL max: 122dB @1m (free field)

### ACOUSTICAL SPECIFICATIONS

- Sensitivity: 94dB
- Impedance: 16
- SPL cont/peak: 116/122dB
- Frequency response: 60-18.000Hz
- Coverage angle HxV: 90x50°
- Cross over frequency: 2300Hz
- Protection: H.F. signal compression
- Suggest HPF range: 140/180Hz
- Recommended amplifier up to: 720W

### INPUT/OUTPUT CONNECTORS

- Screw terminal IN/OUT: phoenix
- Input signal: Phoenix IN/OUT

### CABINET CONSTRUCTION

- Cabinet material: polypropilene
- Sospension system: wall brackets (included)

### PHYSICAL

- IP rating: 46 for outdoor events
- Dimensions (WxHxD): 241x450x285mm
- Weight: 10.8kg



## AIR08X



2-way passive loudspeaker, 180W AES, 122dB SPL

### LOUDSPEAKERS

- System type: passive 2 way

### COMPONENTS

- Low frequency: 8" woofer/2"v.c.
- High frequency: 1" driver/1"v.c.

### FEATURES

- AES/program power: 180/360W
- SPL max: 122dB @1m (free field)

### ACOUSTICAL SPECIFICATIONS

- Sensitivity: 94dB
- Impedance: 16
- SPL cont/peak: 116/122dB
- Frequency response: 60-18.000Hz
- Coverage angle HxV: 90x50°
- Cross over frequency: 2300Hz
- Protection: H.F. signal compression
- Suggest HPF range: 140/180Hz
- Recommended amplifier up to: 720W

### INPUT/OUTPUT CONNECTORS

- Screw terminal IN/OUT: phoenix

### CABINET CONSTRUCTION

- Cabinet material: polypropilene
- Sospension system: wall brackets (included)

### PHYSICAL

- IP rating: 46 for outdoor events
- Dimensions (WxHxD): 241x450x285mm
- Weight: 9.6kg



## AIR08TCOAX

2-way passive loudspeaker, coaxial design, 180W AES, 123dB SPL

### LOUDSPEAKERS

- System type: passive 2 way coaxial design

### COMPONENTS

- Low frequency: 8" woofer/2"v.c.
- High frequency: 1" driver/1.4"v.c.

### FEATURES

- AES/program power: 180/360W
- Input 100 V: 45/90/180W
- SPL max: 123dB @1m (free field)

### ACOUSTICAL SPECIFICATIONS

- Sensitivity: 96dB @1W/1m (free field)
- Impedance: 8
- SPL cont/peak: 117/123dB @1m (free field)
- Frequency response: 80-18000Hz (±3dB)
- Coverage angle HxV: 100x100°
- Cross over frequency: 2500Hz
- Protection: H.F. signal compression
- Suggest HPF range: 120/160Hz
- Recommended amplifier up to: 360W

### INPUT/OUTPUT CONNECTORS

- Input signal: screw terminal IN/OUT

### CABINET CONSTRUCTION

- Cabinet material: polypropilene
- Sospension system: wall brackets (included)

### PHYSICAL

- IP rating: IP56 for outdoor events
- Dimensions (WxHxD): 300x302x334mm
- Weight: 10kg



## AIR12TCOAX

2-way passive loudspeaker, coaxial design, 300W AES, 128dB SPL

### LOUDSPEAKERS

- System type: passive 2 way coaxial design

### COMPONENTS

- Low frequency: 12" woofer/3"v.c.
- High frequency: 1" driver/1.7"v.c.

### FEATURES

- AES/program power: 300/600W
- Input 100 V: 75/150/300W
- SPL max: 128dB @1m (free field)

### ACOUSTICAL SPECIFICATIONS

- Sensitivity: 98dB @1W/1m (free field)
- Impedance: 8
- SPL cont/peak: 122/128dB @1m (free field)
- Frequency response: 55-18000Hz (±3dB)
- Coverage angle HxV: 80x80°
- Cross over frequency: 2200Hz
- Protection: H.F. signal compression
- Suggest HPF range: 120/160Hz
- Recommended amplifier up to: 600W

### INPUT/OUTPUT CONNECTORS

- Input signal: screw terminal IN/OUT

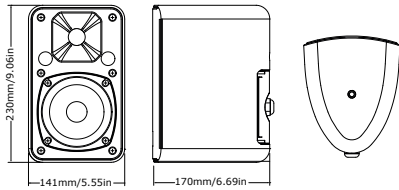
### CABINET CONSTRUCTION

- Cabinet material: polypropilene
- Sospension system: wall brackets (included)

### PHYSICAL

- IP rating: 56 for outdoor events
- Dimensions (WxHxD): 407x410x443mm
- Weight: 18kg

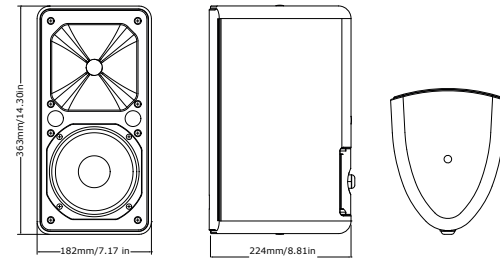
## AIR04T / AIR04X - Technical Drawings



### Optional accessories

**AIRWB46:** Wall-mount ABS support for AIR04/AIR06 acoustic speakers.

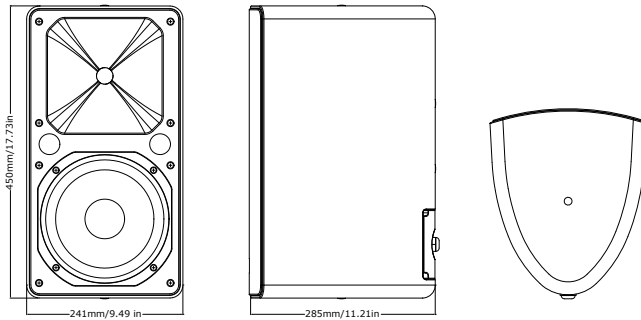
## AIR06T / AIR06X - Technical Drawings



### Optional accessories

**AIRWB46:** Wall-mount ABS support for AIR04/AIR06 acoustic speakers.

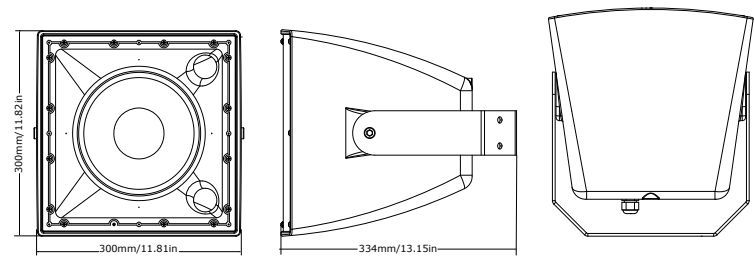
## AIR08T / AIR08X - Technical Drawings



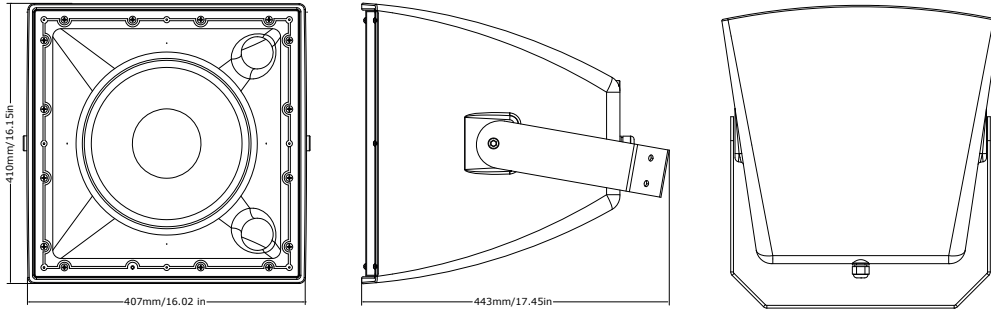
### Optional accessories

**AIRWB80:** Wall-mount metal support for AIR08 acoustic speakers.

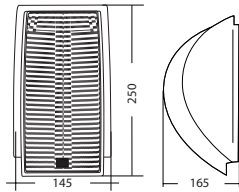
## AIR08TCOAX - Technical Drawings



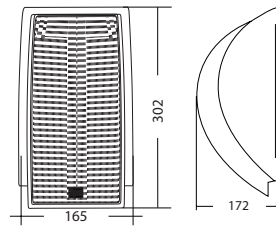
### AIR12TCOAX - Technical Drawings



### COMPACT44T - Technical Drawings



### COMPACT55T - Technical Drawings



### COMPACT66T - Technical Drawings

