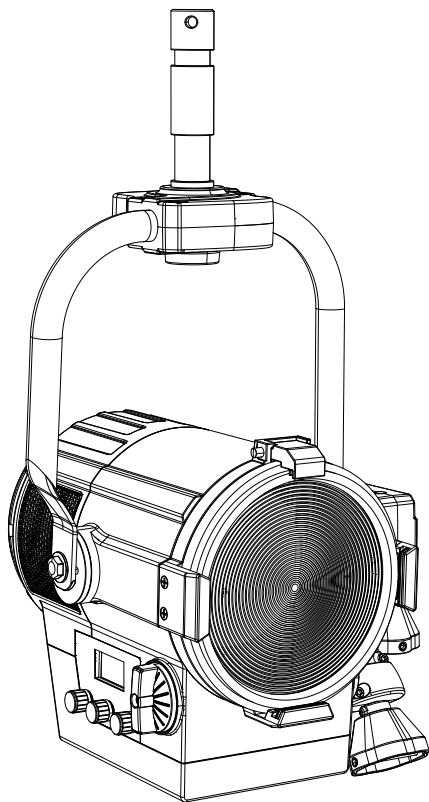


ECLFRJPTW

POLE OPERATED FRESNEL PROJECTOR



USER MANUAL
MANUALE UTENTE

All rights reserved by Music & Lights S.r.l. No part of this instruction manual may be reproduced in any form or by any means for any commercial use.

In order to improve the quality of products, Music&Lights S.r.l. reserves the right to modify the characteristics stated in this instruction manual at any time and without prior notice.
All revisions and updates are available in the 'manuals' section on site www.musiclights.it

TABLE OF CONTENTS

Safety	
Symbols	2
General instructions	3
Approvals	3
Fire prevention	3
Electric shock prevention	3
Photobiological safety	4
Warnings	4
Waste Electrical and Electronic Equipment Directive (WEEE)	4
1 Introduction	
1.1 Description and specifications	5
1.2 Technical specification	7
1.3 Operating elements and connections	7
1.4 ECLFRSJBP4	8
1.5 operating elements and connections	8
2 Installation	
2.1 Mounting	10
3 Functions and settings	
3.1 Operation	11
3.2 Basic	11
3.3 Menu structure	12
3.4 DMX mode	15
3.5 DMX configuration	16
3.6 Linking	16
3.7 Screen	16
3.8 Advanced	16
3.9 Information	17
3.10 Master/Slave	17
3.11 Effects	17
3.12 Static mode	17
3.13 Manual mode	18
3.14 Connection of the DMX line	19
3.15 Construction of the DMX termination	19
3.16 Channels DMX	20
4 Maintenance	
4.1 Maintenance and cleaning the unit	27
4.2 Fuse replacement	27
4.3 Trouble shooting	28

Packing content

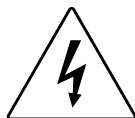
- ECLFRJPTW
- ECLIPSEFRSJBD
- ECLFRSPG
- Power cable
- User manual



WARNING! Before carrying out any operations with the unit, carefully read this instruction manual and keep it with care for future reference. It contains important information about the installation, usage and maintenance of the unit.



SYMBOLS



ELECTRIC SHOCK RISK



READ THE USER MANUAL



GENERAL RISK / ATTENTION



DO NOT STARE AT THE OPERATING LIGHT SOURCE



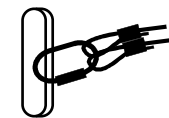
WASTE ELECTRICAL & ELECTRONIC EQUIPMENT

T_a 45°C

MAX OPERATING AMBIENT TEMPERATURE



INDOOR USE



FIXING POINT FOR SAFETY CABLE



EUROPEAN UNION CONFORMITY





WARNING! Before carrying out any operations with the unit, carefully read this instruction manual and keep it with care for future reference. It contains important information about the installation, usage and maintenance of the unit.




SAFETY

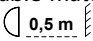
General instruction

- This unit is not for home use, only professional applications. 
- The connection to the main network of electric distribution must be carried out by a qualified electrical installer.
- Before starting any maintenance work or cleaning the projector, cut off power from the main supply.
- Connection must be made to a power supply system fitted with efficient earthing (Class I appliance according to standard EN 60598-1). It is, moreover, recommended to protect the supply lines of the units from indirect contact and/or shorting to earth by using appropriately sized residual current devices.
- Do not modify the unit in any way not described in this manual or install parts other than the original Music & Lights parts. Do not apply filters, lenses or other materials on lenses or other optical components. Use only accessories approved by Music & Lights.
- If this device will be operated in any way different to the one described in this manual, it may suffer damage and the guarantee becomes void.
- We decline any liability deriving from improper use of the product. 

Approvals

- The products referred to in this manual conform to the European Community Directives LVD (Low Voltage Directive) 2014/35 / EC, EMC (Electromagnetic Compatibility Directive) 2014/30 / EU, RoHS (Restriction of Hazardous Substances Directive) 2011/65 / CE and are therefore marked with .

Fire prevention

- The minimum distance between the projector and the surrounding walls and flammable materials must be greater than 50 cm and the ventilation openings must in no case be blocked. 
- Replace a defective, blown or damaged fuse only with one of the same type. To replace the fuse, refer to the "Maintenance" paragraph.
- Do not use the unit if the ambient temperature exceeds 45 °C (122 °F). **T_a45°C**
- The surface of the appliance can reach up to 50 °C (158 °F) during operation. Avoid contact with people and materials.
- Make sure there is a free and unobstructed air flow around the appliance.

Electric shock prevention



- The unit is supplied with hazardous network voltage (230V~). Leave servicing to skilled personnel only. Never make any modifications on the unit not described in this instruction manual, otherwise you will risk an electric shock.
- Disconnect power to the unit when not in use.
- Install the fixture in a well ventilated place.
- Refer to any service operation not described in this manual to Music & Lights technical support.
- Isolate the unit immediately from the power supply if any gaskets, covers, cables or other components are damaged, defective, deformed or showing signs of overheating. Do not reapply power until repairs are complete. Before using the unit, check that all components and power distribution cables are in perfect condition. Check that the frequency and voltage of the network correspond to the frequency and voltage for which the unit is set up, indicated on the electrical data plate.



WARNING! Before carrying out any operations with the unit, carefully read this instruction manual and keep it with care for future reference. It contains important information about the installation, usage and maintenance of the unit.



Photobiological safety

- This device is a product identified in risk group 2 according to EN 62471.
- Emits potentially dangerous optical radiation. It falls into the categories of the risk group according to EN 62471.
- Do not look directly at the LED source during operation. It can be harmful to the eyes.



Warnings



- This device is rated IP20. It is not suitable for use in humid places. Never use the fixture in places subject to vibrations or bumps.
- Make certain that no inflammable liquids, water or metal objects enter the fixture.

Waste Electrical and Electronic Equipment Directive (WEEE)



- The unit, accessories and packaging should be sorted for environmental-friendly recycling.
- For EC countries: according to the European Directive 2012/19/EC for Waste Electrical and Electronic Equipment and its implementation into national right, luminaires that are no longer usable must be collected separately and disposed of in an environmentally correct manner.

- 1 - INTRODUCTION

1.1 DESCRIPTION

ECLFRJPTW is an advanced LED replacement of traditional 650 W Fresnel lamps, featuring 6 colour mixing delivering high precision reproduction of the white spectrum from 2.800 K to 10.000 K with high CRI and an extensive colour reproduction. The optical system harnesses the power of a 130 W custom LED with 6 colours to create an even projection, beautiful colours and precise white, with added ability to apply +/- green and magenta correction to match other sources of light. Featuring HD dimming and tuning from 2.800 K to 10.000 K version with external battery capabilities, the ECLIPSEFRESNELTW delivers the performance and quality of output demanded from this level of luminaire.

1.2 TECHNICAL DESCRIPTION

LIGHT SOURCE

- Source:130 W 6 colour custom LEDs source (red, orange, cyan, royal blue, green, lime)
- CCT:2.800 K - 10.000 K
- CRI:> 90
- R9:> 90
- Luminous flux:(15°) 1'637 lm - (51°) 2'700 lm
- Lux:(15°) 2'067 lx @3 m
- Lux:(51°) 421 lx @3 m
- Source life expectancy: > 50.000 h

OPTICS

- Zoom:15° - 51° manual
- Field angle:26,7° - 75,6°
- Lens diameter:6" - 150 mm
- Lens type:fresnel zoom lens

COLOUR SYSTEM

- Colour mixing: tunable white + colour
- CTC: CTC control through dedicated DMX channel, + / - green and magenta correction and amber shift activation by DMX
- White presets:2.800 K - 10.000 K
- Colour wheel: virtual colour wheel with presets
- Macros: several pre-build macros with adjustable speed

DYNAMIC EFFECTS

- Static colour mode: selection of static colour
- Manual colour mode: manual adjustment of intensity, CT, colour correction from knob
- Auto mode: built-in programs with execution speed adjustment
- Special features:linear crossfade from a white to any color and CTO applied on colours

BODY

- Hardware on-board:included filter frame, 8 doors barndoor, omega bracket spigot
- Pan angle:360° with manual regulation
- Tilt angle:340° with manual regulation
- Body: sturdy die-cast aluminium body conceived for long-time durability
- Body colour: black

CONTROL

- Protocols: DMX512, RDM, local knob
- DMX channels: 1 / 2 / 5 - 1 / 5 - 2 / 7 / 9 / 12 / 13 / 16 / 19 / 21 channel
- RDM: RDM ready for fixture remote monitor and settings
- Display: black OLED high resolution display
- Firmware upgrade: yes, via USB - DMX interface (UPBOX1) not included
- Other: 16bit control of dimmer and colour

ELECTRONICS

- Dimmer: linear 0 ~ 100% electronic dimmer
- Dimmer curves: 4 different dimming curves available
- Strobe / shutter: 1 - 30 Hz, electronic
- Flicker: flicker free frequency with adjustable PWM
- Selectable PWM: 600 ~ 25.000 Hz

ELECTRICAL

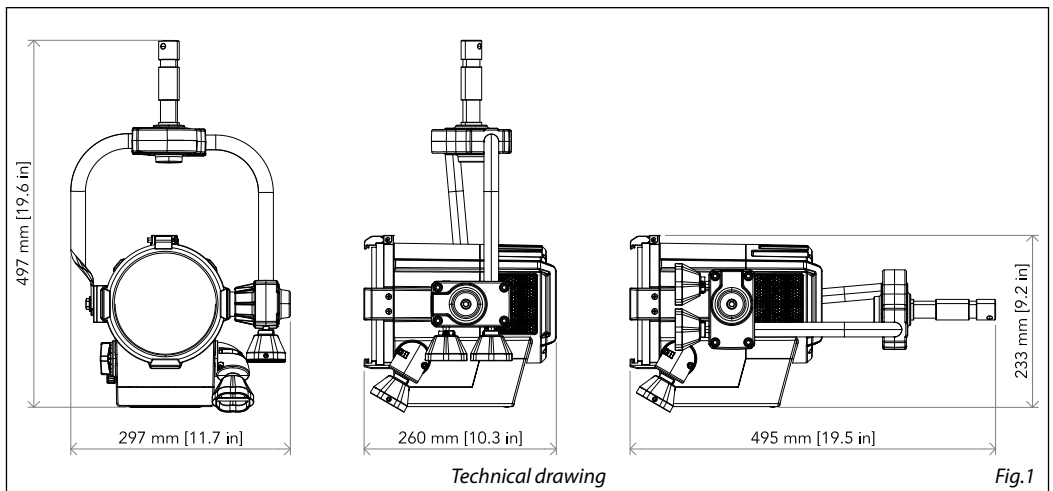
- Power supply: 100-240 V – 50/60 Hz
- Power consumption (at 230 V): 107 W
- Power consumption (at 120 V): 111 W
- Output (at 230 V): 23 units on a single power line
- Output (at 120 V): 12 units on a single power line
- Power factor: pF 0,99 @120 V - pF 0,95 @230 V

BATTERY

- Battery: 24 - 34 V 4400 mAh (optional) external battery
- Re-charge connection: XLR 4p

PHYSICAL

- Cooling: combination of heat pipe cooling system and low noise fan
- Suspension and fixing: hanging bracket suitable for safe hanging and positioning
- Signal connection: Amphenol XLR 5p IN/OUT connectors
- Power connection: Neutrik powerCON TRUE1 IN/OUT connectors
- IP rating: 20
- Dimensions (WxHxD): 297x497x260 mm
- Weight: 7.6 kg



1.3 OPERATING ELEMENTS AND CONNECTIONS

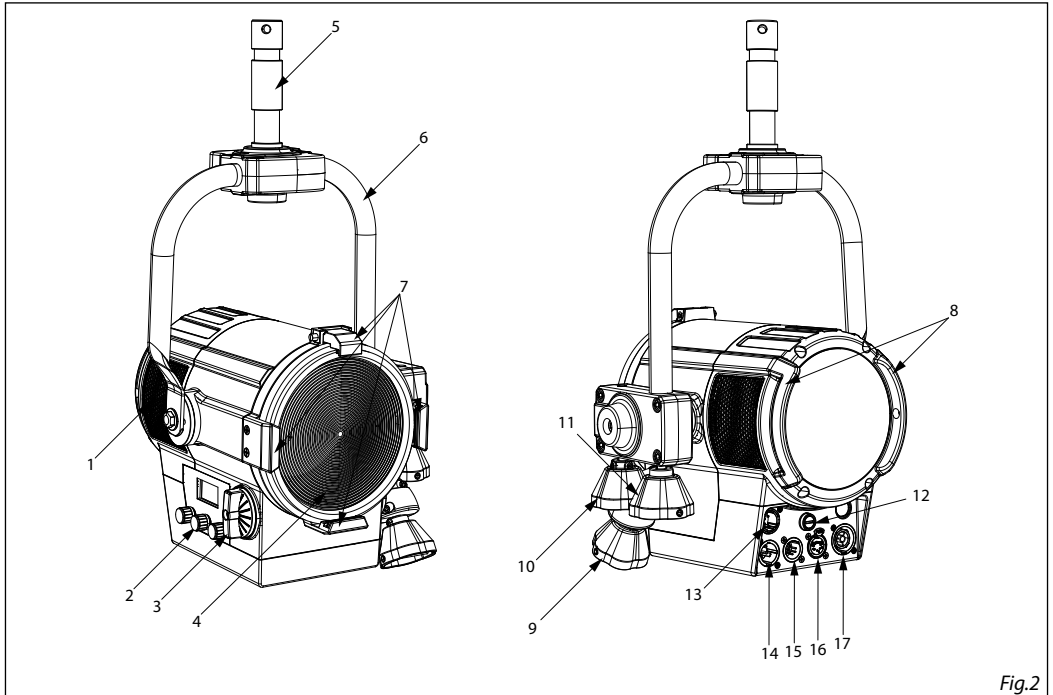


Fig.2

1. VENTILATION GRID for air flow outlet not to be obstructed.
2. CONTROL PANEL with display and 3 buttons used to access the control panel functions and manage them.
3. ZOOM ADJUSTMENT AND FOCUS knob to zoom the projected image clearly.
4. LENS
5. SPIGOT
6. POLE OPERATED BRACKET
7. GUIDE for locking and releasing accessories.
8. HANDLE
9. YELLOW POLE OPERATOR: Zoom pole operator.
10. WHITE POLE OPERATOR: Tilt pole operator.
11. BLUE POLE OPERATOR: Pan pole operator.
12. MAIN FUSE HOLDER: replace a burnt-out fuse by one of the same type only
13. BATTERY 4pin-in.
14. POWER IN (PowerCON IN): for connection to a socket (100-240V~/50-60Hz) via the supplied mains cable.
15. DMX IN (5-pole XLR): 1 = ground, 2 = DMX-, 3 = DMX+, 4 N/C, 5 N/C.
16. DMX OUT (5-pole XLR): 1 = ground, 2 = DMX-, 3 = DMX+, 4 N/C, 5 N/C.
17. POWER OUT (PowerCON OUT): power output for connection of multiple units in series.

1.4 ECLFRSJB4

Battery pack kit for EclipseFresnelJ series, composed by ABS case, 4 pcs battery, 1 pc charger, 4 pcs male-male cable and 4 pcs male-female cables.

BATTERY TECHNICAL SPECIFICATIONS

- Estimated battery life in single colour mode up to: (R) 8 h - (G) 8 h - (B) 7 h - (L) 3 h - (O) 4 h - (RB) 7h
- Estimated battery life in full-mode up to: (TW) 1,25 h - (TU, DY) 1,5h
- Re-charge time: 5h/max

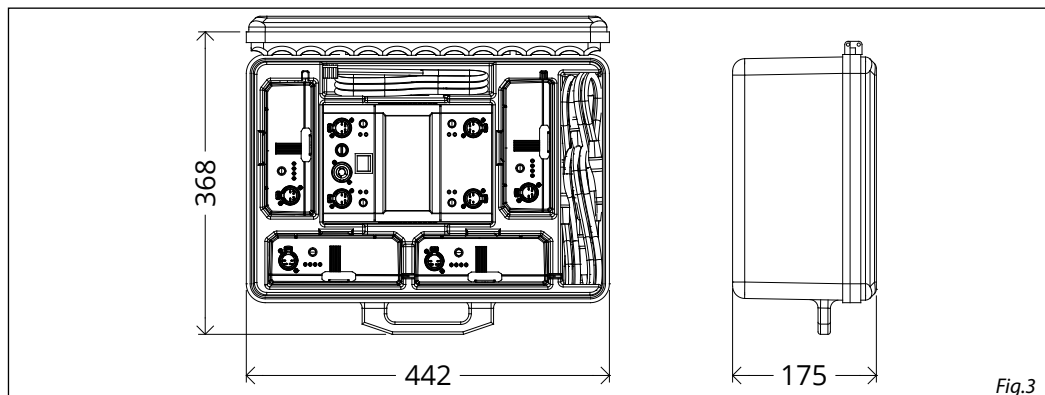


Fig.3

1.5 OPERATING ELEMENTS AND CONNECTIONS

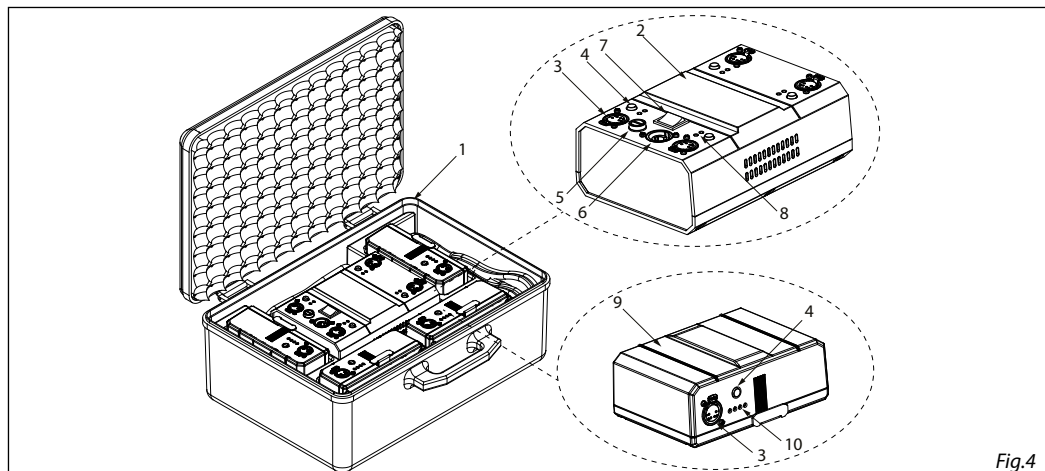


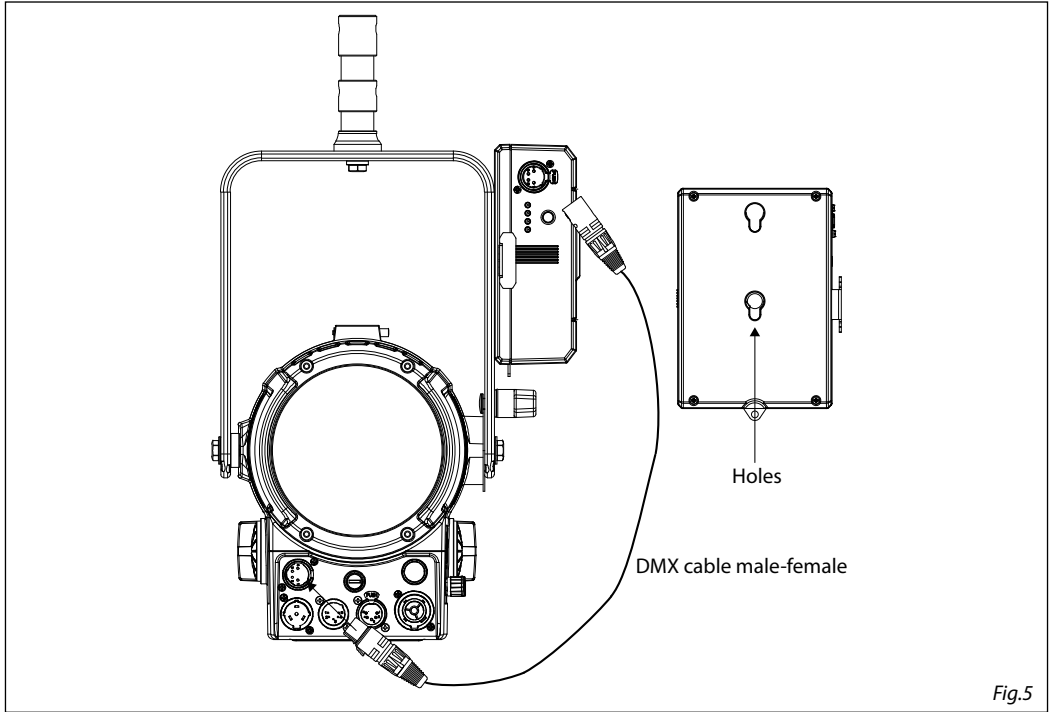
Fig.4

1. ABS case
2. CHARGER
3. CHARGER OUT
4. Button to start charging
5. MAIN FUSE HOLDER: replace a burnt-out fuse by one of the same type only
6. POWER IN (PowerCON IN): for connection to

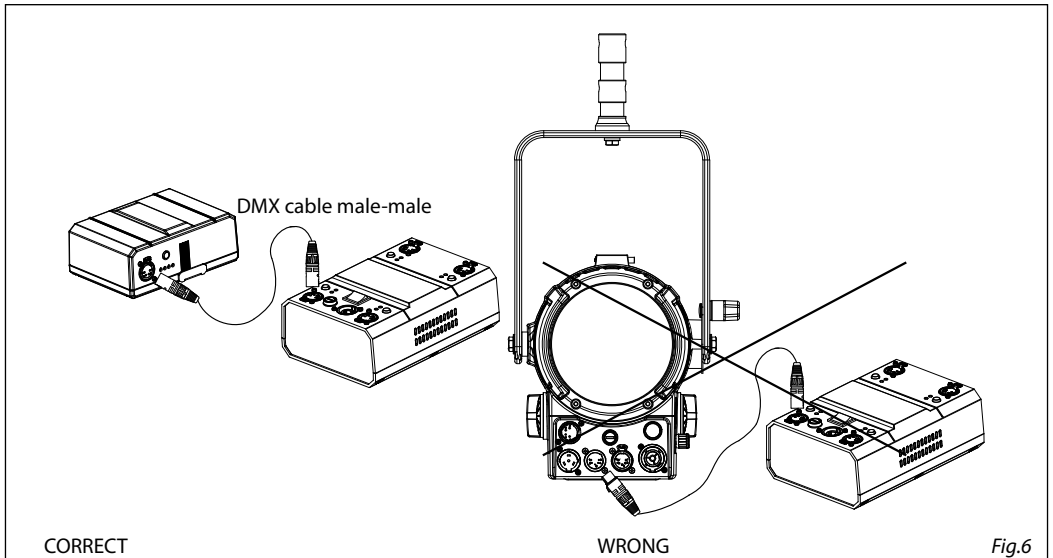
a socket (100-240V~/50-60Hz) via the supplied mains cable.

7. SWITCH
8. Charger status LED: if it is red, the battery is charging, if it is green, the battery is charged.
9. BATTERY
10. Battery status LED

MOUNTING



IMPORTANT: do not connect this charger directly to the ECLIPSEFESNELJ, please connect this charger only with the battery as power charger.



- 2 - INSTALLATION

2.1 MOUNTING

ECLFRJPTW may be set up on a solid and even surface. The unit can also be mounted upside down to a cross arm. For fixing, stable mounting clips are required. The mounting place must be of sufficient stability and be able to support a weight of 10 times of the unit's weight.

When carrying out any installation, always comply scrupulously with all the regulations (particularly regarding safety) currently in force in the country in which the fixture's being used.

- Install the projector at a suitable location by means of the mounting bracket.
- Always additionally secure the projector with the safety rope from falling down. For this purpose, fasten the safety rope at a suitable position so that the maximum fall of the projector will be 20 cm.
- Adjust the projector and use the knob to slightly release or tighten the locking mechanism of the bracket if is necessary.

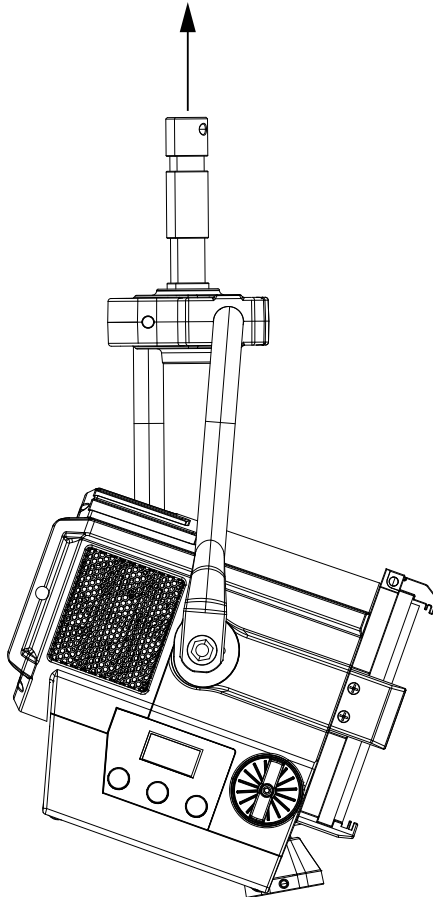


Fig.7

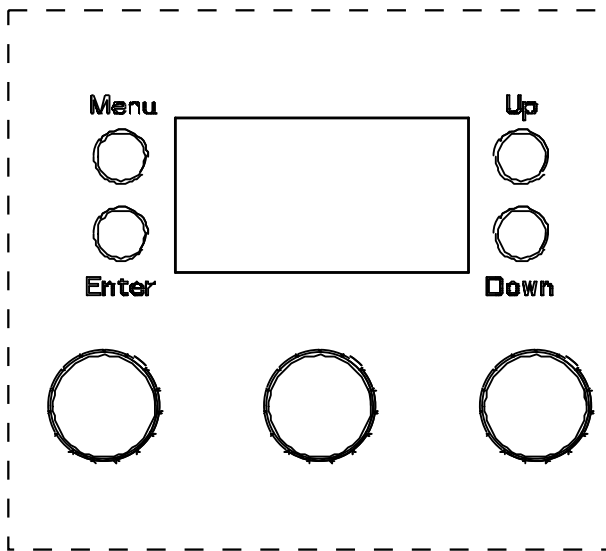
- 3 - FUNCTIONS AND SETTINGS

3.1 OPERATION

Connect the supplied main cable to a socket (100-240 VAC-50/60 Hz). Then the unit is ready for operation and can be operated via a DMX controller or it independently performs its show program in succession. To switch off, disconnect the mains plug from the socket. For a more convenient operation it is recommended to connect the unit to a socket which can be switched on and off via a light switch.

3.2 BASIC

Access control panel functions using the four panel buttons located directly underneath the LED Display (fig.8).



MENU	UP	DOWN	ENTER
Used to access the menu or to return a previous menu option	Navigates downwards through the menu list and increases the numeric value when in a function	Navigates upwards through the menu list and decreases the numeric value when in a function	Used to select and store the current menu or confirm the current function value or option within a menu

Fig.8- Functions of the buttons

3.3 MENU STRUCTURE

MENU	
1	CONNECT ⇒ DMX Address ⇒ Value (001-512) Default: 001
	DMX Mode ⇒ 1CH ⇒ Amber Shift on
	Color Temperature ⇒ CTO 2800 - 10000K Default: 2800K
	Color Picker ⇒ 3200K Default: 3200K
	71
	97
	100
	...
	777
	Customization ⇒ Red (000~255) Default: 255
	Orange (000~255)
	Green (000~255)
	Royal Blue (000~255)
	Blue (000~255)
	Lime (000~255)
	2CH ⇒ Amber Shift on
	Color Temperature ⇒ CTO 2800 - 10000K Default: 2800K
	Color Picker ⇒ 3200K Default: 3200K
	71
	97
	100
...	
777	
Customization ⇒ Red (000~255) Default: 255	
Orange (000~255)	
Green (000~255)	
Royal Blue (000~255)	
Blue (000~255)	
Lime (000~255)	
5CH1	
5CH2	
7CH1	
7CH2 ⇒ Color Picker ⇒ No Action	
3200K	
71	
97	
100	
...	
777	
8CH	
9CH	
12CH	
13CH	
16CH	
19CH	
21CH	
2	SETUP ⇒ Screen ⇒ Back Light ⇒ On Default: 10 s
	10 s
	20 s
	30 s
Flip Display ⇒ No-Yes Default: No	
Key Lock ⇒ No-Yes Default: No	

Default: 19CH

3	ADVANCED	⇒ Full On Mode	⇒ HB Studio		Default: Studio	
		Dimmer Mode	⇒ Off Dimmer 1 Dimmer 2 Dimmer 3		Default: Off	
		White Balance	⇒ Off			
			Adjust	⇒ Red (125~255) Orange (125~255) Green (125~255) Royal Blue (125~255) Blue (125~255) Lime (125~255)		Default: Off
		Led Frequency	⇒ 600Hz 1200 Hz 2000 Hz 4000 Hz 6000Hz 25kHz			Default: 1200Hz
		Fan Mode	⇒ Auto On Off Silent			Default : Auto
		Factory Reload	⇒ No-Yes	No-Yes		Default: No
4	INFORMATION	⇒ Fixture Tlme	⇒	0-9999		
		Version	⇒	V1.0		
		UID	⇒	15D0021F****		
5	STAND ALONE	⇒ Master/Slave	⇒ Master Slave		Default : Slave	
		Effects	⇒ Effect1 Effect2 Effect3 Effect4	⇒ (1~100)	Default: Effect4 Speed=100	
		CCT				
		HSI				
		Color Tempera- ture	⇒ 2800K 3000K 3200K 3400K 3600K 3800K 4000K 4200K 4400K 4600K 4800K 5000K 5200K 5400K 5600K 5800K 6000K 6200K 6400K	⇒ 6600K 6800K 7000K 7200K 7400K 7600K 7800K 8000K 8200K 8400K 8600K 8800K 9000K 9200K 9400K 9600K 9800K 10000K	⇒ Dimmer (000~255) Hue (025~025)	Default : 6000K Dimmer=255 Hue=0

Fixed Color	⇒	R	R.O.G	R.O.G.B	⇒	Dimmer (000~255)	Default: R.O.G.RB.B.L Dimmer=255
		O	R.O.RB	R.O.G.L			
		G	R.O.B	R.O.RB.B			
		RB	R.O.L	R.O.RB.L			
		B	R.G.RB	R.O.B.L			
		L	R.G.B	R.G.RB.B			
		R.O	R.G.L	R.G.RB.L			
		R.G	R.RB.B	R.G.B.L			
		R.RB	R.RB.L	R.RB.B.L			
		R.B	R.B.L	O.G.RB.B			
		R.L	O.G.RB	O.G.RB.L			
		O.G	O.G.B	O.G.B.L			
		O.RB	O.G.L	O.RB.B.L			
		O.B	O.RB.B	G.RB.B.L			
		O.L	O.RB.L	R.O.G.RB.B			
		G.RB	O.B.L	R.O.G.RB.L			
		G.B	G.RB.B	R.O.G.B.L			
		G.L	G.RB.L	R.O.RB.B.L			
		RB.B	G.B.L	R.G.RB.B.L			
		RB.L	RB.B.L	O.G.RB.B.L			
B.L	R.O.G.RB	R.O.G.RB.B.L					
Color Picker	⇒	3200K	124	166	⇒	Dimmer (000~255)	Default: 3200K
		71	126	170			
		97	128	174			
		100	130	179			
		101	132	180			
		102	134	181			
		103	135	182			
		104	136	195			
		105	137	197			
		106	138	198			
		107	139	200			
		110	141	201			
		111	144	202			
		113	147	203			
		115	151	204			
		116	152	205			
		117	156	206			
		118	157	702			
		119	158	730			
120	161	777					
121	164						
122	165						
Manual Color	⇒	Red			⇒	(000~255)	Default: RGBW=255
		Orange					
		Green					
		Royal Blue					
		Blue					
Lime							

3.4 DMX MODE

- To set the DMX address, press the button MENU so many times until the display shows **Connect**, then select through the buttons UP/DOWN **Dmx Address**, then press the button ENTER.
- Press UP/DOWN button to select the desired value (**001-512**). Press and hold to scroll quickly.
- Press ENTER button to store.
- Press the MENU button to go back or to meet the waiting time to exit the setup menu.

To operate the ECLFRJPTW with a light controller, adjust the DMX start address for the first a DMX channel. For example, If the controller is provided with to command the function of the first DMX channel, adjust the start address 33 on the ECLFRJPTW. The other functions of the light effect panel are then automatically assigned to the following addresses.

An example with the start address 33 is shown below:

Number of DMX channels	Start address (example)	DMX Address occupied	Next possible start address for unit No. 1	Next possible start address for unit No. 2	Next possible start address for unit No. 3
1	33	33	34	35	36
2	33	33-34	35	37	39
5	33	33 - 37	38	43	48
7	33	33 - 39	40	47	54
8	33	33 - 40	41	49	57
9	33	33 - 41	42	51	60
12	33	33 - 44	45	57	69
13	33	33 - 45	46	59	72
16	33	33 - 48	49	65	81
19	33	33 - 51	52	71	90
21	33	33 - 53	54	75	96

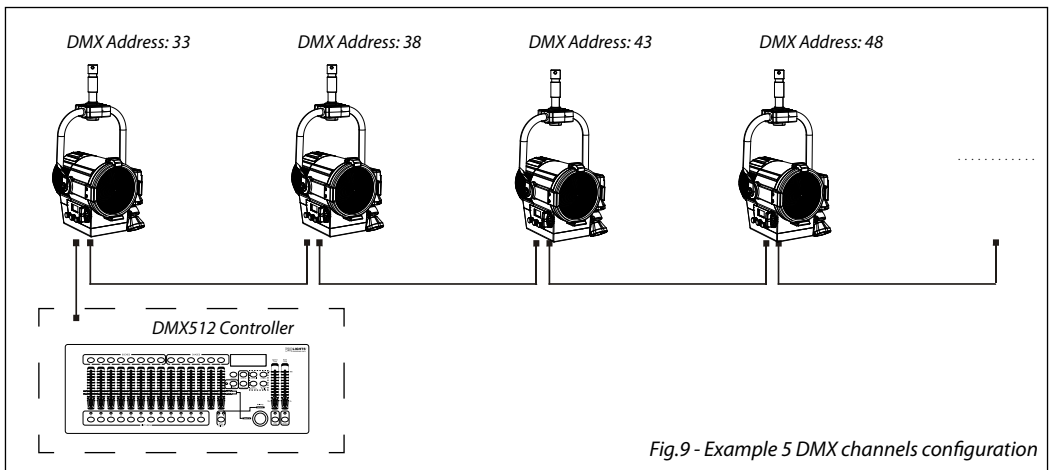


Fig.9 - Example 5 DMX channels configuration

3.5 DMX CONFIGURATION

ECLFRJPTW has several DMX channel configurations that can be accessed from the control panel.

- Press the button MENU so many times until the display shows **Connect**, then select through the buttons UP/DOWN **DMX Channel**, then press the button ENTER.
- Select the desired DMX configuration (**1CH, 2CH, 5CH1, 5CH2, 7CH1, 7CH2, 9CH, 12CH, 13CH, 16CH, 19CH, 21CH**) through the buttons UP/DOWN.

3.6 LINKING

1. Connect the DMX OUT output of the main unit to the DMX IN input of the first secondary unit using a 5-pin XLR cable.
2. Connect the DMX OUT output of the first secondary unit to the DMX IN input of the second secondary unit, etc.

3.7 SCREEN

It is possible to modify the following parameters, related to the display, following the same procedure:

- Press the button MENU to enter the menu mode.
- Press UP/DOWN button to scroll through the menu, select **Set Up**, then press the ENTER button to access the next menu.
- Press UP/DOWN button to select **Screen** and press the ENTER button to proceed.
- Select the proposed option and press the ENTER button to confirm.
 - **Backlight** - Auto Off display backlight. This function allows you to switch off automatically the backlighting of the display after a certain time which can be set using the directional keys. To have the display always on select **On** or set a value between those shown (**10s, 20s, 30s**) to turn off the display once the chosen time has elapsed, after exiting the menu.
 - **Flip Display** - Display orientation. This feature allows you to rotate the display by 180 ° to get a better view of the display when the unit is hanging upside down. Select **Yes** to activate the function, **No** to deactivate it.
 - **Key lock** - With this function, you can lock the keys on the control panel to prevent, for example, tampering with the settings. If this function is activated, the keys are locked automatically. To disable or temporarily disable or disable the key lock function, press the keys in the following order to regain access to the menu commands: UP, DOWN, UP, DOWN, ENTER. Select **Yes** to activate the function or **No** to deactivate it.
- Press the ENTER button to confirm the selection.
- Press the MENU button to go back or to meet the waiting time to exit the setup menu.

3.8 ADVANCED

You can change the parameters for the device by following these steps:

- Press the button MENU to enter the menu mode.
- Press UP/DOWN button to select the **Advanced**. Press the ENTER button to confirm.
- Press UP/DOWN button to select the desired option and press the ENTER button to confirm:
 - **Full On Mode** - Select the **Full on Mode** function to set the **HB** mode (High Brightness Mode, with the maximum value of the colours) or **Studio** mode with a automatic white balance.
 - **Dimmer Mode** - Adjusting the dimmer. Enter in **Dimmer Mode** to select specific dimming curve. Particularly when set:
 - **Off**: The increase in light intensity is linear.
 - **Dimmer 1**: dimmer curve with low fade.
 - **Dimmer 2**: dimmer curve with medium fade.

- **Dimmer 3:** dimmer curve with high fade.
 - **White Balance** - To balance the white on each colour. Select the colour (**Red, Orange, Green, Royal Blue, Blue and Lime**) and the value (**125 ~ 255**) using the UP / DOWN button and press the ENTER button to confirm.
 - **LED Frequency** - To adjust the frequency of the LEDs. Select the frequency **600 Hz ~ 25 KHz** using the UP / DOWN button and press ENTER to confirm the selection.
 - **Fan Mode** - Fan Speed. Select the fan speed (**Auto, On, Off, Silent**) using the UP / DOWN button.
 - **Factory Reload** - To reset the unit. Select **Yes** or **No** and select the UP / DOWN button to confirm.
- Press the MENU button to go back or to meet the waiting time to exit the setup menu.

3.9 INFORMATION

To view all the information on the device, proceed as follows:

- Press the button MENU to enter the menu mode.
- Press UP/DOWN button to select **Information**, then press the ENTER button to access the next menu.
- Press UP/DOWN button to scroll through the menu, then select one of the following informationa and press the ENTER button to display it.
 - **Fixture Time** - To view the operating time of the projector.
 - **Software Version** - To view the firmware version will show on the display.
 - **UID** - To view the identification ID for the RDM control.
- Press the MENU button to go back or to meet the waiting time to exit the setup menu.

3.10 MASTER/SLAVE MODE

This mode will allow you to link up the units together without a controller. The first unit will be set as master and other units will work as slave with the same effect.

- Press the button MENU so many times until the display shows **Stand Alone**, then select throught the buttons UP/DOWN **Master/Slave**, then press the button ENTER.
- Press UP/DOWN and select the **Master/Slave** mode to set the unit as master or slave (**Master, Slave**).
- Use the ECLFRJPTW DMX connectors and an XLR cable to form a drive chain. In certain conditions and lengths, it is recommended to terminate as shown on page 18.

3.11 EFFECTS

This fixture has a built-in automatic program. To access this, please see the below instructions:

- To enter the **Effects** mode, press the ENTER button to access the menu.
- Press UP/DOWN button to select **Stand Alone**, then select **Effect**. Press ENTER to confirm
- Press UP/DOWN button to select the desired program **Effect 1, Effect 2, Effect 3, Effect 4, Effect 5** then press ENTER to confirm.
- Set the value (**1 - 100**), then press the ENTER button to confirm.

3.12 STATIC MODE

This fixture has the ability to accept custom static color settings. Access these chases via the control panel on the back of the fixture.

- Press the MENU button so many times until the display shows **Stand Alone**, then press the ENTER button.
- Select **Fixed Color** through the UP/DOWN buttons, then press the ENTER button.
- Set the colors **R, O, G, W, RB, B, L, R.O.G.RB.B.L... R.G.RB.B.L, O.G.RB.B.L, R.O.G.RB.B.L** through the UP/DOWN buttons, then press the ENTER button.
- Press the MENU button to go back or to meet the waiting time to exit the setup menu.

3.13 MANUAL MODE

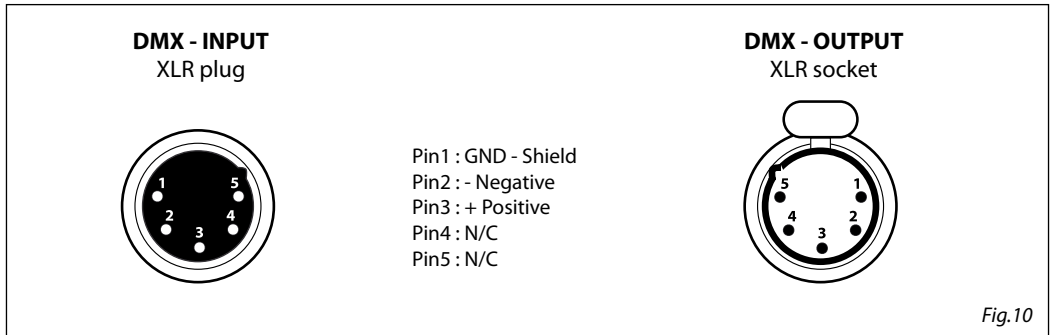
To set the customized balance of red, orange, green, royal blue, blue and lime colors, refer to the following procedure:

- Press the button MENU so many times until the display shows **Stand Alone**, then select through the buttons UP/DOWN **Static**, then press the button ENTER.
- Select **Manual Color Mixer** through the buttons UP/DOWN, then press the button ENTER.
- Select the color **Red, Orange, Green, Royal Blue, Blue, Lime** through the buttons UP/DOWN, then press the button ENTER.
- Using UP/DOWN button, select the desired color value **000 ~ 255**.
- Press ENTER button to continue to the next color **Red, Orange, Green, Royal Blue, Blue, Lime**.
- Continue until the desired mix is obtained.
- Press the MENU button to go back or to meet the waiting time to exit the setup menu.

3.14 CONNECTION OF THE DMX LINE

DMX connection employs standard XLR connectors. Use shielded pair-twisted cables with 120Ω impedance and low capacity.

The following diagram shows the connection mode:



ATTENTION

The screened parts of the cable (sleeve) must never be connected to the system's earth, as this would cause faulty fixture and controller operation.

Over long runs can be necessary to insert a DMX level matching amplifier.

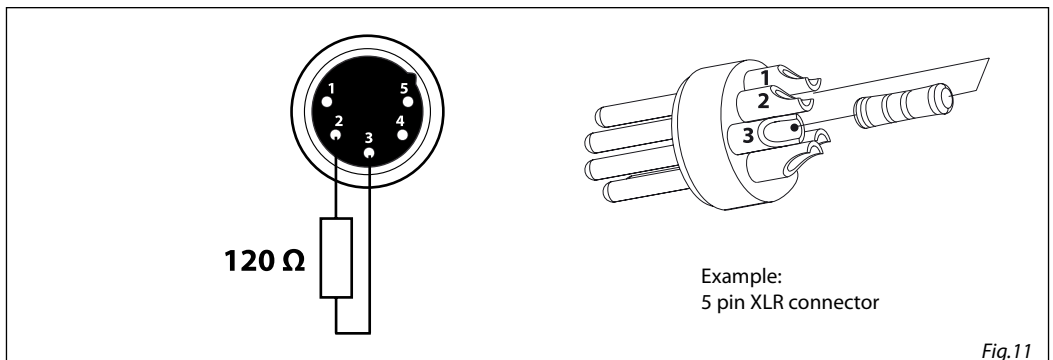
For those connections the use of balanced microphone cable is not recommended because it cannot transmit control DMX data reliably.

- Connect the controller DMX input to the DMX output of the first unit.
- Connect the DMX output to the DMX input of the following unit. Connect again the output to the input of the following unit until all the units are connected in chain.
- When the signal cable has to run longer distance is recommended to insert a DMX termination on the last unit.

3.15 CONSTRUCTION OF THE DMX TERMINATION

The termination avoids the risk of DMX 512 signals being reflected back along the cable when they reach the end of the line: under certain conditions and with certain cable lengths, this could cause them to cancel the original signals.

The termination is prepared by soldering a 120Ω 1/4 W resistor between pins 2 and 3 of the 5-pin male XLR connector, as shown in figure.



3.16 DMX CHANNELS

1 CHANNEL

MODE 1 Ch	FUNCTION	DMX Value
1	DIMMER 0~100%	000 - 255

2 CHANNELS

MODE 2 Ch	FUNCTION	DMX Value
1	DIMMER 0~100%	000 - 255
2	DIMMER SPEED MODE Preset dimmer speed from display menu Dimmer speed mode off Dimmer speed mode1 (fast speed) Dimmer speed mode2 (middle speed) Dimmer speed mode3 (slow speed)	000 - 051 052 - 101 102 - 152 153 - 203 204 - 255

5 CHANNELS 1

MODE 5 Ch1	FUNCTION	DMX Value
1	DIMMER 0~100%	000 - 255
2	CTO 2800K - 3000K 3000K - 3200K 3200K - 3400K 3400K - 3600K 3600K - 3800K 3800K - 4000K 4000K - 4200K 4200K - 4400K 4400K - 4600K 4600K - 4800K 4800K - 5000K 5000K - 5200K 5200K - 5400K 5400K - 5600K 5600K - 5800K 5800K - 6000K 6000K - 6200K 6200K - 6400K 6400K - 6600K 6600K - 6800K 6800K - 7000K 7000K - 7200K 7200K - 7400K 7400K - 7600K 7600K - 7800K 7800K - 8000K 8000K - 8200K 8200K - 8400K 8400K - 8600K 8600K - 8800K 8800K - 9000K 9000K - 9200K 9200K - 9400K 9400K - 9600K 9600K - 9800K 9800K - 10000K	000 - 007 007 - 014 014 - 021 021 - 028 028 - 035 035 - 042 042 - 049 049 - 056 056 - 063 063 - 070 070 - 077 077 - 084 084 - 091 091 - 098 098 - 105 105 - 112 112 - 119 119 - 126 126 - 133 133 - 140 140 - 147 147 - 154 154 - 161 161 - 168 168 - 175 175 - 182 182 - 189 189 - 196 196 - 203 203 - 210 210 - 217 217 - 224 224 - 231 231 - 238 238 - 245 245 - 255
3	HUE 0 -25°~25°	000 - 000 001 - 255
4	COLOR MACRO No Function Amber Shift on Color Macro	000 - 002 003 - 005 006 - 255
5	DIMMER SPEED MODE Preset dimmer speed from display menu Dimmer speed mode off Dimmer speed mode1 (fast speed) Dimmer speed mode2 (middle speed) Dimmer speed mode3 (slow speed)	000 - 051 052 - 101 102 - 152 153 - 203 204 - 255

5 CHANNELS 2

MODE 5 Ch2	FUNCTION	DMX Value
1	DIMMER 0~100%	000 - 255
2	DIMMER FINE 0~100%	000 - 255
3	CTO 2800K - 3000K 3000K - 3200K 3200K - 3400K 3400K - 3600K 3600K - 3800K 3800K - 4000K 4000K - 4200K 4200K - 4400K 4400K - 4600K 4600K - 4800K 4800K - 5000K 5000K - 5200K 5200K - 5400K 5400K - 5600K 5600K - 5800K 5800K - 6000K 6000K - 6200K 6200K - 6400K 6400K - 6600K 6600K - 6800K 6800K - 7000K 7000K - 7200K 7200K - 7400K 7400K - 7600K 7600K - 7800K 7800K - 8000K 8000K - 8200K 8200K - 8400K 8400K - 8600K 8600K - 8800K 8800K - 9000K 9000K - 9200K 9200K - 9400K 9400K - 9600K 9600K - 9800K 9800K - 10000K	000 - 007 007 - 014 014 - 021 021 - 028 028 - 035 035 - 042 042 - 049 049 - 056 056 - 063 063 - 070 070 - 077 077 - 084 084 - 091 091 - 098 098 - 105 105 - 112 112 - 119 119 - 126 126 - 133 133 - 140 140 - 147 147 - 154 154 - 161 161 - 168 168 - 175 175 - 182 182 - 189 189 - 196 196 - 203 203 - 210 210 - 217 217 - 224 224 - 231 231 - 238 238 - 245 245 - 255
4	COLOR MACRO No Function Amber Shift on Color Macro	000 - 002 003 - 005 006 - 255
5	DIMMER SPEED MODE Preset dimmer speed from display menu Dimmer speed mode off Dimmer speed mode1 (fast speed) Dimmer speed mode2 (middle speed) Dimmer speed mode3 (slow speed)	000 - 051 052 - 101 102 - 152 153 - 203 204 - 255

7 CHANNELS 1

MODE 7 Ch1	FUNCTION	DMX Value
1	RED 0~100%	000 - 255
2	ORANGE 0~100%	000 - 255
3	GREEN 0~100%	000 - 255
4	ROYAL BLUE 0~100%	000 - 255
5	BLUE 0~100%	000 - 255
6	LIME 0~100%	000 - 255
7	DIMMER SPEED MODE Preset dimmer speed from display menu Dimmer speed mode off Dimmer speed mode1 (fast speed) Dimmer speed mode2 (middle speed) Dimmer speed mode3 (slow speed)	000 - 051 052 - 101 102 - 152 153 - 203 204 - 255

7 CHANNELS 2

MODE 7 Ch2	FUNCTION	DMX Value
1	DIMMER 0~100%	000 - 255
2	RED 0~100%	000 - 255
3	ORANGE 0~100%	000 - 255
4	GREEN 0~100%	000 - 255
5	ROYAL BLUE 0~100%	000 - 255
6	BLUE 0~100%	000 - 255
7	LIME 0~100%	000 - 255

8 CHANNELS

MODE 8 Ch	FUNCTION	DMX Value
1	COLOR PICKER	
	No Function	000 - 000
	3200K	001 - 003
	71	004 - 007
	97	008 - 011
	100	012 - 015
	101	016 - 019
	102	020 - 023
	103	024 - 027
	104	028 - 031
	105	032 - 035
	106	036 - 039
	107	040 - 043
	110	044 - 047
	111	048 - 051
	113	052 - 055
	115	056 - 059
	116	060 - 063
	117	064 - 067
	118	068 - 071
	119	072 - 075
	120	076 - 079
	121	080 - 083
	122	084 - 087
	124	088 - 091
	126	092 - 095
	128	096 - 099
	130	100 - 103
	132	104 - 107
	134	108 - 111
	135	112 - 115
	136	116 - 119
	137	120 - 123
	138	124 - 127
	139	128 - 131
	141	132 - 135
144	136 - 139	
147	140 - 143	
151	144 - 147	
152	148 - 151	
156	152 - 155	
157	156 - 159	
158	160 - 163	
161	164 - 167	
164	168 - 171	
165	172 - 175	
166	176 - 179	
170	180 - 183	
174	184 - 187	
179	188 - 191	
180	192 - 195	
181	196 - 199	
182	200 - 203	
195	204 - 207	
197	208 - 211	

8 CHANNELS

MODE 8 Ch	FUNCTION	DMX Value
	198	212 - 215
	200	216 - 219
	201	220 - 223
	202	224 - 227
	203	228 - 231
	204	232 - 235
	205	236 - 239
	206	240 - 243
	702	244 - 247
	730	248 - 251
	777	252 - 255
2	DIMMER 0~100%	000 - 255
3	RED 0~100%	000 - 255
4	ORANGE 0~100%	000 - 255
5	GREEN 0~100%	000 - 255
6	ROYAL BLUE 0~100%	000 - 255
7	BLUE 0~100%	000 - 255
8	LIME 0~100%	000 - 255

9 CHANNELS

MODE 9 Ch	FUNCTION	DMX Value
1	DIMMER 0~100%	000 - 255
2	RED 0~100%	000 - 255
3	ORANGE 0~100%	000 - 255
4	GREEN 0~100%	000 - 255
5	ROYAL BLUE 0~100%	000 - 255
6	BLUE 0~100%	000 - 255
7	LIME 0~100%	000 - 255
8	STROBE No Function Strobe slow to fast	000 - 010 011 - 255
9	DIMMER SPEED MODE Preset dimmer speed from display menu Dimmer speed mode off Dimmer speed mode1 (fast speed) Dimmer speed mode2 (middle speed) Dimmer speed mode3 (slow speed)	000 - 051 052 - 101 102 - 152 153 - 203 204 - 255

12 CHANNELS

MODE 12 Ch	FUNCTION	DMX Value
1	DIMMER 0~100%	000 - 255
2	STROBE No Function Strobe slow to fast	000 - 010 011 - 255
3	RED	000 - 255
4	ORANGE	000 - 255
5	GREEN	000 - 255
6	ROYAL BLUE	000 - 255
7	BLUE	000 - 255
8	LIME	000 - 255
9	CTO 2800K - 3000K 3000K - 3200K 3200K - 3400K 3400K - 3600K 3600K - 3800K 3800K - 4000K 4000K - 4200K 4200K - 4400K 4400K - 4600K 4600K - 4800K 4800K - 5000K 5000K - 5200K 5200K - 5400K 5400K - 5600K 5600K - 5800K 5800K - 6000K 6000K - 6200K 6200K - 6400K 6400K - 6600K 6600K - 6800K 6800K - 7000K 7000K - 7200K 7200K - 7400K 7400K - 7600K 7600K - 7800K 7800K - 8000K 8000K - 8200K 8200K - 8400K 8400K - 8600K 8600K - 8800K 8800K - 9000K 9000K - 9200K 9200K - 9400K 9400K - 9600K 9600K - 9800K 9800K - 10000K No Function	000 - 007 007 - 014 014 - 021 021 - 028 028 - 035 035 - 042 042 - 049 049 - 056 056 - 063 063 - 070 070 - 077 077 - 084 084 - 091 091 - 098 098 - 105 105 - 112 112 - 119 119 - 126 126 - 133 133 - 140 140 - 147 147 - 154 154 - 161 161 - 168 168 - 175 175 - 182 182 - 189 189 - 196 196 - 203 203 - 210 210 - 217 217 - 224 224 - 231 231 - 238 238 - 245 245 - 252 253 - 255

12 CHANNELS

MODE 12 Ch	FUNCTION	DMX Value
10	HUE 0 -25°~25°	000 - 000 001 - 255
11	COLOR MACRO No Function Amber Shift on Color Macro	000 - 002 003 - 005 006 - 255
12	DIMMER SPEED MODE Preset dimmer speed from display menu Dimmer speed mode off Dimmer speed mode1 (fast speed) Dimmer speed mode2 (middle speed) Dimmer speed mode3 (slow speed)	000 - 051 052 - 101 102 - 152 153 - 203 204 - 255

13 CHANNELS

MODE 13 Ch	FUNCTION	DMX Value
1	RED 0~100%	000 - 255
2	RED FINE 0~100%	000 - 255
3	ORANGE 0~100%	000 - 255
4	ORANGE FINE 0~100%	000 - 255
5	GREEN 0~100%	000 - 255
6	GREEN FINE 0~100%	000 - 255
7	ROYAL BLUE 0~100%	000 - 255
8	ROYAL BLUE FINE 0~100%	000 - 255
9	BLUE 0~100%	000 - 255
10	BLUE FINE 0~100%	000 - 255
11	LIME 0~100%	000 - 255
12	LIME FINE 0~100%	000 - 255
13	DIMMER SPEED MODE Preset dimmer speed from display menu Dimmer speed mode off Dimmer speed mode1 (fast speed) Dimmer speed mode2 (middle speed) Dimmer speed mode3 (slow speed)	000 - 051 052 - 101 102 - 152 153 - 203 204 - 255

16 CHANNELS

MODE 16 Ch	FUNCTION	DMX Value
1	DIMMER 0~100%	000 - 255
2	DIMMER FINE 0~100%	000 - 255
3	RED 0~100%	000 - 255
4	RED FINE 0~100%	000 - 255
5	ORANGE 0~100%	000 - 255
6	ORANGE FINE 0~100%	000 - 255
7	GREEN 0~100%	000 - 255
8	GREEN FINE 0~100%	000 - 255
9	ROYAL BLUE 0~100%	000 - 255
10	ROYAL BLUE FINE 0~100%	000 - 255
11	BLUE 0~100%	000 - 255
12	BLUE FINE 0~100%	000 - 255
13	LIME 0~100%	000 - 255
14	LIME FINE 0~100%	000 - 255
15	STROBE No Function Strobe slow to fast	000 - 010 011 - 255
16	DIMMER SPEED MODE Preset dimmer speed from display menu Dimmer speed mode off Dimmer speed mode1 (fast speed) Dimmer speed mode2 (middle speed) Dimmer speed mode3 (slow speed)	000 - 051 052 - 101 102 - 152 153 - 203 204 - 255

19 CHANNELS

MODE 19 Ch	FUNCTION	DMX Value
1	DIMMER 0~100%	000 - 255
2	DIMMER FINE 0~100%	000 - 255
3	RED 0~100%	000 - 255
4	RED FINE 0~100%	000 - 255
5	ORANGE 0~100%	000 - 255
6	ORANGE FINE 0~100%	000 - 255
7	GREEN 0~100%	000 - 255
8	GREEN FINE 0~100%	000 - 255
9	ROYAL BLUE 0~100%	000 - 255
10	ROYAL BLUE FINE 0~100%	000 - 255
11	BLUE 0~100%	000 - 255
12	BLUE FINE 0~100%	000 - 255
13	LIME 0~100%	000 - 255
14	LIME FINE 0~100%	000 - 255
15	STROBE No Function Strobe slow to fast	000 - 010 011 - 255
16	CTO 2800K - 3000K 3000K - 3200K 3200K - 3400K 3400K - 3600K 3600K - 3800K 3800K - 4000K 4000K - 4200K 4200K - 4400K 4400K - 4600K 4600K - 4800K 4800K - 5000K 5000K - 5200K 5200K - 5400K 5400K - 5600K 5600K - 5800K 5800K - 6000K 6000K - 6200K 6200K - 6400K 6400K - 6600K 6600K - 6800K	000 - 007 007 - 014 014 - 021 021 - 028 028 - 035 035 - 042 042 - 049 049 - 056 056 - 063 063 - 070 070 - 077 077 - 084 084 - 091 091 - 098 098 - 105 105 - 112 112 - 119 119 - 126 126 - 133 133 - 140

19 CHANNELS

MODE 19 Ch	FUNCTION	DMX Value
16	6800K - 7000K 7000K - 7200K 7200K - 7400K 7400K - 7600K 7600K - 7800K 7800K - 8000K 8000K - 8200K 8200K - 8400K 8400K - 8600K 8600K - 8800K 8800K - 9000K 9000K - 9200K 9200K - 9400K 9400K - 9600K 9600K - 9800K 9800K - 10000K No Function	140 - 147 147 - 154 154 - 161 161 - 168 168 - 175 175 - 182 182 - 189 189 - 196 196 - 203 203 - 210 210 - 217 217 - 224 224 - 231 231 - 238 238 - 245 245 - 252 253 - 255
17	HUE 0 -25°~25°	000 - 000 001 - 255
18	COLOR MACRO No Function Amber Shift on Color Macro	000 - 002 003 - 005 006 - 255
19	DIMMER SPEED MODE Preset dimmer speed from display menu Dimmer speed mode off Dimmer speed mode1 (fast speed) Dimmer speed mode2 (middle speed) Dimmer speed mode3 (slow speed)	000 - 051 052 - 101 102 - 152 153 - 203 204 - 255

21 CHANNELS

MODE 21 Ch	FUNCTION	DMX Value
1	DIMMER 0~100%	000 - 255
2	DIMMER FINE 0~100%	000 - 255
3	STROBE No Function (shutter open) Strobe effect slow to fast No Function (shutter open) Random strobe effect slow to fast No Function (shutter open)	000 - 030 031 - 100 101 - 130 131 - 200 201 - 255
4	CTO 2800K - 3000K 3000K - 3200K 3200K - 3400K 3400K - 3600K 3600K - 3800K 3800K - 4000K 4000K - 4200K 4200K - 4400K 4400K - 4600K 4600K - 4800K 4800K - 5000K 5000K - 5200K 5200K - 5400K 5400K - 5600K 5600K - 5800K 5800K - 6000K 6000K - 6200K 6200K - 6400K 6400K - 6600K 6600K - 6800K 6800K - 7000K 7000K - 7200K 7200K - 7400K 7400K - 7600K 7600K - 7800K 7800K - 8000K 8000K - 8200K 8200K - 8400K 8400K - 8600K 8600K - 8800K 8800K - 9000K 9000K - 9200K 9200K - 9400K 9400K - 9600K 9600K - 9800K 9800K - 10000K	000 - 007 007 - 014 014 - 021 021 - 028 028 - 035 035 - 042 042 - 049 049 - 056 056 - 063 063 - 070 070 - 077 077 - 084 084 - 091 091 - 098 098 - 105 105 - 112 112 - 119 119 - 126 126 - 133 133 - 140 140 - 147 147 - 154 154 - 161 161 - 168 168 - 175 175 - 182 182 - 189 189 - 196 196 - 203 203 - 210 210 - 217 217 - 224 224 - 231 231 - 238 238 - 245 245 - 255
5	HUE -25 to 0 No Function 0 to +25	000 - 126 127 - 127 128 - 255
6	CROSSFADE 0~100%	000 - 255
7	RED 0~100%	000 - 255

21 CHANNELS

MODE 21 Ch	FUNCTION	DMX Value
8	RED FINE 0~100%	000 - 255
9	ORANGE 0~100%	000 - 255
10	ORANGE FINE 0~100%	000 - 255
11	GREEN 0~100%	000 - 255
12	GREEN FINE 0~100%	000 - 255
13	ROYAL BLUE 0~100%	000 - 255
14	ROYAL BLUE FINE 0~100%	000 - 255
15	BLUE 0~100%	000 - 255
16	BLUE FINE 0~100%	000 - 255
17	LIME 0~100%	000 - 255
18	LIME FINE 0~100%	000 - 255
19	COLOR MACRO No Function Amber Shift on Color Macro	000-002 003-005 006-255
20	CTO ON COLORS 0~100%	000 - 255
21	DIMMER SPEED MODE Preset dimmer speed from display menu Dimmer speed mode off Dimmer speed mode1 (fast speed) Dimmer speed mode2 (middle speed) Dimmer speed mode3 (slow speed)	000-051 052-101 102-152 153-203 204-255

- 4 - MAINTENANCE

4.1 MAINTENANCE AND CLEANING THE UNIT

- Make sure the area below the installation place is free from unwanted persons during setup.
- Switch off the unit, unplug the main cable and wait until the unit has cooled down.
- All screws used for installing the device and any of its parts should be tightly fastened and should not be corroded.
- Housings, fixations and installation spots (ceiling, trusses, suspensions) should be totally free from any deformation.
- The main cables must be in impeccable condition and should be replaced immediately even when a small problem is detected.
- It is recommended to clean the front at regular intervals, from impurities caused by dust, smoke, or other particles to ensure that the light is radiated at maximum brightness. For cleaning, disconnect the main plug from the socket. Use a soft, clean cloth moistened with a mild detergent. Then carefully wipe the part dry. For cleaning other housing parts use only a soft, clean cloth. Never use a liquid, it might penetrate the unit and cause damage to it.

4.2 FUSE REPLACEMENT

1. Disconnect this product from the power outlet.
2. Using a screwdriver, unscrew the fuse holder cap from the housing.
3. Remove the blown fuse and replace with a good fuse of the same type and rating.
4. Screw the fuse holder cap back in place and reconnect power

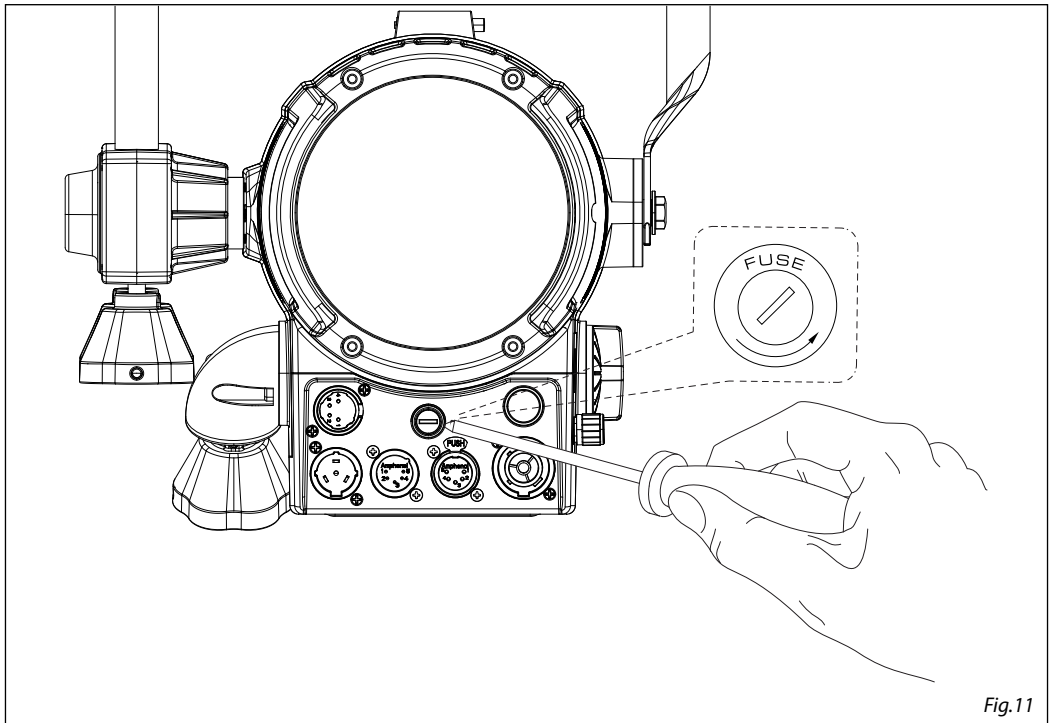


Fig.11

4.3 TROUBLESHOOTING

Problems	Possible causes	Checks and remedies
Fixture does not light up	<ul style="list-style-type: none"> • No mains supply • Dimmer fader set to 0 • Faulty LED 	<ul style="list-style-type: none"> • Check the power supply voltage • Increase the value of the dimmer channels • Replace the LED board
General low light intensity	<ul style="list-style-type: none"> • Dirty lens assembly • Misaligned lens assembly 	<ul style="list-style-type: none"> • Clean the fixture regularly • Install lens assembly properly
Fixture does not power up	<ul style="list-style-type: none"> • No power • Loose or damaged power cord 	<ul style="list-style-type: none"> • Check for power on power outlet • Check power cord

Contact an authorized service center in case of technical problems or not reported in the table can not be resolved by the procedure given in the table.

Music & Lights S.r.l. si riserva ogni diritto di elaborazione in qualsiasi forma delle presenti istruzioni per l'uso.
La riproduzione - anche parziale - per propri scopi commerciali è vietata.

Al fine di migliorare la qualità dei prodotti, la Music&Lights S.r.l. si riserva la facoltà di modificare, in qualunque momento e senza preavviso, le specifiche menzionate nel presente manuale di istruzioni.
Tutte le revisioni e gli aggiornamenti sono disponibili nella sezione 'Manuali' sul sito www.musiclights.it

INDICE**Sicurezza**

Simboli	4
Avvertenze generali	5
Omologazioni	5
Prevenzione incendi	5
Prevenzione delle scosse elettriche	5
Sicurezza fotobiologica	6
Avvertenze	6
Direttiva sui rifiuti di apparecchiature elettriche ed elettroniche (RAEE)	6

1 Introduzione

1. 1 Descrizione	7
1. 2 Specifiche tecniche	7
1. 3 Elementi di comando e di collegamento	8
1. 4 ECLFRSJP4	10
1. 5 elementi di comando e collegamenti	10

2 Installazione

2. 1 Montaggio	12
----------------------	----

3 Funzioni e impostazioni

3. 1 Funzionamento	13
3. 2 Impostazione base	13
3. 3 Struttura menù	14
3. 4 Modalità DMX	17
3. 5 Configurazione canali	18
3. 6 Collegamento	18
3. 7 Screen	18
3. 8 Advanced	19
3. 9 Informazioni sul dispositivo	19
3. 10 Modalità Master/Slave	19
3. 11 Effects	19
3. 12 Modalità Static	20
3. 13 Modalità Manual	20
3. 14 Collegamenti della linea DMX	21
3. 15 Costruzione del terminatore DMX	21
3. 16 Canali DMX	22

4 Manutenzione

4. 1 Manutenzione e pulizia del sistema ottico	29
4. 2 Sostituzione fusibile	29
4. 3 Risoluzione dei problemi	30

Contenuto dell'imballo:

- ECLFRJPTW
- ECLIPSEFRSJBD
- ECLFRSPG
- Cavo di alimentazione
- Manuale utente



ATTENZIONE! Prima di effettuare qualsiasi operazione con l'unità, leggere con attenzione questo manuale e conservarlo accuratamente per riferimenti futuri. Contiene informazioni importanti riguardo l'installazione, l'uso e la manutenzione dell'unità.



SIMBOLI



RISCHIO DI SCOSSE ELETTRICHE



LEGGERE IL MANUALE UTENTE



RISCHIO GENERALE / ATTENZIONE



NON CONSERVARE ALLA FONTE DI LUCE DI FUNZIONAMENTO



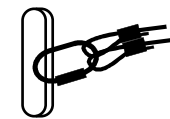
RIFIUTI ATTREZZATURE ELETTRICHE ED ELETTRONICHE

T_a 45°C

TEMPERATURA AMBIENTE OPERATIVA MASSIMA



USO INTERNO



PUNTO DI FISSAGGIO PER CAVO DI SICUREZZA



CONFORMITÀ DELL'UNIONE EUROPEA





ATTENZIONE! Prima di effettuare qualsiasi operazione con l'unità, leggere con attenzione questo manuale e conservarlo accuratamente per riferimenti futuri. Contiene informazioni importanti riguardo l'installazione, l'uso e la manutenzione dell'unità.




SICUREZZA

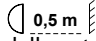
Avvertenze generali

- L'unità non per uso domestico, solo per uso professionale. 
- Le operazioni di collegamento alla rete di distribuzione dell'energia elettrica devono essere effettuate da un installatore elettrico qualificato.
- Scollegare sempre il dispositivo dalla rete prima della manutenzione.
- È obbligatorio effettuare il collegamento ad un impianto di alimentazione dotato di un'efficiente messa a terra (apparecchio di Classe I secondo norma EN 60598-1). Si raccomanda, inoltre, di proteggere le linee di alimentazione delle unità dai contatti indiretti e/o cortocircuiti verso massa tramite l'uso di interruttori differenziali opportunamente dimensionati.
- Non modificare l'apparecchiatura in alcun modo non descritto nel presente manuale o installare parti diverse da quelle originali Music & Lights. Non applicare filtri, lenti o altri materiali su obiettivi o altri componenti ottici. Utilizzare solo accessori approvati da Music & Lights.
- Se il dispositivo dovesse trovarsi ad operare in condizioni differenti da quelle descritte nel presente manuale, potrebbero verificarsi dei danni; in tal caso la garanzia verrebbe a decadere.
- Si declina ogni responsabilità derivata dall'uso improprio del prodotto. 

Omologazioni

- I prodotti a cui questo manuale si riferisce sono conformi alle Direttive della Comunità Europea LVD (Low Voltage Directive) 2014/35/EC, EMC (Electromagnetic Compatibility Directive) 2014/30/EU, RoHS (Restriction of Hazardous Substances Directive) 2011/65/CE e pertanto recano la sigla 

Prevenzione incendi

- La distanza minima tra il proiettore e le pareti circostanti e i materiali infiammabili deve essere superiore a 50 cm e non devono essere ostruite, in nessun caso, le aperture di aerazione. 
- Sostituire un fusibile difettoso, bruciato o danneggiato solo con uno dello stesso tipo. Per la sostituzione del fusibile fare riferimento al paragrafo "Manutenzione".
- Non utilizzare l'unità se la temperatura ambiente supera i 45 °C (122 °F). $T_a 45^\circ\text{C}$
- La superficie dell'apparecchio può raggiungere fino a 50 °C (158 °F) durante il funzionamento. Evitare il contatto con persone e materiali.
- Accertarsi che vi sia un flusso d'aria libero e senza ostacoli intorno all'apparecchio.

Prevenzione delle scosse elettriche



- Il dispositivo funziona con pericolosa tensione di rete 230V~. Non intervenire mai al suo interno al di fuori delle operazioni descritte nel presente manuale; esiste il pericolo di una scarica elettrica.
- Scollegare l'alimentazione dell'unità quando non in uso.
- L'apparecchio deve essere posizionato in luoghi con una buona ventilazione.
- Fare riferimento a qualsiasi operazione di assistenza non descritta in questo manuale al supporto tecnico Music & Lights.
- Isolare immediatamente l'unità dall'alimentazione se eventuali guarnizioni, coperture, cavi o altri componenti sono danneggiati, difettosi, deformati o che mostrano segni di surriscaldamento. Non riapplicare l'alimentazione finché non sono state completate le riparazioni. Prima di utilizzare l'unità, verificare che tutte i componenti e i cavi di distribuzione dell'alimentazione siano in perfette condizioni.



ATTENZIONE! Prima di effettuare qualsiasi operazione con l'unità, leggere con attenzione questo manuale e conservarlo accuratamente per riferimenti futuri. Contiene informazioni importanti riguardo l'installazione, l'uso e la manutenzione dell'unità.



Sicurezza fotobiologica



- Questo dispositivo è un prodotto identificato nel gruppo di rischio 2 secondo EN 62471.
- Emette radiazioni ottiche potenzialmente pericolose. Rientra nelle categorie del gruppo di rischio secondo la norma EN 62471.
- Non guardare direttamente la sorgente LED durante il funzionamento. Può essere dannoso per gli occhi e per la pelle.



Avvertenze



- Questo dispositivo è classificato IP20. Non è adatto per l'uso in luoghi umidi. Evitare di utilizzare l'unità in luoghi soggetti a vibrazioni, o a possibili urti;
- Evitare che nell'unità penetrino liquidi infiammabili, acqua o oggetti metallici.

Direttiva sui rifiuti di apparecchiature elettriche ed elettroniche (RAEE)



- L'unità, gli accessori e l'imballaggio devono essere ordinati per un riciclaggio rispettoso dell'ambiente.
- Per i paesi della CE: secondo la Direttiva europea 2012/19 / CE per i rifiuti di apparecchiature elettriche ed elettroniche e la sua attuazione nel diritto nazionale, gli apparecchi che non sono più utilizzabili devono essere raccolti separatamente e smaltiti in modo ecologicamente corretto.

- 1 - INTRODUZIONE

1.1 DESCRIZIONE

ECLFRJPTW è una fresnel LED di fascia alta, equivalente a proiettori alogeni da 650W. La specifica sorgente a 6 colori ci permette di riprodurre qualsiasi tonalità colore e coprire interamente lo spettro del bianco, da 2.800K a 10.000K con un elevato CRI. Il sistema ottico sfrutta la potenza di un LED customizzato da 130W con 6 colori per creare una proiezione uniforme, colori vivi e un bianco preciso, consentendo la possibilità di applicare la correzione +/- verde e magenta per integrarsi nell'uso televisivo con altre fonti di luce, oltre allo zoom manuale lineare 15°-45° ed alla totalità assenza di rumore grazie all'avanzato sistema di raffreddamento.

1.2 SPECIFICHE TECNICHE

SORGENTE LUMINOSA

- Sorgente: 130W sorgente LED personalizzata a 6 colori (rosso, arancio, ciano, blue reale, verde, giallo limone)
- CT: 2.800 K - 10.000K
- CRI: >90
- R9: >90
- Flusso luminoso: (15°) 1.637lm (51°) 2.700lm
- Lux: (15°) 2.067lx @3 m
- Lux: (51°) 421lx @3 m
- Durata media sorgente: >50.000 h

OTTICA

- Zoom: 15° - 51° manuale
- Angolo di campo: 26,7° - 75,6°
- Diametro: 6" - 150mm
- Tipo lente: fresnel zoom lens

SISTEMA COLORE

- Miscelazione del colore: bianco sintonizzabile + colori
- CTC: controllo CTC tramite canale DMX indipendente, regolazione +/- verde e magenta e attivazione amber shift da DMX
- Preset bianchi: 2.800 - 10.000K
- Ruota colori: ruota colori virtuale con preset
- Macros: macro con controllo di velocità e intensità incorporate

EFFETTI DINAMICI

- Modalità colore statico: riproduzione statica di un colore
- Modalità colore manuale: regolazione manuale dimmer e CT con correzione colore da manopola
- Auto mode: programmi integrati con regolazione della velocità di esecuzione
- Caratteristiche speciali: linear crossfade from a white to any color and CTO applied on colours

CORPO

- Hardware a bordo: included telaio del filtro, barndoor ad 8 porte e spigot per staffa OMEGA inclusi
- Corpo: corpo in alluminio pressofuso ad alta resistenza
- Colore: nero

CONTROLLO

- Protocolli: DMX512, RDM, local knob
- Canali DMX: 1 / 2 / 5 - 1 / 5 - 2 / 7 / 9 / 12 / 13 / 16 / 19 / 21channel
- RDM: RDM ready per controllo e impostazioni remote della fixture

- Display: display black OLED ad alta risoluzione
- Aggiornamento firmware: si, con interfaccia USB - DMX (UPBOX1) non inclusa
- Altro: 16bit control of dimmer and Color

ELETRONICA

- Dimmer: 0 ~ 100% lineare, elettronico
- Curve dimmer: 4 curve dimmer regolabili
- Strobe / shutter: 1-30 Hz, elettronico
- Flicker: frequenza senza flicker con PWM regolabile
- PWM selezionabile: 600~25K Hz

ALIMENTAZIONE

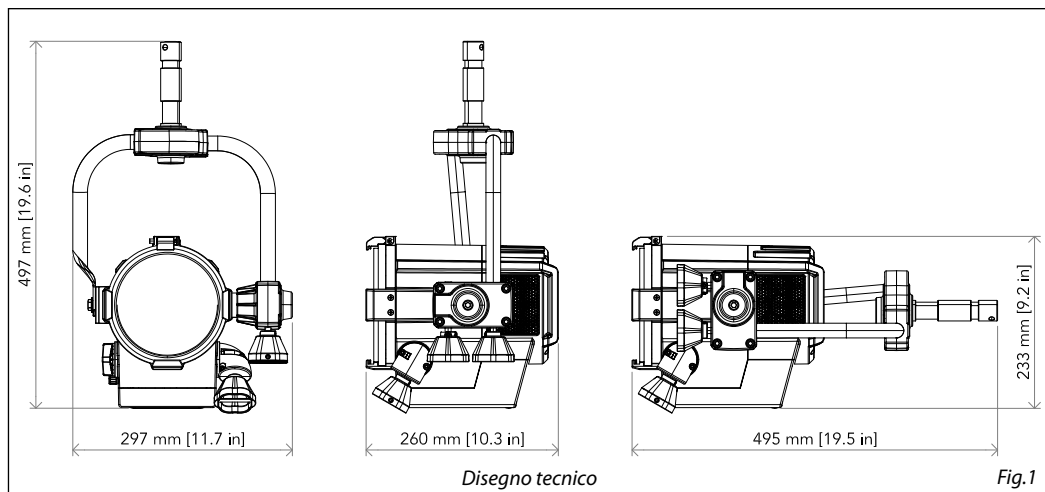
- Alimentazione elettrica: 100-240 V – 50/60 Hz
- Potenza assorbita (a 230V): 107W
- Potenza assorbita (a 120V): 111W
- Output (a 230V): 23 unità connesse in serie
- Output (a 120V): 12 unità connesse in serie
- Fattore di potenza: pF 0.99 @ 120V - pF 0.95 @ 230V

BATTERIA

- Batteria: 24-34V 4400 mAh (opzionale) external battery
- Connessione di ricarica: XLR 4p

CARATTERISTICHE FISICHE

- Raffreddamento: sistema di dissipazione a con heating-pipe
- Sospensione e fissaggio: staffa per il fissaggio in sospensione e per il posizionamento del proiettore con qualsiasi orientamento
- Connessione di segnale: Amphenol XLR 5p IN/OUT connectors
- Connessione di alimentazione: Neutrik powerCON TRUE1 IN/OUT connectors
- Grado IP: 20
- Dimensioni (LxAxP): 297x497x260 mm
- Peso: 7.6 kg



1.3 ELEMENTI DI COMANDO E COLLEGAMENTI

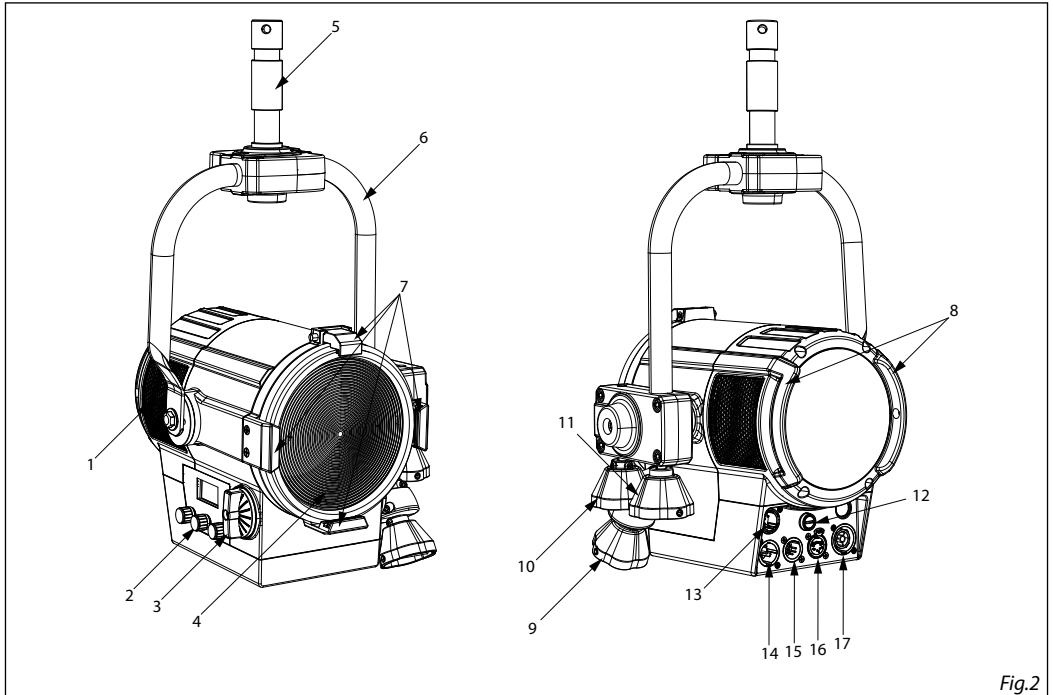


Fig.2

1. GRIGLIA DI VENTILAZIONE per uscita flusso d'aria da non ostruire.
2. PANNELLO DI CONTROLLO con display e 4 pulsanti per accesso e gestione delle funzioni.
3. MANOPOLA DI REGOLAZIONE ZOOM E MESSA A FUOCO per zoomare l'immagine proiettata in modo chiaro.
4. LENTE
5. SPIGOT
6. STAFFA POLE OPERATED
7. GUIDA per bloccaggio e rilascio accessori.
8. MANIGLIE
9. POLE OPERATOR GIALLO: Pole operator per lo zoom.
10. POLE OPERATOR BIANCO: Pole operator per Tilt.
11. POLE OPERATOR BLU: Pole operator per Pan.
12. PORTAFUSIBILE: sostituire un fusibile difettoso solo con uno dello stesso tipo.
13. 9. BATTERY 4 pin-in
14. POWER IN (PowerCON IN): per il collegamento ad una presa di rete (100-240V~/50-60Hz) tramite il cavo rete in dotazione.
15. DMX IN (XLR a 5 poli): 1= massa, 2 = DMX -, 3 = DMX +, 4 N/C, 5 N/C
16. DMX OUT (XLR a 5 poli): 1 = massa, 2 = DMX -, 3 = DMX +, 4 N/C, 5 N/C
17. POWER OUT (PowerCON OUT): collegamento per l'alimentazione all'unità successiva.

1.4 ECLFRSJB4

ECLFRSJB4 è una robusta custodia ABS con quattro batterie, un caricabatterie, quattro cavi DMX maschio-maschio, quattro cavi DMX maschio-femmina all'interno.

SPECIFICHE TECNICHE BATTERIA

- Autonomia in modalità singolo colori, fino a: (R) 8 h - (G) 8 h - (B) 7 h - (L) 3 h - (O) 4 h - (RB) 7h
- Autonomia in modalità full white, fino a: (TW) 1,25 h - (TU, DY) 1,5h
- Tempo di ricarica: 5h/max

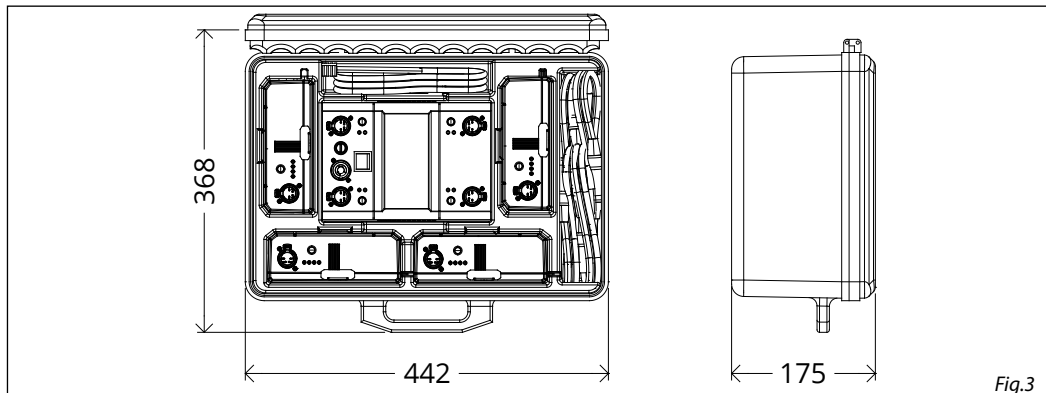


Fig.3

1.5 ELEMENTI DI COMANDO E COLLEGAMENTI

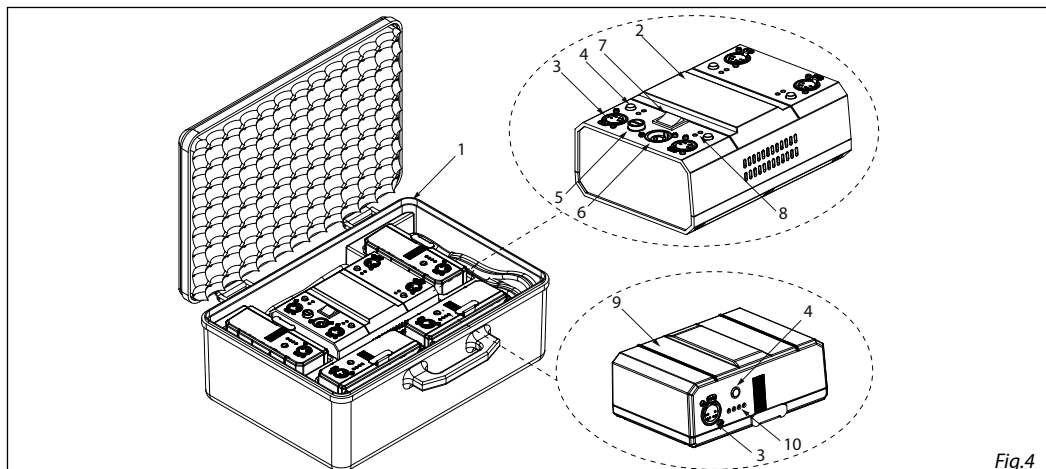


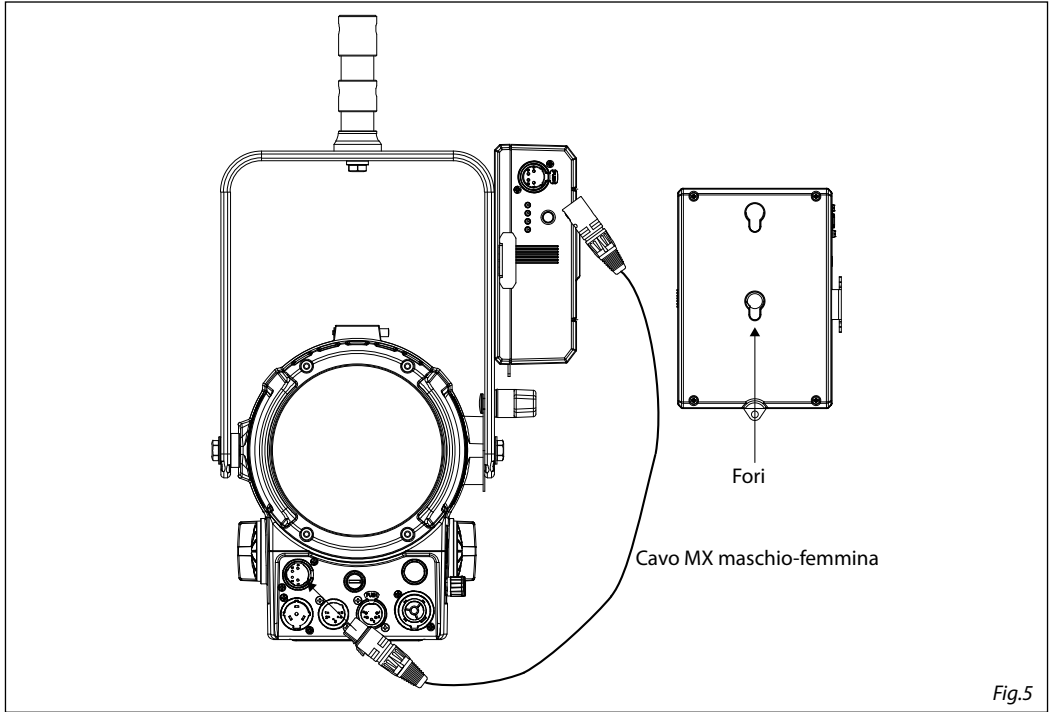
Fig.4

1. Custodia ABS
2. CARICABATTERIA
3. USCITA CARICABATTERIA
4. Tasto per avviare la carica.
5. PORTAFUSIBILE: sostituire un fusibile difettoso solo con uno dello stesso tipo.
6. POWER IN (PowerCON IN): per il collegamento ad una presa di rete (100-240V~/50-60Hz)

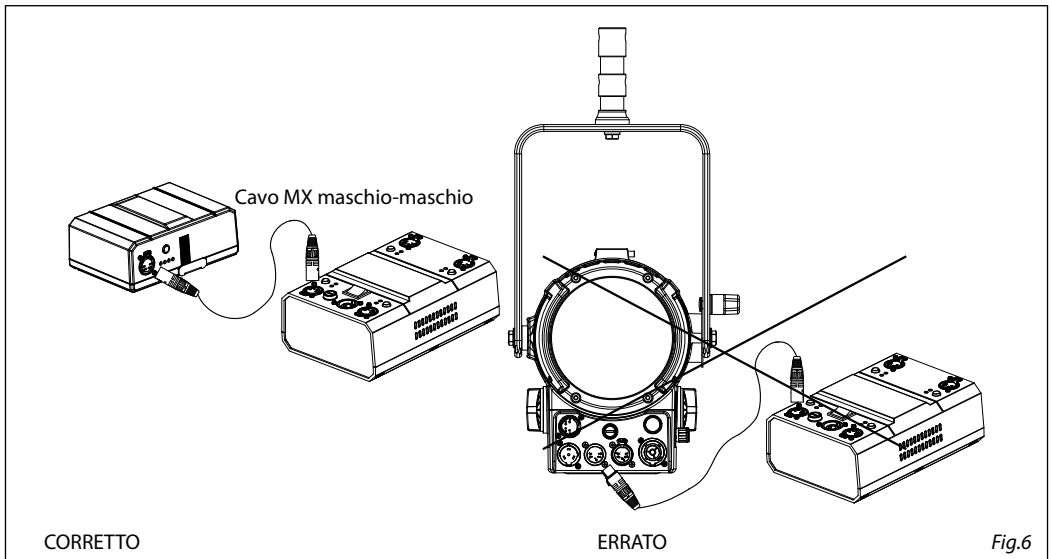
tramite il cavo rete in dotazione.

7. INTERRUTTORE GENERALE
8. Segnale LED caricabateria: se il segnale è rosso, la batteria sta caricando, se è verde la batteria è carica. the battery is charged.
9. BATTERIA
10. Segnale LED batteria

MONTAGGIO



IMPORTANTE: non collegare il caricabatteria direttamente all'ECLIPSE FRESNELJ, collegare questo carica-batteria solo con la batteria.



- 2 - INSTALLAZIONE

2.1 MONTAGGIO

L'ECLFRJPTW può essere collocato su un piano solido. Inoltre, grazie alle possibilità di fissaggio sulla staffa (fig.3), l'unità può essere montata anche a testa in giù, su una traversa. Per il fissaggio occorrono dei supporti robusti per il montaggio. L'area di collocazione deve avere una stabilità sufficiente e supportare almeno 10 volte il peso dell'unità.

Inoltre assicurarsi di rispettare tutte le avvertenze in materia di sicurezza.

- Fissare il proiettore attraverso l'apposita staffa (1) ad una collocazione idonea.
- È assolutamente necessario assicurare il proiettore contro la caduta utilizzando un cavo di sicurezza: in particolare collegare il cavo in un punto adatto in modo che la caduta del proiettore non possa superare i 20 cm.
- Orientare il proiettore intervenendo, se necessario, sulla manopola della staffa di montaggio (2).

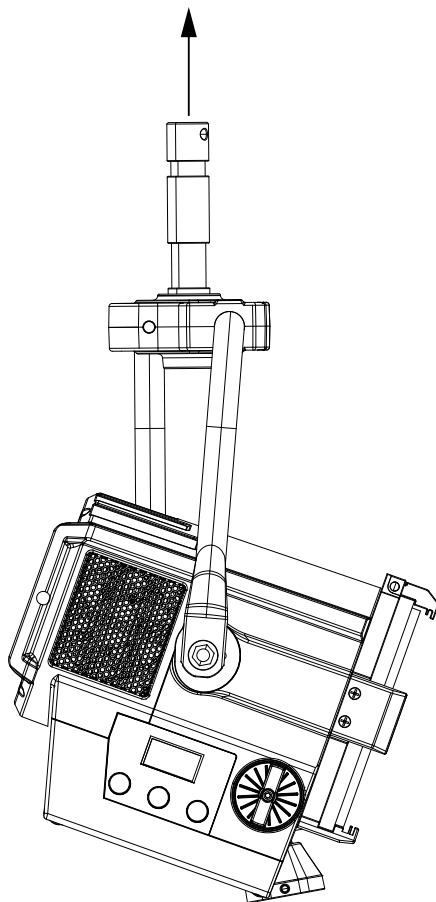


Fig.7

- 3 - FUNZIONI E IMPOSTAZIONI

3.1 FUNZIONAMENTO

Per accendere l'ECLFRJPTW, inserire la spina del cavo di alimentazione in una presa di rete (100-240V~/50-60Hz). L'unità può essere comandata da un'unità DMX di comando luce oppure svolgere autonomamente il suo programma. Per spegnere l'ECLFRJPTW, staccare la spina dalla presa di rete. Per maggiore comodità è consigliabile collegare l'unità con una presa comandata da un interruttore.

3.2 IMPOSTAZIONE BASE

ECLFRJPTW dispone di un display e 4 pulsanti per accesso alle funzioni del pannello di controllo (fig.8).

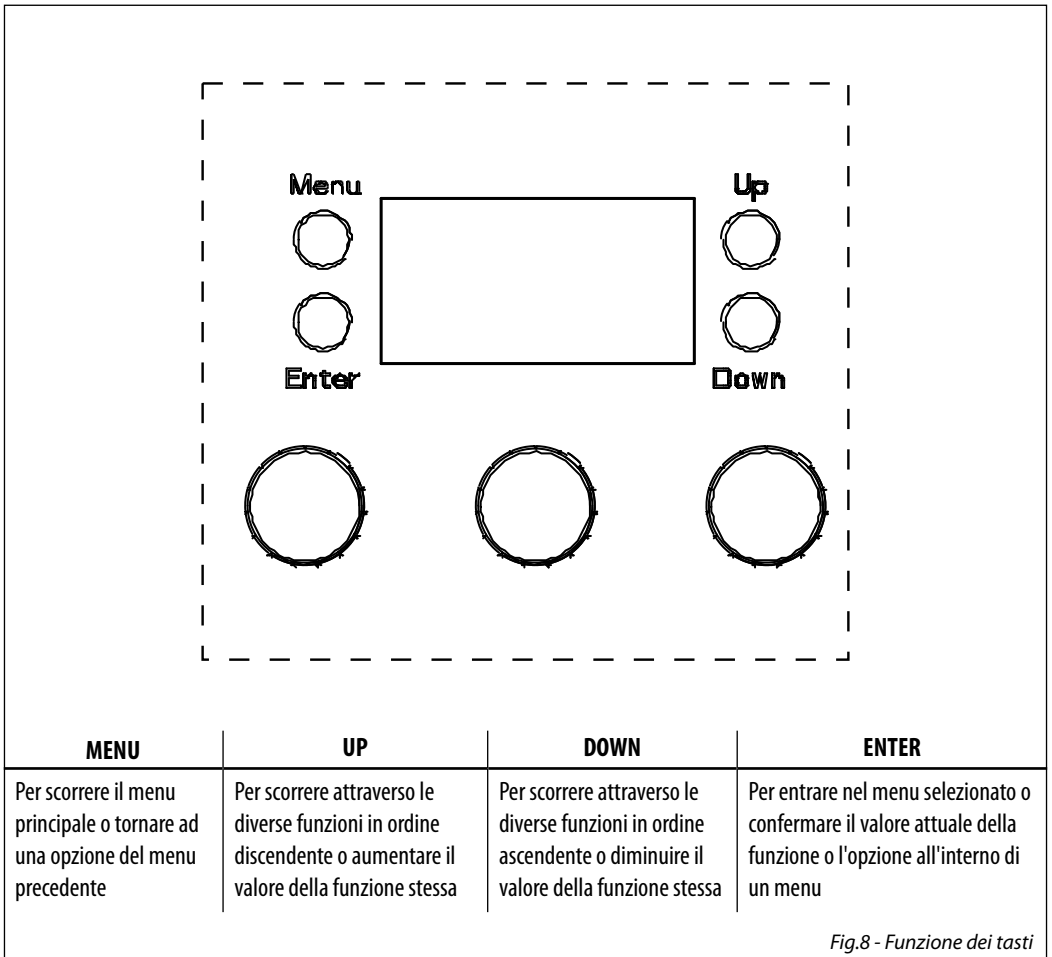


Fig.8 - Funzione dei tasti

3.3 STRUTTURA MENU

MENU							
1	CONNECT	DMX Address	⇒	Value (001-512)		Default: 001	
		DMX Mode	⇒	1CH	⇒	Amber Shift on	
				Color Temperature	⇒	CTO 2800 - 10000K Hue (025~025)	Default: 2800K
				Color Picker	⇒	3200K 71 97 100 ... 777	Default: 3200K
				Customization	⇒	Red (000~255) Orange (000~255) Green (000~255) Royal Blue (000~255) Blue (000~255) Lime (000~255)	Default: 255
				2CH	⇒	Amber Shift on	
				Color Temperature	⇒	CTO 2800 - 10000K Hue (025~025)	Default: 2800K
				Color Picker	⇒	3200K 71 97 100 ... 777	Default: 3200K
				Customization	⇒	Red (000~255) Orange (000~255) Green (000~255) Royal Blue (000~255) Blue (000~255) Lime (000~255)	Default: 255
				5CH1			
				5CH2			
				7CH1			
				7CH2	⇒	Color Picker ⇒ No Action 3200K 71 97 100 ... 777	Default: 19CH
				8CH			
				9CH			
				12CH			
				13CH			
				16CH			
				19CH			
				21CH			
		2	SETUP	Screen	⇒	Back Light	⇒
				Flip Display	⇒	No-Yes Default: No	
				Key Lock	⇒	No-Yes Default: No	

3	ADVANCED	⇒ Full On Mode	⇒ HB Studio		Default: Studio	
		Dimmer Mode	⇒ Off Dimmer 1 Dimmer 2 Dimmer 3		Default: Off	
		White Balance	⇒ Off Adjust	⇒ Red (125~255) Orange (125~255) Green (125~255) Royal Blue (125~255) Blue (125~255) Lime (125~255)	Default: Off	
		Led Frequency	⇒ 600Hz 1200 Hz 2000 Hz 4000 Hz 6000Hz 25kHz		Default: 1200Hz	
		Fan Mode	⇒ Auto On Off Silent		Default : Auto	
		Factory Reload	⇒ No-Yes	No-Yes	Default: No	
		4	INFORMATION	⇒ Fixture Tlme	⇒	0-9999
Version	⇒			V1.0		
UID	⇒			15D0021E****		
5	STAND ALONE	⇒ Master/Slave	⇒ Master Slave		Default : Slave	
		Effects	⇒ Effect1 Effect2 Effect3 Effect4	⇒ (1~100)	Default: Effect4 Speed=100	
		CCT				
		HSI				
		Color Temperature	⇒ 2800K 3000K 3200K 3400K 3600K 3800K 4000K 4200K 4400K 4600K 4800K 5000K 5200K 5400K 5600K 5800K 6000K 6200K 6400K	6600K 6800K 7000K 7200K 7400K 7600K 7800K 8000K 8200K 8400K 8600K 8800K 9000K 9200K 9400K 9600K 9800K 10000K	⇒ Dimmer (000~255) Hue (025~025)	Default : 6000K Dimmer=255 Hue=0

Fixed Color	⇒	R	R.O.G	R.O.G.B	⇒	Dimmer (000~255)	Default: R.O.G.RB.B.L Dimmer=255
		O	R.O.RB	R.O.G.L			
		G	R.O.B	R.O.RB.B			
		RB	R.O.L	R.O.RB.L			
		B	R.G.RB	R.O.B.L			
		L	R.G.B	R.G.RB.B			
		R.O	R.G.L	R.G.RB.L			
		R.G	R.RB.B	R.G.B.L			
		R.RB	R.RB.L	R.RB.B.L			
		R.B	R.B.L	O.G.RB.B			
		R.L	O.G.RB	O.G.RB.L			
		O.G	O.G.B	O.G.B.L			
		O.RB	O.G.L	O.RB.B.L			
		O.B	O.RB.B	G.RB.B.L			
		O.L	O.RB.L	R.O.G.RB.B			
		G.RB	O.B.L	R.O.G.RB.L			
		G.B	G.RB.B	R.O.G.B.L			
		G.L	G.RB.L	R.O.RB.B.L			
		RB.B	G.B.L	R.G.RB.B.L			
		RB.L	RB.B.L	O.G.RB.B.L			
B.L	R.O.G.RB	R.O.G.RB.B.L					
Color Picker	⇒	3200K	124	166	⇒	Dimmer (000~255)	Default: 3200K
		71	126	170			
		97	128	174			
		100	130	179			
		101	132	180			
		102	134	181			
		103	135	182			
		104	136	195			
		105	137	197			
		106	138	198			
		107	139	200			
		110	141	201			
		111	144	202			
		113	147	203			
		115	151	204			
		116	152	205			
		117	156	206			
		118	157	702			
		119	158	730			
120	161	777					
121	164						
122	165						
Manual Color	⇒	Red			⇒	(000~255)	Default: RGBW=255
		Orange					
		Green					
		Royal Blue					
		Blue					
Lime							

3.4 MODALITÀ DMX

- Per impostare l'indirizzo DMX, premere il tasto MENU fino a quando sul display non appare **Connect**, dopodichè selezionare attraverso i tasti UP/DOWN **Dmx Address**, quindi premere il tasto ENTER.
- Premere il tasto UP/DOWN per selezionare il valore desiderato (**001-512**); tenere premuto invece il tasto UP/DOWN per lo scorrimento veloce.
- Premere il tasto ENTER per confermare l'impostazione.

Per poter comandare l' ECLFRJPTW con un'unità di comando luce, occorre impostare l'indirizzo di start DMX per il primo canale DMX. Se, per esempio, sull'unità di comando è previsto l'indirizzo 33 per comandare la funzione del primo canale DMX, si deve impostare sull' ECLFRJPTW l'indirizzo di start 33. Le altre funzioni del pannello saranno assegnate automaticamente agli indirizzi successivi.

Numero canali DMX	Indirizzo di start (esempio)	Indirizzo DMX occupati	Prossimo indirizzo di start possibile per unità n°1	Prossimo indirizzo di start possibile per unità n°2	Prossimo indirizzo di start possibile per unità n°3
1	33	33	34	35	36
2	33	33-34	35	37	39
5	33	33 - 37	38	43	48
7	33	33 - 39	40	47	54
8	33	33 - 40	41	49	57
9	33	33 - 41	42	51	60
12	33	33 - 44	45	57	69
13	33	33 - 45	46	59	72
16	33	33 - 48	49	65	81
19	33	33 - 51	52	71	90
21	33	33 - 53	54	75	96

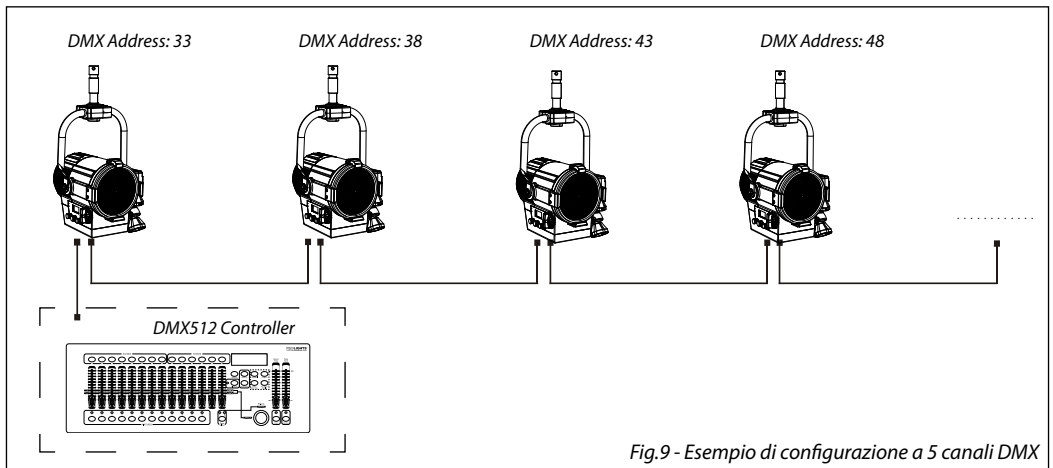


Fig.9 - Esempio di configurazione a 5 canali DMX

3.5 CONFIGURAZIONE CANALI DMX

L'ECLFRJPTW dispone di diverse configurazioni dei canali DMX a cui si può accedere dal pannello di controllo.

- Premere il tasto MENU fino a quando sul display non appare **Connect**, dopodichè selezionare attraverso i tasti UP/DOWN **DMX Channel**, quindi premere il tasto ENTER.
- Attraverso i tasti UP/DOWN selezionare la configurazione dei canali DMX (**1CH, 2CH, 5CH1, 5CH2, 7CH1, 7CH2, 9CH, 12CH, 13CH, 16CH, 19CH, 21CH**).

3.6 COLLEGAMENTO

1. Collegare l'uscita DMX OUT dell'unità principale con l'ingresso DMX IN della prima unità secondaria servendosi di un cavo XLR a 5 poli.
2. Collegare l'uscita DMX OUT della prima unità secondaria con l'ingresso DMX IN della seconda unità secondaria ecc.

3.7 SCREEN

È possibile modificare i seguenti parametri, relativi al display, seguendo la medesima procedura:

- Premere il tasto MENU per accedere al menu principale.
- Premere il tasto UP/DOWN per scorrere nel menu, selezionare **Set Up**, quindi premere ENTER per accedere al menu successivo.
- Premere il tasto UP/DOWN per selezionare **Screen** e premere ENTER per procedere.
- Selezionare l'opzione proposta e confermare.
 - **Backlight** - Retroilluminazione display Auto Off. Questa funzione permette di spegnere automaticamente la retroilluminazione del display dopo un determinato tempo che può essere impostato tramite i tasti direzionali. Per avere il display sempre acceso seleziona **Always On** oppure impostare un valore tra quelli indicati per far spegnere il display una volta trascorso il tempo scelto, dopo l'uscita dal menu.
 - **Flip Display** - Orientamento del display. Questa funzione permette di ruotare il display di 180° per ottenere una migliore visualizzazione del display quando l'unità è appesa a testa in giù. Selezionare **Yes** per attivare la funzione oppure **No** per disattivarla.
 - **Key lock** - Blocco tasti. Con questa funzione è possibile bloccare i tasti del pannello di controllo, per evitare, ad esempio, manomissioni delle impostazioni. Se questa funzione è attiva, i tasti vengono bloccati automaticamente. Per ripristinare o disattivare la funzione di blocco tasti, premere i tasti nel seguente ordine , per riottenere l'accesso ai comandi di menu: UP, DOWN, UP, DOWN, ENTER. Selezionare **Yes** per eseguire la funzione oppure **No** per disattivare.
- Premere il tasto ENTER per confermare.
- Premere il tasto MENU per uscire dal menu e per salvare le modifiche apportate.

3.8 ADVANCED

Puoi modificare i parametri seguendo questi passaggi:

- Premere il tasto MENU per accedere al menu principale.
- Premere il tasto UP/DOWN per selezionare **Advanced**. Premere ENTER per confermare.
- Premere il tasto UP/DOWN per selezionare l'opzione desiderata e premere ENTER per confermare:
 - **Full On Mode** - Seleziona la funzione **Full on Mode** per selezionare la modalità **HB** (modalità High Brightness, con il valore massimo dei colori) o **Studio**, con un bilanciamento automatico del bianco.
 - **Dimmer Mode** - Modalità Dimmer - Regolazione del dimmer. Entra in modalità Dimmer per selezionare la specifica curva dimmer.
- **Off**: l'aumento dell'intensità della luce è lineare

- **Dimmer 1:** curva dimmer con fade bassa.
- **Dimmer 2:** curva dimmer con fade media.
- **Dimmer 3:** curva dimmer con fade alto.
 - **White Balance** - Per impostare il bilanciamento del bianco modificando il valore (**125-255**) dei colori (**Red, Orange, Green, Royal Blue, Blue and Lime**).
 - **LED Frequency** - Per regolare la frequenza dei LED. Selezionare la frequenza **600 Hz ~ 25 KHz** usando la i l tasto UP/DOWN e premere ENTER per confermare la selezione.
 - **Fan Mode** - Velocità ventole. Selezionare la velocità della ventola (**Auto, On, Off, Silent**), quindi confermare tramite il tasto ENTER.
 - **Factory Reload** - Per ripristinare l'unità. Selezionare **Yes** o **No** e selezionare il tasto ENTER per confermare.
- Premere il tasto ENTER per confermare.
- Premere il tasto MENU per uscire dal menu e per salvare le modifiche apportate.

3.9 INFORMAZIONI SUL DISPOSITIVO

Per visualizzare tutte le informazioni sul dispositivo, procedere nel modo seguente:

- Premere il tasto MENU per accedere al menu principale.
- Premere il tasto UP/DOWN per selezionare **Information**, quindi premere il tasto ENTER per accedere al menu successivo:
 - **Fixture Hours** - Per vedere il tempo di funzionamento del proiettore.
 - **Software Version** - To view the firmware version will show on the display.
 - **UID** - per visualizzare l'ID di identificazione per il controllo RDM.
- Premere il tasto ENTER per confermare.
- Premere il tasto MENU per uscire dal menu e per salvare le modifiche apportate.

3.10 MODALITÀ MASTER/SLAVE

Questa modalità consente di collegare in linea più unità ECLFRJPTW senza un controller. La prima unità sarà impostata come master e le altre funzioneranno come slave con lo stesso effetto.

- Premere il tasto MENU fino a quando sul display non appare **Stand Alone**, dopodichè selezionare attraverso i tasti **Master/Slave**, quindi premere il tasto ENTER.
- Premere i tasti UP/DOWN e selezionare la modalità (**Master/Slave**) per impostare le unità come master o slave. Premere il tasto ENTER per confermare.
- Servirsi dei connettori DMX dell' ECLFRJPTW e di un cavo XLR per formare una catena di unità. In certe condizioni e lunghezze si consiglia di effettuare una terminazione come mostrato a pagina 20.

3.11 EFFECTS

ECLFRJPTW dispone di programmi automatici incorporati. Per accedervi, fare riferimento alle seguenti istruzioni:

- Premere il tasto MENU per accedere al menu principale.
- Premere il tasto UP/DOWN per selezionare **Stand Alone**, quindi seleziona **Effects**. Premere il tasto ENTER per confermare.
- Premere il tasto UP/DOWN per selezionare il programma desiderato **Effect 1, Effect 2, Effect 3, Effect 4, Effect 5**, quindi premere il tasto ENTER per confermare.
- Premere il tasto UP/DOWN per impostare il valore (**1 ~ 100**) e confermare tramite il tasto ENTER.

3.12 MODALITÀ STATIC

L'unità consente di creare delle configurazioni che possono essere impostate attraverso la seguente procedura:

- Premere il tasto MENU per accedere al menu principale.
- Premere il tasto UP/DOWN per selezionare **Stand Alone**, quindi premere il tasto ENTER per confermare.
- Premere il tasto UP/DOWN per selezionare **Fixed Colors**, quindi premere il tasto ENTER per confermare.
- Premere il tasto UP/DOWN per impostare il colore desiderato **R , O, G, W, RB, B, L, R.O.G.RB.B.L... R.G.RB.B.L, O.G.RB.B.L, R.O.G.RB.B.L**, quindi premere il tasto ENTER per confermare.
- Premere il tasto MENU per uscire dal menu e per salvare le modifiche apportate

3.13 MODALITÀ MANUAL

Per impostare il bilanciamento personalizzato dei colori rosso, arancione, verde, royal blu, blu e lime, far riferimento alla seguente procedura:

- Premere il tasto MENU fino a quando sul display non appare **Stand Alone**, dopodiché selezionare attraverso i tasti UP/DOWN **Static**, quindi premere il tasto ENTER.
- Selezionare **Manual Color Mixer** attraverso i tasti UP/DOWN, quindi premere il tasto ENTER.
- Selezionare il colore **Red, Orange, Green, Royal Blue, Blue, Lime** attraverso i tasti UP/DOWN, quindi premere il tasto ENTER.
- Utilizzare i tasti UP/DOWN per impostare il valore desiderato **000 ~ 255**.
- Premere il tasto ENTER per continuare e passare al successivo colore tra **Red, Orange, Green, Royal Blue, Blue, Lime**.
- Continuare fino ad ottenere la miscelazione del colore.
- Premere il tasto MENU per tornare indietro o attendere alcuni secondi per uscire dal menu di impostazione.

3.14 COLLEGAMENTI DELLA LINEA DMX

La connessione DMX è realizzata con connettori standard XLR. Utilizzare cavi schermati, 2 poli ritorti, con impedenza 120Ω e bassa capacità.

Per il collegamento fare riferimento allo schema di connessione riportato di seguito:



ATTENZIONE

La parte schermata del cavo (calza) non deve mai essere collegata alla terra dell'impianto; ciò comporterebbe malfunzionamenti delle unità e dei controller.

Per passaggi lunghi può essere necessario l'inserimento di un amplificatore DMX.

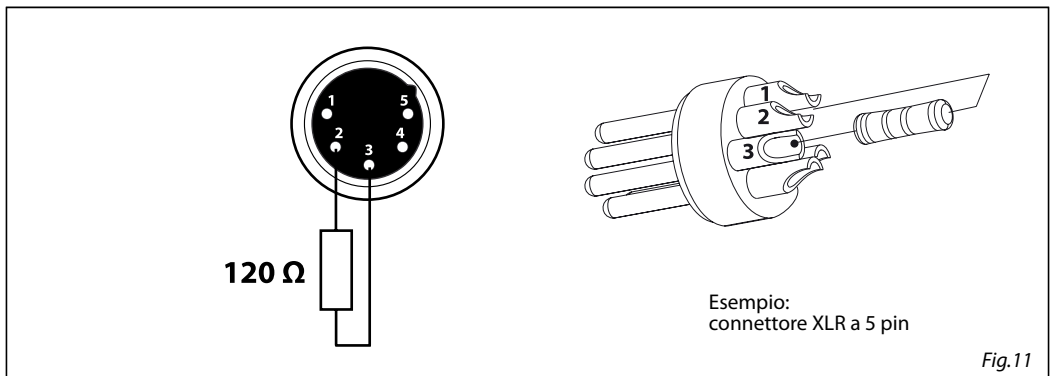
In tal caso, è sconsigliato utilizzare nei collegamenti cavo bilanciato microfonico poiché non è in grado di trasmettere in modo affidabile i dati di controllo DMX.

- Collegare l'uscita DMX del controller con l'ingresso DMX della prima unità;
- Collegare, quindi, l'uscita DMX con l'ingresso DMX della successiva unità; l'uscita di quest'ultima con l'ingresso di quella successiva e via dicendo finché tutte le unità sono collegate formando una catena.
- Per installazioni in cui il cavo di segnale deve percorrere lunghe distanze è consigliato inserire sull'ultima unità una terminazione DMX.

3.15 COSTRUZIONE DEL TERMINATORE DMX

La terminazione evita la probabilità che il segnale DMX 512, una volta raggiunta la fine della linea stessa venga riflesso indietro lungo il cavo, provocando, in certe condizioni e lunghezze, la sua sovrapposizione al segnale originale e la sua cancellazione.

La terminazione deve essere effettuata, sull'ultima unità della catena, con connettori XLR a 5 pin, saldando una resistenza di 120Ω (minimo $1/4W$) tra i terminali 2 e 3, così come indicato in figura.



3.16 CANALI DMX

1 CHANNEL

MODE 1 Ch	FUNCTION	DMX Value
1	DIMMER 0~100%	000 - 255

2 CHANNELS

MODE 2 Ch	FUNCTION	DMX Value
1	DIMMER 0~100%	000 - 255
2	DIMMER SPEED MODE Preset dimmer speed from display menu Dimmer speed mode off Dimmer speed mode1 (fast speed) Dimmer speed mode2 (middle speed) Dimmer speed mode3 (slow speed)	000 - 051 052 - 101 102 - 152 153 - 203 204 - 255

5 CHANNELS 1

MODE 5 Ch1	FUNCTION	DMX Value
1	DIMMER 0~100%	000 - 255
2	CTO 2800K - 3000K 3000K - 3200K 3200K - 3400K 3400K - 3600K 3600K - 3800K 3800K - 4000K 4000K - 4200K 4200K - 4400K 4400K - 4600K 4600K - 4800K 4800K - 5000K 5000K - 5200K 5200K - 5400K 5400K - 5600K 5600K - 5800K 5800K - 6000K 6000K - 6200K 6200K - 6400K 6400K - 6600K 6600K - 6800K 6800K - 7000K 7000K - 7200K 7200K - 7400K 7400K - 7600K 7600K - 7800K 7800K - 8000K 8000K - 8200K 8200K - 8400K 8400K - 8600K 8600K - 8800K 8800K - 9000K 9000K - 9200K 9200K - 9400K 9400K - 9600K 9600K - 9800K 9800K - 10000K	000 - 007 007 - 014 014 - 021 021 - 028 028 - 035 035 - 042 042 - 049 049 - 056 056 - 063 063 - 070 070 - 077 077 - 084 084 - 091 091 - 098 098 - 105 105 - 112 112 - 119 119 - 126 126 - 133 133 - 140 140 - 147 147 - 154 154 - 161 161 - 168 168 - 175 175 - 182 182 - 189 189 - 196 196 - 203 203 - 210 210 - 217 217 - 224 224 - 231 231 - 238 238 - 245 245 - 255
3	HUE 0 -25°~25°	000 - 000 001 - 255
4	COLOR MACRO No Function Amber Shift on Color Macro	000 - 002 003 - 005 006 - 255
5	DIMMER SPEED MODE Preset dimmer speed from display menu Dimmer speed mode off Dimmer speed mode1 (fast speed) Dimmer speed mode2 (middle speed) Dimmer speed mode3 (slow speed)	000 - 051 052 - 101 102 - 152 153 - 203 204 - 255

5 CHANNELS 2

MODE 5 Ch2	FUNCTION	DMX Value
1	DIMMER 0~100%	000 - 255
2	DIMMER FINE 0~100%	000 - 255
3	CTO 2800K - 3000K 3000K - 3200K 3200K - 3400K 3400K - 3600K 3600K - 3800K 3800K - 4000K 4000K - 4200K 4200K - 4400K 4400K - 4600K 4600K - 4800K 4800K - 5000K 5000K - 5200K 5200K - 5400K 5400K - 5600K 5600K - 5800K 5800K - 6000K 6000K - 6200K 6200K - 6400K 6400K - 6600K 6600K - 6800K 6800K - 7000K 7000K - 7200K 7200K - 7400K 7400K - 7600K 7600K - 7800K 7800K - 8000K 8000K - 8200K 8200K - 8400K 8400K - 8600K 8600K - 8800K 8800K - 9000K 9000K - 9200K 9200K - 9400K 9400K - 9600K 9600K - 9800K 9800K - 10000K	000 - 007 007 - 014 014 - 021 021 - 028 028 - 035 035 - 042 042 - 049 049 - 056 056 - 063 063 - 070 070 - 077 077 - 084 084 - 091 091 - 098 098 - 105 105 - 112 112 - 119 119 - 126 126 - 133 133 - 140 140 - 147 147 - 154 154 - 161 161 - 168 168 - 175 175 - 182 182 - 189 189 - 196 196 - 203 203 - 210 210 - 217 217 - 224 224 - 231 231 - 238 238 - 245 245 - 255
4	COLOR MACRO No Function Amber Shift on Color Macro	000 - 002 003 - 005 006 - 255
5	DIMMER SPEED MODE Preset dimmer speed from display menu Dimmer speed mode off Dimmer speed mode1 (fast speed) Dimmer speed mode2 (middle speed) Dimmer speed mode3 (slow speed)	000 - 051 052 - 101 102 - 152 153 - 203 204 - 255

7 CHANNELS 1

MODE 7 Ch1	FUNCTION	DMX Value
1	RED 0~100%	000 - 255
2	ORANGE 0~100%	000 - 255
3	GREEN 0~100%	000 - 255
4	ROYAL BLUE 0~100%	000 - 255
5	BLUE 0~100%	000 - 255
6	LIME 0~100%	000 - 255
7	DIMMER SPEED MODE Preset dimmer speed from display menu Dimmer speed mode off Dimmer speed mode1 (fast speed) Dimmer speed mode2 (middle speed) Dimmer speed mode3 (slow speed)	000 - 051 052 - 101 102 - 152 153 - 203 204 - 255

7 CHANNELS 2

MODE 7 Ch2	FUNCTION	DMX Value
1	DIMMER 0~100%	000 - 255
2	RED 0~100%	000 - 255
3	ORANGE 0~100%	000 - 255
4	GREEN 0~100%	000 - 255
5	ROYAL BLUE 0~100%	000 - 255
6	BLUE 0~100%	000 - 255
7	LIME 0~100%	000 - 255

8 CHANNELS

MODE 8 Ch	FUNCTION	DMX Value
1	COLOR PICKER	
	No Function	000 - 000
	3200K	001 - 003
	71	004 - 007
	97	008 - 011
	100	012 - 015
	101	016 - 019
	102	020 - 023
	103	024 - 027
	104	028 - 031
	105	032 - 035
	106	036 - 039
	107	040 - 043
	110	044 - 047
	111	048 - 051
	113	052 - 055
	115	056 - 059
	116	060 - 063
	117	064 - 067
	118	068 - 071
	119	072 - 075
	120	076 - 079
	121	080 - 083
	122	084 - 087
	124	088 - 091
	126	092 - 095
	128	096 - 099
	130	100 - 103
	132	104 - 107
	134	108 - 111
	135	112 - 115
	136	116 - 119
	137	120 - 123
	138	124 - 127
	139	128 - 131
	141	132 - 135
144	136 - 139	
147	140 - 143	
151	144 - 147	
152	148 - 151	
156	152 - 155	
157	156 - 159	
158	160 - 163	
161	164 - 167	
164	168 - 171	
165	172 - 175	
166	176 - 179	
170	180 - 183	
174	184 - 187	
179	188 - 191	
180	192 - 195	
181	196 - 199	
182	200 - 203	
195	204 - 207	
197	208 - 211	

8 CHANNELS

MODE 8 Ch	FUNCTION	DMX Value
	198	212 - 215
	200	216 - 219
	201	220 - 223
	202	224 - 227
	203	228 - 231
	204	232 - 235
	205	236 - 239
	206	240 - 243
	702	244 - 247
	730	248 - 251
	777	252 - 255
2	DIMMER 0~100%	000 - 255
3	RED 0~100%	000 - 255
4	ORANGE 0~100%	000 - 255
5	GREEN 0~100%	000 - 255
6	ROYAL BLUE 0~100%	000 - 255
7	BLUE 0~100%	000 - 255
8	LIME 0~100%	000 - 255

9 CHANNELS

MODE 9 Ch	FUNCTION	DMX Value
1	DIMMER 0~100%	000 - 255
2	RED 0~100%	000 - 255
3	ORANGE 0~100%	000 - 255
4	GREEN 0~100%	000 - 255
5	ROYAL BLUE 0~100%	000 - 255
6	BLUE 0~100%	000 - 255
7	LIME 0~100%	000 - 255
8	STROBE No Function Strobe slow to fast	000 - 010 011 - 255
9	DIMMER SPEED MODE Preset dimmer speed from display menu Dimmer speed mode off Dimmer speed mode1 (fast speed) Dimmer speed mode2 (middle speed) Dimmer speed mode3 (slow speed)	000 - 051 052 - 101 102 - 152 153 - 203 204 - 255

12 CHANNELS

MODE 12 Ch	FUNCTION	DMX Value
1	DIMMER 0~100%	000 - 255
2	STROBE No Function Strobe slow to fast	000 - 010 011 - 255
3	RED	000 - 255
4	ORANGE	000 - 255
5	GREEN	000 - 255
6	ROYAL BLUE	000 - 255
7	BLUE	000 - 255
8	LIME	000 - 255
9	CTO 2800K - 3000K 3000K - 3200K 3200K - 3400K 3400K - 3600K 3600K - 3800K 3800K - 4000K 4000K - 4200K 4200K - 4400K 4400K - 4600K 4600K - 4800K 4800K - 5000K 5000K - 5200K 5200K - 5400K 5400K - 5600K 5600K - 5800K 5800K - 6000K 6000K - 6200K 6200K - 6400K 6400K - 6600K 6600K - 6800K 6800K - 7000K 7000K - 7200K 7200K - 7400K 7400K - 7600K 7600K - 7800K 7800K - 8000K 8000K - 8200K 8200K - 8400K 8400K - 8600K 8600K - 8800K 8800K - 9000K 9000K - 9200K 9200K - 9400K 9400K - 9600K 9600K - 9800K 9800K - 10000K No Function	000 - 007 007 - 014 014 - 021 021 - 028 028 - 035 035 - 042 042 - 049 049 - 056 056 - 063 063 - 070 070 - 077 077 - 084 084 - 091 091 - 098 098 - 105 105 - 112 112 - 119 119 - 126 126 - 133 133 - 140 140 - 147 147 - 154 154 - 161 161 - 168 168 - 175 175 - 182 182 - 189 189 - 196 196 - 203 203 - 210 210 - 217 217 - 224 224 - 231 231 - 238 238 - 245 245 - 252 253 - 255

12 CHANNELS

MODE 12 Ch	FUNCTION	DMX Value
10	HUE 0 -25°~25°	000 - 000 001 - 255
11	COLOR MACRO No Function Amber Shift on Color Macro	000 - 002 003 - 005 006 - 255
12	DIMMER SPEED MODE Preset dimmer speed from display menu Dimmer speed mode off Dimmer speed mode1 (fast speed) Dimmer speed mode2 (middle speed) Dimmer speed mode3 (slow speed)	000 - 051 052 - 101 102 - 152 153 - 203 204 - 255

13 CHANNELS

MODE 13 Ch	FUNCTION	DMX Value
1	RED 0~100%	000 - 255
2	RED FINE 0~100%	000 - 255
3	ORANGE 0~100%	000 - 255
4	ORANGE FINE 0~100%	000 - 255
5	GREEN 0~100%	000 - 255
6	GREEN FINE 0~100%	000 - 255
7	ROYAL BLUE 0~100%	000 - 255
8	ROYAL BLUE FINE 0~100%	000 - 255
9	BLUE 0~100%	000 - 255
10	BLUE FINE 0~100%	000 - 255
11	LIME 0~100%	000 - 255
12	LIME FINE 0~100%	000 - 255
13	DIMMER SPEED MODE Preset dimmer speed from display menu Dimmer speed mode off Dimmer speed mode1 (fast speed) Dimmer speed mode2 (middle speed) Dimmer speed mode3 (slow speed)	000 - 051 052 - 101 102 - 152 153 - 203 204 - 255

16 CHANNELS

MODE 16 Ch	FUNCTION	DMX Value
1	DIMMER 0~100%	000 - 255
2	DIMMER FINE 0~100%	000 - 255
3	RED 0~100%	000 - 255
4	RED FINE 0~100%	000 - 255
5	ORANGE 0~100%	000 - 255
6	ORANGE FINE 0~100%	000 - 255
7	GREEN 0~100%	000 - 255
8	GREEN FINE 0~100%	000 - 255
9	ROYAL BLUE 0~100%	000 - 255
10	ROYAL BLUE FINE 0~100%	000 - 255
11	BLUE 0~100%	000 - 255
12	BLUE FINE 0~100%	000 - 255
13	LIME 0~100%	000 - 255
14	LIME FINE 0~100%	000 - 255
15	STROBE No Function Strobe slow to fast	000 - 010 011 - 255
16	DIMMER SPEED MODE Preset dimmer speed from display menu Dimmer speed mode off Dimmer speed mode1 (fast speed) Dimmer speed mode2 (middle speed) Dimmer speed mode3 (slow speed)	000 - 051 052 - 101 102 - 152 153 - 203 204 - 255

19 CHANNELS

MODE 19 Ch	FUNCTION	DMX Value
1	DIMMER 0~100%	000 - 255
2	DIMMER FINE 0~100%	000 - 255
3	RED 0~100%	000 - 255
4	RED FINE 0~100%	000 - 255
5	ORANGE 0~100%	000 - 255
6	ORANGE FINE 0~100%	000 - 255
7	GREEN 0~100%	000 - 255
8	GREEN FINE 0~100%	000 - 255
9	ROYAL BLUE 0~100%	000 - 255
10	ROYAL BLUE FINE 0~100%	000 - 255
11	BLUE 0~100%	000 - 255
12	BLUE FINE 0~100%	000 - 255
13	LIME 0~100%	000 - 255
14	LIME FINE 0~100%	000 - 255
15	STROBE No Function Strobe slow to fast	000 - 010 011 - 255
16	CTO 2800K - 3000K 3000K - 3200K 3200K - 3400K 3400K - 3600K 3600K - 3800K 3800K - 4000K 4000K - 4200K 4200K - 4400K 4400K - 4600K 4600K - 4800K 4800K - 5000K 5000K - 5200K 5200K - 5400K 5400K - 5600K 5600K - 5800K 5800K - 6000K 6000K - 6200K 6200K - 6400K 6400K - 6600K 6600K - 6800K	000 - 007 007 - 014 014 - 021 021 - 028 028 - 035 035 - 042 042 - 049 049 - 056 056 - 063 063 - 070 070 - 077 077 - 084 084 - 091 091 - 098 098 - 105 105 - 112 112 - 119 119 - 126 126 - 133 133 - 140

19 CHANNELS

MODE 19 Ch	FUNCTION	DMX Value
16	6800K - 7000K 7000K - 7200K 7200K - 7400K 7400K - 7600K 7600K - 7800K 7800K - 8000K 8000K - 8200K 8200K - 8400K 8400K - 8600K 8600K - 8800K 8800K - 9000K 9000K - 9200K 9200K - 9400K 9400K - 9600K 9600K - 9800K 9800K - 10000K No Function	140 - 147 147 - 154 154 - 161 161 - 168 168 - 175 175 - 182 182 - 189 189 - 196 196 - 203 203 - 210 210 - 217 217 - 224 224 - 231 231 - 238 238 - 245 245 - 252 253 - 255
17	HUE 0 -25°~25°	000 - 000 001 - 255
18	COLOR MACRO No Function Amber Shift on Color Macro	000 - 002 003 - 005 006 - 255
19	DIMMER SPEED MODE Preset dimmer speed from display menu Dimmer speed mode off Dimmer speed mode1 (fast speed) Dimmer speed mode2 (middle speed) Dimmer speed mode3 (slow speed)	000 - 051 052 - 101 102 - 152 153 - 203 204 - 255

21 CHANNELS

MODE 21 Ch	FUNCTION	DMX Value
1	DIMMER 0~100%	000 - 255
2	DIMMER FINE 0~100%	000 - 255
3	STROBE No Function (shutter open) Strobe effect slow to fast No Function (shutter open) Random strobe effect slow to fast No Function (shutter open)	000 - 030 031 - 100 101 - 130 131 - 200 201 - 255
4	CTO 2800K - 3000K 3000K - 3200K 3200K - 3400K 3400K - 3600K 3600K - 3800K 3800K - 4000K 4000K - 4200K 4200K - 4400K 4400K - 4600K 4600K - 4800K 4800K - 5000K 5000K - 5200K 5200K - 5400K 5400K - 5600K 5600K - 5800K 5800K - 6000K 6000K - 6200K 6200K - 6400K 6400K - 6600K 6600K - 6800K 6800K - 7000K 7000K - 7200K 7200K - 7400K 7400K - 7600K 7600K - 7800K 7800K - 8000K 8000K - 8200K 8200K - 8400K 8400K - 8600K 8600K - 8800K 8800K - 9000K 9000K - 9200K 9200K - 9400K 9400K - 9600K 9600K - 9800K 9800K - 10000K	000 - 007 007 - 014 014 - 021 021 - 028 028 - 035 035 - 042 042 - 049 049 - 056 056 - 063 063 - 070 070 - 077 077 - 084 084 - 091 091 - 098 098 - 105 105 - 112 112 - 119 119 - 126 126 - 133 133 - 140 140 - 147 147 - 154 154 - 161 161 - 168 168 - 175 175 - 182 182 - 189 189 - 196 196 - 203 203 - 210 210 - 217 217 - 224 224 - 231 231 - 238 238 - 245 245 - 255
5	HUE -25 to 0 No Function 0 to +25	000 - 126 127 - 127 128 - 255
6	CROSSFADE 0~100%	000 - 255
7	RED 0~100%	000 - 255

21 CHANNELS

MODE 21 Ch	FUNCTION	DMX Value
8	RED FINE 0~100%	000 - 255
9	ORANGE 0~100%	000 - 255
10	ORANGE FINE 0~100%	000 - 255
11	GREEN 0~100%	000 - 255
12	GREEN FINE 0~100%	000 - 255
13	ROYAL BLUE 0~100%	000 - 255
14	ROYAL BLUE FINE 0~100%	000 - 255
15	BLUE 0~100%	000 - 255
16	BLUE FINE 0~100%	000 - 255
17	LIME 0~100%	000 - 255
18	LIME FINE 0~100%	000 - 255
19	COLOR MACRO No Function Amber Shift on Color Macro	000-002 003-005 006-255
20	CTO ON COLORS 0~100%	000 - 255
21	DIMMER SPEED MODE Preset dimmer speed from display menu Dimmer speed mode off Dimmer speed mode1 (fast speed) Dimmer speed mode2 (middle speed) Dimmer speed mode3 (slow speed)	000-051 052-101 102-152 153-203 204-255

- 4 - MANUTENZIONE

4.1 MANUTENZIONE E PULIZIA DEL SISTEMA OTTICO

- Durante gli interventi, assicurarsi che l'area sotto il luogo di installazione sia libera da personale non qualificato.
- Spegnerne l'unità, scollegare il cavo di alimentazione ed aspettare finché l'unità non si sia raffreddata.
- Tutte le viti utilizzate per l'installazione dell'unità e le sue parti devono essere assicurate saldamente e non devono essere corrose.
- Alloggiamenti, elementi di fissaggio e di installazione (soffitto, truss, sospensioni) devono essere totalmente esenti da qualsiasi deformazione.
- I cavi di alimentazione devono essere in condizione impeccabile e devono essere sostituiti immediatamente nel momento in cui anche un piccolo problema viene rilevato.
- Si dovrebbe procedere, ad intervalli regolari, alla pulizia della parte frontale per asportare polvere, fumo e altre particelle. Solo così, la luce può essere irradiata con la luminosità massima. Per la pulizia usare un panno morbido, pulito e un detergente per vetri come si trovano in commercio. Quindi asciugare le parti delicatamente.

4.2 SOSTITUZIONE FUSIBILE

1. Assicurarsi di scollegare il cavo di alimentazione del proiettore prima di sostituire un fusibile bruciato.
2. Con un cacciavite, rimuovere il portafusibile dalla sua sede e il fusibile bruciato dal suo supporto; sostituire il fusibile con uno identico per tipologia e valore.
3. Inserire il portafusibile al suo posto e ricollegare l'alimentazione.

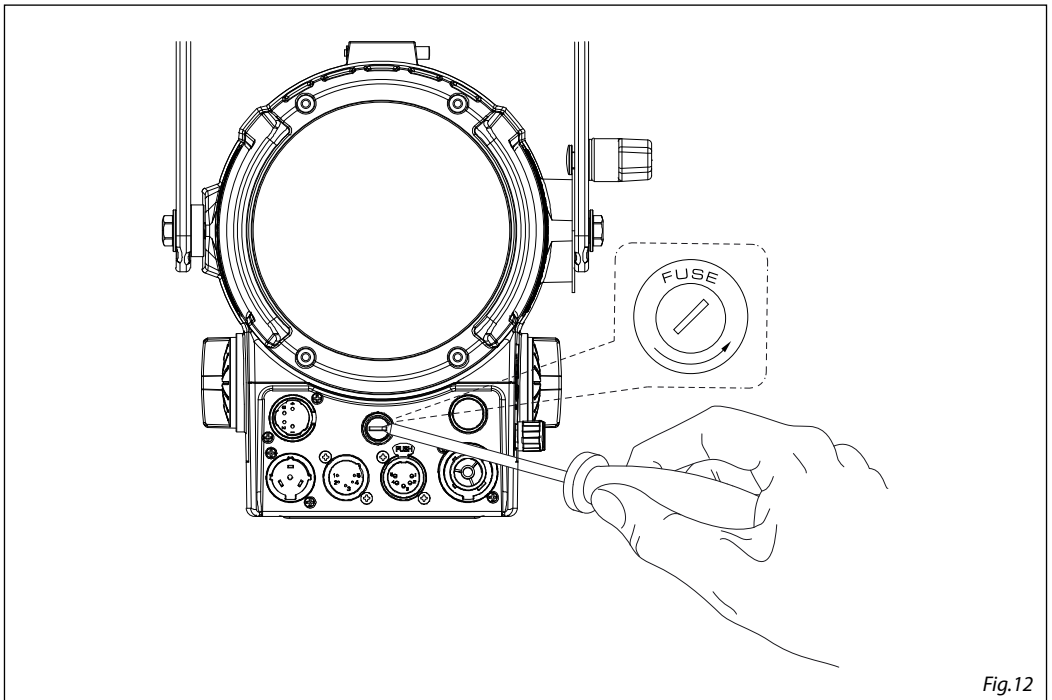


Fig.12

4.3 RISOLUZIONE DEI PROBLEMI

Anomalie	Possibili cause	Controlli e rimedi
Il proiettore non illumina	<ul style="list-style-type: none"> • Mancanza di alimentazione di rete • Dimmer impostato a 0 • LED difettoso/i 	<ul style="list-style-type: none"> • Verificare la presenza della tensione alimentazione • Incrementare i valori del canale dimmer • Sostituire scheda LED
Bassa intensità di luce generale	<ul style="list-style-type: none"> • Lenti sporche • Lente disallineata 	<ul style="list-style-type: none"> • Pulire il dispositivo regolarmente • Installare il gruppo ottico correttamente
Il proiettore non è alimentato	<ul style="list-style-type: none"> • Mancanza di alimentazione di rete • Cavo di alimentazione danneggiato 	<ul style="list-style-type: none"> • Verificare la presenza della tensione alimentazione • Controllare il cavo di alimentazione

Rivolgersi a un centro di assistenza tecnico autorizzato nel caso in cui il problema non sia riportato in tabella.

