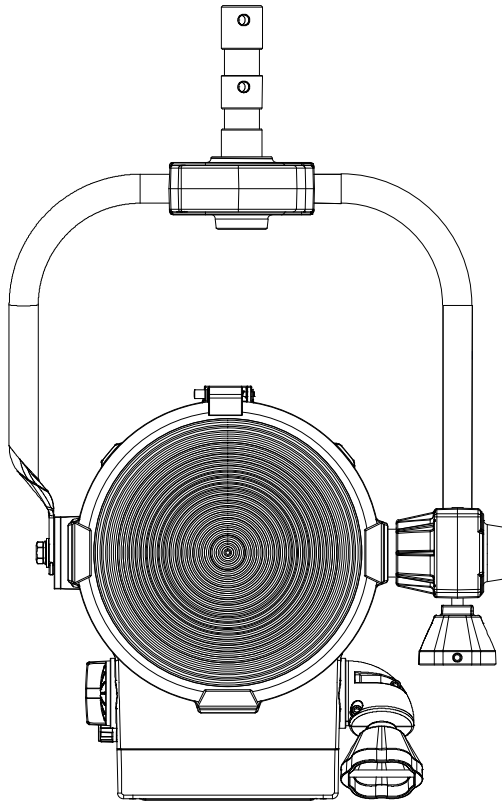


# ECLIPSE FRESNEL PTW

LED ELLIPSOIDAL



USER MANUAL  
MANUALE UTENTE

All rights reserved by Music & Lights S.r.l. No part of this instruction manual may be reproduced in any form or by any means for any commercial use.

In order to improve the quality of products, Music&Lights S.r.l. reserves the right to modify the characteristics stated in this instruction manual at any time and without prior notice.  
All revisions and updates are available in the 'manuals' section on site [www.musiclights.it](http://www.musiclights.it)

**TABLE OF CONTENTS****Safety**

General instructions .....	2
Warnings and installation precautions .....	2

**1 Introduction**

1.1 Description and specifications .....	3
1.2 Operating elements and connections .....	5

**2 Installation**

2.1 Mounting .....	6
--------------------	---

**3 Functions and settings**

3.1 Operation .....	7
3.2 Basic .....	7
3.3 Menu structure .....	8
3.4 DMX mode .....	9
3.5 DMX configuration .....	9
3.6 Setting .....	9
3.7 Channels DMX .....	10
3.8 Fixture settings .....	14
..... Dimmer .....	14
..... Led frequency .....	14
..... Factory Reload .....	14
3.9 Fixture Information .....	14

**4 Maintenance**

4.1 Maintenance and cleaning the unit .....	15
4.2 Trouble shooting .....	15

---

<b>Packing content</b>	• ECLIPSEFRESNELPTW
	• User manual

---




**WARNING!** Before carrying out any operations with the unit, carefully read this instruction manual and keep it with care for future reference. It contains important information about the installation, usage and maintenance of the unit.



## SAFETY

### General instruction

- The products referred to in this manual conform to the European Community Directives and are therefore marked with **CE**.
- The unit is supplied with hazardous network voltage (230V~). Leave servicing to skilled personnel only. Never make any modifications on the unit not described in this instruction manual, otherwise you will risk an electric shock.
- Connection must be made to a power supply system fitted with efficient earthing (Class I appliance according to standard EN 60598-1). It is, moreover, recommended to protect the supply lines of the units from indirect contact and/or shorting to earth by using appropriately sized residual current devices.
- The connection to the main network of electric distribution must be carried out by a qualified electrical installer. Check that the main frequency and voltage correspond to those for which the unit is designed as given on the electrical data label.
- This unit is not for home use, only professional applications.
- Never use the fixture under the following conditions:
  - in places subject to vibrations or bumps;
  - in places with a temperature of over 45 °C.
- Make certain that no inflammable liquids, water or metal objects enter the fixture.
- Do not dismantle or modify the fixture.
- All work must always be carried out by qualified technical personnel. Contact the nearest sales point for an inspection or contact the manufacturer directly.
- If the unit is to be put out of operation definitively, take it to a local recycling  plant for a disposal which is not harmful to the environment.

### Warnings and installation precautions

- If this device will be operated in any way different to the one described in this manual, it may suffer damage and the guarantee becomes void. Furthermore, any other operation may lead to dangers like short circuit, burns, electric shock, etc.
- Before starting any maintenance work or cleaning the projector, cut off power from the main supply.
- Always additionally secure the projector with the safety rope. When carrying out any work, always comply scrupulously with all the regulations (particularly regarding safety) currently in force in the country in which the fixture's being used.
- Install the fixture in a well ventilated place.
- Keep any inflammable material at a safe distance from the fixture.
- Shields, lenses or ultraviolet screens shall be changed if they have become damaged to such an extent that their effectiveness is impaired.
- The lamp (LED) shall be changed if it has become damaged or thermally deformed.
- Never look directly at the light beam. Please note that fast changes in lighting, e. g. flashing light, may trigger epileptic seizures in photosensitive persons or persons with epilepsy.
- Do not touch the product's housing when operating because it may be very hot.

## - 1 - INTRODUCTION

### 1.1 DESCRIPTION AND TECHNICAL SPECIFICATIONS

ECLIPSEFRESNELPTW is an advanced LED replacement of traditional 1K Fresnel lamps, featuring 6 colour mixing to deliver high precision reproduction of the White Spectrum from 2800 to 10000K with high CRI and an extensive colour reproduction.

The optical system harnesses the power of a 260W custom LED with 6 colours to create an even projection, beautiful colours and precise white, allowing the possibility to apply +/- green and magenta correction to match other sources of light.

Featuring HD dimming and tuning from 2800K to 10000K version, the ECLIPSEFRESNELPTW delivers the performance and quality of output demanded from this level of luminaire.

### LIGHT SOURCE

- Source: 260W 6 colour custom LEDs source (red, orange, green, royal blue, blue, lime)
- CT: 2800 - 10000K
- CRI: >95
- R9: >90
- Luminous flux: 7938lm
- Lux: (15°) 6517 lux - (45°) 930 luxlux @3m full
- Source life expectancy: >50.000 h

### OPTICS

- Zoom: 15°~45° manual
- Field angle: 29°~67°
- Lens diameter: 8"-200mm
- Lens type: Fresnel con zoom da 15° a 45°
- Focus: manual

### COLOUR SYSTEM

- Colour mixing: Tunable White + Color
- CTC: plus/minus green and magenta correction
- White presets: 2800-10000K
- Colour wheel: virtual colour wheel with presets

### DYNAMIC EFFECTS

- Static colour mode: selection of static colour
- Manual colour mode: manual adjustment of intensity, CT, colour correction from knob
- Auto mode: built-in programs with execution speed adjustment

### BODY

- Hardware on-board: filter frame, 8 doors barndoor, omega bracket spigot
- Pan angle: infinite
- Tilt angle: infinite

### CONTROL

- Protocols: DMX512, RDM, Local knob
- DMX channels: 1/2/5ch1/5ch2/7/9/12/13/16/19channel
- Display: black OLED high resolution display
- Firmware upgrade: yes, via USB-DMX interface (UPBOX1) not included
- Other: 16bit control of dimmer and colour

**ELECTRONICS**

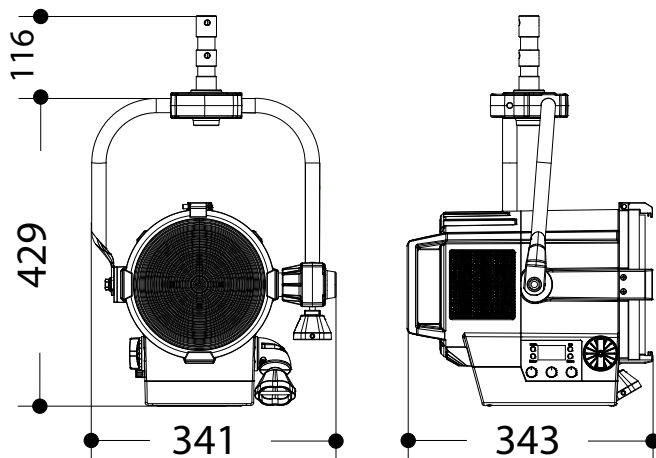
- Dimmer: linear 0~100% electronic dimmer
- Dimmer curves: 4 different dimming curves available
- Strobe / shutter: 1-30 Hz, electronic
- Operating temperature:  $-10^{\circ} \sim +45^{\circ}$
- Flicker: flicker free frequency with adjustable PWM
- Selectable PWM: 600~25K Hz

**ELECTRICAL**

- Power supply: 100-240V – 50/60Hz
- Power consumption (at 230V): 260W
- Power consumption (at 120V): 260W
- Output (at 230V): 11 units on a single power line
- Output (at 120V): 6 units on a single power line

**PHYSICAL**

- Cooling: forced air with low noise fan
- Suspension and fixing: hanging bracket suitable for safe hanging and positioning
- Signal connection: XLR 5p IN/OUT connectors
- Power connection: powerCON TRUE1 IN/OUT
- IP rating: 30
- Dimensions (WxHxD): 341x545x343mm
- Weight: 9,2kg



ECLIPSEFRESNELPTW

Fig.1 - Technical drawing

## 1.2 OPERATING ELEMENTS AND CONNECTIONS

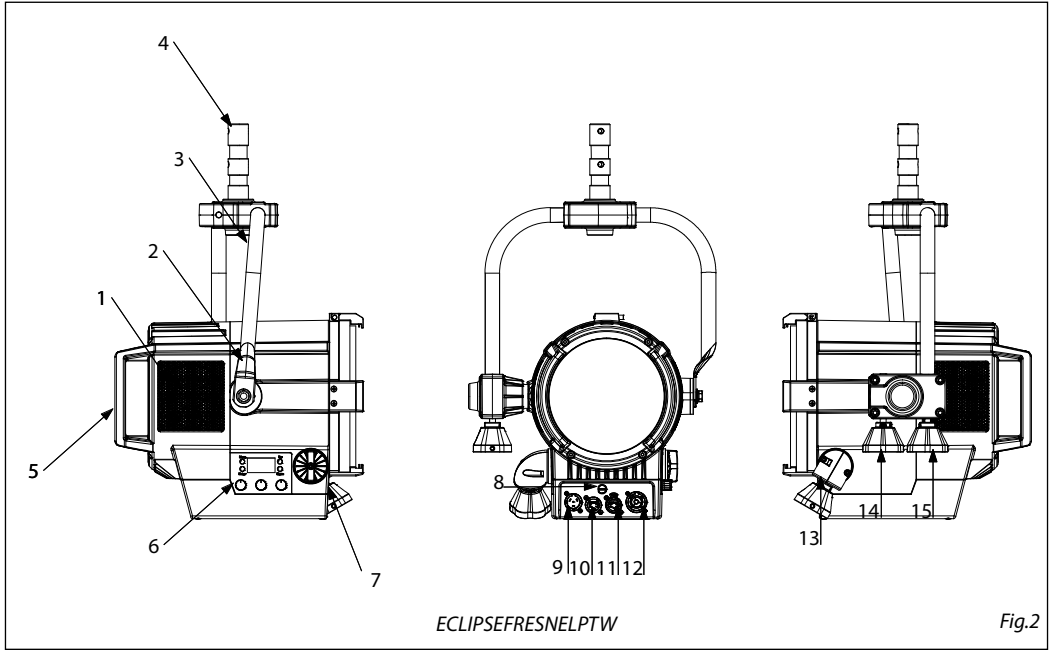


Fig.2

1. AIR OPENING
2. LOCKING KNOB for mounting bracket
3. MOUNTING BRACKET
4. TRACK-ADAPTER
5. HANDLE
6. CONTROL PANEL with display and 4 button used to access the control panel functions and manage them
7. FOCUS AND ZOOM ADJUSTING SCREW to zoom the projected image clearly
8. MAIN FUSE HOLDER: replace a burnt-out fuse by one of the same type only
9. POWER IN (PowerCON IN): for connection to a socket (100-240V~/50-60Hz) via the supplied mains cable.
10. DMX IN (5-pole XLR): 1 = ground, 2 = DMX-, 3 = DMX+, 4 N/C, 5 N/C
11. DMX OUT (5-pole XLR): 1 = ground, 2 = DMX-, 3 = DMX+, 4 N/C, 5 N/C
12. POWER OUT (PowerCON OUT): power output for connection of multiple units in series.
13. YELLOW POLE OPERATOR: Zoom pole operator.
14. WHITE POLE OPERATOR: Tilt pole operator.
15. BLUE POLE OPERATOR: Pan pole operator

## - 2 - INSTALLATION

### 2.1 MOUNTING

ECLIPSEFRESNELPTW is designed for applications in exhibition areas, commercial spaces, museums, restaurant, churches, and any other installation where size is an important factor. For fixing, stable mounting clips are required. The mounting place must be of sufficient stability and be able to support a weight of 10 times of the unit's weight.

When carrying out any installation, always comply scrupulously with all the regulations (particularly regarding safety) currently in force in the country in which the fixture's being used.

- Install the projector at a suitable location.
- Always additionally secure the projector with the safety rope from falling down. For this purpose, fasten the safety rope at a suitable position so that the maximum fall of the projector will be 20 cm. Then adjust the projector and use the knobs.

NOTE - For the installation of the ECLIPSEFRESNELPTWDY make sure that the ridge of the adaptor is in with the groove of the track. Turn knobs 90° to connect the adaptor to the circuit. Please see the figure 4.

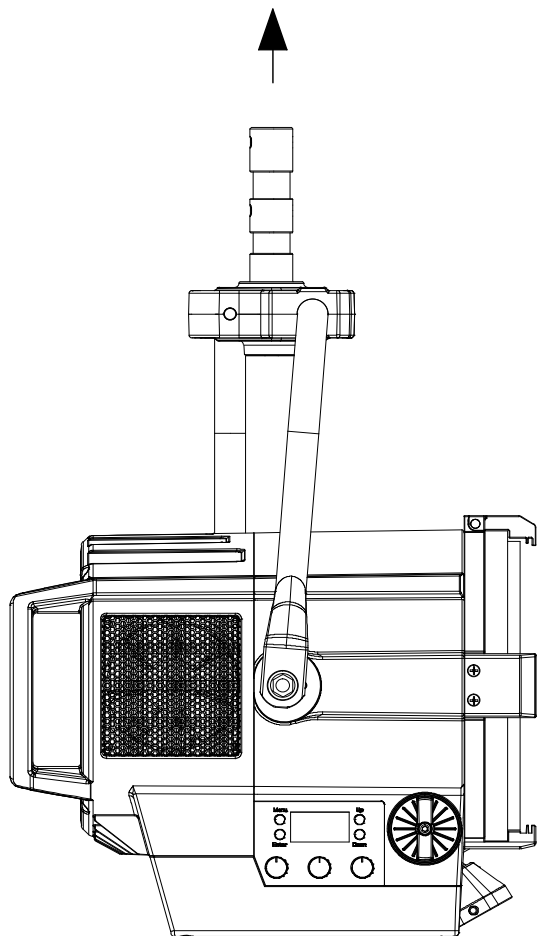


Fig.4



## - 3 - FUNCTIONS AND SETTINGS

### 3.1 OPERATION

To turn on the ECLIPSEFRESNELPTW connect the supplied main cable to a socket (100-240 VAC-50/60 Hz). Then the unit is ready for operation. You can also adjust the dimmer and zoom using the knobs.

To switch off, disconnect the mains plug from the socket. For a more convenient operation it is recommended to connect the unit to a socket which can be switched on and off via a light switch.

**NOTE** - To operate the projector ECLIPSEFRESNELPTW you need a system track. The track system must be installed and maintained by a suitably qualified person in compliance with latest construction and relevant legislation. It is the responsibility of the installer to ensure the electrical, mechanical and thermal compatibility of the track system and the fittings. The connection to the main network of electric distribution must be carried out by a qualified electrical installer.

**ATTENTION** - Mains voltage must be switched off before mounting; maintenance; insert and replace Adaptors; spots and luminaires.

### 3.2 BASIC

Access control panel functions using the four panel buttons located directly underneath the LED Display (fig.5).

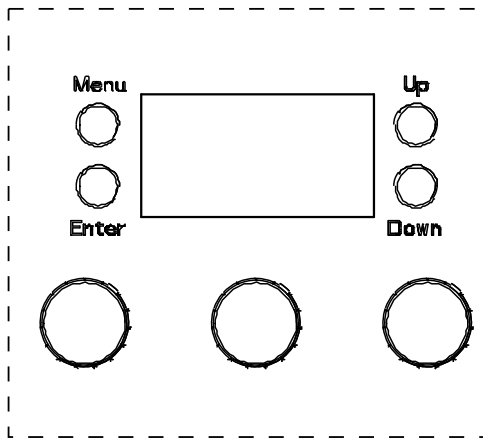


Fig.5- Functions of the buttons

MENU	UP	DOWN	ENTER
Used to access the menu or to return a previous menu option	Navigates downwards through the menu list and increases the numeric value when in a function	Navigates upwards through the menu list and decreases the numeric value when in a function	Used to select and store the current menu or confirm the current function value or option within a menu

## 3.3 MENU STRUCTURE

MENU			
1	<b>CONNECT</b>	⇒ DMX Address	⇒ Value (001-512)
		DMX Mode	⇒ 1CH 3200K (Amber Shift always On)
			⇒ 2CH ⇒ Amber Shift on (3200K)
			⇒ Color Temperature (2800 - 10000 K) (NO Amber Shift)
			⇒ Customization (Red <000-255>, Orange <000-255>, Green <000-255>, Royal Blue <000-255>, Blue <000-255>, Lime <000-255>)
			⇒ 5CH1
			⇒ 5CH2
			⇒ 7CH
			⇒ 9CH
			⇒ 12CH
			⇒ 13CH
			⇒ 16CH
			⇒ 19CH
2	<b>SETUP</b>	⇒ Screen	⇒ Back Light ⇒ On 10S 20S 30S
			⇒ Flip Display ⇒ NO-Yes
			⇒ Key Lock ⇒ NO-Yes
3	<b>ADVANCED</b>	⇒ Dimmer Mode	⇒ Off Dimmer 1 Dimmer 2 Dimmer 3
		White Balance	⇒ Off ⇒ Adjust ⇒ Red <125-255> Orange <125-255> Green <125-255> Royal Blue <125-255> Blue <125-255> Lime <125-255>
		Led Frequency	⇒ 600Hz 1200 Hz 2000 Hz 4000 Hz 6000Hz 25kHz
		Fan Mode	⇒ Auto On
		Factory Reload	⇒ NO-Yes
4	<b>INFORMATION</b>	⇒ Fixture Tlme	⇒ 0-9999
		Version	⇒ V1.0
		UID	⇒ 15D00217****
5	<b>KNOB MODE</b>	⇒ Color temperature	⇒ DIM (0~255); HUE (-0.25~+0.25); CTO (2800~10000 K) DIMMER PLUS MINUS GREEN COLOR TEMPERATURE
		Color Macro	⇒ DIM (0~255); HUE (0~255); SAT (0~255) DIMMER COLOR SATURATION

### 3.4 DMX MODE

- Press the button MENU so many times until the display shows **DMX ADDRESS**, and press the button ENTER to confirm.
- Press UP/DOWN button to select the desired value (**001-512**). Press and hold to scroll quickly.
- Press ENTER button to store.
- Press the MENU button to go back or to meet the waiting time to exit the setup menu.

To able to operate the ECLIPSEFRESNELPTW with a light controller, adjust the DMX start address for the first a DMX channel. If e. g. address 33 on the controller is provided for controlling the function of the first DMX channel, adjust the start address 33 on the ECLIPSEFRESNELPTW. The other functions of the light effect panel are then automatically assigned to the following addresses.

An example with the start address 33 is shown below:

### 3.5 DMX CONFIGURATION

ECLIPSEFRESNELPTW is equipped with different DMX configuration.

- Press the button MENU so many times until shows **DMX CHANNEL**, and press the button ENTER to confirm.
- Select the desired DMX configuration (**1CH - 2CH - 5CH1 - 5CH2 - 7CH - 9CH - 12CH - 13CH - 16CH - 19CH**) through the buttons UP/DOWN.

The tables on page 14 indicate the operating mode and DMX value.

### 3.6 SETTINGS

You can change the parameters for the device by following these steps:

#### SCREEN

You can change the following parameters related to the display, following the same procedure:

- Press the ENTER button to access the main menu.
- Press the UP / DOWN keys to scroll the menu, select the **Set Up** icon, then press the ENTER button to enter the next menu.
- Press UP / DOWN to scroll through the menu, then select **Screen**, and press the ENTER button to enter the next menu.
- Press UP / DOWN to scroll through the menu, and then select one of the following settings for the display and press the ENTER key to display it.
  - **Back Light** - Backlight display Auto Off. This feature allows you to automatically turn off the backlight after a specified time that you can set using the arrow buttons. To have the display always on select **Always On** or choose another value to turn off the display after the amount of time you choose.
  - **Flip Display** - Orientation of the display. This function allows you to rotate the display 180° to get a better view of the display when the unit is hanging upside down. Select **YES** to activate or **NO** to disable this function.
  - **Key Lock** - Lock keys. With this function, you can lock the buttons on the control panel. If this function is activated, the keys are automatically locked. To disable or temporarily disable the key lock function, press the buttons in the following order to regain access to menu commands: UP, DOWN, LEFT, RIGHT, ENTER. Select **YES** to activate or **NO** to disable.
- Press the ENTER button to confirm your choice.
- Press the LEFT button repeatedly to exit the menu and save changes.

Numero canali DMX	Indirizzo di start (esempio)	Indirizzo DMX occupati	Prossimo indirizzo di start possibile per unità n°1	Prossimo indirizzo di start possibile per unità n°2	Prossimo indirizzo di start possibile per unità n°3
5	33	33 - 37	38	43	48

## 3.7 CHANNELS DMX

## 1 CANALI

MODE 1 Ch	FUNCTION	DMX Value
1	<b>DIMMER</b> 0~100%	000 - 255

## 2 CANALI

MODE 2 Ch	FUNCTION	DMX Value
1	<b>DIMMER</b> 0~100%	000 - 255
2	<b>DIMMER SPEED MODE</b> Preset dimmer speed from display menu Dimmer speed mode off Dimmer speed mode1 (fast speed) Dimmer speed mode2 (middle speed) Dimmer speed mode3 (slow speed)	000 - 051 052 - 101 102 - 152 153 - 203 204 - 255

## 5 CANALI

MODE 5 Ch1	FUNCTION	DMX Value
1	<b>DIMMER</b> 0~100%	000 - 255
2	<b>CTO</b> 2800K - 3000K 3000K - 3200K 3200K - 3400K 3400K - 3600K 3600K - 3800K 3800K - 4000K 4000K - 4200K 4200K - 4400K 4400K - 4600K 4600K - 4800K 4800K - 5000K 5000K - 5200K 5200K - 5400K 5400K - 5600K 5600K - 5800K 5800K - 6000K 6000K - 6200K 6200K - 6400K 6400K - 6600K 6600K - 6800K 6800K - 7000K 7000K - 7200K 7200K - 7400K 7400K - 7600K 7600K - 7800K 7800K - 8000K 8000K - 8200K 8200K - 8400K 8400K - 8600K 8600K - 8800K 8800K - 9000K 9000K - 9200K 9200K - 9400K 9400K - 9600K 9600K - 9800K 9800K - 10000K	000 - 010 010 - 017 017 - 024 024 - 031 031 - 038 038 - 045 045 - 052 052 - 059 059 - 066 066 - 073 073 - 080 080 - 087 087 - 094 094 - 101 101 - 108 108 - 115 115 - 122 122 - 129 129 - 136 136 - 143 143 - 150 150 - 157 157 - 164 164 - 171 171 - 178 178 - 185 185 - 192 192 - 199 199 - 206 206 - 213 213 - 220 220 - 227 227 - 234 234 - 241 241 - 249 249 - 255
3	<b>HUE</b> 0 -25°~25°	000 - 000 001 - 255
4	<b>COLOR MACRO</b> No Function Amber Shift on Color Macro	000 - 002 003 - 005 006 - 255
5	<b>DIMMER SPEED MODE</b> Preset dimmer speed from display menu Dimmer speed mode off Dimmer speed mode1 (fast speed) Dimmer speed mode2 (middle speed) Dimmer speed mode3 (slow speed)	000 - 051 052 - 101 102 - 152 153 - 203 204 - 255

## 5 CANALI

MODE 5 Ch2	FUNCTION	DMX Value	
1	<b>DIMMER</b> 0~100%	000 - 255	
2	<b>DIMMER FINE</b> 0~100%	000 - 255	
3	<b>CTO</b> 2800K - 3000K 3000K - 3200K 3200K - 3400K 3400K - 3600K 3600K - 3800K 3800K - 4000K 4000K - 4200K 4200K - 4400K 4400K - 4600K 4600K - 4800K 4800K - 5000K 5000K - 5200K 5200K - 5400K 5400K - 5600K 5600K - 5800K 5800K - 6000K 6000K - 6200K 6200K - 6400K 6400K - 6600K 6600K - 6800K 6800K - 7000K 7000K - 7200K 7200K - 7400K 7400K - 7600K 7600K - 7800K 7800K - 8000K 8000K - 8200K 8200K - 8400K 8400K - 8600K 8600K - 8800K 8800K - 9000K 9000K - 9200K 9200K - 9400K 9400K - 9600K 9600K - 9800K 9800K - 10000K	000 - 010 010 - 017 017 - 024 024 - 031 031 - 038 038 - 045 045 - 052 052 - 059 059 - 066 066 - 073 073 - 080 080 - 087 087 - 094 094 - 101 101 - 108 108 - 115 115 - 122 122 - 129 129 - 136 136 - 143 143 - 150 150 - 157 157 - 164 164 - 171 171 - 178 178 - 185 185 - 192 192 - 199 199 - 206 206 - 213 213 - 220 220 - 227 227 - 234 234 - 241 241 - 249 249 - 255	
	4	<b>COLOR MACRO</b> No Function Amber Shift on Color Macro	000 - 002 003 - 005 006 - 255
	5	<b>DIMMER SPEED MODE</b> Preset dimmer speed from display menu Dimmer speed mode off Dimmer speed mode1 (fast speed) Dimmer speed mode2 (middle speed) Dimmer speed mode3 (slow speed)	000 - 051 052 - 101 102 - 152 153 - 203 204 - 255

## 7 CANALI

MODE 7 Ch	FUNCTION	DMX Value
1	<b>RED</b>	000 - 255
2	<b>ORANGE</b>	000 - 255
3	<b>GREEN</b>	000 - 255
4	<b>ROYAL BLUE</b>	000 - 255
5	<b>BLUE</b>	000 - 255
6	<b>LIME</b>	000 - 255
7	<b>DIMMER SPEED MODE</b> Preset dimmer speed from display menu Dimmer speed mode off Dimmer speed mode1 (fast speed) Dimmer speed mode2 (middle speed) Dimmer speed mode3 (slow speed)	000 - 051 052 - 101 102 - 152 153 - 203 204 - 255

## 9 CANALI

MODE 9 Ch	FUNCTION	DMX Value
1	<b>DIMMER</b>	000 - 255
2	<b>RED</b>	000 - 255
3	<b>ORANGE</b>	000 - 255
4	<b>GREEN</b>	000 - 255
5	<b>ROYAL BLUE</b>	000 - 255
6	<b>BLUE</b>	000 - 255
7	<b>LIME</b>	000 - 255
8	<b>STROBE</b> No Function Strobe slow to fast	000 - 010 011 - 255
9	<b>DIMMER SPEED MODE</b> Preset dimmer speed from display menu Dimmer speed mode off Dimmer speed mode1 (fast speed) Dimmer speed mode2 (middle speed) Dimmer speed mode3 (slow speed)	000 - 051 052 - 101 102 - 152 153 - 203 204 - 255

## 12 CANALI

MODE 12 Ch	FUNCTION	DMX Value
1	<b>DIMMER</b> 0~100%	000 - 255
2	<b>STROBE</b> No Function Strobe slow to fast	000 - 010 011 - 255
3	<b>RED</b>	000 - 255
4	<b>ORANGE</b>	000 - 255
5	<b>GREEN</b>	000 - 255
6	<b>ROYAL BLUE</b>	000 - 255
7	<b>BLUE</b>	000 - 255
8	<b>LIME</b>	000 - 255
9	<b>CTO</b> 2800K - 3000K 3000K - 3200K 3200K - 3400K 3400K - 3600K 3600K - 3800K 3800K - 4000K 4000K - 4200K 4200K - 4400K 4400K - 4600K 4600K - 4800K 4800K - 5000K 5000K - 5200K 5200K - 5400K 5400K - 5600K 5600K - 5800K 5800K - 6000K 6000K - 6200K 6200K - 6400K 6400K - 6600K 6600K - 6800K 6800K - 7000K 7000K - 7200K 7200K - 7400K 7400K - 7600K 7600K - 7800K 7800K - 8000K 8000K - 8200K 8200K - 8400K 8400K - 8600K 8600K - 8800K 8800K - 9000K 9000K - 9200K 9200K - 9400K 9400K - 9600K 9600K - 9800K 9800K - 10000K No Function	000 - 010 010 - 017 017 - 024 024 - 031 031 - 038 038 - 045 045 - 052 052 - 059 059 - 066 066 - 073 073 - 080 080 - 087 087 - 094 094 - 101 101 - 108 108 - 115 115 - 122 122 - 129 129 - 136 136 - 143 143 - 150 150 - 157 157 - 164 164 - 171 171 - 178 178 - 185 185 - 192 192 - 199 199 - 206 206 - 213 213 - 220 220 - 227 227 - 234 234 - 241 241 - 249 249 - 252 253 - 255

## 12 CANALI

MODE 12 Ch	FUNCTION	DMX Value
10	<b>HUE</b> 0 -25°~25°	000 - 000 001 - 255
11	<b>COLOR MACRO</b> No Function Amber Shift on Color Macro	000 - 002 003 - 005 006 - 255
12	<b>DIMMER SPEED MODE</b> Preset dimmer speed from display menu Dimmer speed mode off Dimmer speed mode1 (fast speed) Dimmer speed mode2 (middle speed) Dimmer speed mode3 (slow speed)	000 - 051 052 - 101 102 - 152 153 - 203 204 - 255

## 13 CANALI

MODE 13 Ch	FUNCTION	DMX Value
1	<b>RED</b>	000 - 255
2	<b>RED FINE</b>	000 - 255
3	<b>ORANGE</b>	000 - 255
4	<b>ORANGE FINE</b>	000 - 255
5	<b>GREEN</b>	000 - 255
6	<b>GREEN FINE</b>	000 - 255
7	<b>ROYAL BLUE</b>	000 - 255
8	<b>ROYAL BLUE FINE</b>	000 - 255
9	<b>BLUE</b>	000 - 255
10	<b>BLUE FINE</b>	000 - 255
11	<b>LIME</b>	000 - 255
12	<b>LIME FINE</b>	000 - 255
13	<b>DIMMER SPEED MODE</b> Preset dimmer speed from display menu Dimmer speed mode off Dimmer speed mode1 (fast speed) Dimmer speed mode2 (middle speed) Dimmer speed mode3 (slow speed)	000 - 051 052 - 101 102 - 152 153 - 203 204 - 255

## 16 CANALI

MODE 16 Ch	FUNCTION	DMX Value
1	<b>DIMMER</b>	000 - 255
2	<b>DIMMER FINE</b>	000 - 255
3	<b>RED</b>	000 - 255
4	<b>RED FINE</b>	000 - 255
5	<b>ORANGE</b>	000 - 255
6	<b>ORANGE FINE</b>	000 - 255
7	<b>GREEN</b>	000 - 255
8	<b>GREEN FINE</b>	000 - 255
9	<b>ROYAL BLUE</b>	000 - 255
10	<b>ROYAL BLUE FINE</b>	000 - 255
11	<b>BLUE</b>	000 - 255
12	<b>BLUE FINE</b>	000 - 255
13	<b>LIME</b>	000 - 255
14	<b>LIME FINE</b>	000 - 255
15	<b>STROBE</b> No Function Strobe slow to fast	000 - 010 011 - 255
16	<b>DIMMER SPEED MODE</b> Preset dimmer speed from display menu Dimmer speed mode off Dimmer speed mode1 (fast speed) Dimmer speed mode2 (middle speed) Dimmer speed mode3 (slow speed)	000 - 051 052 - 101 102 - 152 153 - 203 204 - 255

## 19 CANALI

MODE 19 Ch	FUNCTION	DMX Value
13	<b>LIME</b>	000 - 255
14	<b>LIME FINE</b>	000 - 255
15	<b>STROBE</b> No Function Strobe slow to fast	000 - 010 011 - 255
16	<b>CTO</b> 2800K - 3000K 3000K - 3200K 3200K - 3400K 3400K - 3600K 3600K - 3800K 3800K - 4000K 4000K - 4200K 4200K - 4400K 4400K - 4600K 4600K - 4800K 4800K - 5000K 5000K - 5200K 5200K - 5400K 5400K - 5600K 5600K - 5800K 5800K - 6000K 6000K - 6200K 6200K - 6400K 6400K - 6600K 6600K - 6800K 6800K - 7000K 7000K - 7200K 7200K - 7400K 7400K - 7600K 7600K - 7800K 7800K - 8000K 8000K - 8200K 8200K - 8400K 8400K - 8600K 8600K - 8800K 8800K - 9000K 9000K - 9200K 9200K - 9400K 9400K - 9600K 9600K - 9800K 9800K - 10000K No Function	000 - 010 010 - 017 017 - 024 024 - 031 031 - 038 038 - 045 045 - 052 052 - 059 059 - 066 066 - 073 073 - 080 080 - 087 087 - 094 094 - 101 101 - 108 108 - 115 115 - 122 122 - 129 129 - 136 136 - 143 143 - 150 150 - 157 157 - 164 164 - 171 171 - 178 178 - 185 185 - 192 192 - 199 199 - 206 206 - 213 213 - 220 220 - 227 227 - 234 234 - 241 241 - 249 249 - 252 253 - 255
17	<b>HUE</b> 0 -25°~25°	000 - 000 001 - 255
18	<b>COLOR MACRO</b> No Function Amber Shift on Color Macro	000 - 002 003 - 005 006 - 255
19	<b>DIMMER SPEED MODE</b> Preset dimmer speed from display menu Dimmer speed mode off Dimmer speed mode1 (fast speed) Dimmer speed mode2 (middle speed) Dimmer speed mode3 (slow speed)	000 - 051 052 - 101 102 - 152 153 - 203 204 - 255

## 19 CANALI

MODE 19 Ch	FUNCTION	DMX Value
1	<b>DIMMER</b>	000 - 255
2	<b>DIMMER FINE</b>	000 - 255
3	<b>RED</b>	000 - 255
4	<b>RED FINE</b>	000 - 255
5	<b>ORANGE</b>	000 - 255
6	<b>ORANGE FINE</b>	000 - 255
7	<b>GREEN</b>	000 - 255
8	<b>GREEN FINE</b>	000 - 255
9	<b>ROYAL BLUE</b>	000 - 255
10	<b>ROYAL BLUE FINE</b>	000 - 255
11	<b>BLUE</b>	000 - 255
12	<b>BLUE FINE</b>	000 - 255

### 3. 8 FIXTURE SETTINGS

It is possible to change the parameter value in the following way:

#### DIMMER

- Enter in Dimmer mode to select specific dimming curve, press the button MENU so many times until shows **DIM MODE**, and press the button ENTER to confirm.
- Press the button UP/DOWN to select **OFF - DIM1 - DIM2 - DIM3**.
- Press ENTER button to store.
- Press the MENU button to go back or to meet the waiting time to exit the setup menu.

#### WHITE CALIBRATION

- Press the button MENU then press the button UP/DOWN so many times until show **WHITE CALIBRATION**. Press the button ENTER to confirm.
- Select the color **Red, Orange, Green, Royal Blue, Blue, Lime** through the buttons UP/DOWN. Press the button ENTER to confirm.
- Set the value (125 - 255), using the buttons UP/DOWN.
- Continue until the desired setting is obtained.
- Press the MENU button to go back or to meet the waiting time to exit the setup menu.

#### LED FREQUENCY

- To adjust the frequency of the LEDs, press the MENU button repeatedly until the display shows **LED Frequency**, and then press the ENTER button.
- Select the frequency (**600Hz - 1200Hz - 2000Hz - 4000Hz - 6000Hz - 25kHz**) using the UP/DOWN buttons.
- To confirm, press the ENTER key.
- Press the MENU button to go back or wait a few seconds to exit the setup menu.

#### FACTORY RELOAD

Selezionare questa funzione per ripristinare l'unità alle impostazioni di fabbrica:

- To activate **Reset Factory** display press the button MENU so many times until shows **Factory Reload**, and press the button ENTER to confirm.
- Press ENTER button to confirm the selection.
- Press the MENU button to go back or to meet the waiting time to exit from the setup menu automatically.

### 3. 9 FIXTURE INFORMATION

To view all the information on the device, proceed as follows:

- Press the ENTER button to access the main menu.
- Press the UP/DOWN button to scroll the menu, select the icon Information, then press the ENTER button to enter the next menu.
- Press the UP/DOWN button to scroll through the menu, then select one of the following information and press the ENTER button to display it.
  - **Fixture Time** - Through the **Fixture Time** function you can display the operating time of the projector.
  - **Software Version** - Through **Version** function you can display the currently installed software version.
- Press the LEFT button repeatedly to exit the menu.



## - 4 - MAINTENANCE

### 4.1 MAINTENANCE AND CLEANING THE UNIT

- Make sure the area below the installation place is free from unwanted persons during setup.
- Switch off the unit, unplug the main cable and wait until the unit has cooled down.
- All screws used for installing the device and any of its parts should be tightly fastened and should not be corroded.
- Housings, fixations and installation spots (ceiling, trusses, suspensions) should be totally free from any deformation.
- The main cables must be in impeccable condition and should be replaced immediately even when a small problem is detected.
- It is recommended to clean the front at regular intervals, from impurities caused by dust, smoke, or other particles to ensure that the light is radiated at maximum brightness. For cleaning, disconnect the main plug from the socket. Use a soft, clean cloth moistened with a mild detergent. Then carefully wipe the part dry. For cleaning other housing parts use only a soft, clean cloth. Never use a liquid, it might penetrate the unit and cause damage to it.

### 4.2 TROUBLESHOOTING

Problems	Possible causes	Checks and remedies
Fixture does not light up	<ul style="list-style-type: none"> <li>• No mains supply</li> <li>• Dimmer fader set to 0</li> <li>• Faulty LED</li> </ul>	<ul style="list-style-type: none"> <li>• Check the power supply voltage</li> <li>• Increase the value of the dimmer channels</li> <li>• Replace the LED board</li> </ul>
General low light intensity	<ul style="list-style-type: none"> <li>• Dirty lens assembly</li> <li>• Misaligned lens assembly</li> </ul>	<ul style="list-style-type: none"> <li>• Clean the fixture regularly</li> <li>• Install lens assembly properly</li> </ul>
Fixture does not power up	<ul style="list-style-type: none"> <li>• No power</li> <li>• Loose or damaged power cord</li> </ul>	<ul style="list-style-type: none"> <li>• Check for power on power outlet</li> <li>• Check power cord</li> </ul>

Contact an authorized service center in case of technical problems or not reported in the table can not be resolved by the procedure given in the table.

Music & Lights S.r.l. si riserva ogni diritto di elaborazione in qualsiasi forma delle presenti istruzioni per l'uso.  
La riproduzione - anche parziale - per propri scopi commerciali è vietata.

Al fine di migliorare la qualità dei prodotti, la Music&Lights S.r.l. si riserva la facoltà di modificare, in qualunque momento e senza preavviso, le specifiche menzionate nel presente manuale di istruzioni.  
Tutte le revisioni e gli aggiornamenti sono disponibili nella sezione 'Manuali' sul sito [www.musiclights.it](http://www.musiclights.it)

<b>INDICE</b>	<b>Sicurezza</b>	
	Avvertenze generali .....	4
	Attenzioni e precauzioni per l'installazione .....	4
	<b>1 Introduzione</b>	
	1.1 Descrizione e specifiche tecniche .....	5
	1.2 Elementi di comando e di collegamento .....	7
	<b>2 Installazione</b>	
	2.1 Montaggio .....	8
	<b>3 Funzioni e impostazioni</b>	
	3.1 Funzionamento .....	9
	3.2 Impostazione base .....	9
	3.3 Struttura menù .....	10
	3.4 Modalità DMX .....	11
	3.5 Configurazione canali .....	11
	3.6 Impostazioni del proiettore .....	12
	3.7 Canali DMX .....	11
	3.8 Funzioni del dispositivo .....	16
	..... Dimmer .....	16
	..... Bilanciamento Bianco .....	16
	..... Frequenza led .....	16
	..... Factory Reload .....	16
	3.9 Informazioni sul dispositivo .....	16
	<b>4 Manutenzione</b>	
	4.1 Manutenzione e pulizia del sistema ottico .....	17
	4.2 Risoluzione dei problemi .....	17

---

**Contenuto dell'imballo:**

- ECLIPSEFRESNELPTW
- Manuale utente

---




**ATTENZIONE!** Prima di effettuare qualsiasi operazione con l'unità, leggere con attenzione questo manuale e conservarlo accuratamente per riferimenti futuri. Contiene informazioni importanti riguardo l'installazione, l'uso e la manutenzione dell'unità.



## SICUREZZA

### Avvertenze generali

- I prodotti a cui questo manuale si riferisce sono conformi alle Direttive della Comunità Europea e pertanto recano la sigla **CE**.
- Il dispositivo funziona con pericolosa tensione di rete 230V~. Non intervenire mai al suo interno al di fuori delle operazioni descritte nel presente manuale; esiste il pericolo di una scarica elettrica.
- È obbligatorio effettuare il collegamento ad un impianto di alimentazione dotato di un'efficiente messa a terra (apparecchio di Classe I secondo norma EN 60598-1). Si raccomanda, inoltre, di proteggere le linee di alimentazione delle unità dai contatti indiretti e/o cortocircuiti verso massa tramite l'uso di interruttori differenziali opportunamente dimensionati.
- Le operazioni di collegamento alla rete di distribuzione dell'energia elettrica devono essere effettuate da un installatore elettrico qualificato. Verificare che frequenza e tensione della rete corrispondono alla frequenza ed alla tensione per cui l'unità è predisposta, indicate sulla targhetta dei dati elettrici.
- L'unità non per uso domestico, solo per uso professionale.
- Evitare di utilizzare l'unità:
  - in luoghi soggetti a vibrazioni, o a possibili urti;
  - in luoghi a temperatura superiore ai 45°C.
- Evitare che nell'unità penetrino liquidi infiammabili, acqua o oggetti metallici.
- Non smontare e non apportare modifiche all'unità.
- Tutti gli interventi devono essere sempre e solo effettuati da personale tecnico qualificato. Rivolgersi al più vicino centro di assistenza tecnica autorizzato.
- Se si desidera eliminare il dispositivo definitivamente, consegnarlo  per lo smaltimento ad un'istituzione locale per il riciclaggio.

### Attenzioni e precauzioni per l'installazione

- Se il dispositivo dovesse trovarsi ad operare in condizioni differenti da quelle descritte nel presente manuale, potrebbero verificarsi dei danni; in tal caso la garanzia verrebbe a decadere. Inoltre, ogni altra operazione potrebbe provocare cortocircuiti, incendi, scosse elettriche, rotture etc.
- Prima di iniziare qualsiasi operazione di manutenzione o pulizia sull'unità togliere la tensione dalla rete di alimentazione.
- È assolutamente necessario proteggere l'unità per mezzo di una fune di sicurezza. Nell'eseguire qualsiasi intervento attenersi scrupolosamente a tutte le normative (in materia di sicurezza) vigenti nel paese di utilizzo.
- Installare l'unità in un luogo ben ventilato.
- Mantenere i materiali infiammabili ad una distanza di sicurezza dall'unità.
- I filtri, le lenti o gli schermi ultravioletti se danneggiati possono limitare la loro efficienza.
- I LED devono essere sostituiti se danneggiati o termicamente deformati.
- Non guardare direttamente il fascio luminoso. Tenete presente che i veloci cambi di luce possono provocare attacchi d'epilessia presso persone fotosensibili o epilettiche.
- Non toccare l'alloggiamento del prodotto quando è in funzione perché potrebbe essere molto caldo.

## - 1 - INTRODUZIONE

### 1.1 DESCRIZIONE E SPECIFICHE TECNICHE

ECLIPSEFRESNELPTW is an advanced LED replacement of traditional 1K Fresnel lamps, featuring 6 colour mixing to deliver high precision reproduction of the White Spectrum from 2800 to 10000K with high CRI and an extensive colour reproduction.

The optical system harnesses the power of a 260W custom LED with 6 colours to create an even projection, beautiful colours and precise white, allowing the possibility to apply +/- green and magenta correction to match other sources of light.

Featuring HD dimming and tuning from 2800K to 10000K version, the ECLIPSEFRESNELPTW delivers the performance and quality of output demanded from this level of luminaire.

### SORGENTE LUMINOSA

- Sorgente: 260W sorgente LED personalizzata a 6 colori (rosso, arancio, ciano, blue reale, blue, giallo limone)
- CT: 2800 - 10000K
- CRI: >95
- R9: >90
- Flusso luminoso: 7938lm
- Lux: (15°) 6517 lux - (45°) 930 luxlux @3m full
- Durata media sorgente: >50.000 h

### OTTICA

- Zoom: 15°~45° manuale
- Angolo di campo: 29°~67°
- Diametro: 8"-200mm
- Tipo lente: Fresnel con zoom da 15° a 45°
- Focus: manuale

### SISTEMA COLORE

- Miscelazione del colore: Tunable White + Color
- CTC: regolazione +/- verde e magenta
- Preset bianchi: 2800-10000K
- Ruota colori: ruota colori virtuale con preset

### EFFETTI DINAMICI

- Modalità colore statico: riproduzione statica di un colore
- Modalità colore manuale: regolazione manuale dimmer e CT con correzione colore da manopola
- Auto mode: programmi integrati con regolazione della velocità di esecuzione

### CORPO

- Hardware a bordo: telaio del filtro, barndoor ad 8 porte e attacco per mensola OMEGA inclusi
- Pan angle: ° infinito
- Tilt angle: ° infinito

### CONTROLLO

- Protocolli: DMX512, RDM, Local Knob
- Canali DMX: 1/2/5ch1/5ch2/7/9/12/13/16/19channel
- Display: display black OLED ad alta risoluzione
- Aggiornamento firmware: si, con interfaccia USB-DMX (UPBOX1) non inclusa

- Altro: 16bit control of dimmer and Color

### ELETTRONICA

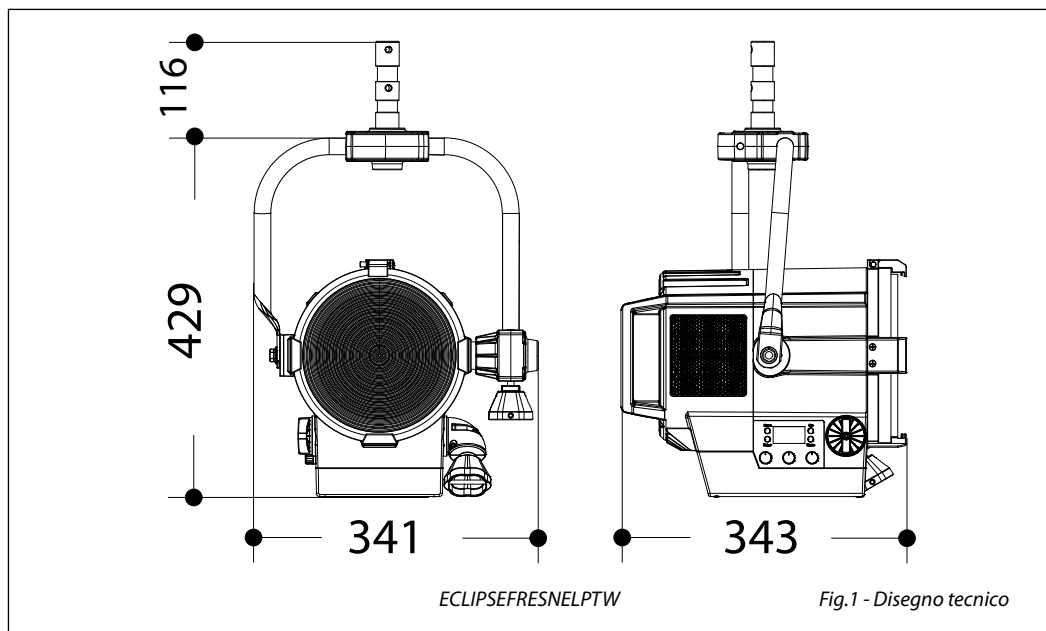
- Dimmer: 0~100% lineare, elettronico
- Curve dimmer: 4 curve dimmer regolabili
- Strobo / shutter: 1-30 Hz, elettronico
- Temperatura d'esercizio: -10° ~ +45°
- Flicker: frequenza libera dello sfarfallio con PWM regolabile
- PWM selezionabile: 600~25K Hz

### ALIMENTAZIONE

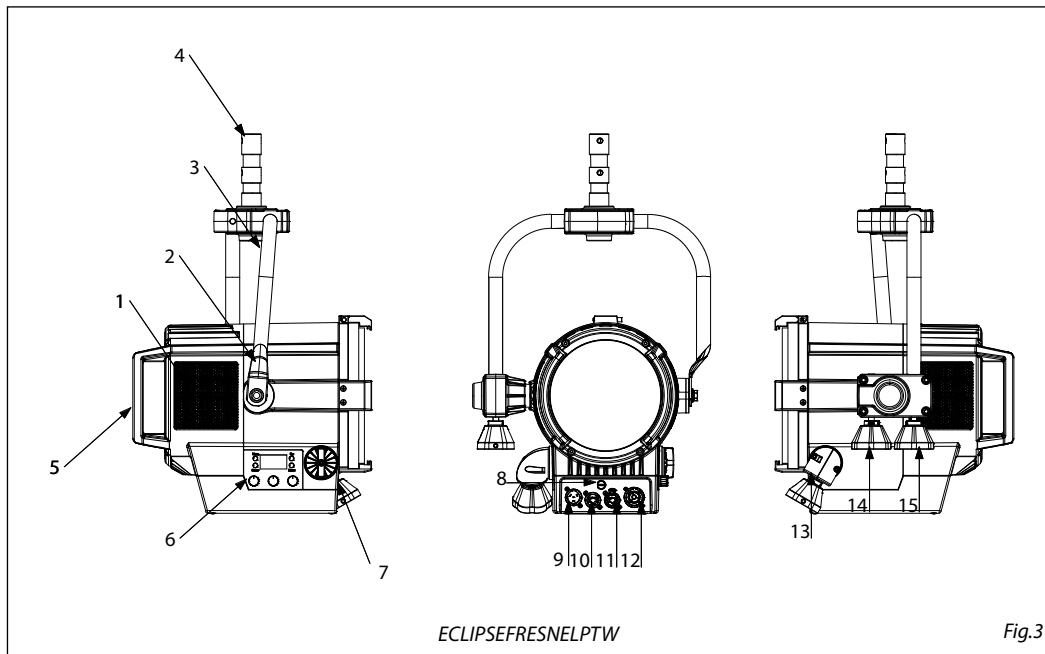
- Alimentazione elettrica: 100-240V – 50/60Hz
- Potenza assorbita (a 230V): 260W
- Potenza assorbita (a 120V): 260W
- Output (a 230V): 11 unità connesse in serie
- Output (a 120V): 6 unità connesse in serie

### CARATTERISTICHE FISICHE

- Raffreddamento: aria filtrata forzata con ventole silenziate
- Sospensione e fissaggio: staffa per il fissaggio in sospensione e per il posizionamento del proiettore con qualsiasi orientamento
- Connessione di segnale: XLR 5p IN/OUT connectors
- Connessione di alimentazione: powerCON TRUE1 IN/OUT
- Grado IP: 30
- Dimensioni (LxAxP): 341x545x343mm
- Peso: 7,5kg



## 1.2 ELEMENTI DI COMANDO E COLLEGAMENTI



1. PRESA DI VENTILAZIONE apertura per uscita flusso d'aria da non ostruire.
2. VITE DI FISSAGGIO SAGOMATORE.
3. BRACCIO GIREVOLE.
4. STAFFA DI MONTAGGIO.
5. MANIGLIE.
6. PANNELLO DI CONTROLLO con display e 4 pulsante per accesso e gestione delle funzioni.
7. VITE DI REGOLAZIONE ZOOM E MESSA A FUOCO per zoommare l'immagine proiettata in modo chiaro.
8. PORTAFUSIBILE: sostituire un fusibile difettoso solo con uno dello stesso tipo.
9. POWER IN (PowerCON IN): per il collegamento ad una presa di rete (100-240V~/50-60Hz) tramite il cavo rete in dotazione.
10. DMX IN (XLR a 5 poli): 1= massa, 2 = DMX -, 3 = DMX +, 4 N/C, 5 N/C.
11. DMX OUT (XLR a 5 poli): 1 = massa, 2 = DMX -, 3 = DMX +, 4 N/C, 5 N/C CONNETTORI EtherCON segnale IN/OUT.
12. POWER OUT (PowerCON OUT): collegamento per l'alimentazione all'unità successiva.
13. POLE OPERATOR GIALLO: Pole operator per lo zoom.
14. POLE OPERATOR BIANCO: Pole operator per Tilt.
15. POLE OPERATOR BLU: Pole operator per PAN.

## - 2 - INSTALLAZIONE

### 2.1 MONTAGGIO

ECLIPSEFRESNELPTW è stato progettato per applicazioni in campo commerciale, musei, ristoranti, chiese, teatri educativi e qualsiasi altro ambito in cui le dimensioni rappresentano un fattore importante.

Per il fissaggio occorrono dei supporti robusti per il montaggio. L'area di collocazione deve avere una stabilità sufficiente e supportare almeno 10 volte il peso dell'unità. Inoltre assicurarsi di rispettare tutte le avvertenze in materia di sicurezza.

- Fissare il proiettore ad una collocazione idonea.
- È assolutamente necessario assicurare il proiettore contro la caduta utilizzando un cavo di sicurezza: in particolare collegare il cavo in un punto adatto in modo che la caduta del proiettore non possa superare i 20 cm. Quindi orientare il proiettore.

NOTA - Per l'installazione del proiettore ECLIPSEFRESNELPTW inserire il gancio (incluso) o un morsetto idoneo per fissarlo ad un sistema sospeso.

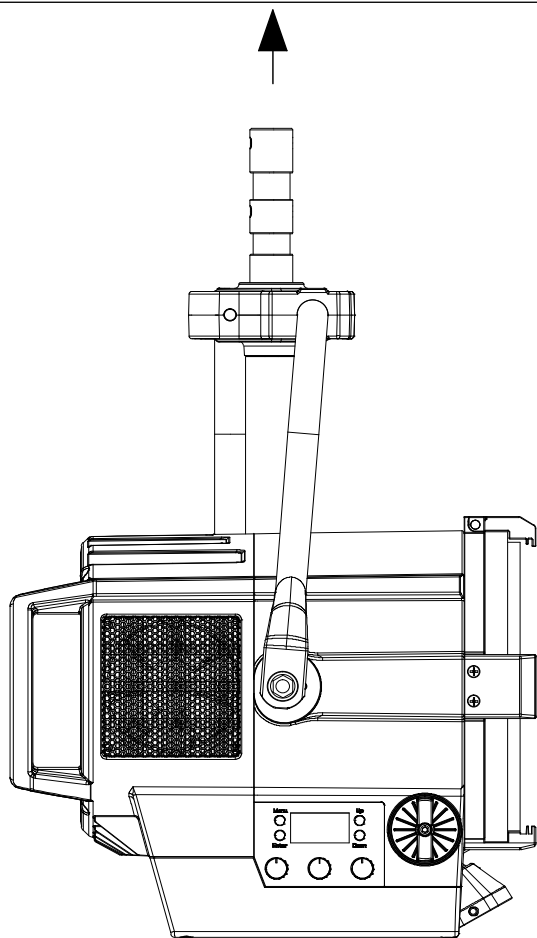


Fig.4



## - 3 - FUNZIONI E IMPOSTAZIONI

### 3.1 FUNZIONAMENTO

Per accendere il ECLIPSEFRESNELPTW, inserire la spina del cavo di alimentazione in una presa di rete (100-240V~/50-60Hz). Effettuare le regolazioni del dimmer e dello zoom mediante le relative manopole. Dopo l'utilizzo spegnere il dispositivo, staccare la spina dalla presa di rete. Per maggiore comodità è consigliabile collegare l'unità con una presa comandata da un interruttore.

NOTA - Per il funzionamento del proiettore ECLIPSEFRESNELPTW è necessario realizzare invece un sistema track. Il sistema di binari deve essere installato e gestito da personale qualificato in conformità con le relative normative vigenti nel paese di utilizzo. È responsabilità dell'installatore garantire la compatibilità elettrica, meccanica e termica del sistema. In particolare, le operazioni di collegamento alla rete di distribuzione dell'energia elettrica devono essere effettuate da un installatore elettrico qualificato.

ATTENZIONE - Assicurarsi di togliere la tensione di alimentazione prima di iniziare qualsiasi intervento di manutenzione, inserimento e sostituzione di track-adpater (optional) e dispositivi di illuminazione.

### 3.2 IMPOSTAZIONE BASE

Il ECLIPSEFRESNELPTW dispone di un display e 1 pulsante per accesso alle funzioni del pannello di controllo (fig.5).

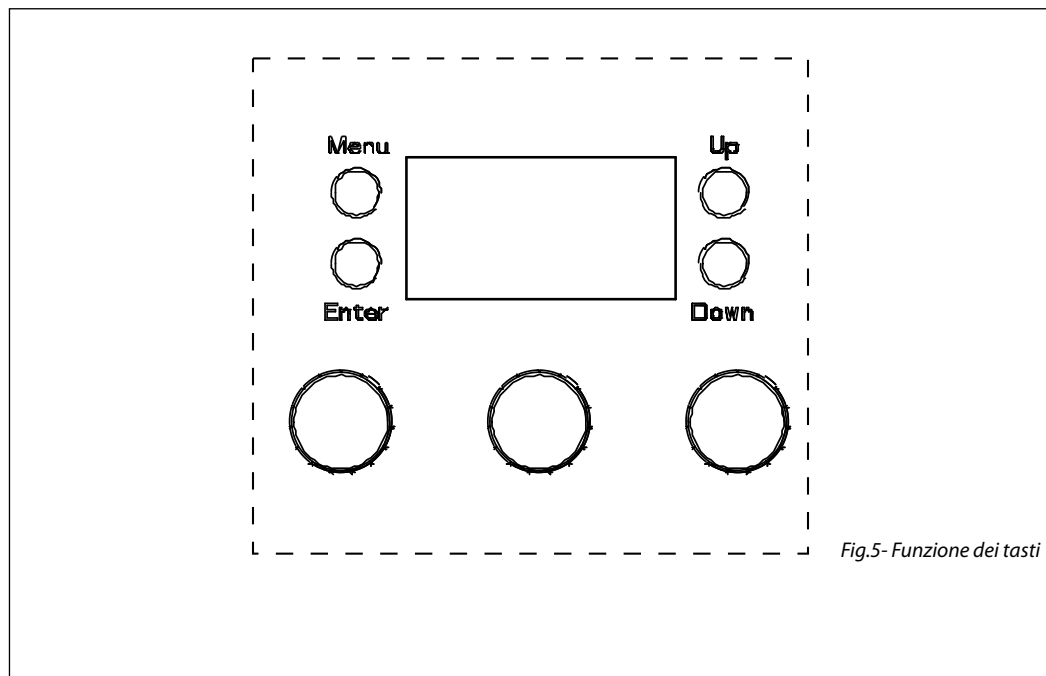


Fig.5- Funzione dei tasti

MENU	UP	DOWN	ENTER
Per scorrere il menu principale o tornare ad una opzione del menu precedente	Per scorrere attraverso le diverse funzioni in ordine discendente o aumentare il valore della funzione stessa	Per scorrere attraverso le diverse funzioni in ordine ascendente o diminuire il valore della funzione stessa	Per entrare nel menu selezionato o confermare il valore attuale della funzione o l'opzione all'interno di un menu

## 3.3 STRUTTURA MENU

MENU				
1	<b>CONNECT</b>	⇒ DMX Address	⇒ Value (001-512)	
		DMX Mode	⇒ 1CH	3200K (Amber Shift always On)
			2CH	⇒ Amber Shift on (3200K)
				⇒ Color Temperature (2800 - 10000 K) (NO Amber Shift)
				⇒ Customization (Red <000-255>, Orange <000-255>, Green <000-255>, Royal Blue <000-255>, Blue <000-255>, Lime <000-255>)
			5CH1	
			5CH2	
			7CH	
			9CH	
			12CH	
			13CH	
			16CH	
			19CH	
		2	<b>SETUP</b>	⇒ Screen
	⇒ Flip Display			⇒ NO-Yes
	⇒ Key Lock			⇒ NO-Yes
3	<b>ADVANCED</b>	⇒ Dimmer Mode	⇒ Off Dimmer 1 Dimmer 2 Dimmer 3	
		White Balance	⇒ Off	
			⇒ Adjust	⇒ Red <125-255> Orange <125-255> Green <125-255> Royal Blue <125-255> Blue <125-255> Lime <125-255>
		Led Frequency	⇒ 600Hz 1200 Hz 2000 Hz 4000 Hz 6000Hz 25kHz	
		Fan Mode	⇒ Auto On	
		Factory Reload	⇒ NO-Yes	
4	<b>INFORMATION</b>	⇒ Fixture Tlme	⇒ 0-9999	
		Version	⇒ V1.0	
		UID	⇒ 15D00217****	
5	<b>KNOB MODE</b>	⇒ Color temperature	⇒ DIM (0~255); HUE (-0.25~+0.25); CTO (2800~10000 K)	DIMMER PLUS MINUS GREEN COLOR TEMPERATURE
		Color Macro	⇒ DIM (0~255); HUE (0~255); SAT (0~255)	DIMMER COLOR SATURATION

### 3.4 MODALITÀ DMX

- Per impostare l'indirizzo DMX, premere il tasto MENU fino a quando sul display non appare **DMX ADDRESS**, quindi premere il tasto ENTER.
- Premere il tasto UP/DOWN per selezionare il valore desiderato (**001-512**); tenere premuto invece il tasto UP/DOWN per lo scorrimento veloce. Premere il tasto ENTER per confermare l'impostazione.

Per poter comandare il ECLIPSEFRESNELPTW con un'unità di comando luce, occorre impostare l'indirizzo di start DMX per il primo canale DMX. Se, per esempio, sull'unità di comando è previsto l'indirizzo 33 per comandare la funzione del primo canale DMX, si deve impostare sul ECLIPSEFRESNELPTW/TRWD l'indirizzo di start 33. Le altre funzioni del pannello saranno assegnate automaticamente agli indirizzi successivi. Segue un esempio con indirizzo 33 di start:

### 3.5 CONFIGURAZIONE CANALI DMX

Il ECLIPSEFRESNELPTW dispone di diverse configurazioni dei canali DMX a cui si può accedere dal pannello di controllo.

- Premere il tasto MENU fino a quando sul display non appare **DMX CHANNEL**, quindi premere il tasto ENTER.
- Attraverso i tasti UP/DOWN selezionare la configurazione dei canali DMX che si desidera (**1CH - 2CH - 5CH1 - 5CH2 - 7CH - 9CH - 12CH - 13CH - 16CH - 19CH**). Premere il tasto ENTER per confermare.

Le tabelle a pagina indicano le modalità di funzionamento e i relativi valori DMX.

### 3.6 IMPOSTAZIONI DEL PROIETTORE

È possibile modificare i parametri relativi al dispositivo procedendo nel seguente modo:

#### SCREEN

È possibile modificare i seguenti parametri, relativi al display, seguendo la medesima procedura:

- Premere il tasto ENTER per accedere al menu principale.
- Premere il tasto UP/DOWN per scorrere nel menu, selezionare **Set Up**, quindi premere il tasto ENTER per accedere al menu successivo.
- Premere il tasto UP/DOWN per selezionare **Screen** e premere il tasto ENTER per procedere.
- Selezionare l'opzione proposta con il tasto UP/DOWN e premere il tasto ENTER per confermare.
  - **Backlight** - Retroilluminazione display Auto Off. Questa funzione permette di spegnere automaticamente la retroilluminazione del display dopo un determinato tempo che può essere impostato tramite i tasti direzionali. Per avere il display sempre acceso seleziona **Always On** oppure impostare un valore tra quelli indicati per far spegnere il display una volta trascorso il tempo scelto, dopo l'uscita dal menu.
  - **Flip Display** - Orientamento del display. Questa funzione permette di ruotare il display di 180° per ottenere una migliore visualizzazione del display quando l'unità è appesa a testa in giù. Selezionare **YES** per attivare la funzione oppure **NO** per disattivarla.
  - **Key lock** - Blocco tasti. Con questa funzione è possibile bloccare i tasti del pannello di controllo, per evitare, ad esempio, manomissioni delle impostazioni. Se questa funzione viene attivata, i tasti vengono bloccati automaticamente. Per disattivare o temporaneamente o disattivare la funzione di blocco tasti, premere i tasti nel seguente ordine per riottenere l'accesso ai comandi di menu: SU, GIÙ, SU, GIÙ, ENTER, ENTER. Selezionare **YES** per attivare la funzione oppure **NO** per disattivarla.
- Premere il tasto ENTER per confermare la scelta.
- Premere il tasto MENU più volte per uscire dal menu e per salvare le modifiche apportate.

Numero canali DMX	Indirizzo di start (esempio)	Indirizzo DMX occupati	Prossimo indirizzo di start possibile per unità n°1	Prossimo indirizzo di start possibile per unità n°2	Prossimo indirizzo di start possibile per unità n°3
5	33	33 - 37	38	43	48

## 3.7 CANALI DMX

## 1 CANALI

MODE 1 Ch	FUNCTION	DMX Value
1	<b>DIMMER</b> 0~100%	000 - 255

## 2 CANALI

MODE 2 Ch	FUNCTION	DMX Value
1	<b>DIMMER</b> 0~100%	000 - 255
2	<b>DIMMER SPEED MODE</b> Preset dimmer speed from display menu Dimmer speed mode off Dimmer speed mode1 (fast speed) Dimmer speed mode2 (middle speed) Dimmer speed mode3 (slow speed)	000 - 051 052 - 101 102 - 152 153 - 203 204 - 255

## 5 CANALI

MODE 5 Ch1	FUNCTION	DMX Value
1	<b>DIMMER</b> 0~100%	000 - 255
2	<b>CTO</b> 2800K - 3000K 3000K - 3200K 3200K - 3400K 3400K - 3600K 3600K - 3800K 3800K - 4000K 4000K - 4200K 4200K - 4400K 4400K - 4600K 4600K - 4800K 4800K - 5000K 5000K - 5200K 5200K - 5400K 5400K - 5600K 5600K - 5800K 5800K - 6000K 6000K - 6200K 6200K - 6400K 6400K - 6600K 6600K - 6800K 6800K - 7000K 7000K - 7200K 7200K - 7400K 7400K - 7600K 7600K - 7800K 7800K - 8000K 8000K - 8200K 8200K - 8400K 8400K - 8600K 8600K - 8800K 8800K - 9000K 9000K - 9200K 9200K - 9400K 9400K - 9600K 9600K - 9800K 9800K - 10000K	000 - 010 010 - 017 017 - 024 024 - 031 031 - 038 038 - 045 045 - 052 052 - 059 059 - 066 066 - 073 073 - 080 080 - 087 087 - 094 094 - 101 101 - 108 108 - 115 115 - 122 122 - 129 129 - 136 136 - 143 143 - 150 150 - 157 157 - 164 164 - 171 171 - 178 178 - 185 185 - 192 192 - 199 199 - 206 206 - 213 213 - 220 220 - 227 227 - 234 234 - 241 241 - 249 249 - 255
3	<b>HUE</b> 0 -25°~25°	000 - 000 001 - 255
4	<b>COLOR MACRO</b> No Function Amber Shift on Color Macro	000 - 002 003 - 005 006 - 255
5	<b>DIMMER SPEED MODE</b> Preset dimmer speed from display menu Dimmer speed mode off Dimmer speed mode1 (fast speed) Dimmer speed mode2 (middle speed) Dimmer speed mode3 (slow speed)	000 - 051 052 - 101 102 - 152 153 - 203 204 - 255

## 5 CANALI

MODE 5 Ch2	FUNCTION	DMX Value	
1	<b>DIMMER</b> 0~100%	000 - 255	
2	<b>DIMMER FINE</b> 0~100%	000 - 255	
3	<b>CTO</b> 2800K - 3000K 3000K - 3200K 3200K - 3400K 3400K - 3600K 3600K - 3800K 3800K - 4000K 4000K - 4200K 4200K - 4400K 4400K - 4600K 4600K - 4800K 4800K - 5000K 5000K - 5200K 5200K - 5400K 5400K - 5600K 5600K - 5800K 5800K - 6000K 6000K - 6200K 6200K - 6400K 6400K - 6600K 6600K - 6800K 6800K - 7000K 7000K - 7200K 7200K - 7400K 7400K - 7600K 7600K - 7800K 7800K - 8000K 8000K - 8200K 8200K - 8400K 8400K - 8600K 8600K - 8800K 8800K - 9000K 9000K - 9200K 9200K - 9400K 9400K - 9600K 9600K - 9800K 9800K - 10000K	000 - 010 010 - 017 017 - 024 024 - 031 031 - 038 038 - 045 045 - 052 052 - 059 059 - 066 066 - 073 073 - 080 080 - 087 087 - 094 094 - 101 101 - 108 108 - 115 115 - 122 122 - 129 129 - 136 136 - 143 143 - 150 150 - 157 157 - 164 164 - 171 171 - 178 178 - 185 185 - 192 192 - 199 199 - 206 206 - 213 213 - 220 220 - 227 227 - 234 234 - 241 241 - 249 249 - 255	
	4	<b>COLOR MACRO</b> No Function Amber Shift on Color Macro	000 - 002 003 - 005 006 - 255
	5	<b>DIMMER SPEED MODE</b> Preset dimmer speed from display menu Dimmer speed mode off Dimmer speed mode1 (fast speed) Dimmer speed mode2 (middle speed) Dimmer speed mode3 (slow speed)	000 - 051 052 - 101 102 - 152 153 - 203 204 - 255

## 7 CANALI

MODE 7 Ch	FUNCTION	DMX Value
1	<b>RED</b>	000 - 255
2	<b>ORANGE</b>	000 - 255
3	<b>GREEN</b>	000 - 255
4	<b>ROYAL BLUE</b>	000 - 255
5	<b>BLUE</b>	000 - 255
6	<b>LIME</b>	000 - 255
7	<b>DIMMER SPEED MODE</b> Preset dimmer speed from display menu Dimmer speed mode off Dimmer speed mode1 (fast speed) Dimmer speed mode2 (middle speed) Dimmer speed mode3 (slow speed)	000 - 051 052 - 101 102 - 152 153 - 203 204 - 255

## 9 CANALI

MODE 9 Ch	FUNCTION	DMX Value
1	<b>DIMMER</b>	000 - 255
2	<b>RED</b>	000 - 255
3	<b>ORANGE</b>	000 - 255
4	<b>GREEN</b>	000 - 255
5	<b>ROYAL BLUE</b>	000 - 255
6	<b>BLUE</b>	000 - 255
7	<b>LIME</b>	000 - 255
8	<b>STROBE</b> No Function Strobe slow to fast	000 - 010 011 - 255
9	<b>DIMMER SPEED MODE</b> Preset dimmer speed from display menu Dimmer speed mode off Dimmer speed mode1 (fast speed) Dimmer speed mode2 (middle speed) Dimmer speed mode3 (slow speed)	000 - 051 052 - 101 102 - 152 153 - 203 204 - 255

## 12 CANALI

MODE 12 Ch	FUNCTION	DMX Value
1	<b>DIMMER</b> 0~100%	000 - 255
2	<b>STROBE</b> No Function Strobe slow to fast	000 - 010 011 - 255
3	<b>RED</b>	000 - 255
4	<b>ORANGE</b>	000 - 255
5	<b>GREEN</b>	000 - 255
6	<b>ROYAL BLUE</b>	000 - 255
7	<b>BLUE</b>	000 - 255
8	<b>LIME</b>	000 - 255
9	<b>CTO</b> 2800K - 3000K 3000K - 3200K 3200K - 3400K 3400K - 3600K 3600K - 3800K 3800K - 4000K 4000K - 4200K 4200K - 4400K 4400K - 4600K 4600K - 4800K 4800K - 5000K 5000K - 5200K 5200K - 5400K 5400K - 5600K 5600K - 5800K 5800K - 6000K 6000K - 6200K 6200K - 6400K 6400K - 6600K 6600K - 6800K 6800K - 7000K 7000K - 7200K 7200K - 7400K 7400K - 7600K 7600K - 7800K 7800K - 8000K 8000K - 8200K 8200K - 8400K 8400K - 8600K 8600K - 8800K 8800K - 9000K 9000K - 9200K 9200K - 9400K 9400K - 9600K 9600K - 9800K 9800K - 10000K No Function	000 - 010 010 - 017 017 - 024 024 - 031 031 - 038 038 - 045 045 - 052 052 - 059 059 - 066 066 - 073 073 - 080 080 - 087 087 - 094 094 - 101 101 - 108 108 - 115 115 - 122 122 - 129 129 - 136 136 - 143 143 - 150 150 - 157 157 - 164 164 - 171 171 - 178 178 - 185 185 - 192 192 - 199 199 - 206 206 - 213 213 - 220 220 - 227 227 - 234 234 - 241 241 - 249 249 - 252 253 - 255

## 12 CANALI

MODE 12 Ch	FUNCTION	DMX Value
10	<b>HUE</b> 0 -25°~25°	000 - 000 001 - 255
11	<b>COLOR MACRO</b> No Function Amber Shift on Color Macro	000 - 002 003 - 005 006 - 255
12	<b>DIMMER SPEED MODE</b> Preset dimmer speed from display menu Dimmer speed mode off Dimmer speed mode1 (fast speed) Dimmer speed mode2 (middle speed) Dimmer speed mode3 (slow speed)	000 - 051 052 - 101 102 - 152 153 - 203 204 - 255

## 13 CANALI

MODE 13 Ch	FUNCTION	DMX Value
1	<b>RED</b>	000 - 255
2	<b>RED FINE</b>	000 - 255
3	<b>ORANGE</b>	000 - 255
4	<b>ORANGE FINE</b>	000 - 255
5	<b>GREEN</b>	000 - 255
6	<b>GREEN FINE</b>	000 - 255
7	<b>ROYAL BLUE</b>	000 - 255
8	<b>ROYAL BLUE FINE</b>	000 - 255
9	<b>BLUE</b>	000 - 255
10	<b>BLUE FINE</b>	000 - 255
11	<b>LIME</b>	000 - 255
12	<b>LIME FINE</b>	000 - 255
13	<b>DIMMER SPEED MODE</b> Preset dimmer speed from display menu Dimmer speed mode off Dimmer speed mode1 (fast speed) Dimmer speed mode2 (middle speed) Dimmer speed mode3 (slow speed)	000 - 051 052 - 101 102 - 152 153 - 203 204 - 255

## 16 CANALI

MODE 16 Ch	FUNCTION	DMX Value
1	<b>DIMMER</b>	000 - 255
2	<b>DIMMER FINE</b>	000 - 255
3	<b>RED</b>	000 - 255
4	<b>RED FINE</b>	000 - 255
5	<b>ORANGE</b>	000 - 255
6	<b>ORANGE FINE</b>	000 - 255
7	<b>GREEN</b>	000 - 255
8	<b>GREEN FINE</b>	000 - 255
9	<b>ROYAL BLUE</b>	000 - 255
10	<b>ROYAL BLUE FINE</b>	000 - 255
11	<b>BLUE</b>	000 - 255
12	<b>BLUE FINE</b>	000 - 255
13	<b>LIME</b>	000 - 255
14	<b>LIME FINE</b>	000 - 255
15	<b>STROBE</b> No Function Strobe slow to fast	000 - 010 011 - 255
16	<b>DIMMER SPEED MODE</b> Preset dimmer speed from display menu Dimmer speed mode off Dimmer speed mode1 (fast speed) Dimmer speed mode2 (middle speed) Dimmer speed mode3 (slow speed)	000 - 051 052 - 101 102 - 152 153 - 203 204 - 255

## 19 CANALI

MODE 19 Ch	FUNCTION	DMX Value
1	<b>DIMMER</b>	000 - 255
2	<b>DIMMER FINE</b>	000 - 255
3	<b>RED</b>	000 - 255
4	<b>RED FINE</b>	000 - 255
5	<b>ORANGE</b>	000 - 255
6	<b>ORANGE FINE</b>	000 - 255
7	<b>GREEN</b>	000 - 255
8	<b>GREEN FINE</b>	000 - 255
9	<b>ROYAL BLUE</b>	000 - 255
10	<b>ROYAL BLUE FINE</b>	000 - 255
11	<b>BLUE</b>	000 - 255
12	<b>BLUE FINE</b>	000 - 255

## 19 CANALI

MODE 19 Ch	FUNCTION	DMX Value
13	<b>LIME</b>	000 - 255
14	<b>LIME FINE</b>	000 - 255
15	<b>STROBE</b> No Function Strobe slow to fast	000 - 010 011 - 255
16	<b>CTO</b> 2800K - 3000K 3000K - 3200K 3200K - 3400K 3400K - 3600K 3600K - 3800K 3800K - 4000K 4000K - 4200K 4200K - 4400K 4400K - 4600K 4600K - 4800K 4800K - 5000K 5000K - 5200K 5200K - 5400K 5400K - 5600K 5600K - 5800K 5800K - 6000K 6000K - 6200K 6200K - 6400K 6400K - 6600K 6600K - 6800K 6800K - 7000K 7000K - 7200K 7200K - 7400K 7400K - 7600K 7600K - 7800K 7800K - 8000K 8000K - 8200K 8200K - 8400K 8400K - 8600K 8600K - 8800K 8800K - 9000K 9000K - 9200K 9200K - 9400K 9400K - 9600K 9600K - 9800K 9800K - 10000K No Function	000 - 010 010 - 017 017 - 024 024 - 031 031 - 038 038 - 045 045 - 052 052 - 059 059 - 066 066 - 073 073 - 080 080 - 087 087 - 094 094 - 101 101 - 108 108 - 115 115 - 122 122 - 129 129 - 136 136 - 143 143 - 150 150 - 157 157 - 164 164 - 171 171 - 178 178 - 185 185 - 192 192 - 199 199 - 206 206 - 213 213 - 220 220 - 227 227 - 234 234 - 241 241 - 249 249 - 252 253 - 255
17	<b>HUE</b> 0 -25°~25°	000 - 000 001 - 255
18	<b>COLOR MACRO</b> No Function Amber Shift on Color Macro	000 - 002 003 - 005 006 - 255
19	<b>DIMMER SPEED MODE</b> Preset dimmer speed from display menu Dimmer speed mode off Dimmer speed mode1 (fast speed) Dimmer speed mode2 (middle speed) Dimmer speed mode3 (slow speed)	000 - 051 052 - 101 102 - 152 153 - 203 204 - 255

### 3.8 FUNZIONI DISPOSITIVO

Per il ECLIPSEFRESNELPTW è possibile accedere alle seguenti funzioni dispositivo:

#### DIMMER

- Per entrare nella modalità dimmer e scegliere e simulare diverse curve dimming, scorrere nel menu, selezionare l'icona **Advanced**, scorrere nel MENU fino a quando sul display non compare **DIM MODE**, quindi premere il tasto ENTER.
- Premere il tasto UP/DOWN per selezionare (**OFF - DIM1 - DIM2 - DIM3**).
- Premere il tasto ENTER per confermare la scelta.
- Premere il tasto MENU per tornare indietro o attendere alcuni secondi per uscire dal menu di impostazione.

#### BILANCIAMENTO BIANCO

- Per impostare il bilanciamento del bianco premere il tasto MENU fino a quando sul display non appare **WHITE BALANCE**, quindi premere il tasto ENTER.
- Premere il tasto UP/DOWN per selezionare una delle seguenti impostazioni: **Red, Orange, Green, Royal Blue, Blue, Lime**. Poi premere il tasto ENTER.
- Utilizzare i tasti UP/DOWN per impostare il valore desiderato **125 - 255**.
- Premere il tasto MENU per tornare indietro o attendere alcuni secondi per uscire dal menu di impostazione.

#### FREQUENZA LED

- Per regolare la frequenza dei LED, premere il tasto MENU ripetutamente fino a quando sul display non compare **LED FREQUENCY**, quindi premere il tasto ENTER.
- Selezionare il valore della frequenza (**600Hz - 1200Hz - 2000Hz - 4000Hz - 6000Hz 25kHz**) attraverso i tasti UP/DOWN.
- Per confermare premere il tasto ENTER.
- Premere il tasto MENU per tornare indietro o attendere alcuni secondi per uscire dal menu di impostazione.

#### FACTORY RELOAD

Selezionare questa funzione per ripristinare l'unità alle impostazioni di fabbrica:

- Premere il tasto ENTER per accedere al menu principale.
- Premere il tasto UP/DOWN per selezionare **Factory Reload** e premere il tasto ENTER per procedere.
- Premere i tasti UP/DOWN per selezionare **Yes** oppure **No**, quindi premere il tasto ENTER per confermare.

### 3.9 INFORMAZIONI SUL DISPOSITIVO

Per visualizzare tutte le informazioni sul dispositivo procedere nel seguente modo:

- Premere il tasto ENTER per accedere al menu principale.
- Premere il tasto UP/DOWN per selezionare l'icona **Information**, quindi premere il tasto ENTER per accedere al menu successivo.
- Premere il tasto UP/DOWN per scorrere nel menu, quindi selezionare una delle seguenti informazioni e premere il tasto ENTER per visualizzarla.
  - **Fixture Time** - Attraverso la funzione **Fixture Time** è possibile visualizzare sul display il tempo di funzionamento del proiettore.
  - **Software Version** - Attraverso la funzione **Version** è possibile visualizzare sul display la versione del software installata.
- Premere il tasto MENU più volte per uscire dal menu.



## - 4 - MANUTENZIONE

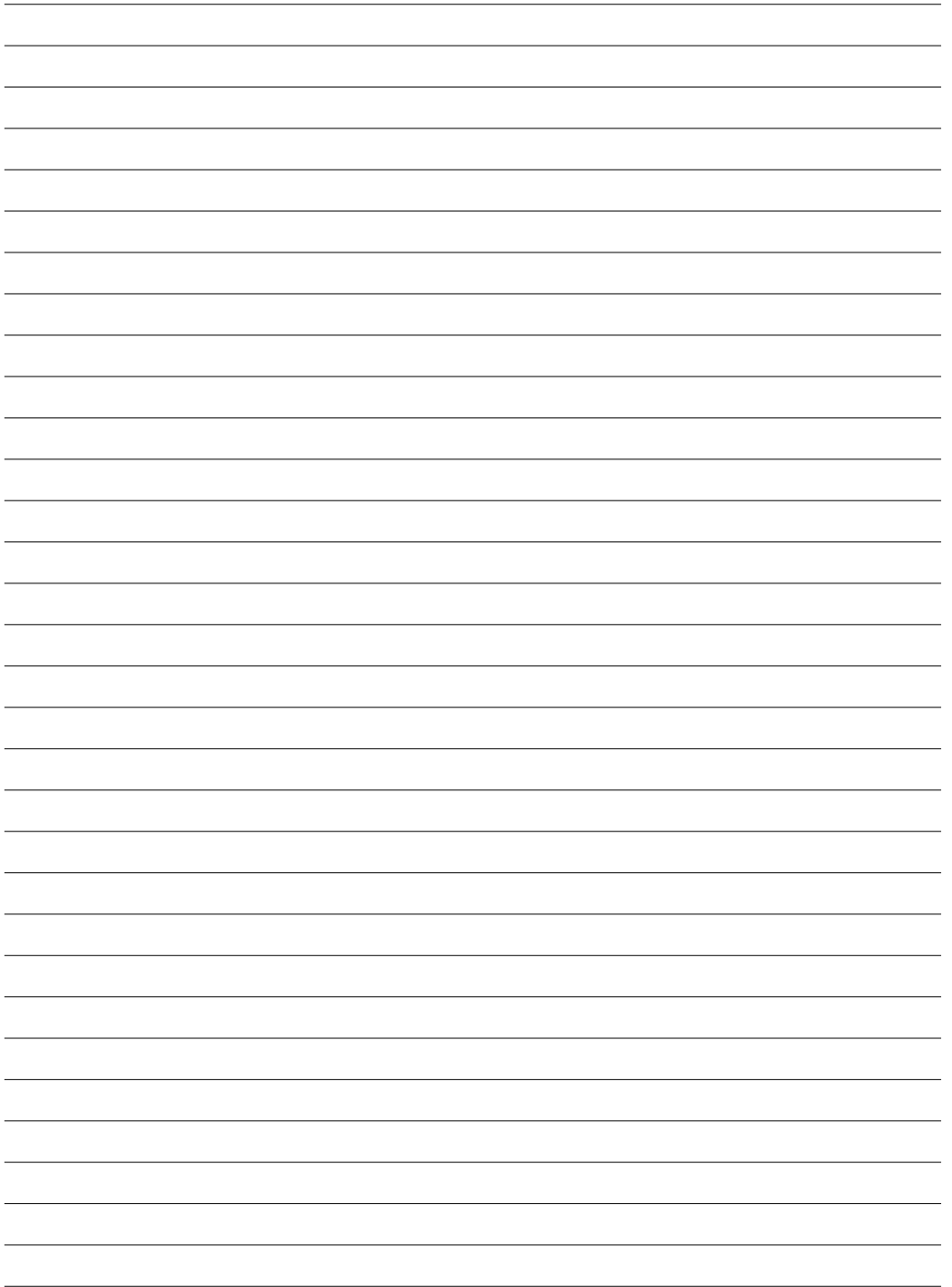
### 4.1 MANUTENZIONE E PULIZIA DEL SISTEMA OTTICO

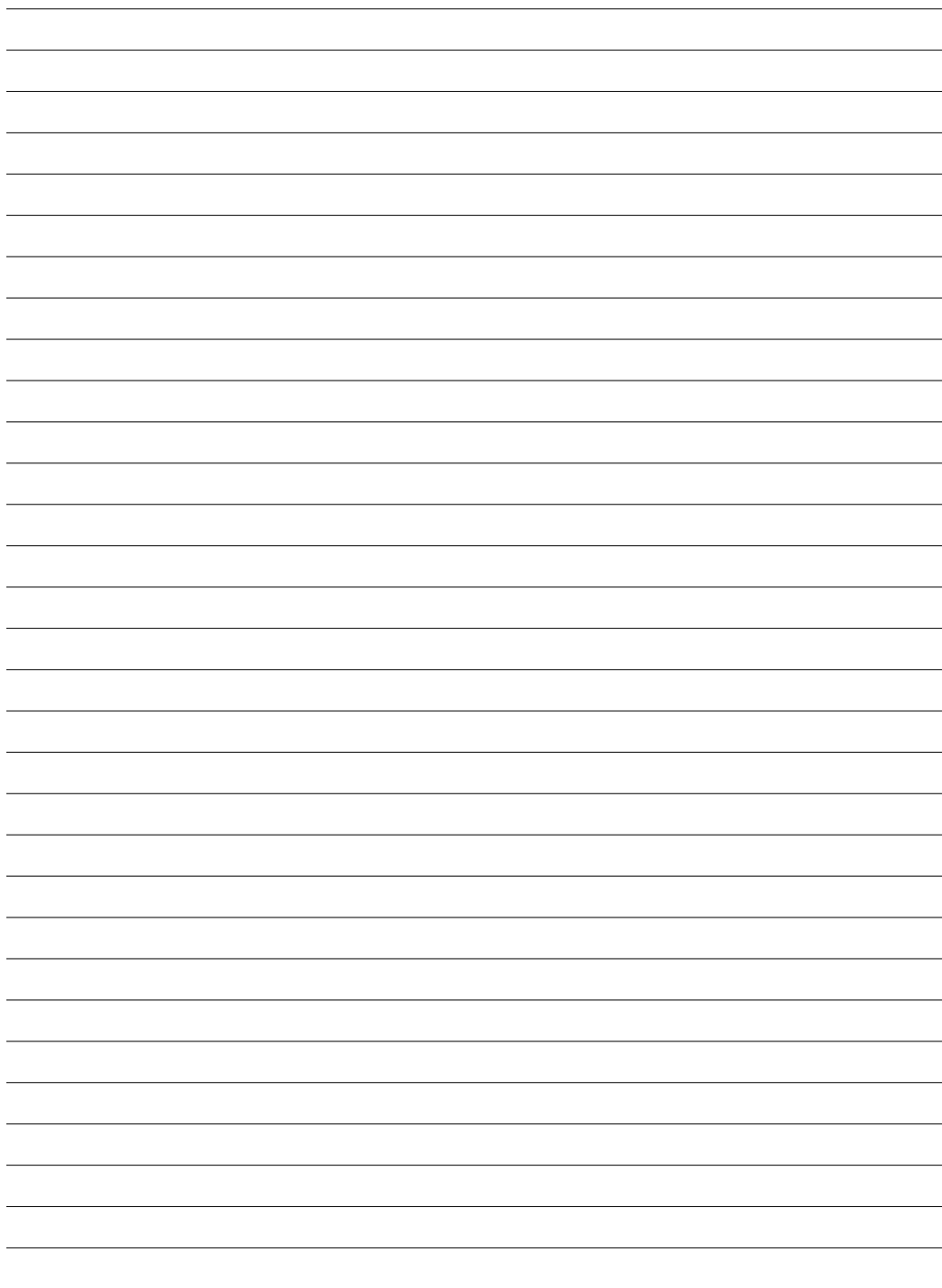
- Durante gli interventi, assicurarsi che l'area sotto il luogo di installazione sia libera da personale non qualificato.
- Spegnerne l'unità, scollegare il cavo di alimentazione ed aspettare finché l'unità non si sia raffreddata.
- Tutte le viti utilizzate per l'installazione dell'unità e le sue parti devono essere assicurate saldamente e non devono essere corrose.
- Alloggiamenti, elementi di fissaggio e di installazione (soffitto, truss, sospensioni) devono essere totalmente esenti da qualsiasi deformazione.
- I cavi di alimentazione devono essere in condizione impeccabile e devono essere sostituiti immediatamente nel momento in cui anche un piccolo problema viene rilevato.
- Si dovrebbe procedere, ad intervalli regolari, alla pulizia della parte frontale per asportare polvere, fumo e altre particelle. Solo così, la luce può essere irradiata con la luminosità massima. Per la pulizia usare un panno morbido, pulito e un detergente per vetri come si trovano in commercio. Quindi asciugare le parti delicatamente.

### 4.2 RISOLUZIONE DEI PROBLEMI

Anomalie	Possibili cause	Controlli e rimedi
Il proiettore non illumina	<ul style="list-style-type: none"> <li>• Mancanza di alimentazione di rete</li> <li>• Dimmer impostato a 0</li> <li>• LED difettoso/i</li> </ul>	<ul style="list-style-type: none"> <li>• Verificare la presenza della tensione alimentazione</li> <li>• Incrementare i valori del canale dimmer</li> <li>• Sostituire scheda LED</li> </ul>
Bassa intensità di luce generale	<ul style="list-style-type: none"> <li>• Lenti sporche</li> <li>• Lente disallineata</li> </ul>	<ul style="list-style-type: none"> <li>• Pulire il dispositivo regolarmente</li> <li>• Installare il gruppo ottico correttamente</li> </ul>
Il proiettore non è alimentato	<ul style="list-style-type: none"> <li>• Mancanza di alimentazione di rete</li> <li>• Cavo di alimentazione danneggiato</li> </ul>	<ul style="list-style-type: none"> <li>• Verificare la presenza della tensione alimentazione</li> <li>• Controllare il cavo di alimentazione</li> </ul>

Rivolgersi a un centro di assistenza tecnico autorizzato nel caso in cui il problema non sia riportato in tabella.





**PROLIGHTS** è un brand di proprietà della Music & Lights S.r.l.      **PROLIGHTS** is a brand of Music & Lights S.r.l. .company.      ©2018 Music & Lights S.r.l.

