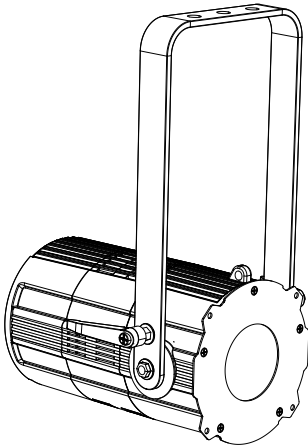
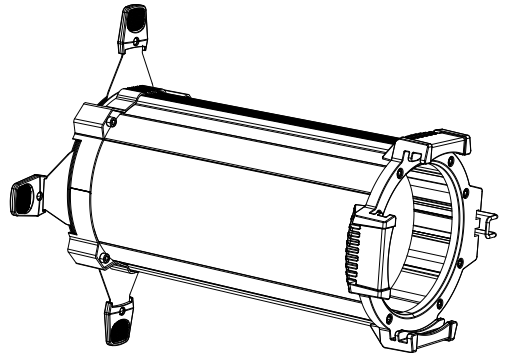


ECLIPSEJZIP

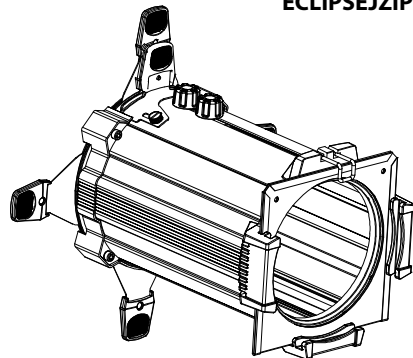
LED PROFILER



ECLIPSEJZIP



ECLIPSEJZIPLZ1530



ECLIPSEJZIPLZ2550

USER MANUAL
MANUALE UTENTE

All rights reserved by Music & Lights S.r.l. No part of this instruction manual may be reproduced in any form or by any means for any commercial use.

In order to improve the quality of products, Music&Lights S.r.l. reserves the right to modify the characteristics stated in this instruction manual at any time and without prior notice.
All revisions and updates are available in the 'manuals' section on site www.musiclights.it

TABLE OF CONTENTS**Safety**

General instructions	2
Warnings and installation precautions	2

1 Introduction

1.1 Description	3
1.2 Technical specifications	3
1.3 Operating elements and connections	5

2 Installation

2.1 Mounting	6
--------------------	---

3 Functions and settings

3.1 Operation	7
3.2 Basic	7
3.3 Menu structure	8
3.4 DMX mode	9
3.5 DMX addressing	9
3.6 DMX linking	10
3.7 Wireless settings	10
3.8 Screen	10
3.9 Advanced	11
3.10 Information	11
3.11 Master / Slave	11
3.12 Effects mode	11
3.13 Static mode	12
3.14 DMX control	12
3.15 Connection of the DMX line	13
3.16 Construction of the DMX termination	13

4 Maintenance

4.1 Maintenance and cleaning the unit	14
4.2 Trouble shooting	14

Packing content

- ECLIPSEJZIP
- Power cable
- User manual




WARNING! Before carrying out any operations with the unit, carefully read this instruction manual and keep it with care for future reference. It contains important information about the installation, usage and maintenance of the unit.



SAFETY

General instruction

- The products referred to in this manual conform to the European Community Directives and are therefore marked with **CE**.
- The unit is supplied with hazardous network voltage (230V~). Leave servicing to skilled personnel only. Never make any modifications on the unit not described in this instruction manual, otherwise you will risk an electric shock.
- Connection must be made to a power supply system fitted with efficient earthing (Class I appliance according to standard EN 60598-1). It is, moreover, recommended to protect the supply lines of the units from indirect contact and/or shorting to earth by using appropriately sized residual current devices.
- The connection to the main network of electric distribution must be carried out by a qualified electrical installer. Check that the main frequency and voltage correspond to those for which the unit is designed as given on the electrical data label.
- This unit is not for home use, only professional applications.
- Never use the fixture under the following conditions:
 - in places subject to vibrations or bumps;
 - in places with a temperature of over 45 °C.
- Make certain that no inflammable liquids, water or metal objects enter the fixture.
- Do not dismantle or modify the fixture.
- All work must always be carried out by qualified technical personnel. Contact the nearest sales point for an inspection or contact the manufacturer directly.
- If the unit is to be put out of operation definitively, take it to a local recycling  plant for a disposal which is not harmful to the environment.

Warnings and installation precautions

- If this device will be operated in any way different to the one described in this manual, it may suffer damage and the guarantee becomes void. Furthermore, any other operation may lead to dangers like short circuit, burns, electric shock, etc.
- Before starting any maintenance work or cleaning the projector, cut off power from the main supply.
- Always additionally secure the projector with the safety rope. When carrying out any work, always comply scrupulously with all the regulations (particularly regarding safety) currently in force in the country in which the fixture's being used.
- Install the fixture in a well ventilated place.
- Keep any inflammable material at a safe distance from the fixture.
- Shields, lenses or ultraviolet screens shall be changed if they have become damaged to such an extent that their effectiveness is impaired.
- The lamp (LED) shall be changed if it has become damaged or thermally deformed.
- Never look directly at the light beam. Please note that fast changes in lighting, e. g. flashing light, may trigger epileptic seizures in photosensitive persons or persons with epilepsy.
- Do not touch the product's housing when operating because it may be very hot.
- This product was designed and built strictly for the use indicated in this documentation. Any other use, not expressly indicated here, could compromise the good condition/operation of the product and/or be a source of danger.
- We decline any liability deriving from improper use of the product.

- 1 - INTRODUCTION

1.1 DESCRIPTION

ECLIPSEJZIP is an IP rated zoomable ellipsoidal designed for exterior application. ECLIPSEJZIP reaches an exceedingly high lumen output of nearly 6'000 lumens, and all in a compact size allowing for use on any outdoor show or for logo and texture projection over buildings. ECLIPSEJZIP can use two different manual zoom lenses (optional) being 15°-30° or 25°-50° and it can be mounted at any distance from the projection surface.

1.2 TECHNICAL SPECIFICATIONS

LIGHT SOURCE

- Source: 160W warm white LED
- CT: 3100K
- CRI: >81
- Luminous flux: (50°) 5274 lm - (25°) 5770 lm; (30°) 4200 lm - (15°) 5012lm
- Lux: (50°) 2040 lux - (25°) 5160 lux; (30°) 3710 lux - (15°) 12900lux @3m
- Lux: (50°) 734 lux - (25°) 1857 lux; (30°) 1336 lux - (15°) 4644lux @5m
- Source life expectancy: >50.000 h

OPTICS

- Beam angle: (optional) manual zoom lens 15°-30° or (optional) manual zoom lens 25°-50°
- Lens diameter: 87mm
- Lens type: high-quality glass lens optics
- Focus: manual

COLOUR SYSTEM

- Macros: several pre-build macros with adjustable speed

DYNAMIC EFFECTS

- Gobo size: M: Ø 66mm, img Ø 48 mm, 2 mm
- Static colour mode: selection of static dimmer
- Manual colour mode: manual adjustment of dimmer and strobe
- Auto mode: built-in programs with execution speed adjustment

BODY

- Hardware on-board: on board mechanics for rigging to the ceiling
- Body: sturdy die-cast aluminium body conceived for long-time durability
- Body colour: black

CONTROL

- Protocols: DMX512, W-DMX
- DMX channels: 1 / 3channel
- W-DMX: included, wireless solution receiver
- RDM: RDM ready for fixture remote monitor and settings
- Display: black OLED high resolution display
- Firmware upgrade: yes, via USB-DMX interface (UPBOX1) not included
- Master/Slave: for synchronized operation of more units linked in a chain
- Other: 16bit control of dimmer

ELECTRONICS

- Dimmer: linear 0~100% electronic dimmer
- Dimmer curves: 4 different dimming curves available
- Strobe / shutter: 1 - 30 Hz, electronic
- Operating temperature: -20° ~ +45°
- Flicker: flicker free operation
- Selectable PWM: 600~25K Hz

ELECTRICAL

- Power consumption: 136 W
- Power supply: 100-240V – 50/60Hz
- Power consumption (at 230V): 136W
- Power consumption (at 120V): 138.6W
- Power factor: pF 0.98 @ 120V - pF 0.97 @ 230V

PHYSICAL

- Cooling: forced air with low noise fan
- Suspension and fixing: hanging bracket suitable for safe hanging and positioning
- Signal connection: Seetronic XLR 5p IN/OUT connectors
- Power connection: Seetronic powerCON waterproof IN/OUT connectors
- IP rating: 65 for temporary outdoor application, not for fixed installation
- Dimensions with ECLIPSEJZIPLZ2550 (WxHxD): 537x310x489mm
- Dimensions with ECLIPSEJZIPLZ1530 (WxHxD): 619x310x489mm
- Weight: 7.9kg

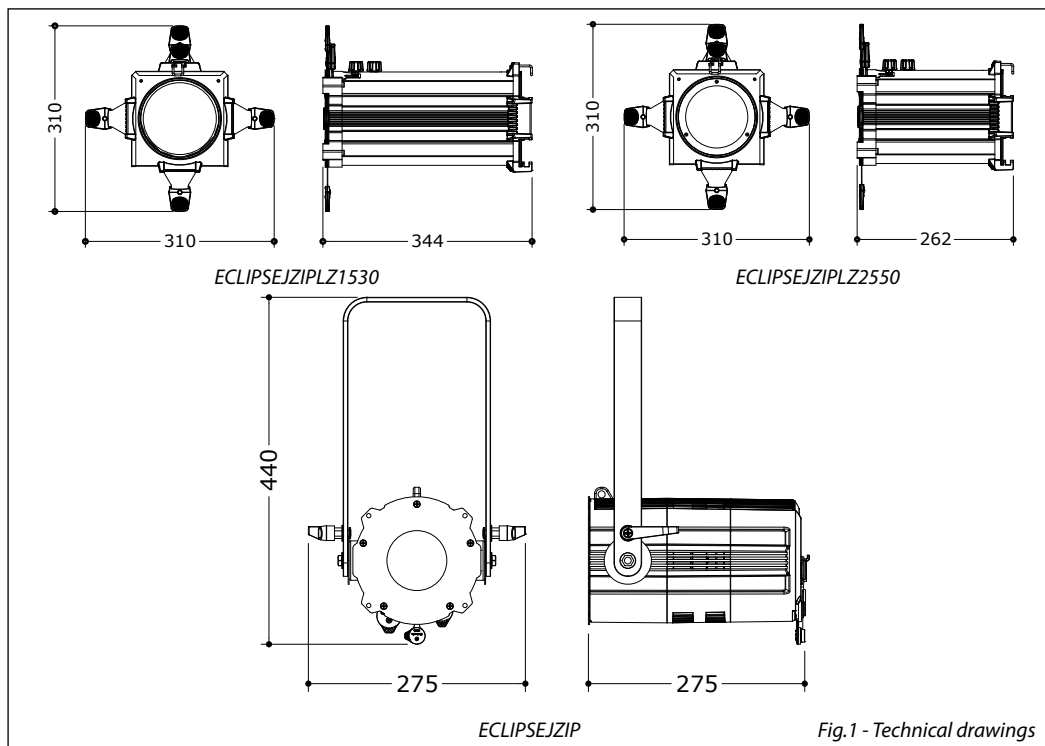
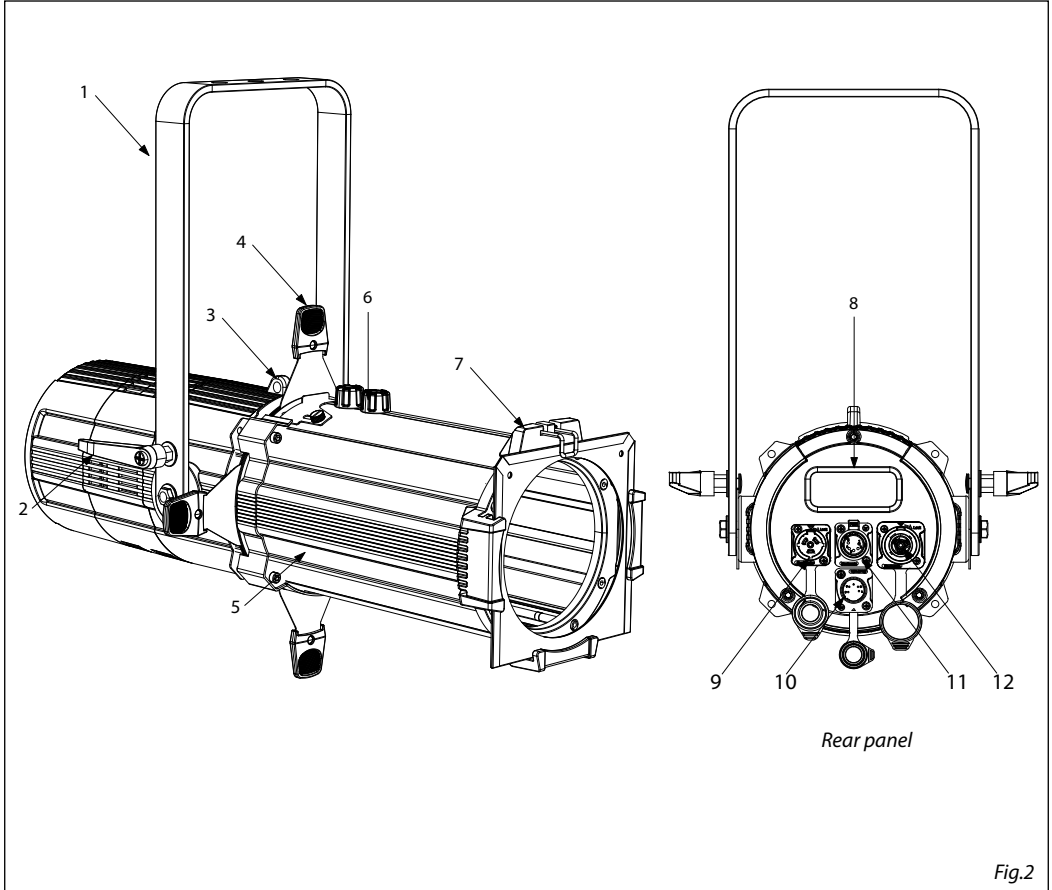


Fig.1 - Technical drawings

1.3 OPERATING ELEMENTS AND CONNECTIONS



1. MOUNTING BRACKET
2. LOCKING KNOB for the mounting bracket
3. SAFETY EYE to attach safety cable
4. SHUTTER (x4)
5. OPTICS
6. FOCUS KNOB
7. GEL FRAME HOLDER
8. CONTROL PANEL with display and 4 button used to access the control panel functions and manage them.
9. POWER IN (PowerCON TRUE IN): for connection to a socket 100-240V~/50-60Hz via the supplied mains cable.
10. DMX IN (5-pole XLR): 1 = ground, 2 = DMX-, 3 = DMX+, 4 N/C, 5 N/C.
11. DMX OUT (5-pole XLR): 1 = ground, 2 = DMX-, 3 = DMX+, 4 N/C, 5 N/C.
12. POWER OUT (PowerCON TRUE OUT): power output for connection of multiple units in series.

- 2 - INSTALLATION

2.1 MOUNTING

ECLIPSEJZIP may be set up on a solid and even surface. The unit can also be mounted upside down to a cross arm. For fixing, stable mounting clips are required. The mounting place must be of sufficient stability and be able to support a weight of 10 times of the unit's weight.

When carrying out any installation, always comply scrupulously with all the regulations (particularly regarding safety) currently in force in the country in which the fixture's being used.

- Install the projector at a suitable location by means of the mounting bracket (1).
- Always additionally secure the projector with the safety rope from falling down. For this purpose, fasten the safety rope at a suitable position so that the maximum fall of the projector will be 20 cm.
- Adjust the projector and use the knob (2) to slightly release or tighten the locking mechanism of the bracket if is necessary.

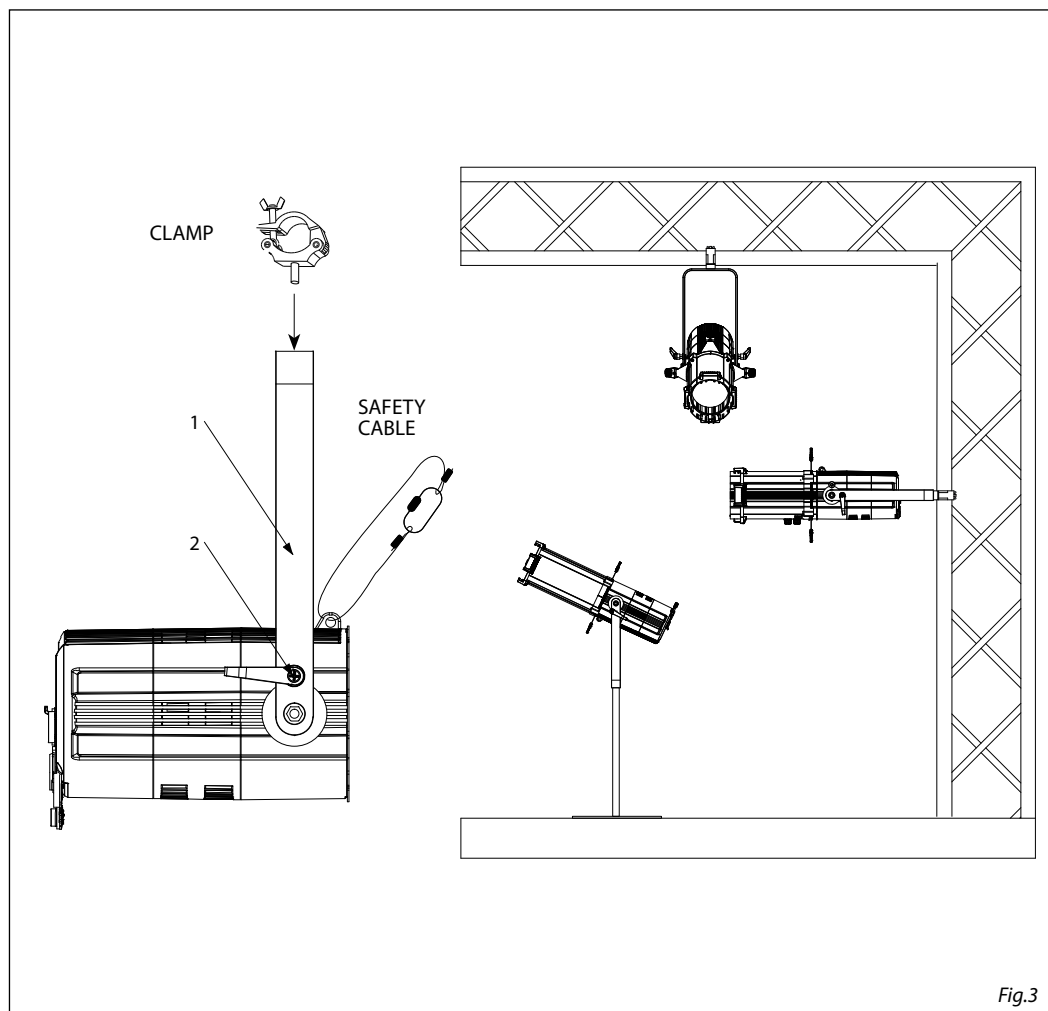


Fig.3

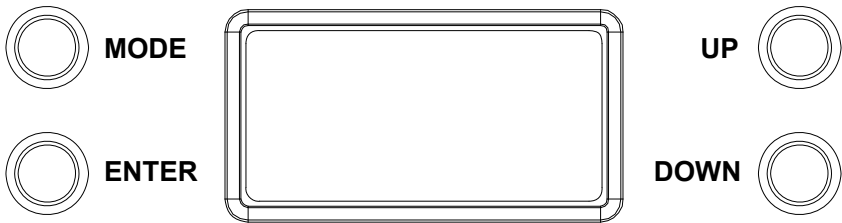
- 3 - FUNCTIONS AND SETTINGS

3.1 OPERATION

Connect the supplied main cable to a socket (100-240 VAC-50/60 Hz). Then the unit is ready for operation and can be operated via a DMX controller. To switch off, disconnect the mains plug from the socket. For a more convenient operation it is recommended to connect the unit to a socket which can be switched on and off via a light switch.

3.2 BASIC

Access control panel functions using the four panel buttons located directly underneath the OLED Display (fig.4).



MODE	UP	DOWN	ENTER
Used to access the menu or to return a previous menu option	Navigates downwards through the menu list and increases the numeric value when in a function	Navigates upwards through the menu list and decreases the numeric value when in a function	Used to select and store the current menu or confirm the current function value or option within a menu

Fig.4 - Functions of the buttons

3.3 MENU STRUCTURE

MENU						
1	CONNECT	⇒ DMX Address	⇒ Value (1-512)			
			⇒ DMX Mode	⇒ 1Ch 3Ch		
		⇒ Wireless Setting	⇒	Receive Off/On	⇒ Off On	
				Receive Reset	⇒ No Yes	
				Wireless To DMX	⇒ No Yes	
2	SETUP	⇒ Screen	⇒ Back Light	⇒ On 10s 20s 30s		
				⇒ Flip Display	⇒ No Yes	
			⇒ Key Lock	⇒ No Yes		
3	ADVANCED	⇒ Dimmer Mode	⇒ Off Dimmer1 Dimmer2 Dimmer3			
			⇒ LED Frequency	⇒ 600Hz 1200Hz 2000Hz 4000Hz 6000Hz 25kHz		
		⇒ Fan Mode	⇒ Auto On Silent			
		⇒ Factory Reload	⇒ No Yes			
4	INFORMATION	⇒ Fixture Hours	⇒ <9999H>			
		⇒ Version	⇒ <V1.0>			
		⇒ UID	⇒ 15D00227****			
5	STAND ALONE	⇒ Master/Slave				
		⇒ Effects	⇒ Effect 1 Effect 2 Effect 3 Effect 4	⇒ <1-100>		
		⇒ Static	⇒ Dimmer Strobe	⇒ <000-255>		

3.4 DMX MODE

- Press on MODE and select **Connect** and press on ENTER to confirm.
 - Press on UP/DOWN to select **DMX Mode**, then choose the desired DMX mode: **1 Ch** or **3Ch**. Press on ENTER to store.
 - Press on MODE to go back or to meet the waiting time to exit the setup menu.
- The tables on page 12 indicate the operating mode and DMX value.

3.5 DMX ADDRESSING

- Press on MODE and select **Connect** and press on ENTER to confirm.
- Press on UP/DOWN to select **Dmx Address**, then choose the desired DMX address: **001 - 512**. Press and hold to scroll quickly.
- Press on ENTER button to store.
- Press on MODE button to go back or to meet the waiting time to exit the setup menu.

To able to operate the ECLIPSEJZIP with a light controller, adjust the DMX start address for the first a DMX channel. If e. g. address 33 on the controller is provided for controlling the function of the first DMX channel, adjust the start address 33 on the ECLIPSEJZIP. The other functions of the light effect panel are then automatically assigned to the following addresses.

An example with the start address 33 is shown below:

Number of DMX channels	Start address (example)	DMX Address occupied	Next possible start address for unit No. 1	Next possible start address for unit No. 2	Next possible start address for unit No. 3
1	33	33	34	35	36
3	33	33-35	36	39	42

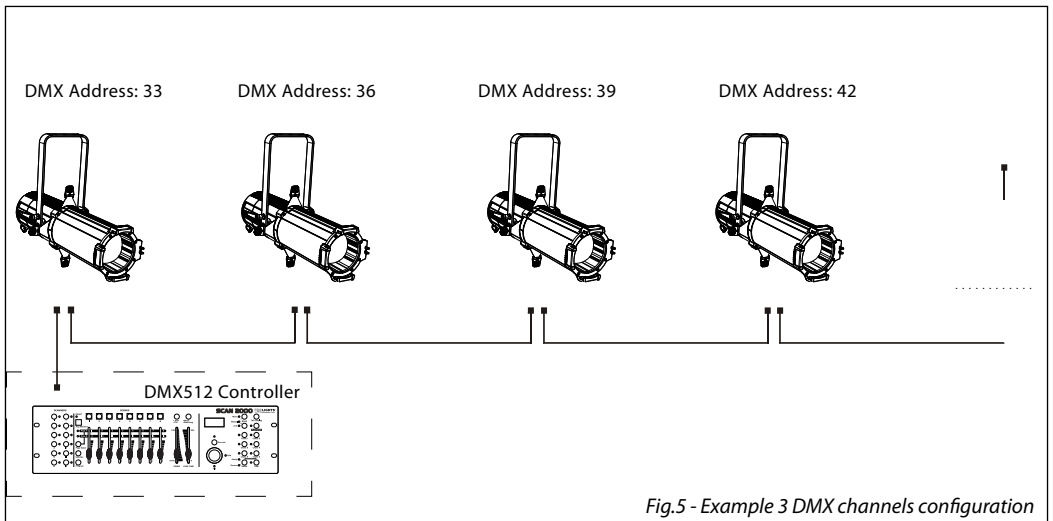


Fig.5 - Example 3 DMX channels configuration

3.6 LINKING

1. Connect the DMX OUT of the master unit via 5-pole XLR cable to the DMX IN of the first slave unit.
2. Connect the DMX OUT of the first slave unit to the DMX IN of the second slave unit, etc. until all units are connected in a chain.

3.7 WIRELESS SETTINGS

- To enter the Wireless mode press on MODE and select **Connect**, then select **Wireless Setting** using ENTER.
- Select the **Receive On/Off** function pressing on UP/DOWN, then press on ENTER.
- To activate the **Receive** function, pressing on UP/DOWN and select the **On** option.
- Press on ENTER to confirm the selection.
- Press on MODE to go back or wait a few seconds to exit the setup menu.

NOTE - Once you have performed these steps, you must synchronize with any WiFi unit with which you want to communicate by pressing the sync button on it. At this point connect the DMX console to the WiFi unit to open the communication with the ECLIPSEJZIP.

- To reset the unit, select the **Receive Reset** function pressing on UP/DOWN, select **Connect**, then select **Receive Reset** and press on ENTER.
- To activate the mode use UP / DOWN and select the **Yes** option.
- Press the ENTER button to confirm the selection.
- Press on MODE button to go back or wait a few seconds to exit the setup menu.
- To activate the **Wireless to DMX** function, use UP / DOWN to press on ENTER until the display shows **Connect**, then select **Wireless to DMX**, then press on ENTER.
- To activate the mode use the UP/DOWN buttons and select the **Yes** option.
- Press on ENTER to confirm the selection.
- Press on MODE to go back or wait a few seconds to exit the setup menu.

3.8 SCREEN

It is possible to modify the following parameters, related to the display, following the same procedure:

- Press on MODE to access the main menu.
- Press on UP/DOWN to scroll through the menu, select **Set Up**, then press on ENTER to access the next menu.
- Press on UP/DOWN to select **Screen** and press on ENTER to proceed.
- Select the proposed option with the UP/DOWN button and press the ENTER button to confirm.
 - **Backlight** - Auto Off display backlight. This function allows you to switch off automatically the backlighting of the display after a certain time which can be set using the UP/DOWN. To have the display always on select **On** or set a value between those shown (**10s, 20s, 30s**) to turn off the display once the chosen time has elapsed, after exiting the menu.
 - **Flip Display** - Display orientation. This feature allows you to rotate the display by 180 ° to get a better view of the display when the unit is hanging upside down. Select **Yes** to activate the function or **No** to deactivate.
 - **Key lock** - With this function, you can lock the keys on the control panel to prevent, for example, tampering with the settings. If this function is activated, the keys are locked automatically. To disable or temporarily disable or disable the key lock function, press the keys in the following order to regain access to the menu commands: UP, DOWN, UP, DOWN, ENTER. Select **Yes** to activate the function or **No** to deactivate it.
- Press on ENTER to confirm the selection.
- Press on MODE repeatedly to exit the menu and to save the changes made.

3.9 ADVANCED

You can change the parameters for the device by following these steps:

- Press on MODE to enter the menu mode.
- Press on UP/DOWN to select **Advanced**. Press the button ENTER to confirm.
- Press on UP/DOWN to select the desired option and press on ENTER to confirm:
 - **Dimmer Mode** - Adjusting the dimmer. Enter in **Dimmer Mode** to select specific dimming curve. Particularly when set:
 - **Off**: The increase in light intensity is linear.
 - **Dimmer 1**: dimmer curve with low fade.
 - **Dimmer 2**: dimmer curve with medium fade.
 - **Dimmer 3**: dimmer curve with high fade.
 - **LED Frequency** - To adjust the frequency of the LEDs. Select the frequency **600 Hz - 25 KHz** using the UP/DOWN and press on ENTER to confirm the selection.
 - **Fan Mode** - Fan speed. Select the desired fan speed **Auto, On, Silent**, through UP/ DOWN.
 - **Factory Reload** - To reset the unit. Select **Yes** or **No** and select ENTER to confirm.
- Press repeatedly on MODE to return the menu mode.

3.10 INFORMATION

To view all the information on the device, proceed as follows:

- Press on MODE to access the main menu. Press on UP/DOWN to select **Information**, then press on ENTER to access the next menu.
- Press on UP/DOWN to scroll through the menu, then select one of the following information and press on ENTER to display it.- **Fixture Time** - Through the Fixture Time function, the operating time of the projector can be shown on the display.
 - **Fixture Time** - To view the operating time of the projector.
 - **Software Version** - To view the firmware version will show on the display.
 - **UID** - To view the identification ID for the RDM control.
- Press repeatedly on MODE to return the menu mode.

3.11 MASTER/SLAVE MODE

This mode will allow you to link up the units together without a controller. Choose a unit to function as the Master. The unit must be the first unit in line; other units will work as slave.

- Press on MODE button so many times until the display shows **Stand Alone**, then press on ENTER.
- Select **Master/Slave**, then press ENTER.
- Using UP/DOWN, select the desired mode and then press ENTER.
- Press on MODE to go back or to meet the waiting time to exit the setup menu
- Use standard DMX cables to daisy chain your units together via the DMX connector on the rear of the units. For longer cable runs we suggest a terminator at the last fixture (see page 15).
- Set the slaves to the same DMX modes.

NOTE: the unit, set in Static or Effect mode, always appears to be Master.

3.12 EFFECTS MODE

This fixture has a built-in automatic program. To access this, please see the below instructions:

- To enter the **Effects** mode, press MODE to access the menu, using UP/DOWN select **Stand Alone**, then press ENTER to confirm.
- Use UP/DOWN to select the desired program **Effect 1, Effect 2, Effect 3, Effect 4**, then press ENTER to confirm.
- Set the value (**1 - 100**), through UP/DOWN, then press ENTER to confirm.

3.13 STATIC MODE

This fixture has the ability to accept custom static color settings. Access these chases via the control panel on the back of the fixture.

- To enable the static mode, press **MODE** repeatedly until **Stand Alone** shows on the display.
- Set the strobo value **Strobe (000 - 255)**, through the buttons **UP/DOWN**, then press **ENTER** to confirm.
- Set the dimmer value **Dimmer (000 - 255)**, through the buttons **UP/DOWN**, then press **ENTER** to confirm.

3.14 DMX CONTROL

1 CHANNEL

MODE 1 Ch	FUNCTION	DMX Value
1	DIMMER 0~100%	000 - 255

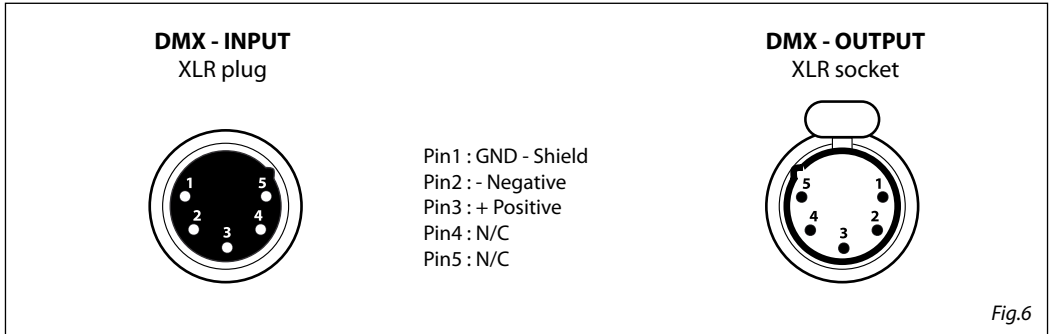
3 CHANNELS

MODE 3 Ch	FUNCTION	DMX Value
1	DIMMER 0~100%	000 - 255
2	STROBE No Function Strobe Slow to Fast	000 - 010 011 - 255
3	Dimmer Speed Mode Preset dimmer speed from display menu Dimmer speed mode off Dimmer speed mode 1 (fast speed) Dimmer speed mode 2 (middle speed) Dimmer speed mode 3 (slow speed)	000 - 051 052 - 101 102 - 152 153 - 203 204 - 255

3.15 CONNECTION OF THE DMX LINE

DMX connection employs standard XLR connectors. Use shielded pair-twisted cables with 120Ω impedance and low capacity.

The following diagram shows the connection mode:



ATTENTION

The screened parts of the cable (sleeve) must never be connected to the system's earth, as this would cause faulty fixture and controller operation.

Over long runs can be necessary to insert a DMX level matching amplifier.

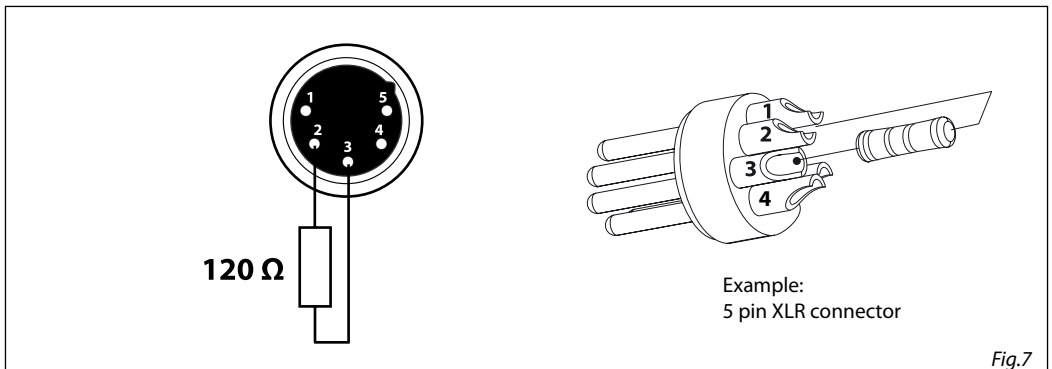
For those connections the use of balanced microphone cable is not recommended because it cannot transmit control DMX data reliably.

- Connect the controller DMX input to the DMX output of the first unit.
- Connect the DMX output to the DMX input of the following unit. Connect again the output to the input of the following unit until all the units are connected in chain.
- When the signal cable has to run longer distance is recommended to insert a DMX termination on the last unit.

3.16 CONSTRUCTION OF THE DMX TERMINATION

The termination avoids the risk of DMX 512 signals being reflected back along the cable when they reach the end of the line: under certain conditions and with certain cable lengths, this could cause them to cancel the original signals.

The termination is prepared by soldering a 120Ω 1/4 W resistor between pins 2 and 3 of the 5-pin male XLR connector, as shown in figure.



- 4 - MAINTENANCE

4.1 MAINTENANCE AND CLEANING THE UNIT

- Make sure the area below the installation place is free from unwanted persons during setup.
- Switch off the unit, unplug the main cable and wait until the unit has cooled down.
- All screws used for installing the device and any of its parts should be tightly fastened and should not be corroded.
- Housings, fixations and installation spots (ceiling, trusses, suspensions) should be totally free from any deformation.
- The main cables must be in impeccable condition and should be replaced immediately even when a small problem is detected.
- It is recommended to clean the front at regular intervals, from impurities caused by dust, smoke, or other particles to ensure that the light is radiated at maximum brightness. For cleaning, disconnect the main plug from the socket. Use a soft, clean cloth moistened with a mild detergent. Then carefully wipe the part dry. For cleaning other housing parts use only a soft, clean cloth. Never use a liquid, it might penetrate the unit and cause damage to it.

4.2 TROUBLESHOOTING

Problems	Possible causes	Checks and remedies
Fixture does not light up	<ul style="list-style-type: none"> • No mains supply • Dimmer fader set to 0 • All color faders set to 0 • Faulty LED • Faulty LED board 	<ul style="list-style-type: none"> • Check the power supply voltage • Increase the value of the dimmer channels • Increase the value of the color channels • Replace the LED board • Replace the LED board
General low light intensity	<ul style="list-style-type: none"> • Dirty lens assembly • Misaligned lens assembly 	<ul style="list-style-type: none"> • Clean the fixture regularly • Install lens assembly properly
Fixture does not power up	<ul style="list-style-type: none"> • No power • Loose or damaged power cord • Faulty internal power supply 	<ul style="list-style-type: none"> • Check for power on power outlet • Check power cord • Replace internal power supply
Fixture does not respond to DMX	<ul style="list-style-type: none"> • Wrong DMX addressing • Damaged DMX cables • Bouncing signals 	<ul style="list-style-type: none"> • Check control panel and unit addressing • Check DMX cables • Install terminator as suggested

Contact an authorized service center in case of technical problems or not reported in the table can not be resolved by the procedure given in the table.

Music & Lights S.r.l. si riserva ogni diritto di elaborazione in qualsiasi forma delle presenti istruzioni per l'uso.
La riproduzione - anche parziale - per propri scopi commerciali è vietata.

Al fine di migliorare la qualità dei prodotti, la Music&Lights S.r.l. si riserva la facoltà di modificare, in qualunque momento e senza preavviso, le specifiche menzionate nel presente manuale di istruzioni.
Tutte le revisioni e gli aggiornamenti sono disponibili nella sezione 'Manuali' sul sito www.musiclights.it

INDICE	Sicurezza	
	Avvertenze generali	4
	Attenzioni e precauzioni per l'installazione	4
	1 Introduzione	
	1.1 Descrizione	5
	1.2 Specifiche tecniche	5
	1.3 Elementi di comando e di collegamento	7
	2 Installazione	
	2.1 Montaggio	8
	3 Funzioni e impostazioni	
	3.1 Funzionamento	9
	3.2 Impostazione base	9
	3.3 Struttura menu	10
	3.4 Modalità DMX	11
	3.5 Indirizzamento DMX	11
	3.6 Collegamento	12
	3.7 Impostazioni Wireless	12
	3.8 Screen	12
	3.9 Advanced	13
	3.10 Informazioni sul dispositivo	13
	3.11 Master/Slave	13
	3.12 Modalità Effects	13
	3.13 Modalità Static	14
	3.14 Canali DMX	14
	3.15 Collegamenti della linea DMX	15
	3.16 Costruzione del terminatore DMX	15
	4 Manutenzione	16
	4.1 Manutenzione e pulizia del sistema ottico	16
	4.2 Risoluzione dei problemi	

Contenuto dell'imballo:	<ul style="list-style-type: none"> • ECLIPSEJZIP • Cavo di alimentazione • Manuale utente
--------------------------------	--




ATTENZIONE! Prima di effettuare qualsiasi operazione con l'unità, leggere con attenzione questo manuale e conservarlo accuratamente per riferimenti futuri. Contiene informazioni importanti riguardo l'installazione, l'uso e la manutenzione dell'unità.



SICUREZZA

Avvertenze generali

- I prodotti a cui questo manuale si riferisce sono conformi alle Direttive della Comunità Europea e pertanto recano la sigla **CE**.
- Il dispositivo funziona con pericolosa tensione di rete 230V~. Non intervenire mai al suo interno al di fuori delle operazioni descritte nel presente manuale; esiste il pericolo di una scarica elettrica.
- È obbligatorio effettuare il collegamento ad un impianto di alimentazione dotato di un'efficiente messa a terra (apparecchio di Classe I secondo norma EN 60598-1). Si raccomanda, inoltre, di proteggere le linee di alimentazione delle unità dai contatti indiretti e/o cortocircuiti verso massa tramite l'uso di interruttori differenziali opportunamente dimensionati.
- Le operazioni di collegamento alla rete di distribuzione dell'energia elettrica devono essere effettuate da un installatore elettrico qualificato. Verificare che frequenza e tensione della rete corrispondono alla frequenza ed alla tensione per cui l'unità è predisposta, indicate sulla targhetta dei dati elettrici.
- L'unità non è per uso domestico, solo per uso professionale.
- Evitare di utilizzare l'unità:
 - in luoghi soggetti a vibrazioni, o a possibili urti;
 - in luoghi a temperatura superiore ai 45°C.
- Evitare che nell'unità penetrino liquidi infiammabili, acqua o oggetti metallici.
- Non smontare e non apportare modifiche all'unità.
- Tutti gli interventi devono essere sempre e solo effettuati da personale tecnico qualificato. Rivolgersi al più vicino centro di assistenza tecnica autorizzato.
- Se si desidera eliminare il dispositivo definitivamente, consegnarlo  per lo smaltimento ad un'istituzione locale per il riciclaggio.

Attenzioni e precauzioni per l'installazione

- Se il dispositivo dovesse trovarsi ad operare in condizioni differenti da quelle descritte nel presente manuale, potrebbero verificarsi dei danni; in tal caso la garanzia verrebbe a decadere. Inoltre, ogni altra operazione potrebbe provocare cortocircuiti, incendi, scosse elettriche, rotture etc.
- Prima di iniziare qualsiasi operazione di manutenzione o pulizia sull'unità togliere la tensione dalla rete di alimentazione.
- È assolutamente necessario proteggere l'unità per mezzo di una fune di sicurezza. Nell'eseguire qualsiasi intervento attenersi scrupolosamente a tutte le normative (in materia di sicurezza) vigenti nel paese di utilizzo.
- Installare l'unità in un luogo ben ventilato.
- Mantenere i materiali infiammabili ad una distanza di sicurezza dall'unità.
- I filtri, le lenti o gli schermi ultravioletti se danneggiati possono limitare la loro efficienza.
- I LED devono essere sostituiti se danneggiati o termicamente deformati.
- Non guardare direttamente il fascio luminoso. Tenete presente che i veloci cambi di luce possono provocare attacchi d'epilessia presso persone fotosensibili o epilettiche.
- Non toccare l'alloggiamento del prodotto quando è in funzione perché potrebbe essere molto caldo.
- Questo prodotto è stato progettato e costruito esclusivamente per l'utilizzo indicato in questa documentazione. Qualsiasi altro utilizzo non espressamente indicato potrebbe pregiudicare la funzionalità del prodotto e/o rappresentare fonte di pericolo.
- Si declina qualsiasi responsabilità derivata dall'uso improprio del prodotto.

- 1 - INTRODUZIONE

1.1 DESCRIZIONE

ECLIPSEJZIP is an IP rated zoomable ellipsoidal designed for exterior application. ECLIPSEJZIP reaches an exceedingly high lumen output of nearly 6'000 lumens, and all in a compact size allowing for use on any outdoor show or for logo and texture projection over buildings. ECLIPSEJZIP can use two different manual zoom lenses (optional) being 15°-30° or 25°-50° and it can be mounted at any distance from the projection surface.

1.2 SPECIFICHE TECNICHE

SORGENTE LUMINOSA

- Sorgente: 160W bianco caldo LED
- CT: 3100K
- CRI: >81
- Flusso luminoso: (50°) 5274 lm - (25°) 5770 lm; (30°) 4200 lm - (15°) 5012lm
- Lux: (50°) 2040 lux - (25°) 5160 lux; (30°) 3710 lux - (15°) 12900lux @3m
- Lux: (50°) 734 lux - (25°) 1857 lux; (30°) 1336 lux - (15°) 4644lux @5m
- Durata media sorgente: >50.000 h

OTTICA

- Angolo di proiezione: (optional) manual zoom lens 15°-30° or (optional) manual zoom lens 25°-50°
- Diametro: 87mm
- Tipo lente: gruppo ottico composto da lente in vetro HQ
- Focus: manuale

SISTEMA COLORE

- Macros: macro con controllo di velocità e intensità incorporate

EFFETTI DINAMICI

- Dimensioni gobos: M: Ø 66mm, img Ø 48 mm, 2 mm
- Modalità colore statico: selezione statica del dimmer
- Modalità colore manuale: regolazione manuale dimmer e strobo
- Auto mode: programmi integrati con regolazione della velocità di esecuzione

CORPO

- Hardware a bordo: meccanica integrata per il montaggio modulare di più unità
- Corpo: corpo in alluminio pressofuso ad alta resistenza
- Colore: nero

CONTROLLO

- Protocolli: DMX512, W-DMX
- Canali DMX: 1 / 3channel
- W-DMX: integrato, ricevitore ad antenna (2.4 GHz) by Wireless Solution Sweden
- RDM: RDM ready per controllo e impostazioni remote della fixture
- Display: display black OLED ad alta risoluzione
- Aggiornamento firmware: si, con interfaccia USB-DMX (UPBOX1) non inclusa
- Master/Slave: per il controllo di più unità collegate in catena
- Altro: 16bit control of dimmer

ELETTRONICA

- Dimmer: 0~100% lineare, elettronico
- Curve dimmer: 4 curve dimmer regolabili
- Strobo / shutter: 1 - 30 Hz, elettronico
- Temperatura d'esercizio: -20° ~ +45°
- Flicker: funzionamento senza sfarfallio
- PWM selezionabile: 600~25K Hz

ALIMENTAZIONE

- Potenza assorbita: 136 W
- Alimentazione elettrica: 100-240V – 50/60Hz
- Potenza assorbita (a 230V): 136W
- Potenza assorbita (a 120V): 138.6W
- Fattore di potenza: pF 0.98 @ 120V - pF 0.97 @ 230V

CARATTERISTICHE FISICHE

- Raffreddamento: aria filtrata forzata con ventole silenziose
- Sospensione e fissaggio: staffa per il fissaggio in sospensione e per il posizionamento del proiettore con qualsiasi orientamento
- Connessione di segnale:
- Connessione di alimentazione: Seetronic powerKon waterproof IN/OUT connectors
- Grado IP: 65 per installazioni esterne temporanee, non fisse
- Dimensioni con ECLIPSEJZIPLZ2550 (WxHxD): 537x310x489mm
- Dimensioni con ECLIPSEJZIPLZ1530 (WxHxD): 619x310x489mm
- Peso: 7.9kg

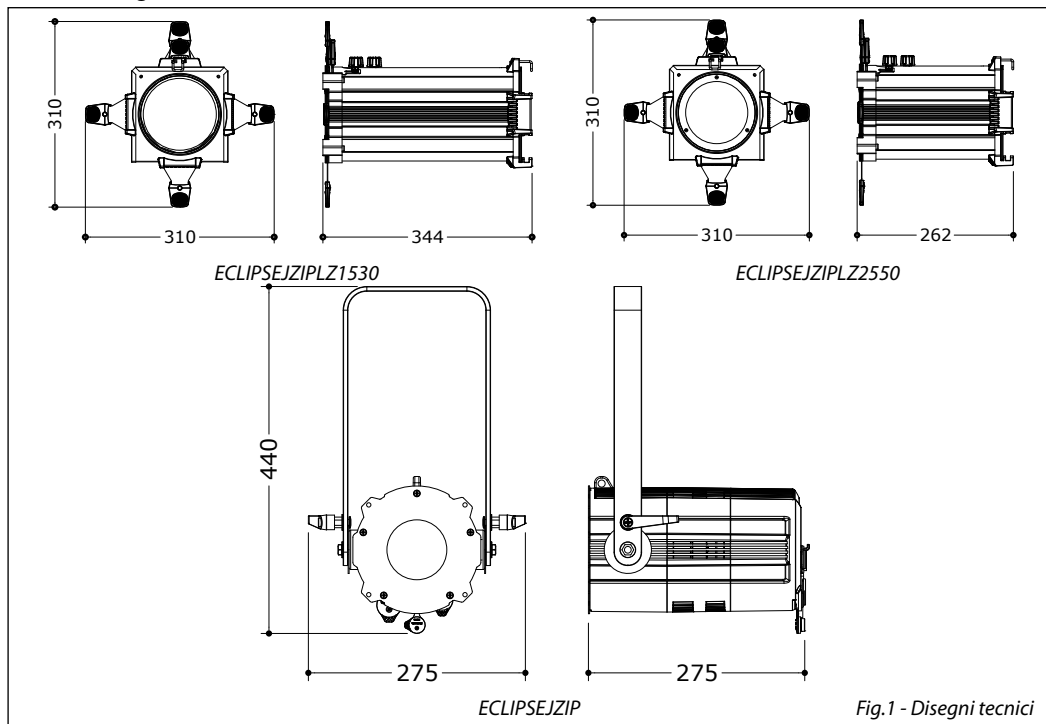


Fig.1 - Disegni tecnici

1.3 ELEMENTI DI COMANDO E COLLEGAMENTI

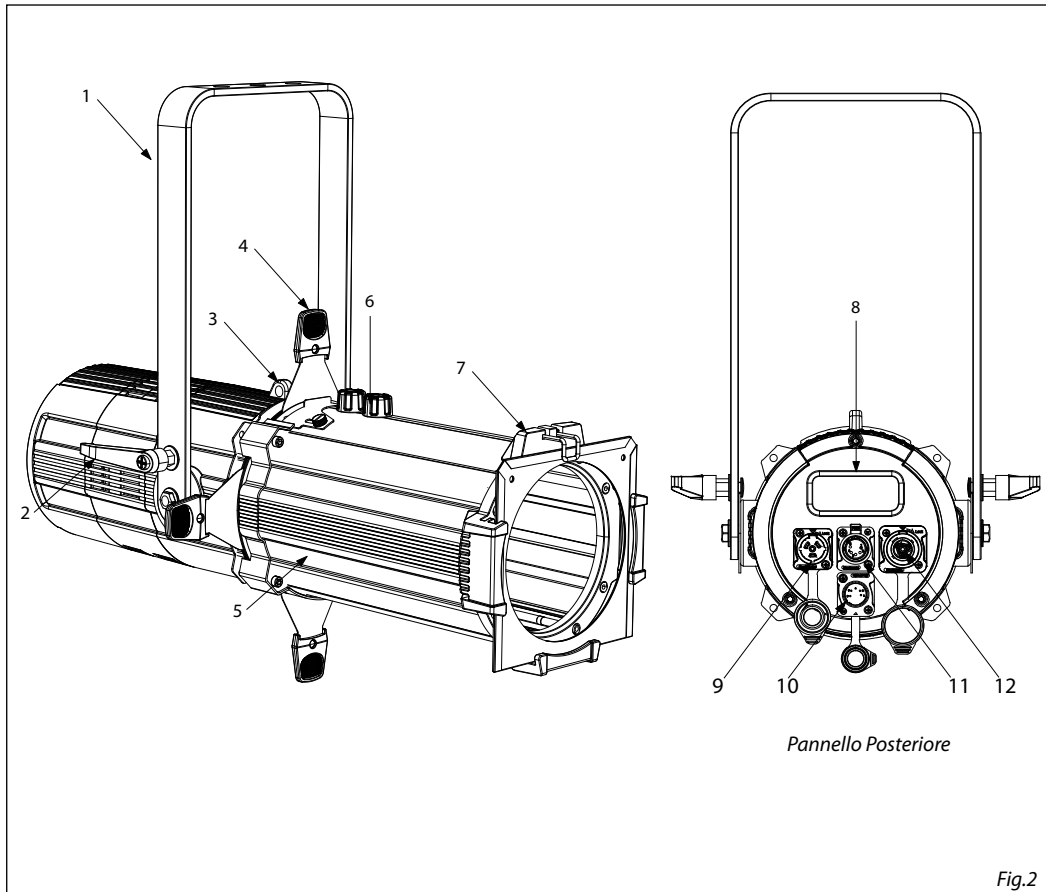


Fig.2

1. STAFFA DI MONTAGGIO
2. MANOPOLA DI FISSAGGIO per la staffa di montaggio.
3. SAFETY EYE per l'aggancio al cavo di sicurezza.
4. OTTURATORE
5. OTTICA
6. MANOPOLA PER IL FOCUS
7. TELAIO PORTA GELATINE
8. PANNELLO DI CONTROLLO con display e 4 pulsanti per accesso e gestione delle diverse funzioni.
9. POWER IN (PowerCON TRUE IN): per il collegamento ad una presa di rete (100-240V~/50-60Hz) tramite il cavo rete in dotazione.
10. DMX IN (XLR a 5 poli): 1 = massa, 2 = DMX -, 3 = DMX +, 4 N/C, 5 N/C.
11. DMX OUT (XLR a 5 poli): 1= massa, 2 = DMX -, 3 = DMX +, 4 N/C, 5 N/C.
12. POWER OUT (PowerCON TRUE OUT): output alimentazione per connessione di più unità in serie.

- 2 - INSTALLAZIONE

2.1 MONTAGGIO

L'ECLIPSEJZIP può essere collocato su un piano solido. Inoltre, grazie alle possibilità di fissaggio sulla staffa (fig.3), l'unità può essere montata anche a testa in giù, su una traversa. Per il fissaggio occorrono dei supporti robusti per il montaggio. L'area di collocazione deve avere una stabilità sufficiente e supportare almeno 10 volte il peso dell'unità.

Inoltre assicurarsi di rispettare tutte le avvertenze in materia di sicurezza.

- Fissare il proiettore attraverso l'apposita staffa (1) ad una collocazione idonea.
- È assolutamente necessario assicurare il proiettore contro la caduta utilizzando un cavo di sicurezza: in particolare collegare il cavo in un punto adatto in modo che la caduta del proiettore non possa superare i 20 cm.
- Orientare il proiettore intervenendo, se necessario, sulla manopola della staffa di montaggio (2).

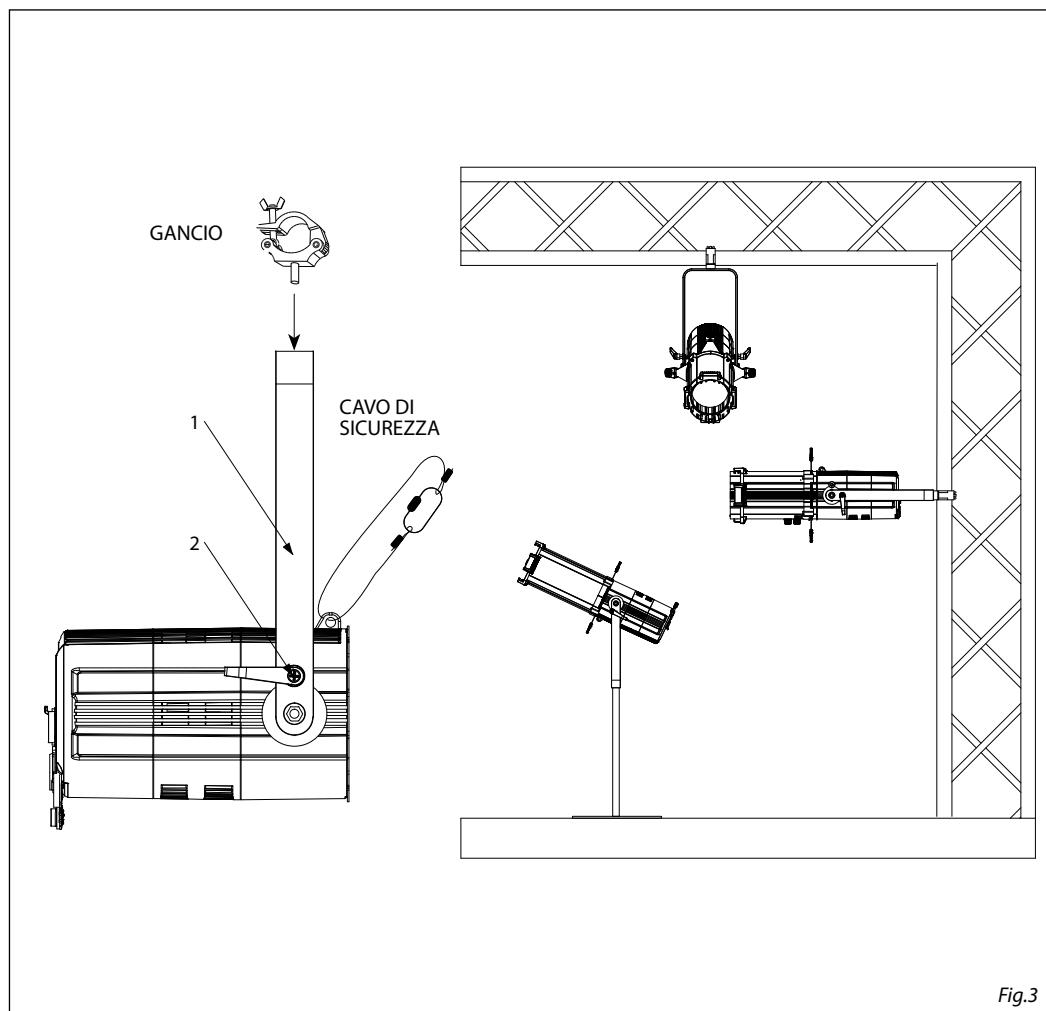


Fig.3

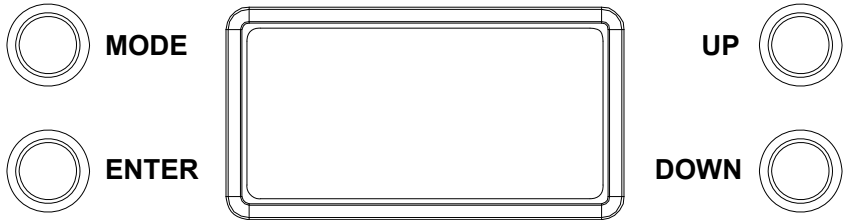
- 3 - FUNZIONI E IMPOSTAZIONI

3.1 FUNZIONAMENTO

Per accendere l'ECLIPSEJZIP, inserire la spina del cavo di alimentazione in una presa di rete (100-240V~/50-60Hz). L'unità può essere comandata da una unità DMX di comando luce. Per spegnere l'ECLIPSEJZIP, staccare la spina dalla presa di rete. Per maggiore comodità è consigliabile collegare l'unità con una presa comandata da un interruttore.

3.2 IMPOSTAZIONE BASE

L'ECLIPSEJZIP dispone di un OLED display e 4 pulsanti per accesso alle funzioni del pannello di controllo e la loro gestione (fig.4).



MENU	UP	DOWN	ENTER
Per scorrere il menu principale o tornare ad una opzione del menu precedente	Per scorrere attraverso le diverse funzioni in ordine discendente o aumentare il valore della funzione stessa	Per scorrere attraverso le diverse funzioni in ordine ascendente o diminuire il valore della funzione stessa	Per entrare nel menu selezionato o confermare il valore attuale della funzione o l'opzione all'interno di un menu

Fig.4 - Funzione dei tasti

3.3 STRUTTURA MENU

MENU					
1	CONNECT	⇒ DMX Address	⇒ Value (1-512)		
			⇒ DMX Mode	⇒ 1Ch 3Ch	
		⇒ Wireless Setting	⇒ Receive Off/On	⇒ Off On	
			⇒ Receive Reset	⇒ No Yes	
			⇒ Wireless To DMX	⇒ No Yes	
2	SETUP	⇒ Screen	⇒ Back Light	⇒ On 10s 20s 30s	
			⇒ Flip Display	⇒ No Yes	
		⇒ Key Lock	⇒ No Yes		
3	ADVANCED	⇒ Dimmer Mode	⇒ Off Dimmer1 Dimmer2 Dimmer3		
			⇒ LED Frequency	⇒ 600Hz 1200Hz 2000Hz 4000Hz 6000Hz 25kHz	
		⇒ Fan Mode	⇒ Auto On Silent		
		⇒ Factory Reload	⇒ No Yes		
4	INFORMATION	⇒ Fixture Hours	⇒ <9999H>		
		⇒ Version	⇒ <V1.0>		
		⇒ UID	⇒ 15D00227****		
5	STAND ALONE	⇒ Master/Slave			
		⇒ Effects	⇒ Effect 1 Effect 2 Effect 3 Effect 4	⇒ <1-100>	
		⇒ Static	⇒ Dimmer Strobe	⇒ <000-255>	

3.4 MODALITÀ DMX

- Per impostare l'indirizzo DMX, premere **MODE** e selezionare **Connect**, poi premere **ENTER** per confermare.
- Premere **UP/DOWN** per selezionare **DMX Mode**, dopodichè scegliere la modalità DMX desiderata: **1 CH / 3 CH**, quindi premere **ENTER**.
- Premere il tasto **ENTER** per confermare l'impostazione.
- Premere ripetutamente **MODE** per uscire dal menu e salvare le modifiche apportate.

Le tabelle a pagina 14 indicano le modalità di funzionamento e i relativi valori DMX. Come interfaccia DMX, l'unità possiede dei contatti XLR a 5 poli.

3.5 INDIRIZZAMENTO DMX

- Premere **MODE** e selezionare **Connect**, poi premere **ENTER** per confermare.
- Tramite **UP/DOWN** selezionare **DMX Address**, quindi premere **ENTER**.
- Utilizzare **UP/DOWN** per impostare l'indirizzo DMX desiderato: **001 - 512**. Tenere premuto per lo scorrimento veloce.
- Premere **ENTER** per confermare.

Per poter comandare l'ECLIPSEJZIP con un'unità di comando luce, occorre impostare l'indirizzo di start DMX per il primo canale DMX. Se, per esempio, sull'unità di comando è previsto l'indirizzo 33 per comandare la funzione del primo canale DMX, si deve impostare sull'ECLIPSEJZIP l'indirizzo di start 33. Le altre funzioni del pannello saranno assegnate automaticamente agli indirizzi successivi. Segue un esempio con indirizzo 33 di start:

Numero canali DMX	Indirizzo di start (esempio)	Indirizzo DMX occupati	Prossimo indirizzo di start possibile per unità n°1	Prossimo indirizzo di start possibile per unità n°2	Prossimo indirizzo di start possibile per unità n°3
1	33	33	34	35	36
3	33	33-35	36	39	42

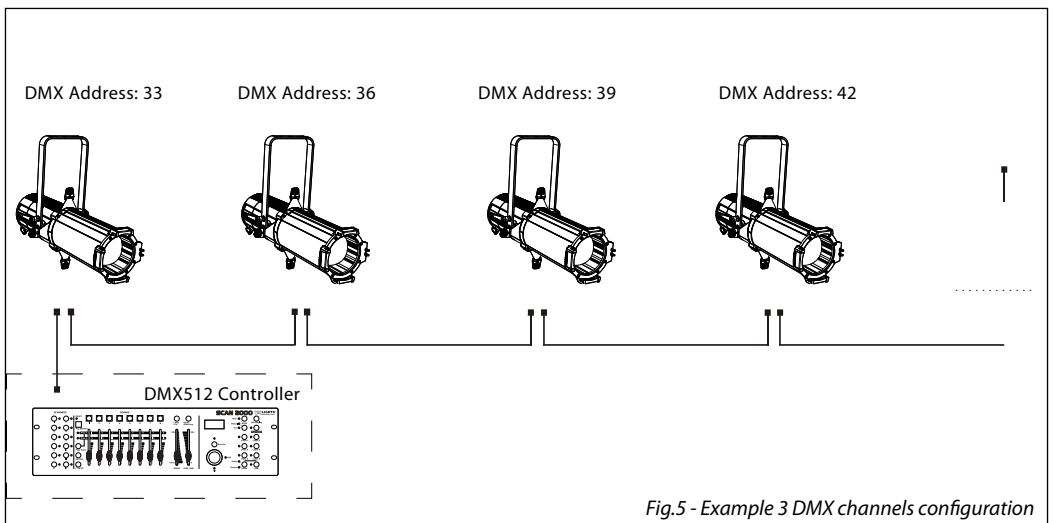


Fig.5 - Example 3 DMX channels configuration

3.6 COLLEGAMENTO

1. Collegare l'uscita DMX OUT dell'unità principale con l'ingresso DMX IN della prima unità secondaria servendosi di un cavo XLR a 5 poli.
2. Collegare l'uscita DMX OUT della prima unità secondaria con l'ingresso DMX IN della seconda unità secondaria ecc.

3.7 IMPOSTAZIONI WIRELESS

- Per entrare nella modalità Wireless premere MODE e selezionare **Connect**, dopodiché selezionare **Wireless Setting**, quindi premere il tasto ENTER.
- Selezionare la funzione **Receive On/Off** tramite UP/DOWN, quindi premere ENTER.
- Per attivare la funzione **Receive**, utilizzare UP/DOWN e selezionare l'opzione **On**.
- Premere ENTER per confermare la selezione.
- Premere MODE per tornare indietro o attendere alcuni secondi per uscire dal menu di configurazione.

NOTA: una volta eseguiti questi passaggi, è necessario sincronizzarsi con qualsiasi unità WiFi con la quale si vuol comunicare premendo il pulsante di sincronizzazione su di esso. A questo punto collegare la console DMX al Unità WiFi per aprire la comunicazione con ECLIPSEJZIP.

- Per ripristinare l'unità, selezionare **Receive Reset** utilizzando UP/DOWN, premere MODE e selezionare **Connect**, quindi selezionare **Receive Reset** utilizzando UP/DOWN, quindi premere ENTER.
- Per attivare la modalità utilizzare UP/DOWN e selezionare l'opzione **Yes**.
- Premere ENTER per confermare la selezione.
- Premere MODE per tornare indietro o attendere alcuni secondi per uscire dal menu di configurazione.
- Per attivare la funzione **Wireless to DMX**, utilizzare UP/DOWN per premere MODE e selezionare **Connect**, quindi selezionare **Wireless to DMX**, quindi premere ENTER.
- Per attivare la modalità utilizzare UP/DOWN e selezionare l'opzione **Yes**.
- Premere ENTER per confermare la selezione.
- Premere ripetutamente il tasto MODE per uscire dal menu e salvare le modifiche apportate.

3.8 SCREEN

È possibile modificare i seguenti parametri, come mostrato, seguendo la stessa procedura:

- Premere MODE per accedere al menu principale.
- Premere UP / DOWN per scorrere nel menu, selezionare **Set Up**, quindi premere ENTER per accedere al menu successivo.
- Premere UP / DOWN per selezionare **Screen** e premere ENTER per procedere.
- Controlla l'opzione proposta con UP / DOWN e premere ENTER per confermare.
 - **Backlight** - Retroilluminazione display Auto Off. Questa funzione consente di spegnere automaticamente la retroilluminazione del display dopo un determinato tempo che può essere impostato tramite i tasti direzionali. Per avere il display sempre acceso seleziona **On** oppure imposta un valore (**10s, 20s, 30s**) per far funzionare il display una volta trascorso il tempo scelto, dopo l'uscita dal menu.-
 - **Flip Display** - Orientamento del display. Questa funzione consente di ruotare il display di 180° per ottenere una migliore visualizzazione del display quando l'unità è sospesa a testa in giù. Selezionare **Yes** per attivare la funzione oppure **No** per disattivare.
 - **Key lock** - Blocco tasti. Con questa funzione è possibile bloccare i tasti del pannello di controllo, per evitare, ad esempio, manomissioni delle impostazioni. Se questa funzione è attiva, i tasti vengono bloccati automaticamente. Per ripristinare o disattivare la funzione di blocco tasti, premere i tasti nel seguente ordine , per riottenere l'accesso ai comandi di menu: UP, DOWN, UP, DOWN, ENTER. Selezionare **Yes** per eseguire la funzione oppure **No** per disattivare.
- Premere ENTER per conferma la scelta.
- Premere il tasto MENU più volte per uscire dal menu e per salvare le modifiche apportate.

3.9 ADVANCED

Puoi modificare i parametri seguendo questi passaggi:

- Premere il tasto MODE per accedere al menu principale.
- Utilizzare UP/DOWN per selezionare **Advanced**. Premere ENTER per confermare.
- Premere UP/DOWN per selezionare l'opzione desiderata e premere ENTER per confermare:
 - **Dimmer Mode** - Modalità Dimmer - Regolazione del dimmer. Entra in modalità Dimmer per selezionare la specifica curva dimmer.
- **Off**: l'aumento dell'intensità della luce è lineare
- **Dimmer 1**: curva dimmer con fade basso.
- **Dimmer 2**: curva dimmer con fade medio.
- **Dimmer 3**: curva dimmer con fade alto.
 - **LED Frequency** - Per regolare la frequenza dei LED. Selezionare la frequenza **600 Hz - 25 KHz** usando UP/DOWN e premere ENTER per confermare la selezione.
 - **Fan Mode** - Velocità ventole. Selezionare la velocità della ventola (**Auto, On, Silent**) tramite UP/DOWN, quindi confermare con ENTER.
 - **Factory Reload** - Per ripristinare l'unità. Selezionare **Yes** o **No** e selezionare ENTER per confermare.
- Premere ripetutamente il tasto MODE per uscire dal menu e salvare le modifiche apportate.

3.10 INFORMAZIONI SUL DISPOSITIVO

Per visualizzare tutte le informazioni sul dispositivo, procedere nel modo seguente:

- Premere MODE per accedere al menu principale. Premere UP/DOWN per selezionare **Information**, quindi premere ENTER per accedere al menu successivo:
 - **Fixture Hours** - Per vedere il tempo di funzionamento del proiettore.
 - **Software Version** - To view the firmware version will show on the display.
 - **UID** - per visualizzare l'ID di identificazione per il controllo RDM.
- Premere ENTER per confermare la selezione e attendere che la funzione selezionata sia ripristinata.
- Premere ripetutamente il tasto MENU per uscire dal menu e salvare le modifiche apportate.

3.11 MASTER/SLAVE MODE

Questa modalità consente di collegare in linea più unità ECLIPSEJZIP senza un controller. La prima unità sarà impostata come master e le altre funzioneranno come slave con lo stesso effetto.

- Premere MODE fino a quando sul display non appare **Stand Alone**, quindi premere ENTER per confermare la scelta.
- Seleziona **Master/Slave**, quindi premere ENTER per confermare la scelta.
- Sull'unità MASTER selezionare il programma desiderato come indicato nel paragrafo 3.4
- Servirsi dei connettori DMX del ECLIPSEJZIP e di un cavo XLR per formare una catena di unità.

In certe condizioni e lunghezze si consiglia di effettuare una terminazione come mostrato a pagina 15.
 NOTA: l'unità, impostata in modalità Static o Effects, risulta sembra essere Master.

3.12 MODALITÀ EFFECTS

Per entrare nella modalità **Effects** e permettere all'unità di svolgere il suo programma Show autonomamente:

- Per entrare nella modalità **Effects**, premere MODE per accedere al menu, tramite UP/DOWN selezionare **Stand Alone**, quindi premere ENTER per confermare.
- Usare UP/DOWN per selezionare il programma desiderato **Effect 1, Effect 2, Effect 3, Effect 4**, quindi premere ENTER per confermare.
- Impostare il valore (**1 - 100**), attraverso UP/DOWN, quindi premere ENTER per confermare.

3.13 MODALITÀ STATIC

L'unità consente di creare delle configurazioni che possono essere impostate attraverso la seguente procedura:

- Per entrare nella modalità **Static**, premere **MODE** ripetutamente fino a quando sul display non appare **Stand Alone**, quindi premere **ENTER** per confermare.
- Impostare il valore strobo **Static (000 - 255)**, attraverso **UP/DOWN**, quindi premere **ENTER** per confermare.
- Impostare il valore dimmer **Dimmer (000 - 255)**, attraverso **UP/DOWN**, quindi premere **ENTER** per confermare.

3.14 CANALI DMX

1 CHANNEL

MODE 1 Ch	FUNCTION	DMX Value
1	DIMMER 0~100%	000 - 255

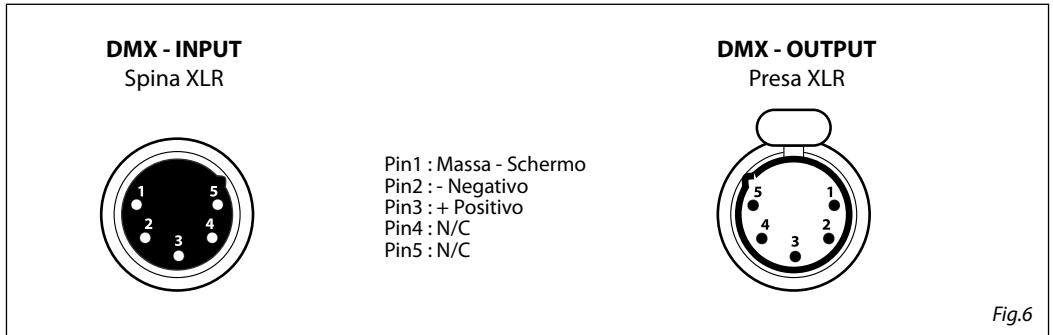
3 CHANNELS

MODE 3 Ch	FUNCTION	DMX Value
1	DIMMER 0~100%	000 - 255
2	STROBE No Function Strobe Slow to Fast	000 - 010 011 - 255
3	Dimmer Speed Mode Preset dimmer speed from display menu Dimmer speed mode off Dimmer speed mode 1 (fast speed) Dimmer speed mode 2 (middle speed) Dimmer speed mode 3 (slow speed)	000 - 051 052 - 101 102 - 152 153 - 203 204 - 255

3.15 COLLEGAMENTI DELLA LINEA DMX

La connessione DMX è realizzata con connettori standard XLR. Utilizzare cavi schermati, 2 poli ritorti, con impedenza 120Ω e bassa capacità.

Per il collegamento fare riferimento allo schema di connessione riportato di seguito:



ATTENZIONE

La parte schermata del cavo (calza) non deve mai essere collegata alla terra dell'impianto; ciò comporterebbe malfunzionamenti delle unità e dei controller.

Per passaggi lunghi può essere necessario l'inserimento di un amplificatore DMX.

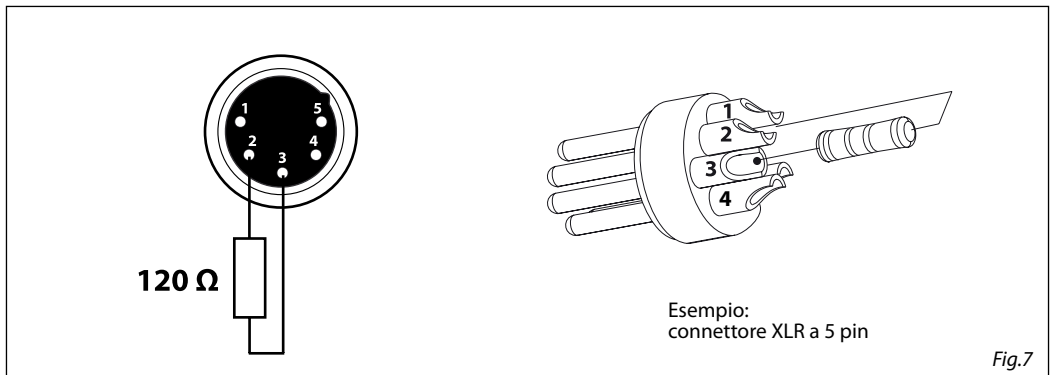
In tal caso, è sconsigliato utilizzare nei collegamenti cavo bilanciato microfonico poiché non è in grado di trasmettere in modo affidabile i dati di controllo DMX.

- Collegare l'uscita DMX del controller con l'ingresso DMX della prima unità;
- Collegare, quindi, l'uscita DMX con l'ingresso DMX della successiva unità; l'uscita di quest'ultima con l'ingresso di quella successiva e via dicendo finché tutte le unità sono collegate formando una catena.
- Per installazioni in cui il cavo di segnale deve percorrere lunghe distanze è consigliato inserire sull'ultima unità una terminazione DMX.

3.16 COSTRUZIONE DEL TERMINATORE DMX

La terminazione evita la probabilità che il segnale DMX 512, una volta raggiunta la fine della linea stessa venga riflesso indietro lungo il cavo, provocando, in certe condizioni e lunghezze, la sua sovrapposizione al segnale originale e la sua cancellazione.

La terminazione deve essere effettuata, sull'ultima unità della catena, con connettori XLR a 3 pin, saldando una resistenza di 120Ω (minimo $1/4W$) tra i terminali 2 e 3, così come indicato in figura.



- 4 - MANUTENZIONE

4.1 MANUTENZIONE E PULIZIA DEL SISTEMA OTTICO

- Durante gli interventi, assicurarsi che l'area sotto il luogo di installazione sia libera da personale non qualificato.
- Spegnerne l'unità, scollegare il cavo di alimentazione ed aspettare finché l'unità non si sia raffreddata.
- Tutte le viti utilizzate per l'installazione dell'unità e le sue parti devono essere assicurate saldamente e non devono essere corrose.
- Alloggiamenti, elementi di fissaggio e di installazione (soffitto, truss, sospensioni) devono essere totalmente esenti da qualsiasi deformazione.
- I cavi di alimentazione devono essere in condizione impeccabile e devono essere sostituiti immediatamente nel momento in cui anche un piccolo problema viene rilevato.
- Si dovrebbe procedere, ad intervalli regolari, alla pulizia della parte frontale per asportare polvere, fumo e altre particelle. Solo così, la luce può essere irradiata con la luminosità massima. Per la pulizia usare un panno morbido, pulito e un detergente per vetri come si trovano in commercio. Quindi asciugare le parti delicatamente.

4.2 RISOLUZIONE DEI PROBLEMI

Anomalie	Possibili cause	Controlli e rimedi
Il proiettore non illumina	<ul style="list-style-type: none"> • Mancanza di alimentazione di rete • Dimmer impostato a 0 • Tutti i colori impostati a 0 • LED difettoso/i • Scheda LED difettosa 	<ul style="list-style-type: none"> • Verificare la presenza della tensione alimentazione • Incrementare i valori del canale dimmer • Incrementare i valori dei canali colori • Sostituire scheda LED • Sostituire scheda LED
Bassa intensità di luce generale	<ul style="list-style-type: none"> • Lenti sporche • Lente disallineata 	<ul style="list-style-type: none"> • Pulire il dispositivo regolarmente • Installare il gruppo ottico correttamente
Il proiettore non è alimentato	<ul style="list-style-type: none"> • Mancanza di alimentazione di rete • Cavo di alimentazione danneggiato • Alimentatore interno difettoso 	<ul style="list-style-type: none"> • Verificare la presenza della tensione alimentazione • Controllare il cavo di alimentazione • Sostituire l'alimentatore interno
Il proiettore non risponde al DMX	<ul style="list-style-type: none"> • Indirizzamento DMX errato • Cavo di segnale DMX difettoso • Rimbalzo segnale DMX 	<ul style="list-style-type: none"> • Controllare il pannello di controllo e l'indirizzamento delle unità • Controllare il cavo di segnale DMX • Installare una terminazione DMX come suggerito

Rivolgersi a un centro di assistenza tecnico autorizzato nel caso in cui il problema non sia riportato in tabella.

