



# LUMA700

LUMA 700 is an LED Moving Head Spot that can truly replace a classic 700W HID fixture. At the heart of the LUMA700 is a 270W 7000K liquid cooled LED engine that delivers a staggering 15,500 Lumens using a custom optical system to deliver a consistent output, flat field and crisp gobo projection. LUMA 700 has been designed from the beginning to provide the creative flexibility and precision that productions demand, from theatres and events to broadcast and live touring.

## Features

- 270W 7000k High Brightness White LED Source
- Real alternative to a 700W HID fixtures
- Flat field projection, sharp beam and crisp gobos
- 5°-50° fast zoom (1:10)
- CMY color mixing and linear CTO, with additional 7 slot color wheel
- 3f circular prism, motorized linear iris and variable frost filter
- Two wheels with interchangeables gobos: 6 rotating gobo + 7 fixed gobos
- Advanced High Definition dimming technology
- Very lightweight and compact design



PHOTOMETRICS  
AND SPECIFICATIONS  
[WWW.MUSICLIGHTS.IT](http://WWW.MUSICLIGHTS.IT)



### Rotating gobos

Ø 27 mm - image: Ø 21 mm - thickness: 1.1mm



### Fixed gobos

Ø 27 mm - image: Ø 21 mm - thickness: 1.1mm



### Color wheel

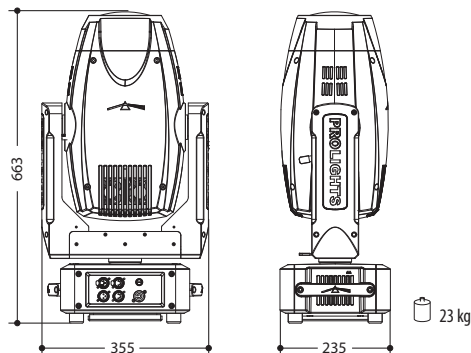


Cyan

Magenta

Yellow

CTO



### LIGHT SOURCE

- Source: 270W High Power White LED
- Temperature: 7000K
- Luminous Flux: 15500lm
- Lux: (5°) 19950 - (50°) 1008lux @5m
- Source Life Expectancy: >20.000 h

### OPTICS

- Zoom: 5-50° Motorised linear zoom
- Lens Diameter: 120mm
- Lens Type: HD anti-reflection lenses with achromatic coating
- Focus: Motorised with autofocus

### COLOR SYSTEM

- Color Mixing: Linear CMY
- CTC: Linear CTO correction 2700~6000K
- Color Wheel: 8 dichroic filters+Open
- Macros: Several built-in CMY macros

### DYNAMIC EFFECTS

- Rotating Gobos: 7 Rotating gobos+Open, Interchangeable, Indexing
- Gobo Size: gobo Ø 27 mm - img Ø 21 mm - 1.1 mm
- Fixed gobos: 6 Fixed gobos+Open, Interchangeable
- Gobo Size: gobo Ø 27 mm - img vØ 21 mm - 1.1 mm
- Circular Prism: 3f with bi-directional rotation, Indexing
- Frost: Linear 0-100% frost filter
- Iris: 5-100% motorized linear iris

### BODY

- Pan Angle: 630-540°
- Tilt Angle: 267°
- Pan/Tilt Resolution: 8/16 bit
- Feedback: Automatic repositioning after accidental movement
- Body: Aluminium structure with hi-resistance polycarbonate cover
- Body Color: Black

### CONTROL

- Protocols: DMX, RDM
- Dmx Channels: 19/21/28/29ch
- W-DMX: Included, Wireless Solution receiver
- RDM: RDM ready for fixture remote monitor and settings
- Display: LCD high resolution color display
- Firmware Upgrade: Yes, via USB-DMX interface (UPBOX2) not included
- Hibernation: Power Safe Mode when lost DMX

### ELECTRONICS

- Dimmer: Linear 0~100% electronic dimmer
- Strobe/Shutter: 1/28 flash/s, electronic
- Battery Backup: Battery backup for user operation without connecting to the main power
- Operating Temperature: -10/45°

### ELECTRICAL

- Power Supply: 100-240V – 50/60Hz
- Power Consumption (at 230V): 400W

### PHYSICAL

- Signal Connection: 3p+5p in/out
- Power Connection: PowerCON TRUE1 in
- IP: 20
- Cooling: Combination of liquid cooling system and low noise fan
- Pan/Tilt Lock: Pan and Tilt locking for transportation and maintenance
- Suspension And Fixing: Any position with "quick-lock" omega brackets
- Dimensions (WxHxD): 355x663x235mm
- Weight: 23Kg