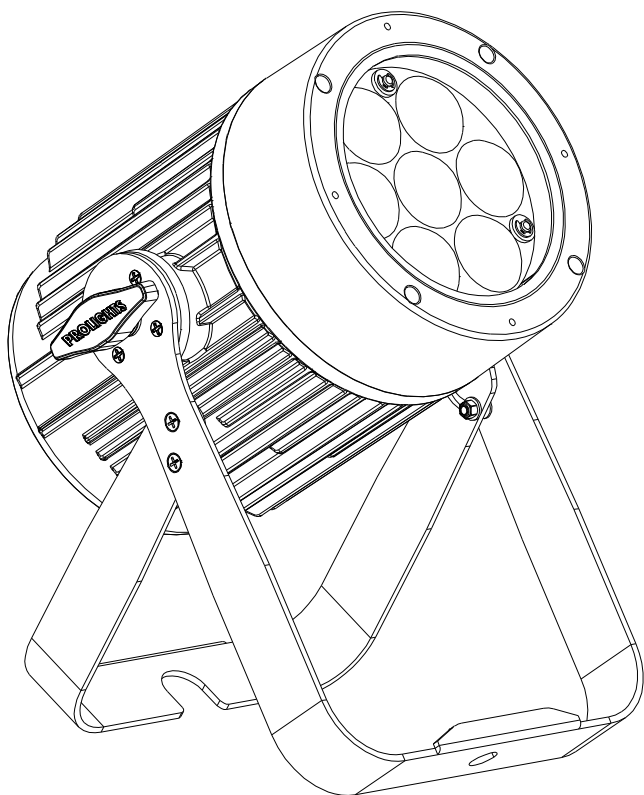


**TRIBE®**

# MINIVERSAPAR

PARLED ZOOM



USER MANUAL  
MANUALE UTENTE

All rights reserved by Music & Lights S.r.l. No part of this instruction manual may be reproduced in any form or by any means for any commercial use.

In order to improve the quality of products, Music&Lights S.r.l. reserves the right to modify the characteristics stated in this instruction manual at any time and without prior notice.  
All revisions and updates are available in the 'manuals' section on site [www.musiclights.it](http://www.musiclights.it)

**TABLE OF CONTENTS****Safety**

General instructions .....	2
Warnings and installation precautions .....	2

**1 Introduction**

1. 1 Description .....	3
1. 2 Technical specifications .....	3
1. 3 Operating elements and connections .....	5

**2 Installation**

2. 1 Mounting .....	6
---------------------	---

**3 Functions and settings**

3. 1 Operation .....	7
3. 2 Basic .....	7
3. 3 Menu structure .....	8
3. 4 Auto show .....	9
3. 5 Static mode .....	9
3. 6 Manual mode .....	10
3. 7 Master/Slave mode .....	10
3. 8 Linking .....	10
3. 9 DMX mode .....	10
3. 10 DMX addressing .....	10
3. 11 Connection of the DMX line .....	12
3. 12 Construction of the DMX termination .....	12
3. 13 DMX control .....	13
3. 14 Dimmer .....	14
3. 15 Back light .....	14
3. 16 Fixture information .....	14
3. 17 LED frequency .....	14
3. 18 Temperature .....	14
3. 19 Fan mode .....	15
3. 20 White balance .....	15

**4 Maintenance**

4. 1 Maintenance and cleaning the unit .....	16
4. 2 Fuse replacement .....	16
4. 3 Trouble shooting .....	16

**Packing content**

- MINIVERSAPAR
- Mount bracket (2 pc.)
- Power cable
- User manual




**WARNING!** Before carrying out any operations with the unit, carefully read this instruction manual and keep it with care for future reference. It contains important information about the installation, usage and maintenance of the unit.



## SAFETY

### General instruction

- The products referred to in this manual conform to the European Community Directives and are therefore marked with **CE**.
- The unit is supplied with hazardous network voltage (230V~). Leave servicing to skilled personnel only. Never make any modifications on the unit not described in this instruction manual, otherwise you will risk an electric shock.
- Connection must be made to a power supply system fitted with efficient earthing (Class I appliance according to standard EN 60598-1). It is, moreover, recommended to protect the supply lines of the units from indirect contact and/or shorting to earth by using appropriately sized residual current devices.
- The connection to the main network of electric distribution must be carried out by a qualified electrical installer. Check that the main frequency and voltage correspond to those for which the unit is designed as given on the electrical data label.
- This unit is not for home use, only professional applications.
- Never use the fixture under the following conditions:
  - in places subject to vibrations or bumps;
  - in places with a temperature of over 40 °C.
- Make certain that no inflammable liquids, water or metal objects enter the fixture.
- Do not dismantle or modify the fixture.
- All work must always be carried out by qualified technical personnel. Contact the nearest sales point for an inspection or contact the manufacturer directly.
- If the unit is to be put out of operation definitively, take it to a local recycling  plant for a disposal which is not harmful to the environment.

### Warnings and installation precautions

- If this device will be operated in any way different to the one described in this manual, it may suffer damage and the guarantee becomes void. Furthermore, any other operation may lead to dangers like short circuit, burns, electric shock, etc.
- Before starting any maintenance work or cleaning the projector, cut off power from the main supply.
- Always additionally secure the projector with the safety rope. When carrying out any work, always comply scrupulously with all the regulations (particularly regarding safety) currently in force in the country in which the fixture's being used.
- Install the fixture in a well ventilated place.
- Keep any inflammable material at a safe distance from the fixture.
- Shields, lenses or ultraviolet screens shall be changed if they have become damaged to such an extent that their effectiveness is impaired.
- The lamp (LED) shall be changed if it has become damaged or thermally deformed.
- Never look directly at the light beam. Please note that fast changes in lighting, e. g. flashing light, may trigger epileptic seizures in photosensitive persons or persons with epilepsy.
- Do not touch the product's housing when operating because it may be very hot.

## - 1 - INTRODUCTION

### 1.1 DESCRIPTION

MINIVERSAPAR is a compact indoor LED zoom PAR designed for rental companies. The multi-purpose concept combining high brightness, wide zoom range and advanced colour mixing truly makes this a unique fixture. MINIVERSAPAR is equipped with 10°-40° unrivalled zoom range, high efficiency, perfect chromatic uniformity, HD dimming technology and totally silent operation.

### 1.2 TECHNICAL SPECIFICATIONS

#### LIGHT SOURCE

- Source: 7x10W RGBW LEDs
- Luminous flux: (10°) 1012lm (40°) 1335lm
- Lux: (10°) 4415 lux, (40°) 378lux @3m
- Source life expectancy: >50.000 h

#### OPTICS

- Zoom: 10 °- 40° motorised linear zoom
- Lens type: honeycomb gapless plano-convex optics

#### COLOUR SYSTEM

- Colour mixing: RGBW/FC
- White presets: 2800-10'000K
- Colour wheel: virtual colour wheel with presets
- Macros: several pre-build pixel macros with adjustable speed

#### DYNAMIC EFFECTS

- Static colour mode: selection of static colour
- Manual colour mode: manual adjustment of colour
- Auto mode: built-in programs with execution speed adjustment
- Sound mode: music activation through internal microphone and sensitivity control

#### BODY

- Body: sturdy die-cast aluminium body conceived for long-time durability
- Body colour: black

#### CONTROL

- Protocols: DMX512
- DMX channels: 5/7/10channel
- Display: 4-Chars display
- Firmware upgrade: yes, via USB-DMX interface (UPBOX1) not included
- Master/Slave: for synchronized operation of more units linked in a chain

#### ELECTRONICS

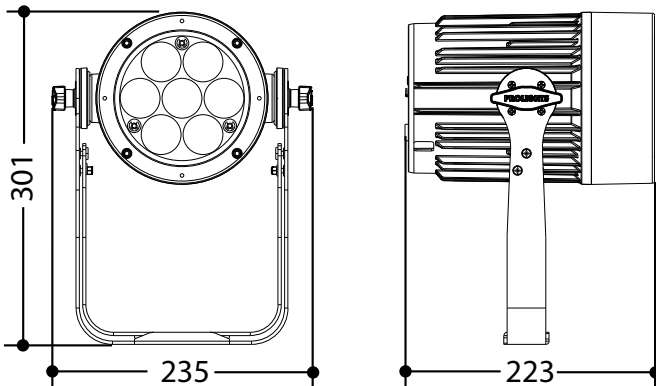
- Dimmer: linear 0~100% electronic dimmer
- Dimmer curves: different dimming curves available
- Strobe / shutter: 1/28 Hz, electronic
- Operating temperature: -10° ~ +40°
- Flicker: flicker free operation

#### ELECTRICAL

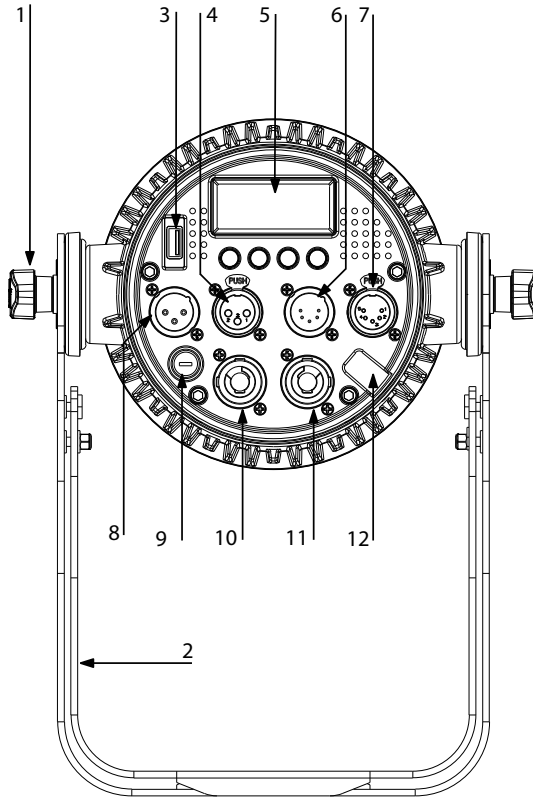
- Power supply: 100-240V – 50/60Hz
- Power consumption (at 230V): 69,2W
- Power consumption (at 120V): 70W
- Output (at 230V): 54 units on a single power line
- Output (at 120V): 11 units on a single power line

**PHYSICAL**

- Cooling: forced air with low noise fan
- Data: USB port for USB WIFI transmitter (optional)
- Signal connection: XLR 3p+5p IN/OUT connectors
- Power connection: Seetronic powerCON IN/OUT connectors
- IP rating: 30 with a protective vent to prevent condensation, dust, compensate pressure
- Dimensions (WxHxD): 235x156x301mm
- Weight: 3.7kg

*Technical drawing**Fig.1*

## 1.3 OPERATING ELEMENTS AND CONNECTIONS



Rear panel

Fig.2

1. SCREW for the mounting bracket.
2. MOUNTING BRACKET.
3. Universal Serial Bus (USB)
4. DMX OUT (3-pole XLR):  
1 = ground, 2 = DMX -, 3 = DMX +.
5. CONTROL PANEL with display and 4 button used to access the control panel functions and manage them.
6. DMX IN (5-pole XLR):  
1 = ground, 2 = DMX-, 3 = DMX+, 4 N/C, 5 N/C
7. DMX OUT (5-pole XLR):  
1 = ground, 2 = DMX-, 3 = DMX+, 4 N/C, 5 N/C
8. DMX IN (3-pole XLR): 1 = ground, 2 = DMX -, 3 = DMX +.
9. MAIN FUSE HOLDER: replace a burnt-out fuse by one of the same type only (T1A/250V).
10. POWER IN (PowerCON IN): for connection to a socket (100-240V~/50-60Hz) via the supplied mains cable.
11. POWER OUT: connect to supply power to the next unit.
12. SAFETY RING to attach safety cable.

## - 2 - INSTALLATION

### 2.1 MOUNTING

MINIVERSAPAR may be set up on a solid and even surface. The unit can also be mounted upside down to a cross arm. For fixing, stable mounting clips are required. The mounting place must be of sufficient stability and be able to support a weight of 10 times of the unit's weight.

When carrying out any installation, always comply scrupulously with all the regulations (particularly regarding safety) currently in force in the country in which the fixture's being used.

- Install the projector at a suitable location by means of the mounting bracket (1).
- Always additionally secure the projector with the safety rope from falling down. For this purpose, fasten the safety rope at a suitable position so that the maximum fall of the projector will be 20 cm.
- Adjust the projector and use the screw to slightly release or tighten the locking mechanism of the bracket if is necessary (2).

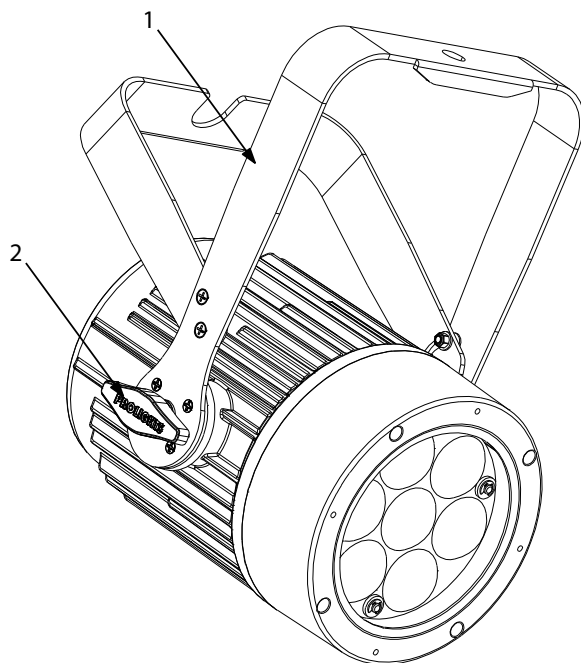


Fig.3



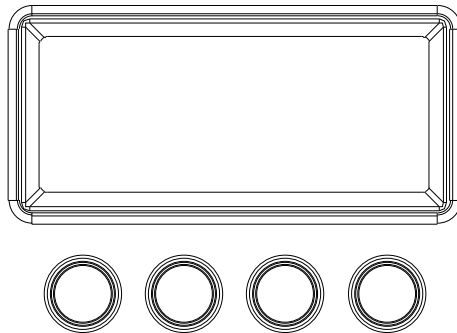
## - 3 - FUNCTIONS AND SETTINGS

### 3.1 OPERATION

Connect the supplied main cable to a socket (100-240V~/50-60Hz). Then the unit is ready for operation and can be operated via a DMX controller or it independently performs its show program in succession. To switch off, disconnect the mains plug from the socket. For a more convenient operation it is recommended to connect the unit to a socket which can be switched on and off via a light switch.

### 3.2 BASIC

Access control panel functions using the four panel buttons located directly underneath the black OLED display (fig.4).



**MENU UP DOWN ENTER**

MENU	UP	DOWN	ENTER
Used to access the menu or to return a previous menu option	Navigates downwards through the menu list and increases the numeric value when in a function	Navigates upwards through the menu list and decreases the numeric value when in a function	Used to select and store the current menu or confirm the current function value or option within a menu

*Fig.4 - Functions of the buttons*

## 3.3 MENU STRUCTURE

	MENU	
1	<b>5 CH</b>	⇒ 1 - 512
2	<b>6 CH</b>	1 - 512
3	<b>11 CH</b>	1 - 512
4	<b>COLOR</b>	⇒ C 1 C 2 C 3 C 4 C 5 C 6 C 7 C 8 C 9 C 10 C 11 C 12 C 13 C 14 C 15
5	<b>ZOOM</b>	⇒ Zoom (0-255)
6	<b>PROGRAMS</b>	⇒ P 1 P 2 P 3 P 4
7	<b>SPEED</b>	⇒ S (1 - 100)
8	<b>SOUND</b>	⇒ Snd 1 Snd 2
9	<b>SENS</b>	⇒ U (1 - 100)
10	<b>U</b>	⇒ R (0 - 255) G (0 - 255) B (0 - 255) W (0 - 255)
11	<b>DIMMER MODE</b>	⇒ Off Dimmer 1 Dimmer 2 Dimmer 3
12	<b>TEMP</b>	⇒ 65°

**3. 4 LINKING**

1. Connect the DMX OUT of the master unit via 3/5-pole XLR cable to the DMX IN of the first slave unit.
2. Connect the DMX OUT of the first slave unit to the DMX IN of the second slave unit, etc. until all units are connected in a chain.

**3. 5 DMX MODE**

- Press the button MENU so many times until shows **5 Ch**, **6 Ch** or **11 Ch** and press the button ENTER to confirm.
- Press the button UP/DOWN to select the desired DMX address **001 - 512**. Press and hold to scroll quickly. Press ENTER button to store.
- Press the MENU button to go back or to meet the waiting time to exit the setup menu.

The tables on page 14 indicate the operating mode and DMX value. MINIVERSAPAR is equipped with 3/5-pole XLR connections.

**3. 6 DMX ADDRESSING**

To able to operate the MINIVERSAPAR with a light controller, adjust the DMX start address for the first a DMX channel. If e. g. address 33 on the controller is provided for controlling the function of the first DMX channel, adjust the start address 33 on the MINIVERSAPAR. The other functions of the light effect panel are then automatically assigned to the following addresses.

An example with the start address 33 is shown below:

Number of DMX channels	Start address (example)	DMX Address occupied	Next possible start address for unit No. 1	Next possible start address for unit No. 2	Next possible start address for unit No. 3
5	33	33-37	38	43	48

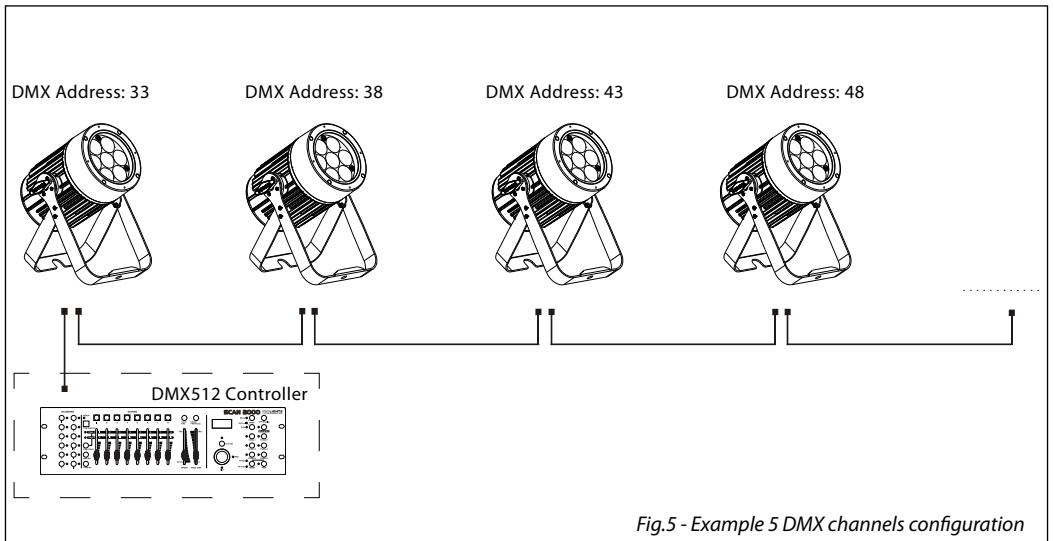


Fig.5 - Example 5 DMX channels configuration

### 3. 7 COLOR

If no DMX control signal is present at the DMX INPUT, the unit independently runs through its show programme provided that the blackout mode is switched off:

- Press the button MENU so many times until the display shows **Color**, then press the button ENTER.
- Press the button UP/DOWN to switch between the show **C1, ..., C15**. The unit will operate in show mode.
- Press the button ENTER to save the setting.

### 3. 8 AUTO SHOW

This fixture has a built-in automatic program. To access this, please see the below instructions:

- Press the button MENU so many times until shows **P--**, then press the button ENTER.
- Using UP/DOWN button, select one of the programs **P1 - P4**.
- Press the button ENTER to confirm.
- Press the button MENU until **S--** appears on the display.
- Use the button UP/DOWN to select the auto programs speed **S001 - S100** (slow-fast).
- Press the button ENTER save the setting.

### 3. 9 SOUND MODE

In music mode, via its integrated microphone, the unit can be controlled by music with a clear rhythm in the bass range. If the music control should not work optimally, increase the volume or reduce the distance between the sound source and the light effect unit.

- Press the button MENU so many times until the display shows **Snd**.
- Using UP/DOWN button, select one of the modes **Snd1** or **Snd2**.
- Press the button ENTER to confirm.
- You can set the microphone sensitivity pressing the button MENU so many times until the display show **Sens**
- Using the button UP/DOWN, select the desired value sensitivity (slow-fast) **u0 - u100**.
- Press the button ENTER to confirm.

### 3. 10 MANUAL COLOR

This mode allows to adjust the color (**uv**).

- Press the button MENU so many times until the display shows **U--**, then press the button ENTER.
- Press the button ENTER to confirm.
- Using UP/DOWN button, select the desired color value **000 - 255**.
- Press ENTER button to continue to the next color **R, G, B, W**.
- Continue until the desired color is obtained.
- Press the MENU button to go back or to meet the waiting time to exit the setup menu.

### 3. 11 DIMMER

- Enter in Dimmer mode to select specific dimming curve, press the button MENU so many times until shows **dim**, and press the button ENTER to confirm.
- Press the button UP/DOWN to select **OFF - dim1 - dim2 - dim3**.
- Press ENTER button to store.
- Press the MENU button to go back or to meet the waiting time to exit the setup menu.

### 3. 12 UNIT TEMPERATURE

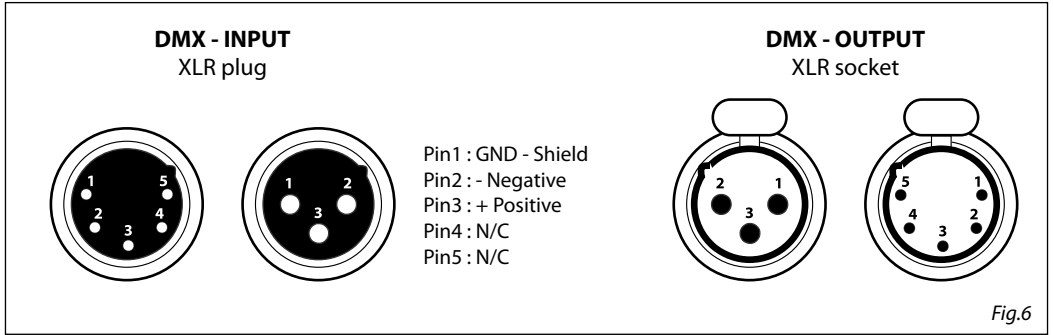
Through the TEMP function you can display the temperature of the projector.

- Press the MENU button so many times until the display shows **TEMP**, then press the button ENTER.

### 3.11 CONNECTION OF THE DMX LINE

DMX connection employs standard XLR connectors. Use shielded pair-twisted cables with 120Ω impedance and low capacity.

The following diagram shows the connection mode:



#### ATTENTION

The screened parts of the cable (sleeve) must never be connected to the system's earth, as this would cause faulty fixture and controller operation.

Over long runs can be necessary to insert a DMX level matching amplifier.

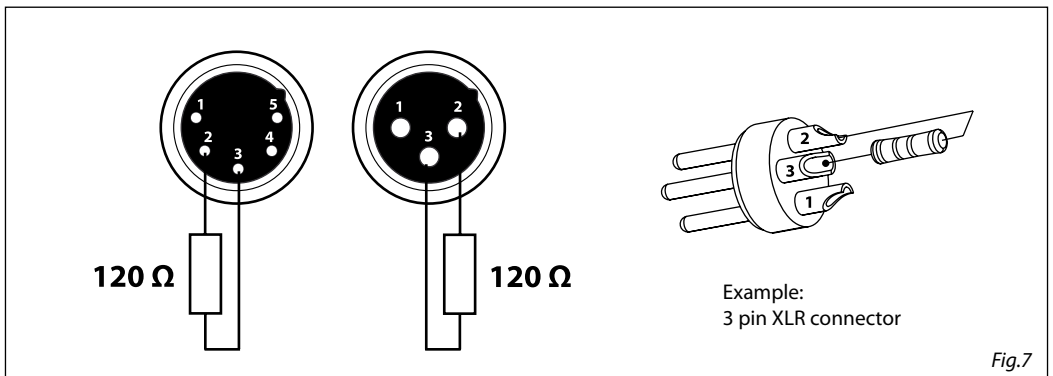
For those connections the use of balanced microphone cable is not recommended because it cannot transmit control DMX data reliably.

- Connect the controller DMX input to the DMX output of the first unit.
- Connect the DMX output to the DMX input of the following unit. Connect again the output to the input of the following unit until all the units are connected in chain.
- When the signal cable has to run longer distance is recommended to insert a DMX termination on the last unit.

### 3.12 CONSTRUCTION OF THE DMX TERMINATION

The termination avoids the risk of DMX 512 signals being reflected back along the cable when they reach the end of the line: under certain conditions and with certain cable lengths, this could cause them to cancel the original signals.

The termination is prepared by soldering a 120Ω 1/4 W resistor between pins 2 and 3 of the 5-pin male XLR connector, as shown in figure.



## 3.13 DMX CONTROL

## 5 CANALI

MODE 5 Ch	FUNCTION	DMX Value
1	<b>RED</b> 0~100%	000 - 255
2	<b>GREEN</b> 0~100%	000 - 255
3	<b>BLUE</b> 0~100%	000 - 255
4	<b>WHITE</b> 0~100%	000 - 255
5	<b>ZOOM</b> 0~100%	000 - 255

## 6 CANALI

MODE 6 Ch	FUNCTION	DMX Value
1	<b>DIMMER</b> 0~100%	000 - 255
2	<b>RED</b> 0~100%	000 - 255
3	<b>GREEN</b> 0~100%	000 - 255
4	<b>BLUE</b> 0~100%	000 - 255
5	<b>WHITE</b> 0~100%	000 - 255
6	<b>STROBE</b> No Function Slow to fast	000 - 010 011 - 255

## 11 CANALI

MODE 11 Ch	FUNCTION	DMX Value
1	<b>DIMMER</b> 0~100%	000 - 255
2	<b>RED</b> 0~100%	000 - 255
3	<b>GREEN</b> 0~100%	000 - 255
4	<b>BLUE</b> 0~100%	000 - 255
5	<b>WHITE</b> 0~100%	000 - 255
6	<b>COLOR</b> No Function Color Macros	000 - 015 016 - 255
7	<b>STROBE</b> No Function Slow to fast	000 - 010 011 - 255
8	<b>PROGRAMS</b> No Function 0-100% 100%-0 100% -0-100% Colors Fade 4Colors snap 15Colors snap Sound Control	000 - 031 032 - 063 064 - 095 096 - 127 128 - 159 160 - 191 192 - 223 224 - 255
	<b>PROGRAMS SPEED</b> Speed slow to fast	000 - 255
9	<b>SOUND SENSITIVITY</b> Sound sensitivity OFF Control the sound sensitivity	000 - 010 011 - 255
10	<b>DIMMER MODE</b> Preset dimmer speed from display menu Dimmer speed mode off Dimmer speed mode1 (fast speed) Dimmer speed mode2 (middle speed) Dimmer speed mode3 (slow speed)	000 - 051 052 - 101 102 - 152 153 - 203 204 - 255
11	<b>ZOOM</b> 0~100%	000 - 255

## - 4 - MAINTENANCE

### 4.1 MAINTENANCE AND CLEANING THE UNIT

- Make sure the area below the installation place is free from unwanted persons during setup.
- Switch off the unit, unplug the main cable and wait until the unit has cooled down.
- All screws used for installing the device and any of its parts should be tightly fastened and should not be corroded.
- Housings, fixations and installation spots (ceiling, trusses, suspensions) should be totally free from any deformation.
- The main cables must be in impeccable condition and should be replaced immediately even when a small problem is detected.
- It is recommended to clean the front at regular intervals, from impurities caused by dust, smoke, or other particles to ensure that the light is radiated at maximum brightness. For cleaning, disconnect the main plug from the socket. Use a soft, clean cloth moistened with a mild detergent. Then carefully wipe the part dry. For cleaning other housing parts use only a soft, clean cloth. Never use a liquid, it might penetrate the unit and cause damage to it.

### 4.2 FUSE REPLACEMENT

1. Remove the safety cap by a screwdriver.
2. Replace the blown fuse with a fuse of the exact same type and rating (T2A/250V).
3. Install the safety cap, and reconnect power.



Fig.8

### 4.3 TROUBLESHOOTING

Problems	Possible causes	Checks and remedies
Fixture does not light up	<ul style="list-style-type: none"> <li>• No mains supply</li> <li>• Dimmer fader set to 0</li> <li>• All color faders set to 0</li> <li>• Faulty LED</li> <li>• Faulty LED board</li> </ul>	<ul style="list-style-type: none"> <li>• Check the power supply voltage</li> <li>• Increase the value of the dimmer channels</li> <li>• Increase the value of the color channels</li> <li>• Replace the LED board</li> <li>• Replace the LED board</li> </ul>
General low light intensity	<ul style="list-style-type: none"> <li>• Dirty lens assembly</li> </ul>	<ul style="list-style-type: none"> <li>• Clean the fixture regularly</li> </ul>
Fixture does not power up	<ul style="list-style-type: none"> <li>• No power</li> <li>• Loose or damaged power cord</li> <li>• Faulty internal power supply</li> </ul>	<ul style="list-style-type: none"> <li>• Check for power on power outlet</li> <li>• Check power cord</li> <li>• Replace internal power supply</li> </ul>
Fixture does not respond to DMX	<ul style="list-style-type: none"> <li>• Wrong DMX addressing</li> <li>• Damaged DMX cables</li> <li>• Bouncing signals</li> </ul>	<ul style="list-style-type: none"> <li>• Check control panel and unit addressing</li> <li>• Check DMX cables</li> <li>• Install terminator as suggested</li> </ul>

Contact an authorized service center in case of technical problems or not reported in the table can not be resolved by the procedure given in the table.

Music & Lights S.r.l. si riserva ogni diritto di elaborazione in qualsiasi forma delle presenti istruzioni per l'uso.  
La riproduzione - anche parziale - per propri scopi commerciali è vietata.

Al fine di migliorare la qualità dei prodotti, la Music&Lights S.r.l. si riserva la facoltà di modificare, in qualunque momento e senza preavviso, le specifiche menzionate nel presente manuale di istruzioni.  
Tutte le revisioni e gli aggiornamenti sono disponibili nella sezione 'Manuali' sul sito [www.musiclights.it](http://www.musiclights.it)



<b>INDICE</b>	<b>Sicurezza</b>	
	Avvertenze generali .....	4
	Attenzioni e precauzioni per l'installazione .....	4
	<b>1 Introduzione</b>	
	1.1 Descrizione .....	5
	1.2 Specifiche tecniche .....	5
	1.3 Elementi di comando e di collegamento .....	7
	<b>2 Installazione</b>	
	2.1 Montaggio .....	8
	<b>3 Funzioni e impostazioni</b>	
	3.1 Funzionamento .....	9
	3.2 Impostazione base .....	9
	3.3 Struttura menu .....	10
	3.4 Modalità automatica .....	11
	3.5 Modalità statica .....	11
	3.6 Modalità manuale .....	12
	3.7 Modalità Master/Slave .....	12
	3.8 Collegamento .....	12
	3.9 Modalità DMX .....	12
	3.10 Indirizzamento DMX .....	12
	3.11 Collegamenti della linea DMX .....	14
	3.12 Costruzione del terminatore DMX .....	14
	3.13 Canali DMX .....	15
	3.14 Dimmer .....	16
	3.15 Back Light .....	16
	3.16 Informazioni sul dispositivo .....	16
	3.17 Frequenza LED .....	16
	3.18 Temperatura .....	16
	3.19 Modalità ventola .....	17
	3.20 Bilanciamento bianco .....	17
	<b>4 Manutenzione</b>	
	4.1 Manutenzione e pulizia del sistema ottico .....	18
	4.2 Sostituzione fusibile .....	18
	4.3 Risoluzione dei problemi .....	18

- 
- Contenuto dell'imballo:**
- MINIVERSAPAR
  - Staffa di fissaggio (2pz.)
  - Cavo di alimentazione
  - Manuale utente
-




**ATTENZIONE!** Prima di effettuare qualsiasi operazione con l'unità, leggere con attenzione questo manuale e conservarlo accuratamente per riferimenti futuri. Contiene informazioni importanti riguardo l'installazione, l'uso e la manutenzione dell'unità.



## SICUREZZA

### Avvertenze generali

- I prodotti a cui questo manuale si riferisce sono conformi alle Direttive della Comunità Europea e pertanto recano la sigla **CE**.
- Il dispositivo funziona con pericolosa tensione di rete 230V~. Non intervenire mai al suo interno al di fuori delle operazioni descritte nel presente manuale; esiste il pericolo di una scarica elettrica.
- È obbligatorio effettuare il collegamento ad un impianto di alimentazione dotato di un'efficiente messa a terra (apparecchio di Classe I secondo norma EN 60598-1). Si raccomanda, inoltre, di proteggere le linee di alimentazione delle unità dai contatti indiretti e/o cortocircuiti verso massa tramite l'uso di interruttori differenziali opportunamente dimensionati.
- Le operazioni di collegamento alla rete di distribuzione dell'energia elettrica devono essere effettuate da un installatore elettrico qualificato. Verificare che frequenza e tensione della rete corrispondono alla frequenza ed alla tensione per cui l'unità è predisposta, indicate sulla targhetta dei dati elettrici.
- L'unità non per uso domestico, solo per uso professionale.
- Evitare di utilizzare l'unità:
  - in luoghi soggetti a vibrazioni, o a possibili urti;
  - in luoghi a temperatura superiore ai 40°C.
- Evitare che nell'unità penetrino liquidi infiammabili, acqua o oggetti metallici.
- Non smontare e non apportare modifiche all'unità.
- Tutti gli interventi devono essere sempre e solo effettuati da personale tecnico qualificato. Rivolgersi al più vicino centro di assistenza tecnica autorizzato.
- Se si desidera eliminare il dispositivo definitivamente, consegnarlo  per lo smaltimento ad un'istituzione locale per il riciclaggio.

### Attenzioni e precauzioni per l'installazione

- Se il dispositivo dovesse trovarsi ad operare in condizioni differenti da quelle descritte nel presente manuale, potrebbero verificarsi dei danni; in tal caso la garanzia verrebbe a decadere. Inoltre, ogni altra operazione potrebbe provocare cortocircuiti, incendi, scosse elettriche, rotture etc.
- Prima di iniziare qualsiasi operazione di manutenzione o pulizia sull'unità togliere la tensione dalla rete di alimentazione.
- È assolutamente necessario proteggere l'unità per mezzo di una fune di sicurezza. Nell'eseguire qualsiasi intervento attenersi scrupolosamente a tutte le normative (in materia di sicurezza) vigenti nel paese di utilizzo.
- Installare l'unità in un luogo ben ventilato.
- Mantenere i materiali infiammabili ad una distanza di sicurezza dall'unità.
- I filtri, le lenti o gli schermi ultravioletti se danneggiati possono limitare la loro efficienza.
- I LED devono essere sostituiti se danneggiati o termicamente deformati.
- Non guardare direttamente il fascio luminoso. Tenete presente che i veloci cambi di luce possono provocare attacchi d'epilessia presso persone fotosensibili o epilettiche.
- Non toccare l'alloggiamento del prodotto quando è in funzione perché potrebbe essere molto caldo.

## - 1 - INTRODUZIONE

### 1.1 DESCRIZIONE

MINIVERSAPAR è una nuova generazione di ParLED zoom, progettato per rental-company, con diverse applicazioni sia per stage che per illuminazione architettuale, in ambienti di grandi e medie dimensioni. Il caratteristico sistema ottico a singola lente con bordi piano-convessi migliora la fonte dei 7x10W RGBW/FC LED grazie ad una tecnica di riflessione in cui i colori vengono pre miscelati in canali ottici. Un accorgimento tecnico permette un naturalismo cromatico non semplice da raggiungere per proiettori LED di vecchia generazione. MINIVERSAPAR possiede anche uno zoom 10°-60° per ottenere effetti beam con grande definizione o ampi angoli per effetti wash. In tutta la gamma di zoom vengono mantenuti l'eccellente efficienza e la perfetta uniformità cromatica. MINIVERSAPAR è un proiettore sviluppato per uso professionale offrendo nuove tecnologie dimmer con andamenti super lineari e anti-flickering, con settaggi di frequenza per l'interfaccia utente. L'assoluta operatività silenziosa del MINIVERSAPAR lo rende utile anche in ambienti silenziosi o in applicazioni con un gran numero di unità.

### 1.2 SPECIFICHE TECNICHE

#### SORGENTE LUMINOSA

- Source: 7 x 10 W RGBW LEDs
- CT: White 6701 K
- Lux: (10°) 4415 lux, (35°) 378 lux @3m
- Source Life Expectancy: >50.000 h

#### OTTICA

- Zoom: ° Motorised linear zoom
- Beam Angle: 10° -35 °
- Lens Type: HQ glass lens optics

#### SISTEMA COLORE

- Color Mixing: RGBW/FC
- Color Wheel: Virtual color wheel with presets
- Macros: Several pre-build pixel macros with adjustable speed

#### EFFETTI DINAMICI

- Static Color Mode: Selection of static color
- Manual Color Mode: Manual adjustment of color
- Auto Mode: Built-in programs with execution speed adjustment
- Sound Mode: Music activation through internal microphone, sensitivity contr.

#### CORPO

- Body: Sturdy die-cast aluminium body conceived for long-time durability
- Body Color: Black

#### CONTROLLO

- Protocols: DMX512
- Dmx Channels: 5/6/11 ch
- Firmware Upgrade: Yes, via USB-DMX interface (UPBOX1) not included
- Master/Slave: for synchronized operation of more units linked in a chain

**ELETTRONICA**

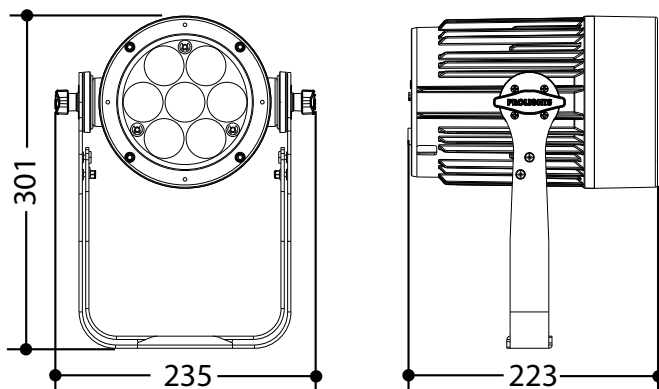
- Dimmer: Linear 0~100% electronic dimmer
- Dimmer Curves: Different dimming curves available
- Strobe/Shutter: 1/28 Hz, electronic
- Operating Temperature: -10° ~ +40°
- Flicker: Flicker free operation

**ALIMENTAZIONE**

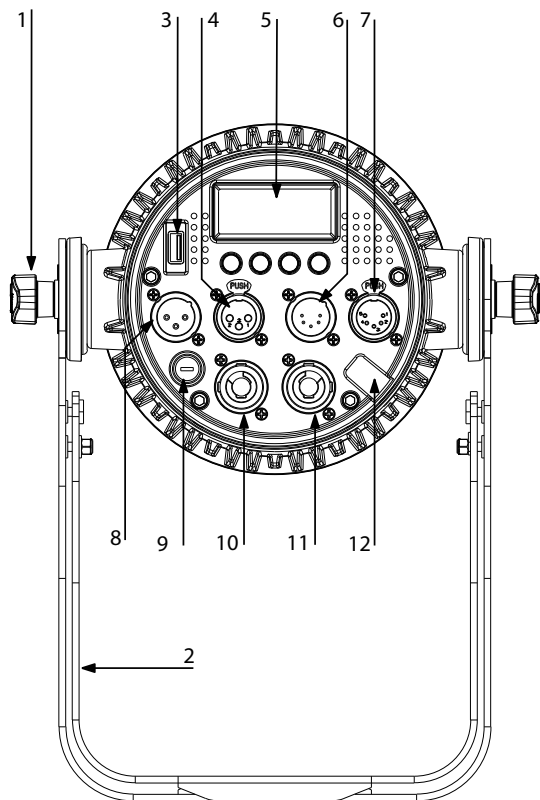
- Power Supply: 100-240V – 50/60Hz
- Power Consumption (at 230V): 69,2 W
- Output (at 230V): 54 units on a single power line

**CARATTERISTICHE FISICHE**

- Signal Connection: 3p+5p in/out
- Power Connection: PowerCON in
- USB: USB port for USB Wi-Fi receiver (optional)
- IP: 30 Protective vent to prevent condensation, dust, compensate pressure
- Cooling: Forced air with low noise fan
- Dimensions (WxHxD): 235x156x301 mm
- Weight: 3,7 kg

*Disegno tecnico**Fig.1*

## 1.3 ELEMENTI DI COMANDO E COLLEGAMENTI



Pannello Posteriore

Fig.2

1. VITE DI FISSAGGIO per la staffa di montaggio.
2. STAFFA DI MONTAGGIO.
3. Universal Serial Bus (USB).
4. DMX OUT (XLR a 3 poli):  
1 = massa, 2 = DMX -, 3 = DMX +.
5. PANNELLO DI CONTROLLO con display e 4 pulsanti per accesso e gestione delle diverse funzioni.
6. DMX IN (XLR a 5 poli):  
1 = massa, 2 = DMX -, 3 = DMX +, 4 N/C, 5 N/C.
7. DMX OUT (XLR a 5 poli):  
1 = massa, 2 = DMX -, 3 = DMX +, 4 N/C, 5 N/C.
8. DMX IN (XLR a 3 poli): 1 = massa, 2 = DMX -, 3 = DMX +.
9. PORTAFUSIBILE: sostituire un fusibile difettoso solo con uno dello stesso tipo (T2A/250V).
10. POWER IN: per il collegamento ad una presa di rete (100-240V~/50-60Hz) tramite il cavo rete in dotazione.
11. POWER OUT: output alimentazione per connessione di più unità in serie.
12. SAFETY RING per l'aggancio al cavo di sicurezza.

## - 2 - INSTALLAZIONE

### 2.1 MONTAGGIO

Il MINIVERSAPAR può essere collocato su un piano solido. Inoltre, grazie alle possibilità di fissaggio sulla doppia staffa (fig.3), l'unità può essere montata anche a testa in giù, su una traversa. Per il fissaggio occorrono dei supporti robusti per il montaggio. L'area di collocazione deve avere una stabilità sufficiente e supportare almeno 10 volte il peso dell'unità.

Inoltre assicurarsi di rispettare tutte le avvertenze in materia di sicurezza.

- Fissare il proiettore attraverso l'apposita staffa (1) ad una collocazione idonea.
- È assolutamente necessario assicurare il proiettore contro la caduta utilizzando un cavo di sicurezza: in particolare collegare il cavo in un punto adatto in modo che la caduta del proiettore non possa superare i 20 cm.
- Orientare il proiettore intervenendo, se necessario, sulla vite di fissaggio (2).

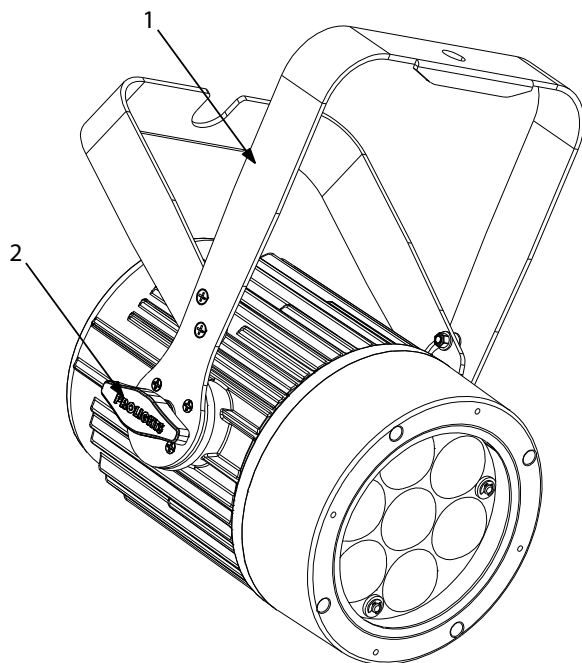


Fig.3

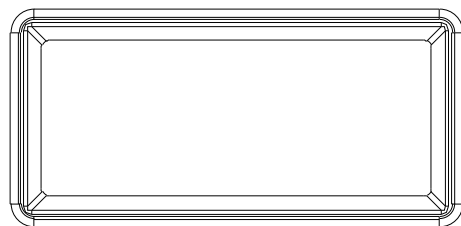
## - 3 - FUNZIONI E IMPOSTAZIONI

### 3.1 FUNZIONAMENTO

Per accendere il MINIVERSAPAR, collegare l'estensione POWER IN al cavo di alimentazione e inserire la spina in una presa di rete (100-240V~/50-60Hz). L'unità può essere comandata da un unità DMX di comando luce oppure svolgere autonomamente il suo programma. Per spegnere il MINIVERSAPAR, staccare la spina dalla presa di rete. Per maggiore comodità è consigliabile collegare l'unità con una presa comandata da un interruttore.

### 3.2 IMPOSTAZIONE BASE

Il MINIVERSAPAR dispone di un black OLED display e 4 pulsanti per accesso alle funzioni del pannello di controllo (fig.4).



**MENU UP DOWN ENTER**

MENU	UP	DOWN	ENTER
Per scorrere il menu principale o tornare ad una opzione del menu precedente	Per scorrere attraverso le diverse funzioni in ordine discendente o aumentare il valore della funzione stessa	Per scorrere attraverso le diverse funzioni in ordine ascendente o diminuire il valore della funzione stessa	Per entrare nel menu selezionato o confermare il valore attuale della funzione o l'opzione all'interno di un menu

Fig.4 - Funzione dei tasti

## 3.3 STRUTTURA MENU

	MENU	
1	<b>5 CH</b>	⇒ 1 - 512
2	<b>6 CH</b>	1 - 512
3	<b>11 CH</b>	1 - 512
4	<b>COLOR</b>	⇒ C 1 C 2 C 3 C 4 C 5 C 6 C 7 C 8 C 9 C 10 C 11 C 12 C 13 C 14 C 15
5	<b>ZOOM</b>	⇒ Zoom (0-255)
6	<b>PROGRAMS</b>	⇒ P 1 P 2 P 3 P 4
7	<b>SPEED</b>	⇒ S (1 - 100)
8	<b>SOUND</b>	⇒ Snd 1 Snd 2
9	<b>SENS</b>	⇒ U (1 - 100)
10	<b>U</b>	⇒ R (0 - 255) G (0 - 255) B (0 - 255) W (0 - 255)
11	<b>DIMMER MODE</b>	⇒ Off Dimmer 1 Dimmer 2 Dimmer 3
12	<b>TEMP</b>	⇒ 65°



### 3. 4 COLLEGAMENTO

1. Collegare l'uscita DMX OUT dell'unità principale con l'ingresso DMX IN della prima unità secondaria servendosi di un cavo XLR a 3 o 5 poli.
2. Collegare l'uscita DMX OUT della prima unità secondaria con l'ingresso DMX IN della seconda unità secondaria ecc.

### 3. 5 MODALITÀ DMX

- Per poter entrare nella modalità DMX, premere il tasto MENU fino a quando sul display non appare **5 Ch**, **6 Ch** o **11 Ch**, quindi premere ENTER per confermare.
- Utilizzare i tasti UP/DOWN per impostare l'indirizzo DMX desiderato **001 - 512**. Tenere premuto per lo scorrimento veloce.
- Premere ENTER per confermare.

Le tabelle a pagina 16 indicano le modalità di funzionamento e i relativi valori DMX. Come interfaccia DMX, l'unità possiede dei contatti XLR a 3 e 5 poli.

### 3. 6 INDIRIZZAMENTO DMX

Per poter comandare il MINIVERSAPAR con un'unità di comando luce, occorre impostare l'indirizzo di start DMX per il primo canale DMX. Se, per esempio, sull'unità di comando è previsto l'indirizzo 33 per comandare la funzione del primo canale DMX, si deve impostare sul MINIVERSAPAR l'indirizzo di start 33. Le altre funzioni del pannello saranno assegnate automaticamente agli indirizzi successivi. Segue un esempio con indirizzo 33 di start:

Numero canali DMX	Indirizzo di start (esempio)	Indirizzo DMX occupati	Prossimo indirizzo di start possibile per unità n°1	Prossimo indirizzo di start possibile per unità n°2	Prossimo indirizzo di start possibile per unità n°3
5	33	33-37	38	43	48

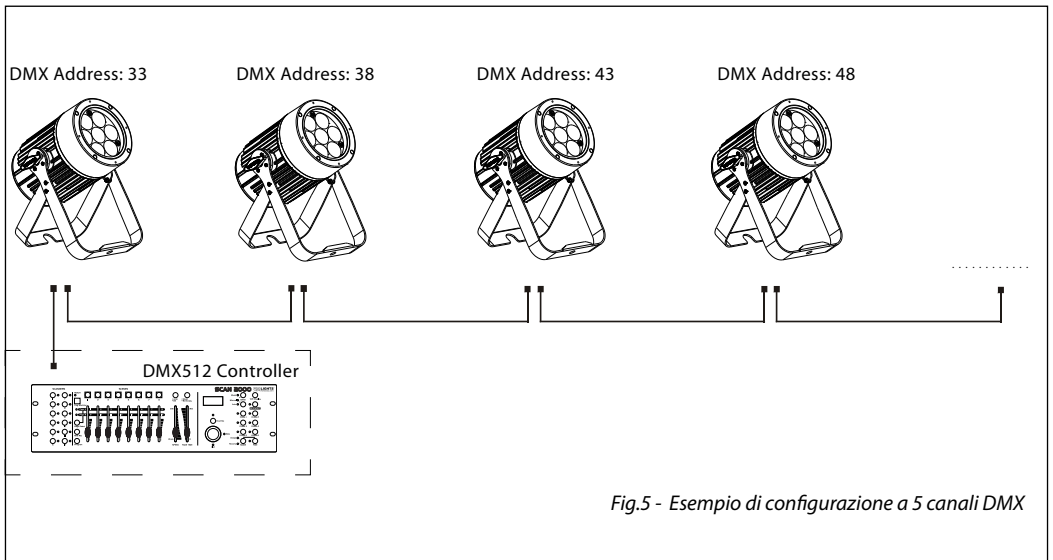


Fig.5 - Esempio di configurazione a 5 canali DMX

### 3. 7 COLOR

Se alla presa DMX non è presente alcun segnale di comando DMX, l'unità può svolgere il suo programma Show autonomamente:

- Premere il tasto MENU fino a quando sul display non appare **Color**, quindi premere il tasto ENTER per confermare la scelta.
- Premere il tasto UP/DOWN per scorrere al programma desiderato **C 1, ... , C 15**, e premere il tasto ENTER per confermare la scelta.

L'unità entrerà in modalità automatica mandando in esecuzione il programma selezionato

### 3. 8 MODALITÀ AUTOMATICA

Per entrare nella modalità automatica e permettere all'unità di svolgere il suo programma Show autonomamente:

- Premere il tasto MENU fino a quando sul display non appare **P--**.
- Usare i tasti UP/DOWN per selezionare il programma **P1 - P4**
- L'unità entrerà nella modalità automatica mandando in esecuzione il programma pre-impostato per il quale è possibile regolare la velocità di esecuzione.
- Per impostare la velocità di esecuzione premere il tasto MENU fino a quando sul display non appare **S--**, quindi utilizzare i tasti UP/DOWN per selezionare la velocità di esecuzione desiderata **S001 - S100** (Slow-Fast). Premere il tasto ENTER per salvare l'impostazione.
- Premere il tasto MENU per tornare indietro o attendere alcuni secondi per uscire dal menu di impostazione.

### 3. 9 MODALITÀ MUSICALE

Nella modalità musicale l'unità può essere comandata tramite la musica. In presenza di segnale musicale, con un determinato ritmo nei bassi e con volume sufficiente, tramite il microfono si comanda il MINIVERSAPAR. Se il comando musicale non dovesse funzionare perfettamente, aumentare il volume o ridurre la distanza fra sorgente audio e l'unità oppure alternativamente aumentare la sensibilità del microfono.

- Per entrare nella modalità musicale, premere il tasto MENU fino a quando sul display non appare **Snd**.
- Utilizzare i tasti UP/DOWN per selezionare la modalità desiderata tra **Snd1** e **Snd2** e premere ENTER.
- È possibile regolare la sensibilità del microfono integrato premendo MENU fino a quando sul display non appare **Sens**.
- Premere il tasto UP/DOWN per impostare il valore desiderato **u0-u100** e premere il tasto ENTER.

### 3. 10 MANUAL COLOR

Per impostare il bilanciamento personalizzato dei colori:

- Premere il tasto MENU fino a quando sul display non appare **U--**, quindi premere il tasto ENTER.
- Selezionare il colore **R, G, B, W** attraverso i tasti UP/DOWN, quindi premere il tasto ENTER.
- Utilizzare i tasti UP/DOWN per impostare il valore desiderato **000 - 255**.
- Premere il tasto ENTER per continuare e passare al successivo colore **R, G, B, W**.
- Continuare fino ad ottenere la miscelazione del colore.
- Premere il tasto MENU per tornare indietro o attendere alcuni secondi per uscire dal menu di impostazione.

### 3. 11 FUNZIONE DIMMER

- Per entrare nella modalità dimmer e scegliere e simulare diverse curve dimming, premere il tasto MENU ripetutamente fino a quando sul display non compare **dim**, quindi premere il tasto ENTER.
- Premere il tasto UP/DOWN per selezionare **OFF - dim1 - dim2 - dim3**. Premere il tasto ENTER per confermare.
- Premere il tasto MENU per tornare indietro o attendere alcuni secondi per uscire dal menu di impostazione.

### 3. 12 TEMPERATURA UNITÀ

Per visualizzare la temperatura dell'unità, premere il tasto MENU fino a quando sul display non appare **TEMP**, quindi premere il tasto ENTER.

## 3.13 CANALI DMX

## 5 CANALI

MODE 5 Ch	FUNCTION	DMX Value
1	<b>RED</b> 0~100%	000 - 255
2	<b>GREEN</b> 0~100%	000 - 255
3	<b>BLUE</b> 0~100%	000 - 255
4	<b>WHITE</b> 0~100%	000 - 255
5	<b>ZOOM</b> 0~100%	000 - 255

## 6 CANALI

MODE 6 Ch	FUNCTION	DMX Value
1	<b>DIMMER</b> 0~100%	000 - 255
2	<b>RED</b> 0~100%	000 - 255
3	<b>GREEN</b> 0~100%	000 - 255
4	<b>BLUE</b> 0~100%	000 - 255
5	<b>WHITE</b> 0~100%	000 - 255
6	<b>STROBE</b> No Function Slow to fast	000 - 010 011 - 255

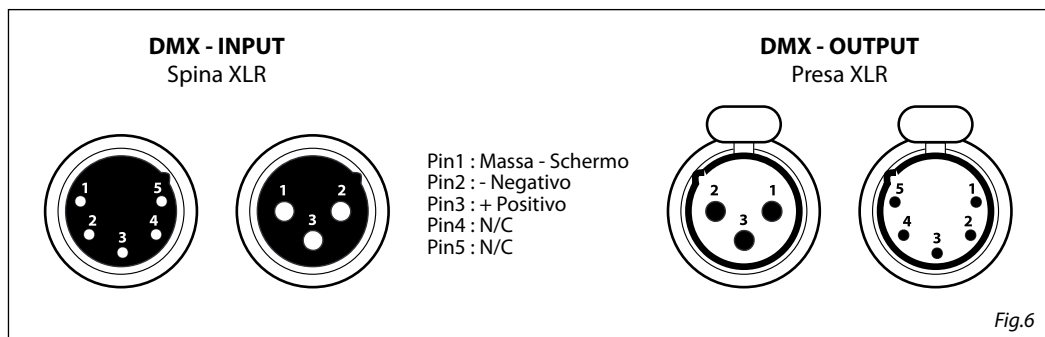
## 11 CANALI

MODE 11 Ch	FUNCTION	DMX Value
1	<b>DIMMER</b> 0~100%	000 - 255
2	<b>RED</b> 0~100%	000 - 255
3	<b>GREEN</b> 0~100%	000 - 255
4	<b>BLUE</b> 0~100%	000 - 255
5	<b>WHITE</b> 0~100%	000 - 255
6	<b>COLOR</b> No Function Color Macros	000 - 015 016 - 255
7	<b>STROBE</b> No Function Slow to fast	000 - 010 011 - 255
8	<b>PROGRAMS</b> No Function 0-100% 100%-0 100% -0-100% Colors Fade 4Colors snap 15Colors snap Sound Control	000 - 031 032 - 063 064 - 095 096 - 127 128 - 159 160 - 191 192 - 223 224 - 255
	<b>PROGRAMS SPEED</b> Speed slow to fast	000 - 255
9	<b>SOUND SENSITIVITY</b> Sound sensitivity OFF Control the sound sensitivity	000 - 010 011 - 255
10	<b>DIMMER MODE</b> Preset dimmer speed from display menu Dimmer speed mode off Dimmer speed mode1 (fast speed) Dimmer speed mode2 (middle speed) Dimmer speed mode3 (slow speed)	000 - 051 052 - 101 102 - 152 153 - 203 204 - 255
11	<b>ZOOM</b> 0~100%	000 - 255

### 3.14 COLLEGAMENTI DELLA LINEA DMX

La connessione DMX è realizzata con connettori standard XLR. Utilizzare cavi schermati, 2 poli ritorti, con impedenza 120Ω e bassa capacità.

Per il collegamento fare riferimento allo schema di connessione riportato di seguito:



#### ATTENZIONE

La parte schermata del cavo (calza) non deve mai essere collegata alla terra dell'impianto; ciò comporterebbe malfunzionamenti delle unità e dei controller.

Per passaggi lunghi può essere necessario l'inserimento di un amplificatore DMX.

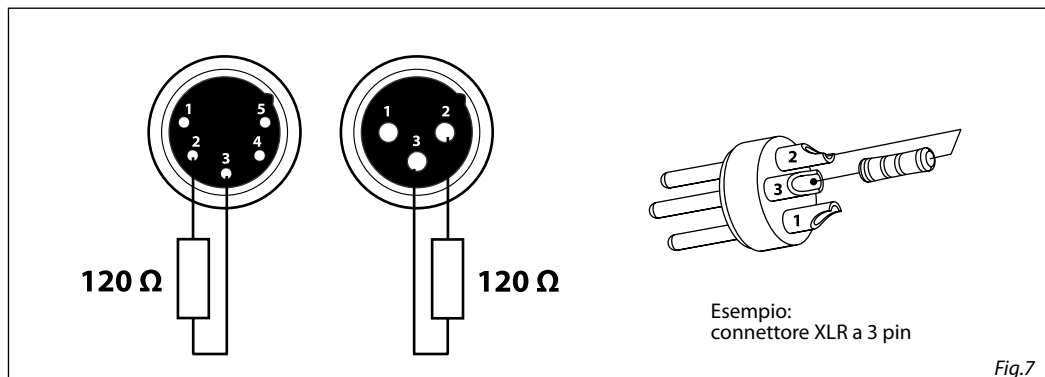
In tal caso, è sconsigliato utilizzare nei collegamenti cavo bilanciato microfonico poiché non è in grado di trasmettere in modo affidabile i dati di controllo DMX.

- Collegare l'uscita DMX del controller con l'ingresso DMX della prima unità;
- Collegare, quindi, l'uscita DMX con l'ingresso DMX della successiva unità; l'uscita di quest'ultima con l'ingresso di quella successiva e via dicendo finché tutte le unità sono collegate formando una catena.
- Per installazioni in cui il cavo di segnale deve percorrere lunghe distanze è consigliato inserire sull'ultima unità una terminazione DMX.

### 3.15 COSTRUZIONE DEL TERMINATORE DMX

La terminazione evita la probabilità che il segnale DMX 512, una volta raggiunta la fine della linea stessa venga riflesso indietro lungo il cavo, provocando, in certe condizioni e lunghezze, la sua sovrapposizione al segnale originale e la sua cancellazione.

La terminazione deve essere effettuata, sull'ultima unità della catena, con connettori XLR a 3/5 pin, saldando una resistenza di 120Ω (minimo 1/4W) tra i terminali 2 e 3, così come indicato in figura.



## - 4 - MANUTENZIONE

### 4.1 MANUTENZIONE E PULIZIA DEL SISTEMA OTTICO

- Durante gli interventi, assicurarsi che l'area sotto il luogo di installazione sia libera da personale non qualificato.
- Spegnerne l'unità, scollegare il cavo di alimentazione ed aspettare finché l'unità non si sia raffreddata.
- Tutte le viti utilizzate per l'installazione dell'unità e le sue parti devono essere assicurate saldamente e non devono essere corrose.
- Alloggiamenti, elementi di fissaggio e di installazione (soffitto, truss, sospensioni) devono essere totalmente esenti da qualsiasi deformazione.
- I cavi di alimentazione devono essere in condizione impeccabile e devono essere sostituiti immediatamente nel momento in cui anche un piccolo problema viene rilevato.
- Si dovrebbe procedere, ad intervalli regolari, alla pulizia della parte frontale per asportare polvere, fumo e altre particelle. Solo così, la luce può essere irradiata con la luminosità massima. Per la pulizia usare un panno morbido, pulito e un detergente per vetri come si trovano in commercio. Quindi asciugare le parti delicatamente.

### 4.2 SOSTITUZIONE FUSIBILE

1. Assicurarsi di scollegare il cavo di alimentazione del modulo prima di sostituire un fusibile bruciato con uno dello stesso tipo (T2A/250V).
2. Con un cacciavite, rimuovere il portafusibile (fig.8) dalla sua sede e il fusibile bruciato dal suo supporto; sostituire il fusibile con uno identico per tipologia e valore.
3. Inserire il portafusibile al suo posto e ricollegare l'alimentazione.

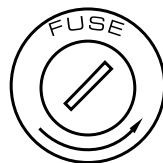
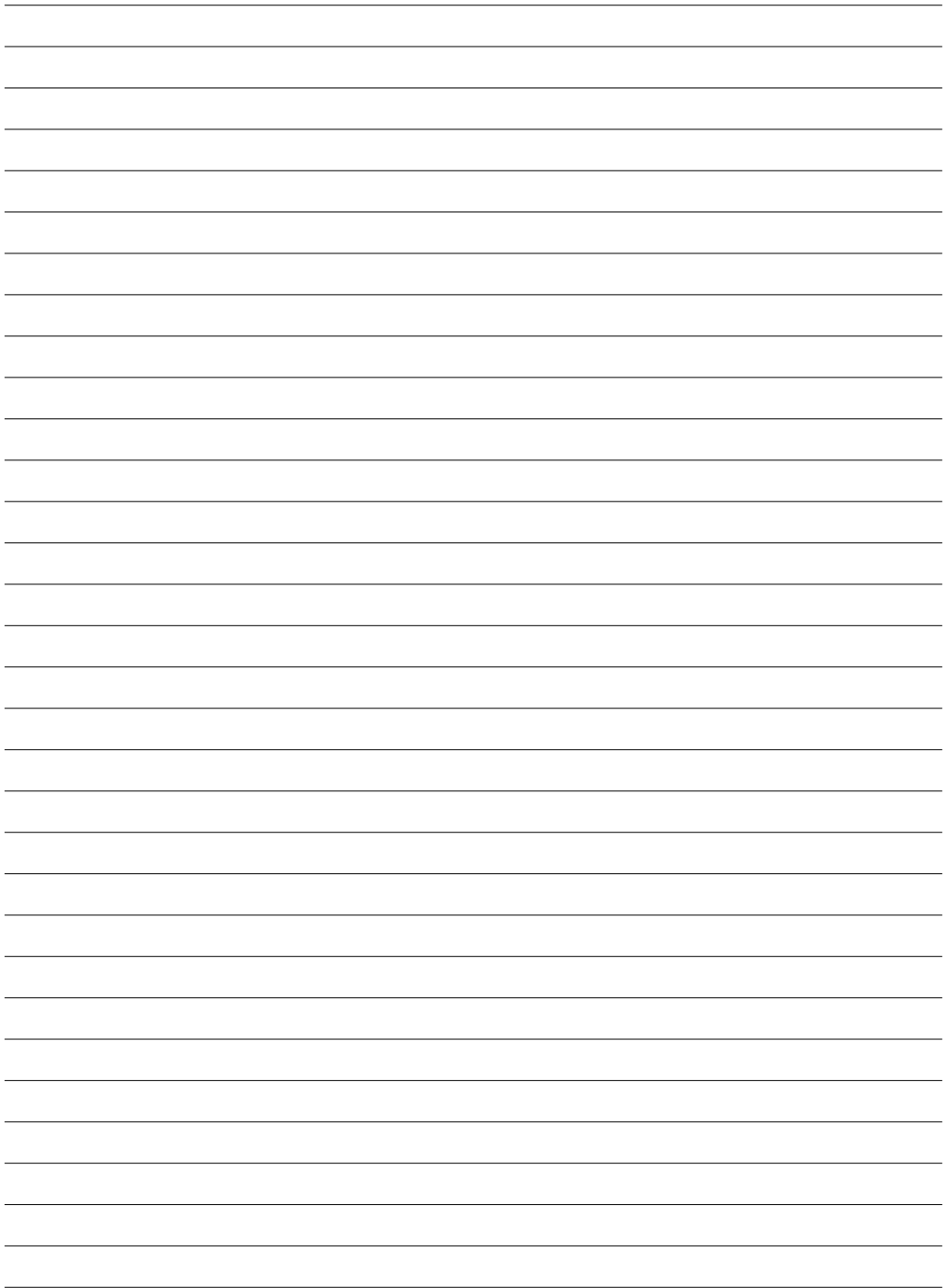


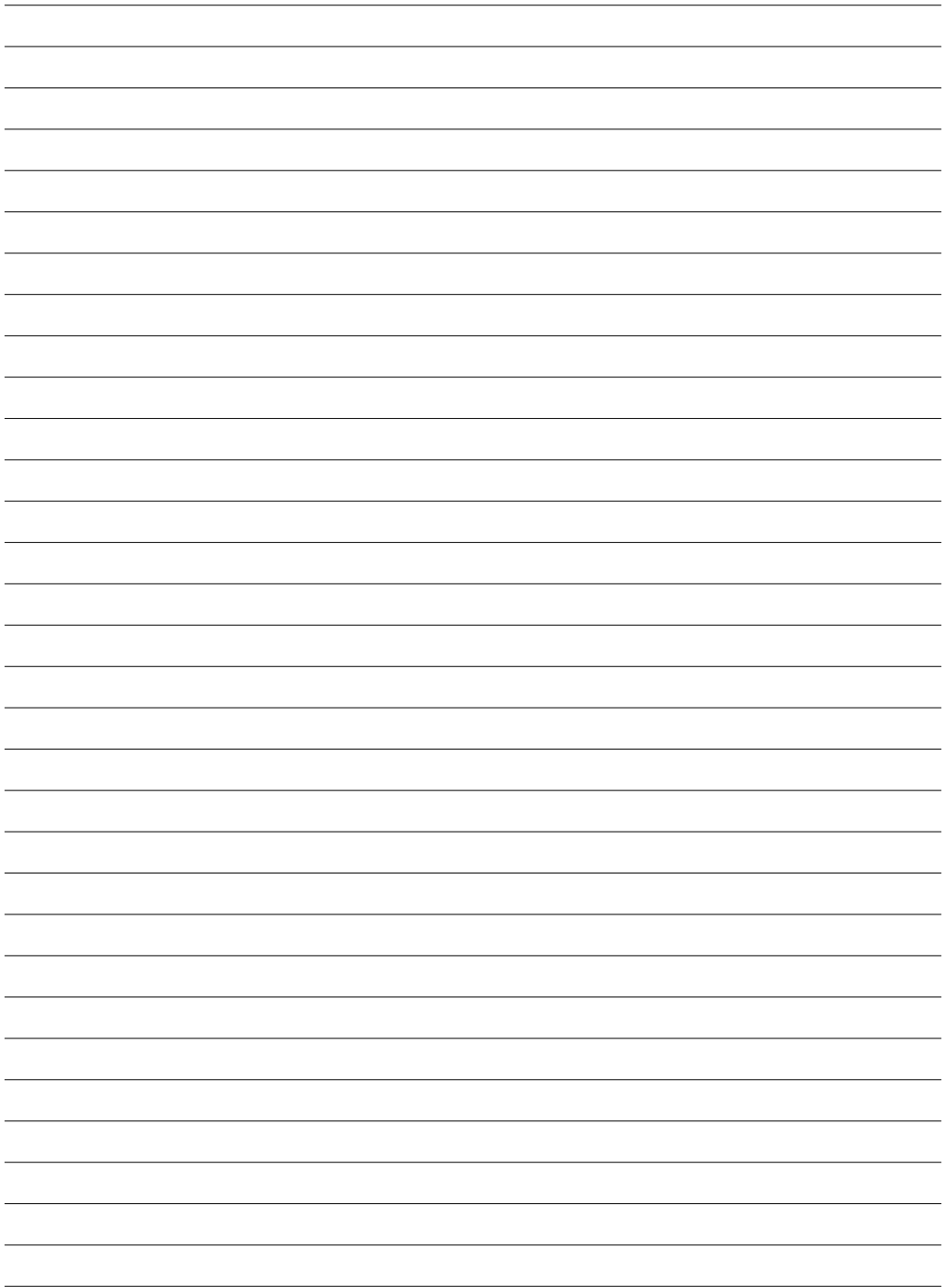
Fig.8

### 4.3 RISOLUZIONE DEI PROBLEMI

Anomalie	Possibili cause	Controlli e rimedi
Il dispositivo non illumina	<ul style="list-style-type: none"> <li>• Mancanza di alimentazione di rete</li> <li>• Dimmer impostato a 0</li> <li>• Tutti i colori impostati a 0</li> <li>• LED difettoso/i</li> <li>• Scheda LED difettosa</li> </ul>	<ul style="list-style-type: none"> <li>• Verificare la presenza della tensione alimentazione</li> <li>• Incrementare i valori del canale dimmer</li> <li>• Incrementare i valori dei canali colori</li> <li>• Sostituire scheda LED</li> <li>• Sostituire scheda LED</li> </ul>
Bassa intensità di luce generale	<ul style="list-style-type: none"> <li>• Lenti sporche</li> </ul>	<ul style="list-style-type: none"> <li>• Pulire il dispositivo regolarmente</li> </ul>
Il dispositivo non è alimentato	<ul style="list-style-type: none"> <li>• Mancanza di alimentazione di rete</li> <li>• Cavo di alimentazione danneggiato</li> <li>• Alimentatore interno difettoso</li> </ul>	<ul style="list-style-type: none"> <li>• Verificare la presenza della tensione alimentazione</li> <li>• Controllare il cavo di alimentazione</li> <li>• Sostituire l'alimentatore interno</li> </ul>
Il dispositivo non risponde al DMX	<ul style="list-style-type: none"> <li>• Indirizzamento DMX errato</li> <li>• Cavo di segnale DMX difettoso</li> <li>• Rimbalzo segnale DMX</li> </ul>	<ul style="list-style-type: none"> <li>• Controllare il pannello di controllo e l'indirizzamento delle unità</li> <li>• Controllare il cavo di segnale DMX</li> <li>• Installare una terminazione DMX come suggerito</li> </ul>

Rivolgersi a un centro di assistenza tecnico autorizzato in caso di problema non riportato in tabella o che non possono essere risolti mediante la procedura riportata in tabella.







©2019 Music & Lights S.r.l.

TRIBE is a brand of Music & Lights S.r.l. company.

TRIBE è un brand di proprietà della Music & Lights S.r.l.