



# EclFresnel JrVW

# EclFresnel JrVWPO

150W Variable White LED Mini Fresnel (2,700K - 5,600K), with manual zoom 16° - 60°



---

## USER MANUAL

---

## ***Thank you for choosing PROLIGHTS***

Please note that every PROLIGHTS product has been designed in Italy to meet quality and performance requirements for professionals and designed and manufactured for the use and application as shown in this document.

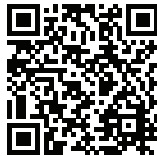
Any other use, if not expressly indicated, could compromise the good condition/operation of the product and/or be a source of danger.

This product is meant for professional use. Therefore, commercial use of this equipment is subject to the respectively applicable national accident prevention rules and regulations.

Features, specifications and appearance are subject to change without notice. Music & Lights S.r.l. and all affiliated companies disclaim liability for any injury, damage, direct or indirect loss, consequential or economic loss or any other loss occasioned by the use of, inability to use or reliance on the information contained in this document.

Product user manual can be downloaded from the website [www.prolights.it](http://www.prolights.it), or can be inquired to the official PROLIGHTS distributors of your territory ([https://www.prolights.it/sales\\_network.html](https://www.prolights.it/sales_network.html)).

Scanning the below **QR Code**, you will access the download area of the product page, where you can find a broad set of always updated technical documentation: specifications, user manual, technical drawings, photometrics, personalities, fixture firmware updates.



Visit the download area  
of the product page



The PROLIGHTS Logo, PROLIGHTS names and all other trademark in this document pertaining to PROLIGHTS services or PROLIGHTS product are trademarks OWNED or licensed by Music & Lights S.r.l., its affiliates, and subsidiaries. PROLIGHTS is a registered trademark by Music & Lights S.r.l. All right reserved. Music & Lights – Via A. Olivetti, snc - 04026 - Minturno (LT) ITALY.

# INDEX

<b>SAFETY INFORMATION</b>	<b>02</b>
<b>1 - PACKAGING</b>	<b>05</b>
PACKAGE CONTENT .....	05
OPTIONAL ACCESSORIES .....	05
<b>2 - TECHNICAL DRAWING</b>	<b>06</b>
<b>3 - INSTALLATION</b>	<b>08</b>
MOUNTING .....	08
<b>4 - CONNECTION TO THE MAINS SUPPLY</b>	<b>09</b>
<b>5 - START UP</b>	<b>09</b>
CONNECT AND DISCONNECT POWER FROM THE PRODUCT .....	09
<b>6 - PRODUCT OVERVIEW</b>	<b>10</b>
<b>7 - DMX CONNECTION</b>	<b>11</b>
CONNECTION OF THE CONTROL SIGNAL: DMX LINE .....	11
INSTRUCTIONS FOR A RELIABLE DMX CONNECTION .....	11
CONNECTION DAISY CHAIN .....	11
CONNECTION OF THE DMX LINE .....	11
CONSTRUCTION OF THE DMX TERMINATION .....	12
DMX ADDRESSING .....	12
<b>8 - CONTROL PANEL</b>	<b>13</b>
DISPLAY AND BUTTONS LAYOUT .....	13
<b>9 - MENU STRUCTURE</b>	<b>14</b>
<b>10 - RDM FUNCTIONS</b>	<b>17</b>
<b>11 - SHORTCUTS</b>	<b>18</b>
<b>12 - ERRORS</b>	<b>18</b>
<b>13 - DMX CHARTS</b>	<b>19</b>
<b>14 - ACCESSORIES INSTALLATION</b>	<b>21</b>
FILTER FRAME (CODE ECLFRSJTPG - OPTIONAL) .....	21
BARN DOOR (CODE ECLFRSJBD - OPTIONAL) .....	22
BATTERY PACK KIT (CODE ECLFRSJBP4 - OPTIONAL) .....	23
<b>15 - MAINTENANCE</b>	<b>24</b>
MAINTENANCE AND CLEANING THE PRODUCT .....	24
REPLACING THE FUSE .....	24
VISUAL CHECK OF PRODUCT HOUSING .....	24
TROUBLESHOOTING .....	25

# SAFETY INFORMATION



## WARNING!

- Please read carefully the instruction reported in this section before installing, powering, operating or servicing the product and observe the indications also for its future handling.



**This unit is not for household use, only professional applications.**



## Connection to mains supply

- The Connection to the mains supply must be carried out by a qualified electrical installer.
- Use only AC supplies 100-240V 50-60 Hz, the fixture must be electrically connected to ground (earth).
- Select the cable cross section in according with the maximum current draw of the product and the possible number of products connected at the same power line.
- The AC mains power distribution circuit must be equipped with magnetic+residual current circuit breaker protection.
- Do not connect it to a dimmer system; doing so may damage the product.



## Protection and Warning against electrical shock

- Do not remove any cover from the product, always disconnect the product from AC power before servicing.
- Ensure that the fixture is electrically connected to ground (earth). And use only a source of AC power that complies with local building and electrical codes and has both overload and ground-fault (earth-fault) protection.
- Before using the fixture, check that all power distribution equipment and cables are in perfect condition and rated for the current requirements of all connected devices.
- Isolate the fixture from power immediately if the power plug or any seal, cover, cable, or other components are damaged, defective, deformed or showing signs of overheating.
- Do not reapply power until repairs have been completed.
- Refer any service operation not described in this manual to PROLIGHTS Service team or an authorized PROLIGHTS service center.



## Installation

- Make sure that all visible parts of the product are in good visible condition before its use or installation.
- Make sure the point of anchorage is stable before positioning the projector.
- When suspending the fixture above ground level, secure it against failure of primary attachments by attaching a safety cable that is approved as a safety attachment for the weight of the fixture to the attachment point on the main frame of the product. In case the safety cable, enter in action, it needs to be replaced with a new one.
- Install the product only in well ventilated places.
- For non temporary installations, ensure that the fixture is securely fastened to a load-bearing surface with suitable corrosion-resistant hardware.
- For a temporary installation with clamps, ensure that the quarter-turn fastener and/or screws are turned fully, and secured with a suitable safety cable.



## Minimum distance of illuminated objects

- The projector needs to be positioned so that the objects hit by the beam of light are at least 0.5 meters (1.64 ft) from the lens of the projector.

**T<sub>a</sub>45°C**

## Max operating ambient temperature (T<sub>a</sub>)

- Do not operate the fixture if the ambient temperature (T<sub>a</sub>) exceeds 45 °C (113 °F).

$T_a -10^{\circ}\text{C}$

### Minimum operating ambient temperature ( $T_a$ )

- Do not operate the fixture if the ambient temperature ( $T_a$ ) is below  $-10^{\circ}\text{C}$  ( $14^{\circ}\text{F}$ ).



### Protection from burns and fire

- The exterior of the fixture becomes hot during use. Avoid contact by persons and materials.
- Ensure that there is free and unobstructed airflow around the fixture.
- Keep flammable materials well away from the fixture
- Do not expose the front glass to sunlight or any other strong light source from any angle. Lenses can focus the sun's rays inside the fixture, creating a potential fire hazard.
- Do not attempt to bypass thermostatic switches or fuses.



### Indoor use

- This product is designed for indoor and dry environments.
- Do not use in wet location and do not expose the fixture to rain or moisture.
- Never use the fixture in places subject to vibrations or bumps.
- Make certain that no inflammable liquids, water or metal objects enter the fixture.
- Excessive dust, smoke fluid, and particle build up degrades performance, causes overheating and will damage the fixture.
- Damages caused by inadequate cleaning or maintenance are not covered by the product warranty.

$T_c 60^{\circ}\text{C}$

### Temperature of the external surface

- The surface of the fixture can reach up to  $60^{\circ}\text{C}$  ( $140^{\circ}\text{F}$ ) during operation. Avoid contact with people and materials.



### Maintenance

- Warning! Disconnect the fixture from AC mains power and allow to cool for at least 10 minutes before handling.
- Only technicians who are authorized by PROLIGHTS or Authorised service partners are permitted to open the fixture.
- Users may carry out external cleaning, following the warnings and instructions provided, but any service operation not described in this manual must be referred to a qualified service technician.
- Important! Excessive dust, smoke fluid, and particle build up degrades performance, causes overheating and will damage the fixture. Damages caused by inadequate cleaning or maintenance is not covered by the product warranty.



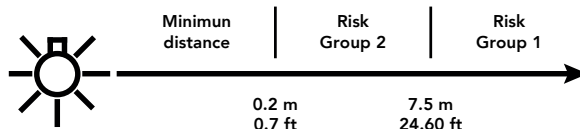
### Photobiological safety

- This device emits potentially dangerous optical radiation and is identified in the category of Risk Group 2 according to EN 62471.



### Do not stare at the operating light source

- Do not look directly at the LED source during operation. It can be harmful to the eyes and skin.
- During Installation, operation and maintenance, be prepared for the fixture to light and move suddenly when connected to power.
- The device should be positioned so that prolonged staring into the luminaire at a distance closer than 7.5 m (24.60 ft) is not expected.





#### **Disposal**

- This product is supplied in compliance with European Directive 2012/19/EU – Waste Electrical and Electronic Equipment (WEEE). To preserve the environment please dispose/ recycle this product at the end of its life according to the local regulation.



#### **The products to which this manual refers comply with:**

- 2014/35/EU - Safety of electrical equipment supplied at low voltage (LVD).
- 2014/30/EU - Electromagnetic Compatibility (EMC).
- 2011/65/EU - Restriction of the use of certain hazardous substances (RoHS).



#### **Other approvals**

- The product meets the safety requirements of the certification procedures of the market in which it is placed and sold.



# 1 - PACKAGING

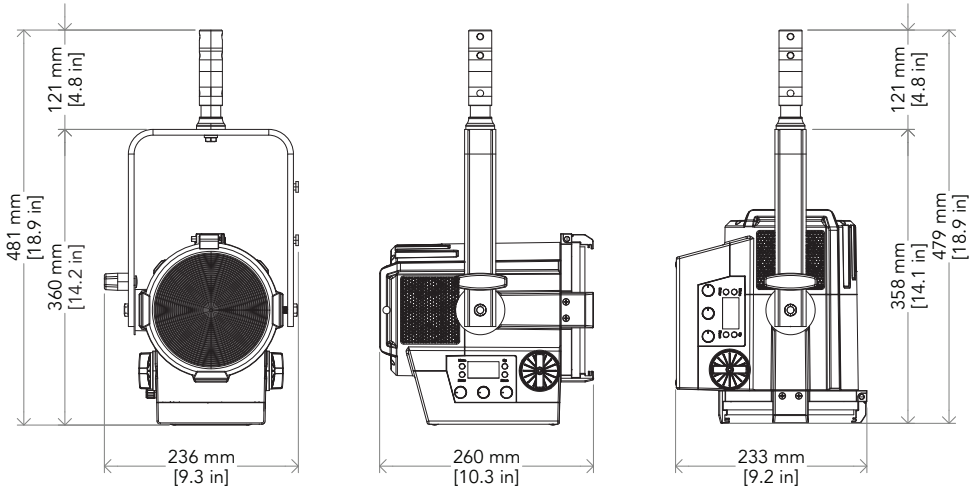
## PACKAGE CONTENT

- 1x ECLFRESNELJVW/ VWPO;
- 1x 1,5 meters power cable (BARE END - NEUTRIK POWERCON TRUE1);
- 1x ECLFRSPG: spigot for PROLIGHTS Fresnel series;
- 1x ECLFRSJB: barn door with 8 directional flaps to adjust the light beam;
- 1x ECLFRSJTPG: filter frame for ECLFRESNELJ series;
- User Manual.

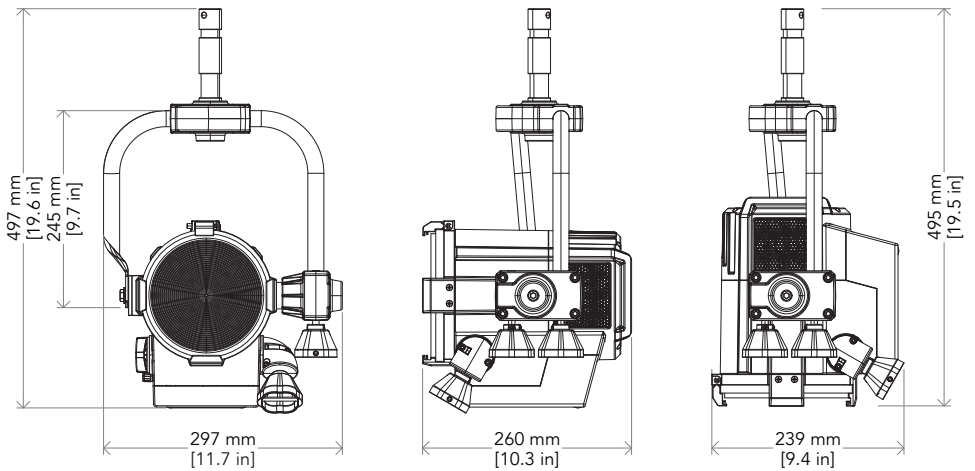
## OPTIONAL ACCESSORIES

- TOUR53415L03: dmx cable HC5340. CANC5MXX XLR 5p->CANC5FXX XLR (f) 5p, L.3m;
- 958225L03: 3x2.5mm TH07 Cable, 16A 3p PwCon MXW, 16A 3p PwCon FXW, L. 3m;
- 9513FXWL03: ass. 3x2.5mm TH07 cable, 16A 3p 230V CEE plug, MENAC3FXW socket, L.5 m;
- 9533FXWL03: ass. 3x2.5mm TH07 cable, SCHUKO plug, MENAC3FXW socket, L.3m;
- RSR0630A/B: steel security cable for hanging bodies, inox steel shackle, L=60 cm, silver/black;
- C6002: slim aluminium clamp, 200 kg loading, 48-51 mm tubes, M10 bolt;
- C6040: heavy-load aluminum clamp, 200kg load, 48-51mm tubes, M10 bolt inc.;
- ECLFRSJB4: battery pack kit for EclFresnelJ series;
- ECLFRSJB4WH: barn door with directional flaps for white housing fixtures;
- SPGM10: 28mm spigot for fixtures, M10 bolt;
- SPGM12: 28mm spigot for fixtures, M12 bolt;
- UPBOX1U: firmware uploader kit, USB IN, 3p XLR DMX OUT.

## 2 - TECHNICAL DRAWING



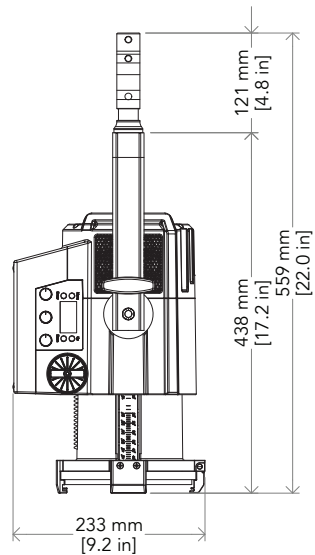
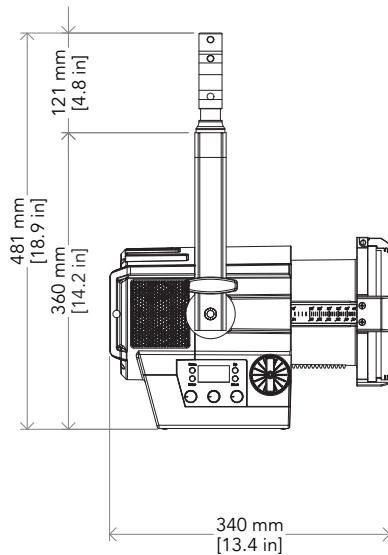
ECLFRESNELTU-DY - Weight: 6 kg / 13.2 lbs



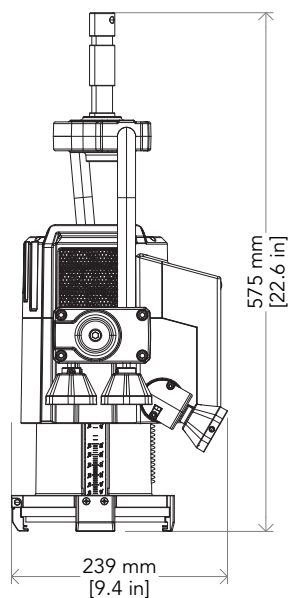
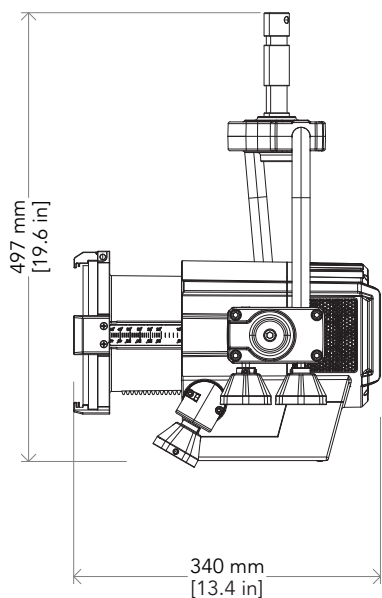
ECLFRESNELPTU-PDY - Weight: 7.5 kg - 16.5 lbs

Fig. 01





ECLFRESNELTU-DY - Weight: 6 kg / 13.22 lbs



ECLFRESNELPTU-PDY - Weight: 7.5 kg - 16.5 lbs

Fig. 02

### 3 - INSTALLATION

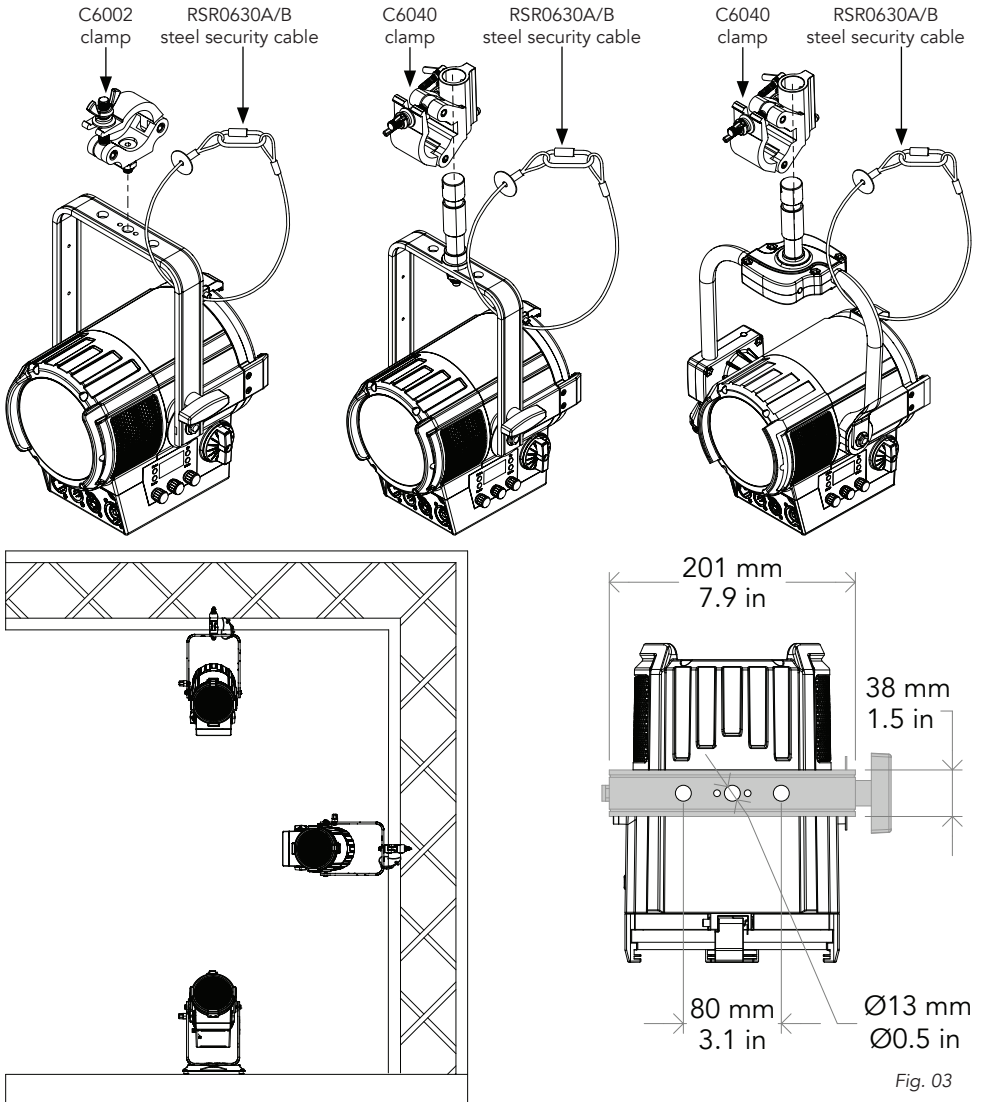
#### MOUNTING

Check that the supporting structure can safely bear the weight of all installed fixtures, clamps, cables, auxiliary equipment, etc. and complies with locally applicable regulations.

When suspending the fixture above ground level, secure it against failure of primary attachments by attaching a safety wire that is approved as a safety attachment for the weight of the fixture to an anchor point on the product main frame.

Do not use removable parts or weak anchors for secondary attachment.

Warning! When clamping the fixture to a truss or other structure at any angle, use clamps of half-coupler type. Do not use any type of clamp that does not completely encircle the structure when fastened.




## 4 - CONNECTION TO THE MAINS SUPPLY

**WARNING:** For protection from electric shock, the fixture must be earthed!

The product is equipped with auto-switching power supply that automatically adjusts to any 50-60Hz AC power source from 100-240 Volts.

If you need to install a power plug on the power cable to allow connection to power outlets, install a grounding-type (earthed) plug, following the plug manufacturer's instructions. If you have any doubts about proper installation, consult a qualified electrician.

The max power consumption is 125W.

Core (EU)	Core (US)	Connection	Plug terminal marking
Brown	Black	Live	L
Blue	White	Neutral	N
Yellow+green	Green	Earth	

## 5 - START UP

### CONNECT AND DISCONNECT POWER FROM THE PRODUCT

To apply and disconnect power to the product:

- Check that the product is installed and secured as indicated in the Safety Informations, and that personal safety will not be put at risk when the fixture lights up.
- Connect the power connector into the Mains input socket (100-240 VAC-50/60 Hz).
- The product is then ready for its operations and can be controlled through the available input signals on board.
- To disconnect power from the product, disconnect the Mains from the socket.

## 6 - PRODUCT OVERVIEW

1. BRACKET;
2. KNOB for bracket;
3. USER INTERFACE with display and ROTATORY KNOB for access to the control panel functions;
4. ZOOM KNOB;
5. POLE OPERATED BRACKET;
6. YELLOW KNOB: zoom function;
7. WHITE KNOB: tilt function;
8. BLUE KNOB: pan function;
9. BATTERY 4pin-in;
- 10.POWER IN: for connection to the Mains 100-240V~/50-60Hz;
- 11.DMX IN (5-p XLR): 1 = GND, 2 = sign-, 3 = sign+, 4 N/C, 5 N/C;
- 12.DMX OUT (5-p XLR): 1 = GND, 2 = sign-, 3 = sign+, 4 N/C, 5 N/C;
- 13.POWER OUT: power output for connection of multiple units in series.
- 14.MAIN FUSE HOLDER: replace a burnt-out fuse by one of the same type only (T2A 250V);

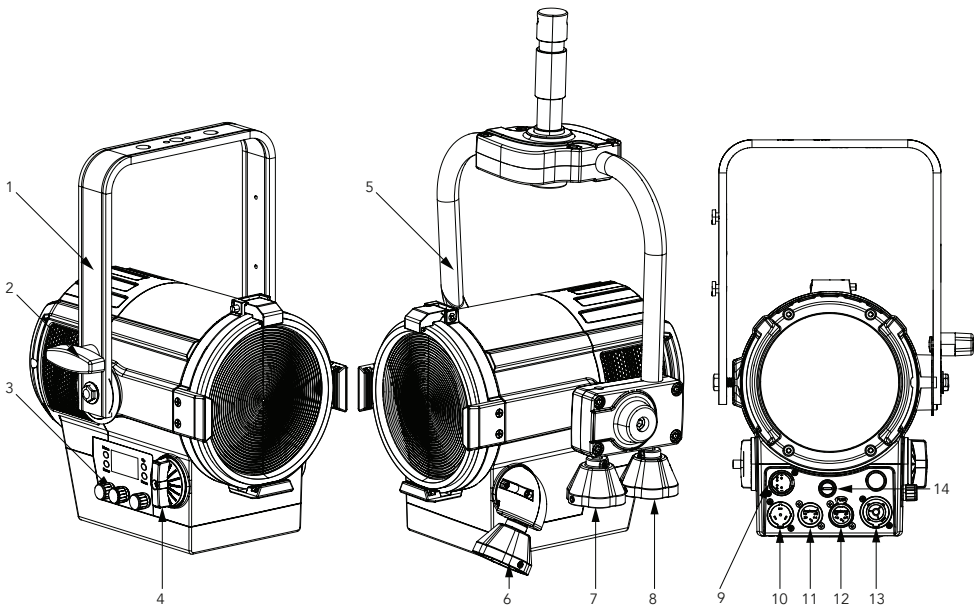


Fig. 04

# 7 - DMX CONNECTION

## CONNECTION OF THE CONTROL SIGNAL: DMX LINE

The product has XLR sockets for DMX input and output.  
The default pin-out on both socket is as the following diagram:

### DMX - INPUT XLR plug



- Pin1 : GND - Shield
- Pin2 : - Signal
- Pin3 : + Signal
- Pin4 : N/C
- Pin5 : N/C

### DMX - OUTPUT XLR socket

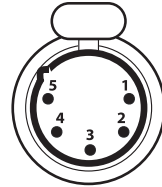


Fig. 05

## INSTRUCTIONS FOR A RELIABLE DMX CONNECTION

Use shielded twisted-pair cable designed for RS-485 devices: standard microphone cable cannot transmit control data reliably over long runs. 24 AWG cable is suitable for runs up to 300 meters (1000 ft). Heavier gauge cable and/or an amplifier is recommended for longer runs.  
To split the data link into branches, use splitter-amplifiers in the connection line.  
Do not overload the link. Up to 32 devices may be connected on a serial link.

## CONNECTION DAISY CHAIN

Connect the DMX data output from the DMX source to the product DMX input (male connector XLR) socket.  
Run the data link from the product XLR output (female connector XLR) socket to the DMX input of the next fixture.  
Terminate the data link by connecting a 120 Ohm signal termination. If a splitter is used, terminate each branch of the link.  
Install a DMX termination plug on the last fixture on the link.

## CONNECTION OF THE DMX LINE

DMX connection employs standard XLR connectors. Use shielded pair-twisted cables with 120Ω impedance and low capacity.  
The following diagram shows the connection mode:

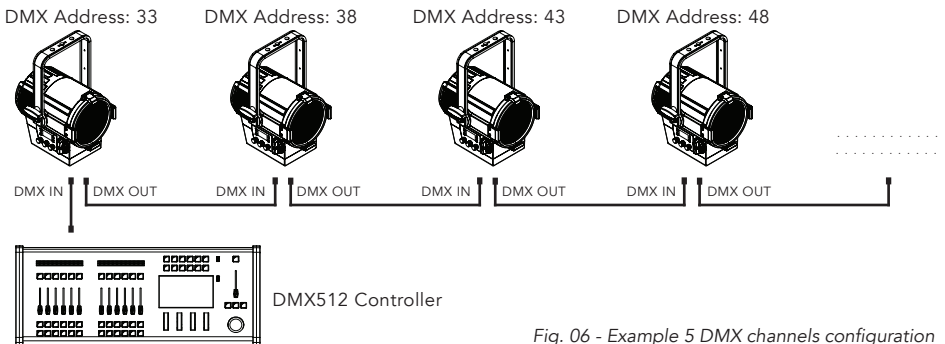


Fig. 06 - Example 5 DMX channels configuration

## CONSTRUCTION OF THE DMX TERMINATION

The termination is prepared by soldering a  $120\Omega$  1/4 W resistor between pins 2 and 3 of the male XLR connector, as shown in figure.

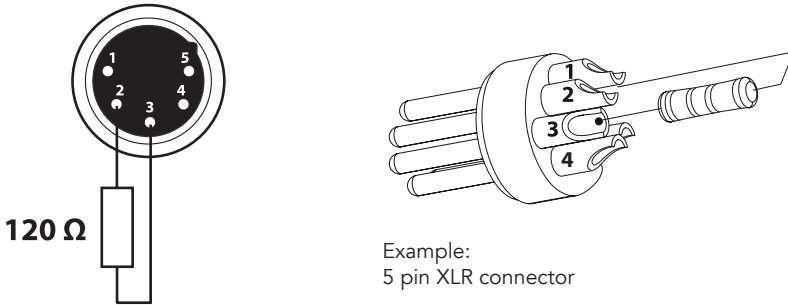


Fig. 07

## DMX ADDRESSING

In order to start controlling the product via DMX, the first step is to select a DMX address, also known as the start channel, this is the first channel used to receive instructions from a DMX controller. If you wish to control the product individually, it is necessary to assign a different starting address channel to each fixture.

The number of channels occupied from the product depends on the DMX mode selected, so always verify the DMX Mode in the MENU before start addressing.

If you assign two fixtures the same address, they will be executing the same behaviour. Selecting the same address to multiple fixtures can be useful for diagnostic purposes and symmetrical control.

DMX addressing is limited to make it impossible to set the DMX address so high that you are left without enough control channels for the product.

To set the fixture's DMX address:

1. Press MENU to open the main menu.
2. Reach the addressing menu, then select the DMX ADDRESS settings.
3. Select the address from 1 to 512 using the navigation arrows/buttons and confirm by pressing ENTER.
4. Press Menu to exit and return to the Home screen.

## 8 - CONTROL PANEL

The product has a display and buttons for access to the control panel functions.

---

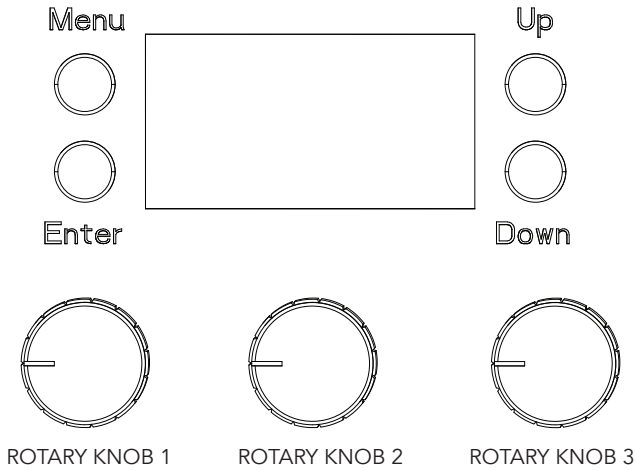


Fig. 08

---

### DISPLAY AND BUTTONS LAYOUT

The product has a display and buttons for access to the control panel functions:

- MENU: used to access the menu tree or to return a previous menu window;
- UP: browse upwards through the menu list and increases the numeric value displayed;
- DOWN: browse downwards through the menu list and decreases the numeric value displayed;
- ENTER: used to confirm the current menu or confirm the current function value or option within a menu.
- ROTARY KNOB 1, 2, 3: used to control stand alone modes.

# 9 - MENU STRUCTURE

The following chart describes the MENU tree of the product, the terms shown in **BOLD** indicates the default settings.

MENU							
1	CONNECT	DMX ADDRESS	<b>001-512</b>				
		DMX MODE	UNO	COLOR TEMPERATURE	2700K		
					2800K		
					3000K		
					3200K		
					3500K		
					4000K		
					4500K		
					5000K		
					5600K		
			MANUAL COLOR	WARM WHITE	0-255		
	COLD WHITE	0-255					
DUO							
BASIC							
<b>STANDARD</b>							
EXTENDED							
2	SETUP	SCREEN	BACKLIGHT	ON		Allows you to select the timing after that display will switch automatically off when inactive.	
				<b>10 s</b>			
				20 s			
				30 s			
			FLIP DISPLAY	ON			Allows you to rotate the display by 180°.
				<b>OFF</b>			
			KEY LOCK	ON			Allows you lock the buttons on the control panel by a password.
				<b>OFF</b>			Press following combinations (password) in order to access to the user menu : UP, DOWN, UP, DOWN, ENTER,
			TEMPERATURE UNIT	°C			To choose the desired unit of temperature measurement.
				°F			
TRANSFER SETTINGS	WITHOU DMX ADDRESS				To transfer the same menu settings of one fixtures to all the other in the daisy chain, including or not the dmx address.		
	WITH DMX ADDRESS						
3	ADVANCED	DIMMER CURVE	LINER			To choose the dimmer curve.	
			S-CURVE				
			<b>SQUARE LAW</b>				
			INVERSE SQUARE LAW				
		DIMMER SPEED	<b>AUTO</b>			To choose the dimmer speed.	
			FAST				
			MEDIUM				
			SLOW				
		WHITE CALIBRATION	OFF			Disable the White Calibration.	
			MANUAL	WARM WHITE	<125-255>	To adjust the max level for each color.	
			COLD WHITE	<125-255>			
		LED FREQUENCY	600Hz			Select PWM frequency.	
			<b>1200Hz</b>				
			2000Hz				
4000Hz							
6000Hz							
25KHz							



		DMX FAULT	BLACKOUT							To choose the behaviour of fixture in case of dmx signal lost.	
			HOLD								
			<b>STAND ALONE</b>								
		FAN MODE	<b>AUTO</b>							Select the product Fan mode.	
			HIGH								
			SILENT								
			OFF								
		FACTORY RELOAD	ON							To reset the unit to factory default settings.	
			<b>OFF</b>								
4	INFORMATION	INFORMATIONS	DEVICE TIME	FIXTURE HOURS	TOTAL					To view information about the unit.	
					PARTIAL						
				CURRENT HOURS	TOTAL						
					PARTIAL						
				SOURCE HOURS	TOTAL						
					PARTIAL						
				POWER ON CYCLE	TOTAL						
					PARTIAL						
				MAINTENANCE TIME	ELAPSED TIME						
					ALERT PERIOD						
			TEMPERATURE	NEAR SOURCE TEMP, DRIVER PCB TEMP, LED PCB TEMP,...							
			FAN SPEED								
			CHANNEL VALUE								
			ERROR MESSAGE								
			FIXTURE MODEL								
			DEVICE LABEL								
			SOFTWARE VERSION								
			RDM UID								
5	STAND ALONE	MASTER/SLAVE	MASTER							Allow you to link and operating in synk multiple units without a DMX console. Choose a unit to perform as the Master. This unit must be the first unit in line; Set the successive units to be slave.	
			<b>SLAVE</b>								
		EFFECTS	EFFECT 1							Use the rotary knob 2 to select the Effect.	
			EFFECT 2								
			EFFECT 3								
			EFFECT 4								
		CCT								Use the rotary knob 2 to set the CCT value.	
		WW+CW								Use the rotary knob 2 and 3 to set the WW and CW value.	
		STATIC	FIXED COLOR	WW		DIMMER				Select of the following predefined color combination and its Dimmer value. After enabled this mode, the unit will be automatically assigned as Master	
				CW		<000 - <b>255</b> >					
				WW+CW		STROBE					<000 - <b>255</b> >

			COLOR TEMPERATURE	2700K	DIMMER		Select a predefined White preset.
				2800K	<000 - <b>255</b> >		
				3000K			
				<b>3200K</b>			
				3500K			
				4000K			
				4500K			
				5000K			
				5600K			
			MANUAL COLOR	WW	<000 - <b>255</b> >		User generated color preset by assigning values to each primary color attribute. After enabled this mode, the unit will be automatically assigned as Master
				CW	<000 - <b>255</b> >		
				STROBE	< <b>000</b> - 255>		

# 10 - RDM FUNCTIONS

The product can communicate using RDM (Remote Device Management) protocol over a DMX512 Networks.

RDM is a bi-directional communications protocol for use in DMX512 control systems, it is the open standard for DMX512 device configuration and status monitoring.

The RDM protocol allows data packets to be inserted into a DMX512 data stream without affecting existing non-RDM equipment. It allows a console or dedicated RDM controller to send commands to and receive messages from specific fixtures.

The PIDs in the following tables are supported in the product.

CATEGORY	PARAMETER	PID	GET	SET
<b>Product Information</b>	DEVICE_INFO	0x0060	x	
	PRODUCT_DETAIL_ID_LIST	0x0070	x	
	DEVICE_MODEL_DESCRIPTION	0x0080	x	
	MANUFACTURER_LABEL	0x0081	x	
	DEVICE_LABEL	0x0082	x	x
	FACTORY_DEFAULTS	0x0090	x	x
	SOFTWARE_VERSION_LABEL	0x00C0	x	
	BOOT_SOFTWARE_VERSION_ID	0x00C1	x	
	BOOT_SOFTWARE_VERSION_LABEL	0x00C2	x	
<b>DMX512 Setup</b>	DMX_PERSONALITY	0x00E0	x	x
	DMX_PERSONALITY_DESCRIPTION	0x00E1	x	
	DMX_START_ADDRESS	0x00F0	x	x
	SLOT_INFO	0x0120	x	
	SLOT_DESCRIPTION	0x0121	x	
	DEFAULT_SLOT_VALUE	0x0122	x	
	DMX_BLOCK_ADDRESS	0x0140	x	x
	DMX_FAIL_MODE	0x0141	x	x
<b>Dimmer Settings</b>	DMX_STARTUP_MODE	0x0142	x	x
	DIMMER_INFO	0x0340	x	
	MINIMUM_LEVEL	0x0341	x	x
	MAXIMUM_LEVEL	0x0342	x	x
	CURVE	0x0343	x	x
	CURVE_DESCRIPTION	0x0344	x	x
	OUTPUT_RESPONSE_TIME	0x0345	x	x
	OUTPUT_RESPONSE_TIME_DESCRIPTION	0x0346	x	
	MODULATION_FREQUENCY	0x0347	x	x
MODULATION_FREQUENCY_DESCRIPTION	0x0348	x		
<b>Sensors</b>	SENSOR_DEFINITION	0x0200	x	
	SENSOR_VALUE	0x0201	x	x
	RECORD_SENSORS	0x0202		x
	BURN_IN	0x0440	x	x

<b>Power/Lamp Settings</b>	DEVICE_HOURS	0x0400	x	x
	LAMP_HOURS	0x0401	x	x
	LAMP_STRIKES	0x0402	x	x
	LAMP_STATE	0x0403	x	x
	LAMP_ON_MODE	0x0404	x	x
	DEVICE_POWER_CYCLES	0x0405	x	x
<b>Display Settings</b>	DISPLAY_INVERT	0x0500	x	x
	DISPLAY_LEVEL	0x0501	x	x
<b>Configuration</b>	LOCK_PIN	0x0640	x	x
	LOCK_STATE	0x0641	x	x
	LOCK_STATE_DESCRIPTION	0x0642	x	
<b>Control</b>	IDENTIFY_DEVICE	0x1000	x	x
	RESET_DEVICE	0x1001		x
	POWER_STATE	0x1010	x	x
	PERFORM_SELFTEST	0x1020	x	x
	SELF_TEST_DESCRIPTION	0x1021	x	
	CAPTURE_PRESET	0x1030	x	x
	PRESET_PLAYBACK	0x1031	x	x
	IDENTIFY_MODE	0x1040	x	x
	PRESET_INFO	0x1041	x	
	PRESET_STATUS	0x1042	x	x
POWER_ON_SELF_TEST	0x1044	x	x	

## 11 - SHORTCUTS

Keys	Mode	Description
MENU + ENTER then power on	Clear All	Clear all value of functions + factory default
UP + DOWN after power on	Flip Display	Directly flip display without enter inside menu

## 12 - ERRORS

ERROR SHOWED ON SCREEN	POSSIBLE CAUSES
[LED TEMPERATURE SENSOR ERROR]	LED temperture sensor damaged (open or in short circuit)
[TEMPERATURE TOO HIGH]	This error message indicates that an overheating has occurred and the led has been switched OFF by the product protection system.
[MAINTENANCE TIME]	Need to be done standard maintenance and also reset of elipsed time
[DMX ACTIVE]	Transfer configuration is used with dmx signal connected

# 13 - DMX CHARTS

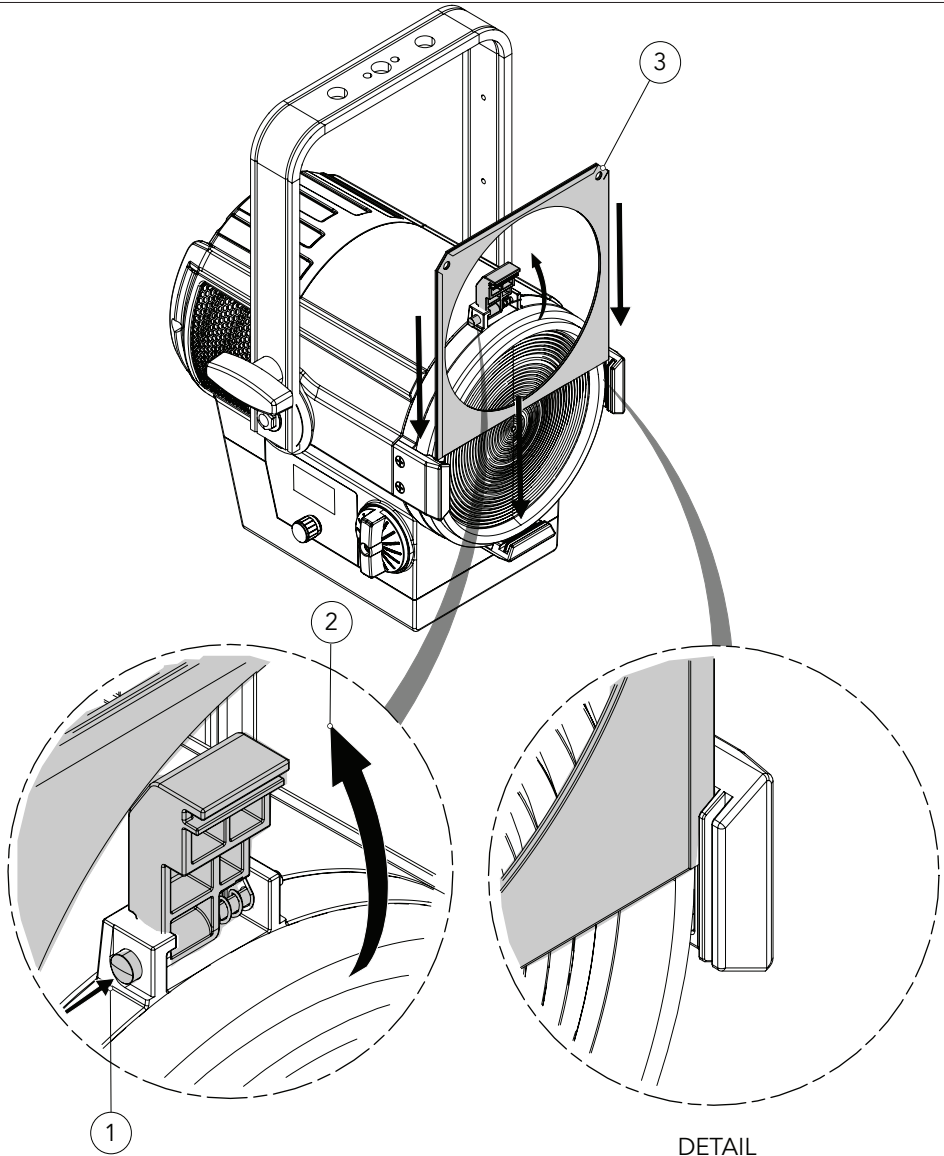
Channel	UNO	DUO	BASIC	STANDARD	EXTENDED
1	DIMMER	DIMMER	DIMMER	DIMMER	DIMMER
2		CCT	WARM WHITE	DIMMER FINE	DIMMER FINE
3			COLD WHITE	STROBE	STROBE
4				CCT	CCT
5				CCT FINE	CCT FINE
6					CROSSFADE
7					WARM WHITE
8					WARM WHITE FINE
9					COLD WHITE
10					COLD WHITE FINE
11					FUNCTION

UNO	DUO	BASIC	STANDARD	EXTENDED	Function	DMX Value	Default
1	1	1	1	1	<b>DIMMER</b> 0~100%	000 ÷ 255	000
			2	2	<b>DIMMER FINE</b> 0~100%	000 ÷ 255	000
			3	3	<b>STROBE</b> Close Strobe from slow to fast Open Pulse in from slow to fast Open Pulse out from slow to fast Open Randon from slow to fast Open	000 ÷ 001 002 ÷ 062 063 ÷ 064 065 ÷ 125 126 ÷ 127 128 ÷ 188 189 ÷ 190 191 ÷ 251 252 ÷ 255	255
	2		4	4	<b>CCT</b> Lineary From 2700k To 5600k	000 ÷ 255	000
			5	5	<b>CCT FINE</b> Lineary From 2700k To 5600k	000 ÷ 255	000
				6	<b>CROSSFADE</b> 0~100%	000 ÷ 255	255
		2		7	<b>WARM WHITE</b> 0~100%	000 ÷ 255	255
				8	<b>WARM WHITE FINE</b> 0~100%	000 ÷ 255	255

UNO	DUO	BASIC	STANDARD	EXTENDED	Function	DMX Value	Default
		3		9	<b>COLD WHITE</b> 0~100%	000 ÷ 255	255
				10	<b>COLD WHITE FINE</b> 0~100%	000 ÷ 255	255
				11	<b>FUNCTION</b> No Function / Safe Display Backlight On Display Backlight 10 s Display Backlight 20 s Display Backlight 30 s Display Flip Regular Display Flip Top Down Key Lock ON Key Lock OFF Dimmer Mode Linear Dimmer Mode S-Curve Dimmer Mode Square Law Dimmer Mode Inverse Square Law Dimmer Speed Auto Dimmer Speed Slow Dimmer Speed Medium Dimmer Speed Fast White Calibration OFF White Calibration MANUAL LED Frequency 600 Hz LED Frequency 1200 Hz LED Frequency 2000 Hz LED Frequency 4000 Hz LED Frequency 6000 Hz LED Frequency 25 kHz DMX Lost Blackout DMX Lost Hold DMX Lost Stand Alone Fan Mode AUTO Fan Mode SILENT Fan Mode HIGH Fan Mode OFF Stand Alone Master Stand Alone Slave Stand Alone Effect Stand Alone CCT Stand Alone WW+CW Stand Alone Fixed Color Stand Alone White Preset Stand Alone Manual Color RESERVED FACTORY DEFAULT OF ALL CONTROLLED FUNCTION	000 ÷ 001 002 ÷ 003 004 ÷ 005 006 ÷ 007 008 ÷ 009 010 ÷ 011 012 ÷ 013 014 ÷ 015 016 ÷ 017 018 ÷ 019 020 ÷ 021 022 ÷ 023 024 ÷ 025 026 ÷ 027 028 ÷ 029 030 ÷ 031 032 ÷ 033 034 ÷ 035 036 ÷ 037 038 ÷ 039 040 ÷ 041 042 ÷ 043 044 ÷ 045 046 ÷ 047 048 ÷ 049 050 ÷ 051 052 ÷ 053 054 ÷ 055 056 ÷ 057 058 ÷ 059 060 ÷ 061 062 ÷ 063 064 ÷ 065 066 ÷ 067 068 ÷ 069 070 ÷ 071 072 ÷ 073 074 ÷ 075 076 ÷ 077 078 ÷ 079 080 ÷ 253 254 ÷ 255	000

# 14 - ACCESSORIES INSTALLATION

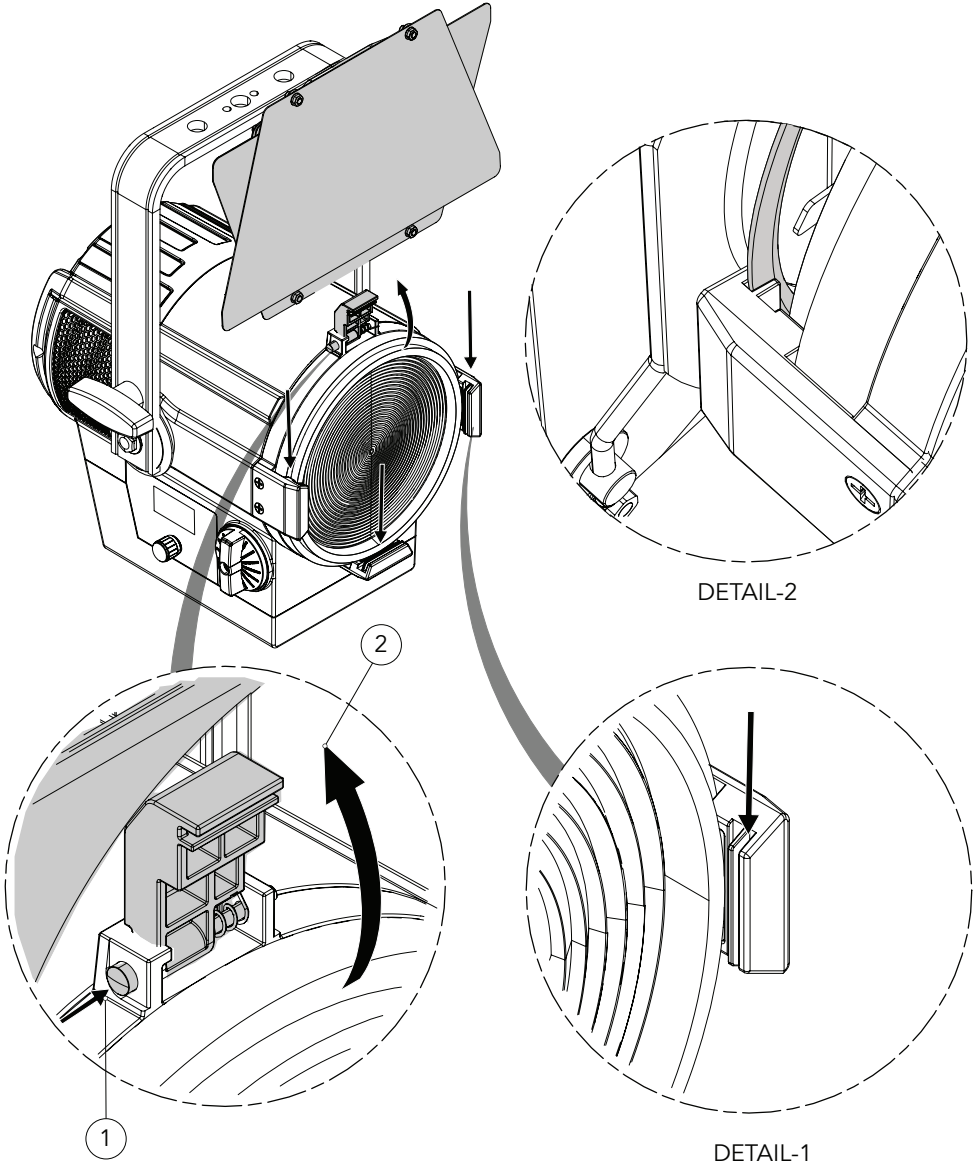
## FILTER FRAME (CODE ECLFRSJTPG - OPTIONAL)



Press the pin (1) and the snap will automatically open upwards (2). Insert the gel filter frame (3) into the gel frame lock (DETAIL) and close down the snap.

NOTE: To remove the accessory, reverse the procedure.

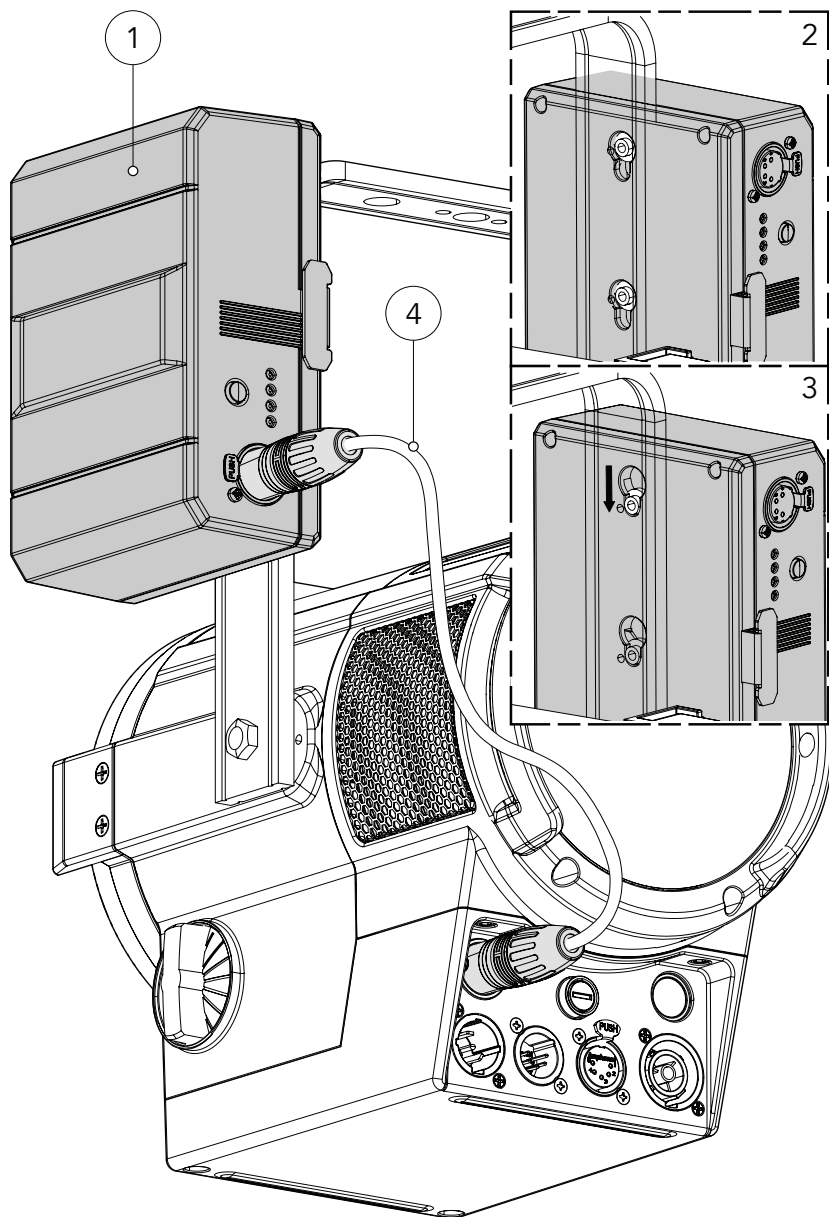
Fig. 09



Press the pin (1) and the snap will automatically open upwards (2). Insert the barn door (3) into the gel frame lock (DETAIL-1) through the holder assembly of the barn door (DETAIL-2). Then close down the snap.  
NOTE: To remove the accessory, reverse the procedure.

Fig.10





1. Mount the battery pack (1) by fixing one of the two holes to one of the two battery holders (2) on the unit bracket, and push it down (3). Then connect the battery pack to the unit with the 4-pole connector (4).  
NOTE: To remove the accessory, reverse the procedure.

Fig.11

# 15 - MAINTENANCE

## MAINTENANCE AND CLEANING THE PRODUCT

**WARNING:** Disconnect from the mains before starting any maintenance work

It is recommended to clean the front at regular intervals, from impurities caused by dust, smoke, or other particles to ensure that the light is radiated at maximum brightness.

- For cleaning, disconnect the main plug from the socket. Use a soft, clean cloth moistened with a mild detergent. Then carefully wipe the part dry. For cleaning other housing parts use only a soft, clean cloth. Never use a liquid, it might penetrate the unit and cause damage to it.
- The user must clean the product periodically to maintain optimum performance and cooling. The user may also upload firmware (product software) to the fixture via the DMX signal input port or USB port using firmware and instructions from PROLIGHTS.
- The frequency of such maintenance operations is to be performed according to various factors, such as the amount of the use and the condition of the installation environment (air humidity, presence of dust, salinity, etc.). It is recommended that the product is subject to annual service by a qualified technician for special maintenance involving at least the following procedures:
  - General cleaning of internal parts.
  - For all the parts subject to friction, using lubricants specifically supplied by PROLIGHTS.
  - General visual check of the internal components, cabling, mechanical parts, etc.
  - Electrical, photometric and functional checks; eventual repairs.
  - Cleaning the lenses. Only use neutral soap and water to clean the lenses, then dry it carefully with a soft, non-abrasive cloth.

**WARNING:** the use of alcohol or any other detergent could damage the lenses.

- All other service operations on the product must be carried out by PROLIGHTS, its approved service agents or trained and qualified personnel.
- It is PROLIGHTS policy to apply the strictest possible calibration procedures and use the best quality materials available to ensure optimum performance and the longest possible component lifetimes. However, optical components are subject to wear and tear over the life of the product, resulting in gradual changes in colours over many thousands of hours of use. The extent of wear and tear depends heavily on operating conditions and environment, so it is impossible to specify precisely whether and to what extent performance will be affected. However, you may eventually need to replace optical components if their characteristics are affected by wear and tear after an extended period of use and if you require fixtures to perform within very precise optical and colour parameters.
- Do not apply filters, lenses or other materials on lenses or other optical components. Use only accessories approved by PROLIGHTS.

## REPLACING THE FUSE

**WARNING:** Before replacing the fuse, unplug the product from the mains.

- Remove the old fuse from the housing with a suitable screwdriver (anticlockwise) and replace it with one of the same type and of the same classification (T2A 250V).

## VISUAL CHECK OF PRODUCT HOUSING

- The parts of the product cover/housing should be checked for eventual damages and breaking start at least every two months. In addition, especially the parts of the front lens holder have to be checked mechanically (by means of movement by the part) if it is firmly fastened to the fixture. If hint of a crack is found on some plastic part, do not use the product until the damaged part will be replaced.
- Cracks or another damages of the cover/housing parts can be caused by the product transportation or manipulation and also ageing process may influence materials.
- This checking is necessary for both fixed installations and preparing product for renting. Any free moving parts inside of the product, cracked cover/housing or any part of front lens not sitting properly in place need to be immediately replaced.

## TROUBLESHOOTING

Problems	Possible causes	Checks and remedies
Product doesn't power ON	<ul style="list-style-type: none"> <li>No power to the product.</li> </ul>	<ul style="list-style-type: none"> <li>Check that power is switched ON and cables are plugged in.</li> </ul>
	<ul style="list-style-type: none"> <li>Fuse blown or internal fault.</li> </ul>	<ul style="list-style-type: none"> <li>Check if the Fuse is intact and eventually replace it if necessary.</li> <li>Contact the PROLIGHTS Service or authorized service partner. Do not remove parts and/or covers, or carry out any repairs or service that are not described in this Safety and User Manual unless you have both authorization from PROLIGHTS and the service documentation.</li> </ul>
Product reset correctly but does not respond correctly to the controller.	<ul style="list-style-type: none"> <li>Bad signal connection.</li> </ul>	<ul style="list-style-type: none"> <li>Inspect connections and cables. Fix eventual bad connections. Repair or replace damaged cables.</li> </ul>
	<ul style="list-style-type: none"> <li>Signal connection not terminated.</li> </ul>	<ul style="list-style-type: none"> <li>Insert DMX termination plug in signal output socket of the last product on the signal line.</li> </ul>
	<ul style="list-style-type: none"> <li>Incorrect addressing of the product.</li> </ul>	<ul style="list-style-type: none"> <li>Check the product address and control settings.</li> </ul>
	<ul style="list-style-type: none"> <li>One of the product is defective and is corrupting the signal transmission on the signal line.</li> </ul>	<ul style="list-style-type: none"> <li>Unplug the XLR in and out connectors and connect them directly together to bypass one product at a time until normal operation is regained. Once found the error, have that fixture serviced by a qualified technician.</li> </ul>
Timeout error after fixture reset.	<ul style="list-style-type: none"> <li>One or more hardware components requires mechanical adjustments.</li> </ul>	<ul style="list-style-type: none"> <li>Check product stored error messages for more information. Contact PROLIGHTS Service or an authorized service partner.</li> </ul>
Mechanical effect loses position	<ul style="list-style-type: none"> <li>Mechanical hardware require cleaning, adjustment or lubrication</li> </ul>	<ul style="list-style-type: none"> <li>Check product stored error messages for more information. Contact PROLIGHTS Service or an authorized service partner.</li> </ul>
Light output turn OFF Intermittently	<ul style="list-style-type: none"> <li>Fixture is too hot</li> </ul>	<ul style="list-style-type: none"> <li>Check product stored error messages.</li> <li>Allow product to cool.</li> <li>Clean the product and airflow filters.</li> <li>Reduce ambient temperature.</li> </ul>
	<ul style="list-style-type: none"> <li>Hardware failure (temperature sensor, fans, Light source...).</li> </ul>	<ul style="list-style-type: none"> <li>Check product stored error messages for more information. Contact. PROLIGHTS Service or an authorized service partner.</li> </ul>
General low light intensity	<ul style="list-style-type: none"> <li>Dirty lens assembly.</li> </ul>	<ul style="list-style-type: none"> <li>Clean the fixture regularly.</li> </ul>
	<ul style="list-style-type: none"> <li>Dirty or damaged filters.</li> </ul>	<ul style="list-style-type: none"> <li>Install lens assembly properly.</li> </ul>

Contact an authorized service center in case of technical problems or not reported in the table can not be resolved by the procedure given in the table.











**PROLIGHTS** is a trademark of  
**MUSIC & LIGHTS S.r.l.**  
**musiclights.it**

Via A.Olivetti snc  
04026 - Minturno (LT) ITALY  
Tel: +39 0771 72190

**prolights.it**  
support@prolights.it