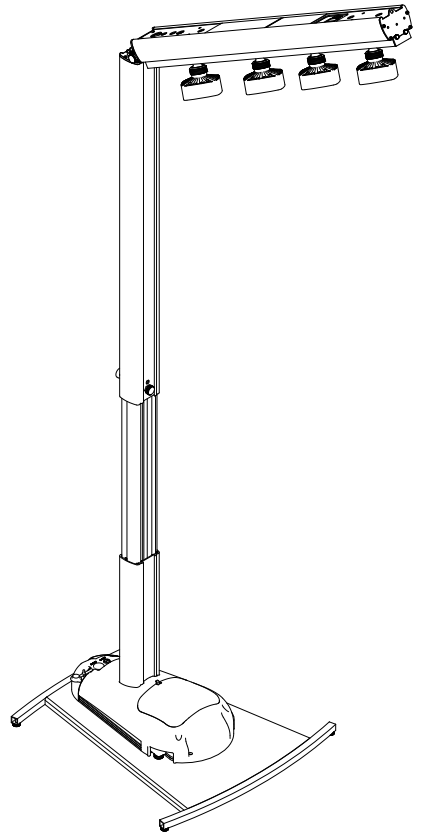
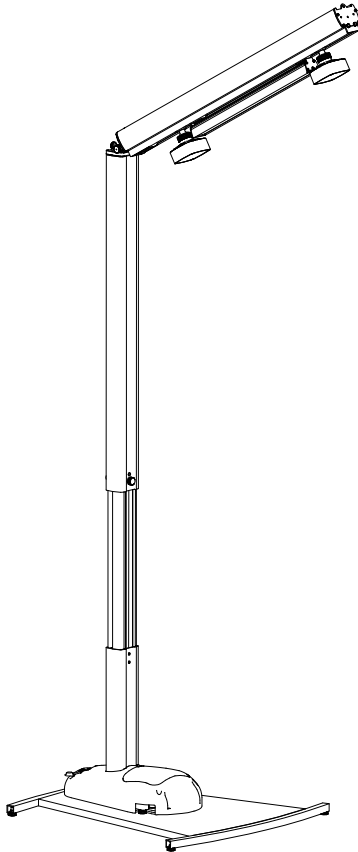


SMARTMODULA

NEW FORM OF DECOR AND MODULAR
BATTERY LIGHT



USER MANUAL
MANUALE UTENTE

All rights reserved by Music & Lights S.r.l. No part of this instruction manual may be reproduced in any form or by any means for any commercial use.

In order to improve the quality of products, Music&Lights S.r.l. reserves the right to modify the characteristics stated in this instruction manual at any time and without prior notice.
All revisions and updates are available in the 'manuals' section on site www.musiclights.it

TABLE OF CONTENTS

Safety	
General instructions	2
Warnings and installation precautions	2
1 Introduction	
1.1 Description	3
1.2 Technical specifications	3
1.3 Technical specifications MODULASPOTFC-DY	6
1.4 Technical specifications MODULAWASHFC-D	6
1.5 Battery features	7
1.6 Operating elements and connections	8
2 Installation	
2.1 Mounting	9
3 Functions and settings	
3.1 Operation	11
3.2 Basic	11
3.3 Menu structure	12
3.4 DMX Mode	13
3.5 DMX configuration	13
3.6 DMX Addressing	13
3.7 Pixel mode	13
3.8 Wireless	13
3.9 Backlight	14
3.10 Flip display	14
3.11 Dimmer	14
3.12 Calibration	14
3.13 Reload Default	14
3.14 Time info	15
3.15 Software version	15
3.16 Static mode	15
3.17 Controller IR	15
3.18 DMX control	16
4 Maintenance	
4.1 Maintenance and cleaning the unit	18
4.2 Fuse replacement	18
4.3 Troubleshooting	18

Packing content

- SMARTMODULA
 - Power cable
 - User manual
-




WARNING! Before carrying out any operations with the unit, carefully read this instruction manual and keep it with care for future reference. It contains important information about the installation, usage and maintenance of the unit.



SAFETY

General instruction

- The products referred to in this manual conform to the European Community Directives and are therefore marked with **CE**.
- The unit is supplied with hazardous network voltage (230V~). Leave servicing to skilled personnel only. Never make any modifications on the unit not described in this instruction manual, otherwise you will risk an electric shock.
- Connection must be made to a power supply system fitted with efficient earthing (Class I appliance according to standard EN 60598-1). It is, moreover, recommended to protect the supply lines of the units from indirect contact and/or shorting to earth by using appropriately sized residual current devices.
- The connection to the main network of electric distribution must be carried out by a qualified electrical installer. Check that the main frequency and voltage correspond to those for which the unit is designed as given on the electrical data label.
- This unit is not for home use, only professional applications.
- Never use the fixture under the following conditions:
 - in places subject to vibrations or bumps;
 - in places with a temperature of over 45 °C.
- Make certain that no inflammable liquids, water or metal objects enter the fixture.
- Do not dismantle or modify the fixture.
- All work must always be carried out by qualified technical personnel. Contact the nearest sales point for an inspection or contact the manufacturer directly.
- If the unit is to be put out of operation definitively, take it to a local recycling  plant for a disposal which is not harmful to the environment.

Warnings and installation precautions

- If this device will be operated in any way different to the one described in this manual, it may suffer damage and the guarantee becomes void. Furthermore, any other operation may lead to dangers like short circuit, burns, electric shock, etc.
- Before starting any maintenance work or cleaning the projector, cut off power from the main supply.
- Always additionally secure the projector with the safety rope. When carrying out any work, always comply scrupulously with all the regulations (particularly regarding safety) currently in force in the country in which the fixture's being used.
- Install the fixture in a well ventilated place.
- Keep any inflammable material at a safe distance from the fixture.
- Shields, lenses or ultraviolet screens shall be changed if they have become damaged to such an extent that their effectiveness is impaired.
- The lamp (LED) shall be changed if it has become damaged or thermally deformed.
- Never look directly at the light beam. Please note that fast changes in lighting, e. g. flashing light, may trigger epileptic seizures in photosensitive persons or persons with epilepsy.
- Do not touch the product's housing when operating because it may be very hot.

- 1 - INTRODUCTION

1.1 DESCRIPTION

SMARTMODULA is a cable-free battery fixture which establishes a new form of decor lighting for events, banquets and gardens. Its modular and customizable assembly allow to use the luminaire standing from the floor or hanged as a pinspot four-bar, and packed in a comfortable carry-on sizes. The light emitters are adjustable and can slide on the track for a perfect focusing, and as well be replaced from Spot to Wash or mixed configurations and available in FC or White color mixing.

SMARTMODULA (Core components to be completed with accessories) includes:

- Floor metal base plate
- Base with supporting bar
- Extension bar with adjustable wight
- Heading bar with light track and electronics (containing 1 battery)

OPTIONAL accessories to complete the Core element:

- MODULASPOT: 2pcs Spot LED Dot with 1 LED source 12° beam, available in FC or WHite color mixing (Max 6pcs on each SMARTMODULA).
- MODULAWASH: 1pc wash LED strip with 12x3W LED, 60° beam, available in FC or WHite color mixing (Max 1pcs on each SMartModula + 2 Spot).
- MODULABBAT: 1pc base extra-battery to be installed inside the Base to extend battery operation (Max 2pcs MODULABBAT in each baseplate).

Features:

MODULA design allows floor standing with flexible swivel joints and tiltable stand, or hanging with quick-lock omega brackets

Accessory fixtures available in RGBW/FC and White Color mixing, as well as with Spot or Wash Optics, each emitter is pixel mapped, can slides and be focused individually (not included)

The base houses room for extra battery (optional) and the stand can be adjusted in height.

1.2 TECHNICAL SPECIFICATIONS

LIGHT SOURCE

- Source: W Light source is supplied as accessory as SPOT or WASH, FC or White
- CT: Optional - FC or WH SPOT 5600 K or WH WASK 6400 K
- Source Life Expectancy: >30.000 h
- Other: Light source is supplied as accessory as SPOT or WASH, FC or White

OPTICS

- Beam Angle: SPOT (Opt) 15°; WASH (Opt) 60 °

COLOR SYSTEM

- Color Mixing: Interchangeable light source: SPOTs or WASH with FullColor or White LED source

DYNAMIC EFFECTS

- Static Color Mode: Selection of static color
- Manual Color Mode: Manual adjustment of color
- Auto Mode: Built-in programs with execution speed adjustment

BODY

- Hardware On-board: See the Introduction description
- Pan Angle: 360 ° Metal joint for 360° rotation of header bar
- Tilt Angle:120 ° Manual
- Body: Sturdy stretching aluminium body conceived for long-time durability
- Body Color: Matte black

CONTROL

- Protocols: WDMX
- Pixel Control: Pixel2Pixel control
- W-DMX: Included, Wireless Solution receiver
- Display: Black OLED high resolution display
- IR: Infra-Red sensor controlled by remote

ELECTRONICS

- Dimmer: Linear 0~100% electronic dimmer
- Strobe/Shutter:1~25 Hz, electronic
- Operating Temperature: -10° ~ +40°
- Flicker: Flicker free operation

ELECTRICAL

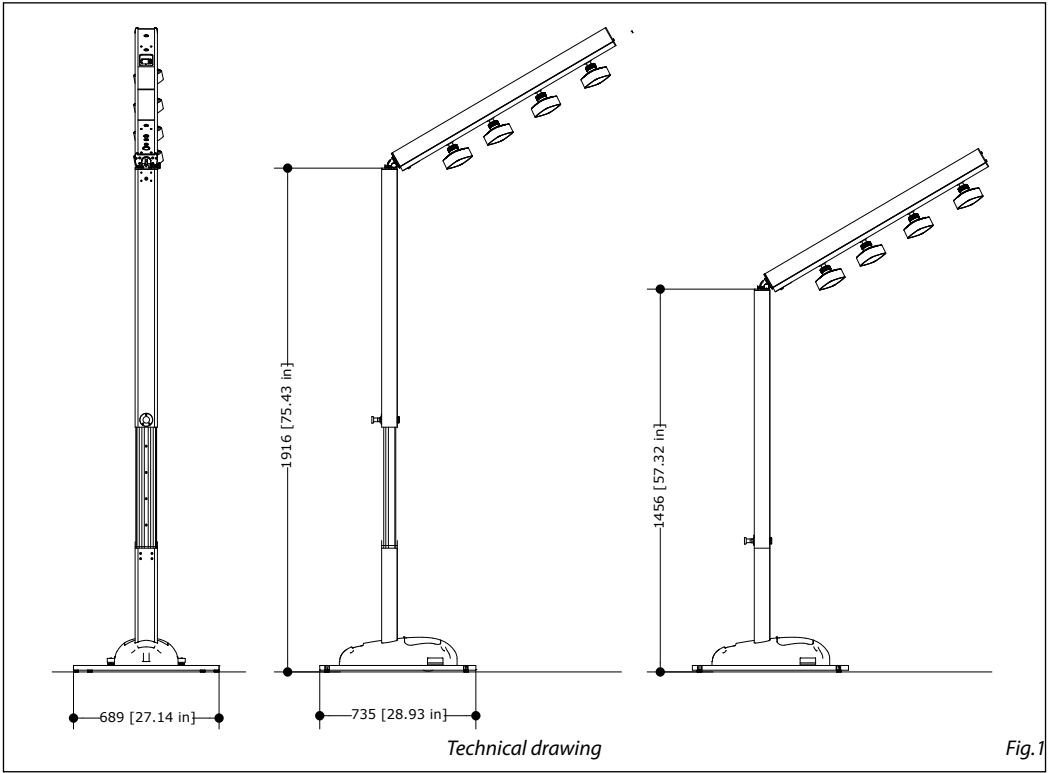
- Power Supply: 100-240V – 50/60Hz

BATTERY

- Battery:(Head) 1x14.8 V - (Base - optional) 1x14.8 V Lithium
- Autonomy in color change mode, up to:refer to user manual for max h
- Autonomy in single color mode, up to:refer to user manual for max h
- Autonomy in full-on, up to:refer to user manual for max h
- Recharge Connection: Power cable
- Recharge Time:Head battery 5,5 h/max Base battery 11 h/max
- Battery Status: LED battery status indicator
- Other:Check User manual for further information about battery autonomy for all possible compositions

PHYSICAL

- Cooling: Natural cooling of the peculiar chassis and to absence of fans
- Suspension And Fixing: Hanging bracket suitable for safe hanging and positioning
- Power Connection: PowerCON TRUE1 in
- IP:20
- Dimensions (WxHxD): 735x(1456~1916)x958 mm
- Weight:w/o baseplate 23,5Kg, with baseplate 38,5 kg



1.3 TECHNICAL SPECIFICATIONS MODULASPOTFC-DY

LIGHT SOURCE

- Source:(FC) 1x10 W - (DY) 1x3 W LEDs
- CT:(DY) 5600 K
- CRI:(DY) 70,9 - (FC) 37.6 Ra
- Luminous Flux:(1xDY) 194 lm - (1xFC) 254 lm
- Lux:(1xDY) 5320 lx - (1xFC) 5150 lux @1m Full
- Lux:(1xDY) 477 lx - (1xFC) 453 lux @3m Full
- Source Life Expectancy: >50.000 h
- Other:Max 6pc Modulaspot per Smartmodula

OPTICS

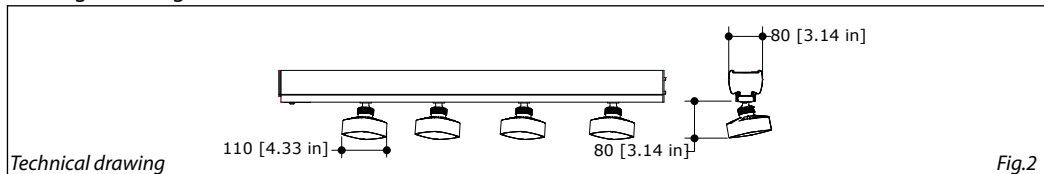
- Beam Angle:15 °
- Field Angle:23 °

ELECTRICAL

- Power Consumption:(Single FC) 5.5 W - (Full FC) 33 W - (Single DY) 1.5 W - (Full DY) 9 W

PHYSICAL

- Dimensions (WxHxD):80x80x110 mm
- Weight:0,25 kg



1.4 TECHNICAL SPECIFICATIONS MODULAWASHFC-DY

LIGHT SOURCE

- Source:(FC) 12x6 W - (DY) 12x3 W LEDs
- CT:(DY) 6400 K
- CRI:(DY) 81 Ra
- Luminous Flux:(DY) 1213 lm - (FC) 2778 lm
- Lux:(DY) 3800 lux - (FC) 8340 lux @1m Full
- Lux:(DY) 468 lux - (FC) 1110 lux @3m Full
- Source Life Expectancy: >50.000 h
- Other:Max 1pc Modulawash per Smartmodula (+2pcs SPOT)

OPTICS

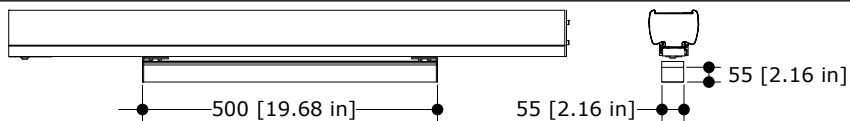
- Beam Angle:60 °
- Field Angle:65 °

ELECTRICAL

- Power Consumption:(Single FC) 27 W - (Single DY) 15W

PHYSICAL

- Dimensions (WxHxD):500x55x55 mm
- Weight:0,8 kg



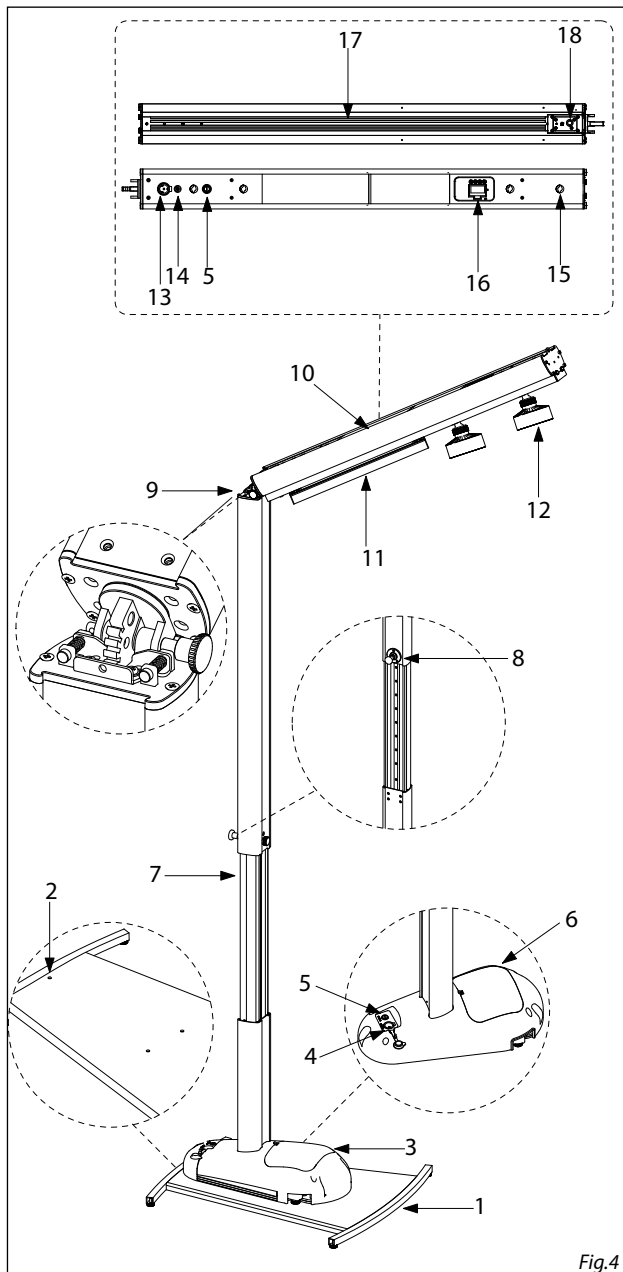
Technical drawing

Fig.3

1.5 BATTERY FEATURES

	QTY (PCS)	FULL COLOR'S POWER (W)	LIGHTING HOURS (h)		SINGLE COLOR'S POWER (W)	LIGHTING HOURS (h)		COLOR CHANGING'S POWER (W)	LIGHTING HOURS (h)	
			HEAD BAR'S BATTERY	HEAD BAR'S BATTERY+BACK UP BATTERY		HEAD BAR'S BATTERY	HEAD BAR'S BATTERY+BACK UP BATTERY		HEAD BAR'S BATTERY	HEAD BAR'S BATTERY+BACK UP BATTERY
MODULASPOTFC	1	5,8	25	75	1,9	77	231	2,85	51	154
	2	11,4	13	39	3,8	38	115	5,7	25	76
	3	17,1	9	26	5,7	25	76	8,55	17	51
	4	22,8	6	19	7,6	19	58	11,4	13	39
	5	27,7	5	16	9,5	15	46	14,25	10	31
	6	34,1	4	13	11,4	13	38	17,1	8	25
MODULAWASHFC	1	52	2	8	21,3	6	21	31,95	4	13
MODULASPOTDY	1	1,5	97	292						
	2	3	49	146						
	3	4,5	32	97						
	4	6	24	73						
	5	7,5	19	57						
	6	9	16	49						
MODULAWASHDY	1	15	9	27						
MODULAWASH MODULASPOT	1 2	54	2	8						

1.6 OPERATING ELEMENTS AND CONNECTIONS



1. FLOOR METAL BASE PLATE
2. THREADED HOLES M8
3. BASE WITH SUPPORTING BAR
4. POWER IN (PowerCON IN): for connection to a socket (100-240V~/50-60Hz) via the supplied mains cable.
5. FUSE
6. SLOT to house the MODULABBAT extra battery
7. EXTENSION BAR WITH ADJUSTABLE HEIGHT
8. BLOCKING SYSTEM
9. FLEX SWIVEL JOINT
10. HEADING BAR
11. MODULAWASH
12. MODULASPOT
13. POWER IN (PowerCON IN): per il collegamento ad una presa di rete (100-240V~/50-60Hz) tramite il cavo rete in dotazione.
14. IMPUT for cable DC IN 24V.
15. HOLE for hook.
16. CONTROL PANEL with OLED display and 4 button used to access the control panel functions and manage them.
17. TRACK to working the MODULASPOT/WASH.
18. ON/OFF SWITCH to turn the SMARTMODULA.

Fig.4

- 2 - INSTALLATION

2.1 MOUNTING

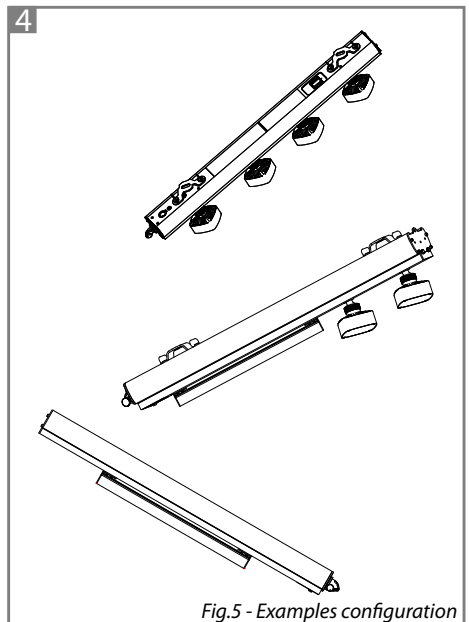
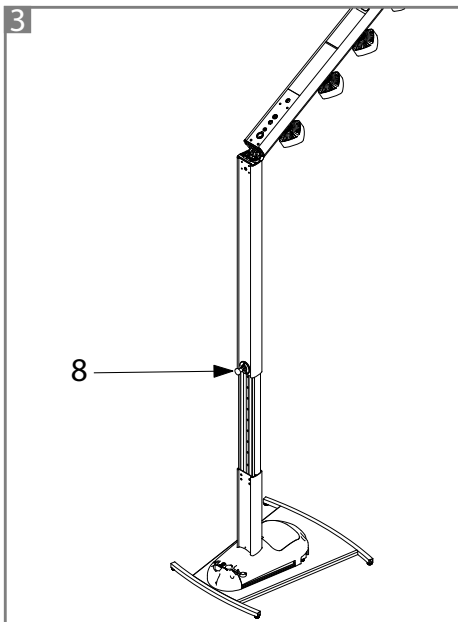
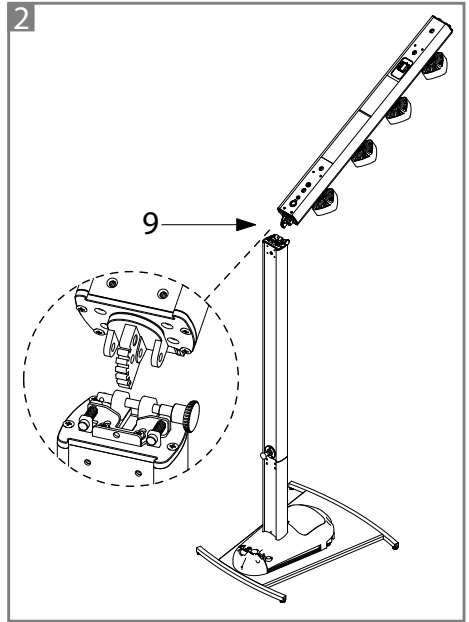
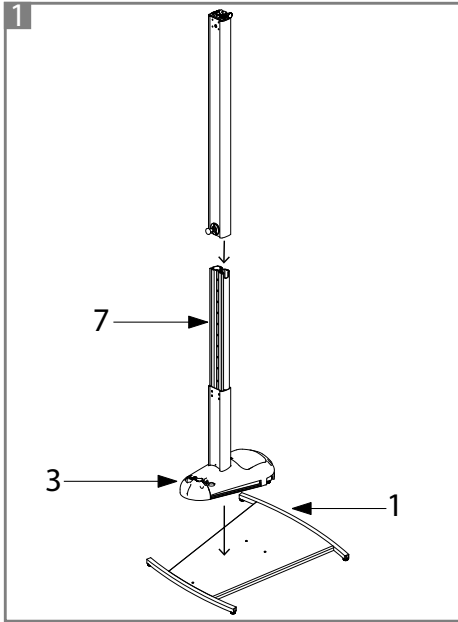


Fig.5 - Examples configuration

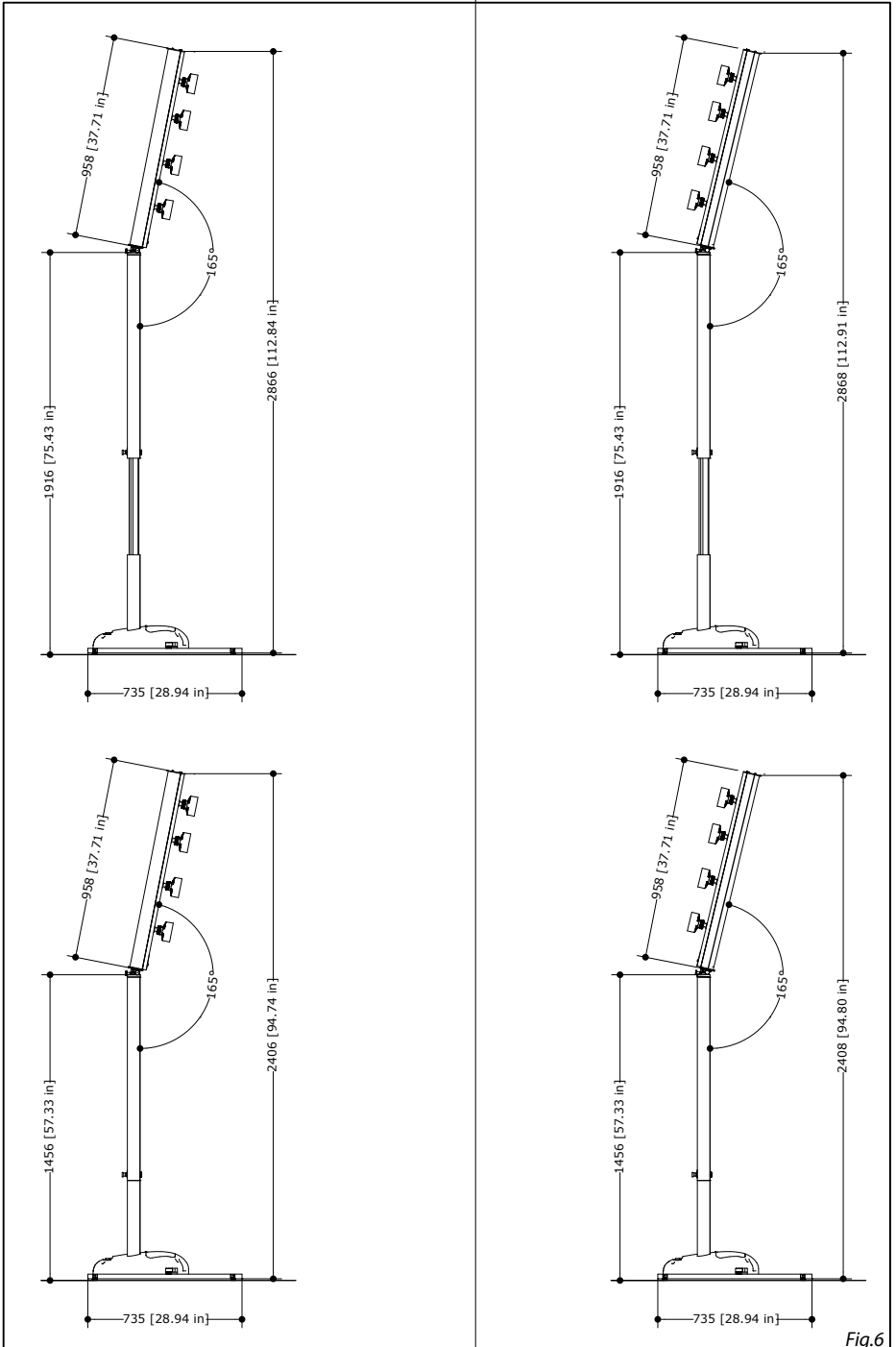


Fig.6

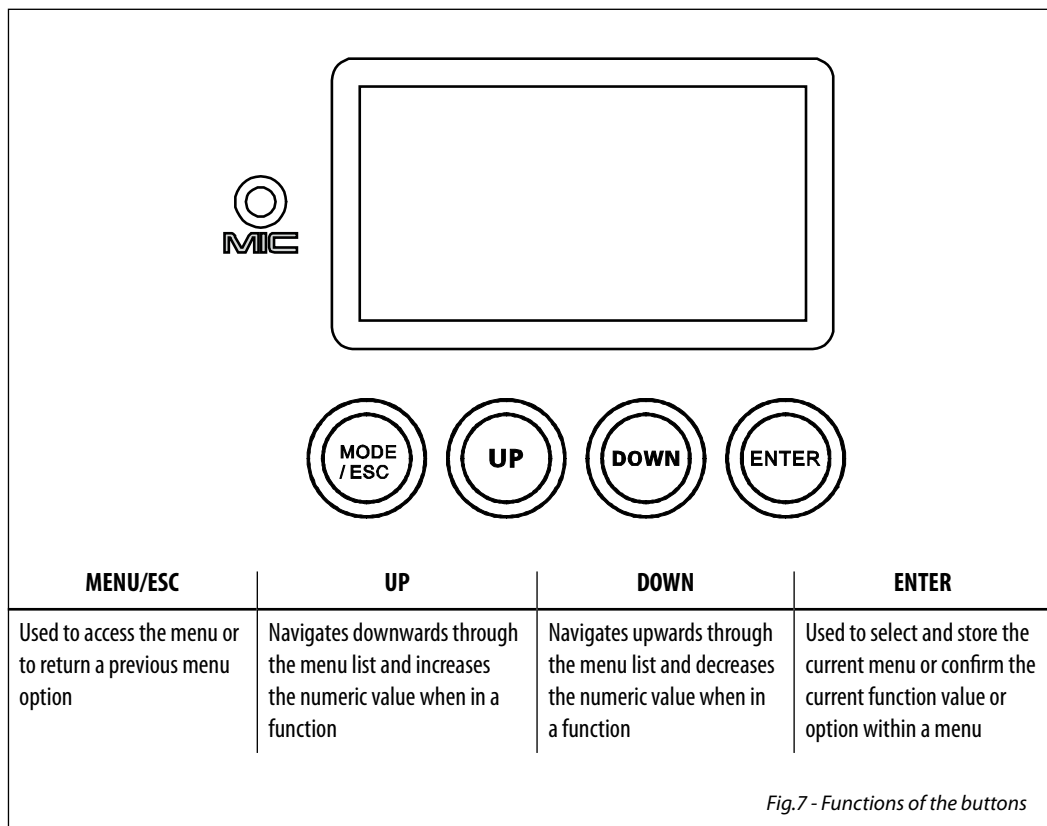
- 3 - FUNCTIONS AND SETTINGS

3.1 OPERATION

Connect the supplied main cable to a socket (100-240 VAC-50/60 Hz). Then the unit is ready for operation and can be operated via a DMX controller or it independently performs its show program in succession. To switch off, disconnect the mains plug from the socket. For a more convenient operation it is recommended to connect the unit to a socket which can be switched on and off via a light switch.

3.2 BASIC

Access control panel functions using the four panel buttons located directly underneath the OLED Display (fig.4).



3.3 MENU STRUCTURE

MENU				
1	CONNECT	⇒ DMX Address	⇒ Value (001-485)	
		DMX Mode	⇒ 1CH 5CH 8CH PIXCH	
		Pixel	⇒ Order	⇒ (001-006)
		Wireless	⇒ Reset Connect	⇒ NO-Yes
2	SETUP	⇒ Screen	⇒ Back Light Flip Display	⇒ 2 ~ 99m ⇒ NO-Yes
		Adjust	⇒ Dimmer	
3	ADVANCED	⇒ Calibration	⇒ Password Red Green Blue White	⇒ Value (001-255)
		Reload Default	⇒ Basic Default Password Private Default All Default	⇒ OFF-On ⇒ OFF-On ⇒ OFF-On
4	INFORMATION	⇒ Time Info Software version	⇒ Current V1.0	
5	STATIC	⇒ Presets	⇒ Red Deep Orange Light Orange Yellow Green Sea Green Aquamarine Cyan Blue Violet Purple Magenta Full RGB White Gradual	

3.4 DMX ADDRESS

To set the DMX address, press the MENU button until shows **CONNECT** on the display, then select DMX ADDRESS and press the ENTER button.

- Press the UP/DOWN button to select the desired value (**001-485**); Press and hold the UP/DOWN button to scroll quickly.
- Press ENTER button to store.
- Press the MENU button to go back or to meet the waiting time to exit the setup menu.

3.5 DMX CONFIGURATION

SMARTMODULA is equipped with different DMX configuration.

- Press the button MENU so many times until shows **CONNECT**, then select **DMX MODE**, and press the button ENTER to confirm.
- Select the desired DMX configuration (**1CH - 5CH - 8CH, PIXCH**) through the buttons UP/DOWN.

The tables on page 16 and 17 indicate the operating mode and DMX value.

3.6 DMX ADDRESSING

To able to operate the SMARTODULA with a light controller, adjust the DMX start address for the first a DMX channel. If e. g. address 33 on the controller is provided for controlling the function of the first DMX channel, adjust the start address 33 on the SMARTMODULA.

The other functions of the light effect panel are then automatically assigned to the following addresses.

An example with the start address 33 is shown below:

Number of DMX channels	Start address (example)	DMX Address occupied	Next possible start address for unit No. 1	Next possible start address for unit No. 2	Next possible start address for unit No. 3
1	33	33	34	35	36
5	33	33-37	38	43	48
8	33	33-40	41	49	57

3.7 PIXEL

- Set an order number to the Dot&Strip. If you want to set an order number with one Dot/Strip, you need to take off other Dots/Strips at first. Or you want to set a same order number with two/three/ more Dots&Strips, you can insert all of them into the bar. Then you should go into the order number setting menu(Connect->Pixel->Order) , use "UP/DOWN" for selecting the number and press "ENTER" for confirmation. Please be aware of that the biggest number is 6.
- Press the UP/ DOWN button to scroll through the menu, select **CONNECT** then press the ENTER button to access the next menu).
- Press the UP/DOWN button to select PIXEL, and press the ENTER button to proceed.
- Press the MENU button repeatedly to exit the menu and to save the changes made.
- NOTE: Pixel control can not work while you are using the IR remote-controller.
- NOTE: When the slider bar is short-circuit, the battery will power off for protection. And this protection will be relieved if charge it for a few minute.

3.8 WIRELESS

To enable wireless control mode, proceed as follows:

- Press the UP/DOWN button to scroll the menu, select **CONNECT**, then press the ENTER button to enter

- the next menù.
- Press the UP/DOWN button to select **WIRELESS** then press the ENTER button to store.
- Select **RESET CONNECT** to reset the unit and press the ENTER button to store.
- Press the MENU button to go back or to meet the waiting time to exit the setup menu.

3.9 BACKLIGHT

Backlight display Auto Off. This feature allows you to automatically turn off the backlight after a specified time that you can set using the arrow buttons. Set a value between those indicated to turn off the display once the chosen time has elapsed, after exiting the menu.

- Press the UP/DOWN button to scroll the menu, select **SET UP**, then press the ENTER button to enter the next menù.
- Press the UP/DOWN button to select **SCREEN** then press the ENTER button to store.
- Select the proposed option with the UP / DOWN button and press the ENTER button to confirm.
- Press the ENTER button to confirm the choice.
- Press the MENU button to go back or to meet the waiting time to exit the setup menu.

3.10 FLIP DISPLAY

Display orientation. This feature allows you to rotate the display by 180 ° to get a better view of the display when the unit is hanging upside down. Select ON to activate the function or OFF to deactivate it.

- Press the UP/DOWN button to scroll the menu, select **SET UP**, then press the ENTER button to enter the next menù.
- Press the UP/DOWN button to select **SCREEN** then press the ENTER button to store.
- Select the proposed option with the UP / DOWN button and press the ENTER button to confirm.
- Press the ENTER button to confirm the choice.
- Press the MENU button to go back or to meet the waiting time to exit the setup menu.

3.11 DIMMER

To enter the dimmer mode and choose and simulate different dimming curves.

- Press the UP/DOWN button to scroll the menu, select **SET UP**, then press the ENTER button to enter the next menù.
- Press the UP/DOWN button to select **ADJUST** and press the ENTER button to confirm.
- Select the proposed option with the UP / DOWN button and press the ENTER button to confirm.
- Press the ENTER button to confirm the choice.
- Press the MENU button to go back or to meet the waiting time to exit the setup menu.

3.12 CALIBRATION

Per lo SMARTMODULA is possible to calibrate the intensity of the color:

- Press the UP/DOWN button to scroll the menu, select **ADVANCED**, then press the ENTER button to enter the next menù.
- Press the UP/DOWN button to select **CALIBRATION** and press the ENTER button to confirm.
- Select the proposed option with the UP / DOWN button and press the ENTER button to confirm.
- Press the ENTER button to confirm the choice.
- Press the MENU button to go back or to meet the waiting time to exit the setup menu.
-

3.13 RELOAD DEFAULT

Select this function to restore the drive to default settings:

- Press the UP/DOWN button to scroll the menu, select **ADVANCED**, then press the ENTER button to enter the next menu.
- Press the UP/DOWN button to select **RELOAD DEFAULT** and press the ENTER button to confirm.
- Select the proposed option with the UP / DOWN button and press the ENTER button to confirm:
 - Basic Default:
 - Private Default:
 - All Default:
- Press the ENTER button to confirm the choice.
- Press the MENU button to go back or to meet the waiting time to exit the setup menu.

3.14 TIME INFO

Select this function to display the operating time of the projector on the display.

- Press the UP/DOWN button to scroll the menu, select **INFORMATION**, then press the ENTER button to enter the next menu.
- Press the UP/DOWN button to select **TIME INFO** and press the ENTER button to confirm and display the desired information.
- Press the MENU button to go back or to meet the waiting time to exit the setup menu.

3.15 SOFTWARE VERSION

Select this function to display the version of the installed software on the display.

- Press the UP/DOWN button to scroll the menu, select **INFORMATION**, then press the ENTER button to enter the next menu.
- Press the UP/DOWN button to select **SOFTWARE VERSION** and press the ENTER button to confirm and display the desired information.
- Press the MENU button to go back or to meet the waiting time to exit the setup menu.

3.16 STATIC MODE

The unit has preset pre-programmed colors that can be set through the following procedure:

- Press the UP/DOWN button to scroll the menu, select **STATIC**, then press the ENTER button to enter the next menu.
- Select **PRESETS** through the UP/DOWN button, then press the ENTER button to confirm.
- Set the color (**Red, Deep Orange, Light Orange, Yellow, Green, Sea Green, Aquamarine, Cyan, Blue, Violet, Purple, Magenta, Full RGB, White, Gradual**) through the UP/DOWN button, then press the ENTER button to confirm.
- Press the MENU button to go back or to meet the waiting time to exit the setup menu.

3.17 CONTROLLER IR

Make sure to point the controller directly at the IR receiver near the switch to turn on/off the SMARTMODULA.

Use the keys as below to access the functions.

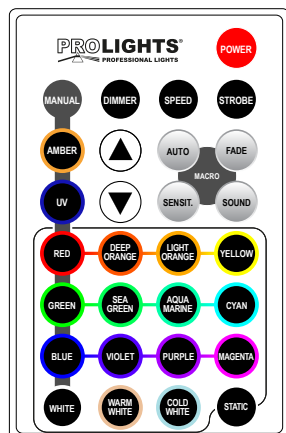


Fig.8

3.18 DMX CONTROL

1 CHANNEL

MODE	FUNCTION	DMX Value
1 Ch		
1	WHITE 0~100%	000 - 255

5 CHANNELS

MODE	FUNCTION	DMX Value
5 Ch		
1	DIMMER 0~100%	000 - 255
2	RED 0~100%	000 - 255
3	GREEN 0~100%	000 - 255
4	BLUE 0~100%	000 - 255
5	WHITE 0~100%	000 - 255

8 CHANNELS

MODE	FUNCTION	DMX Value
8 Ch		
1	DIMMER 0~100%	000 - 255
2	RED 0~100%	000 - 255
3	GREEN 0~100%	000 - 255
4	BLUE 0~100%	000 - 255
5	WHITE 0~100%	000 - 255
6	VIRTUAL COLOR No Function Red	000 - 015 016 - 025

6	Deep Orange	026 - 035
	Light Orange	036 - 045
	Light Orange	046 - 055
	Yellow	056 - 065
	Green	071 - 090
	Sea Green	066 - 075
	Aquamarine	076 - 085
	Cyan	086 - 095
	Blue	096 - 105
	Violet	106 - 115
	Purple	116 - 125
	Magenta	126 - 135
	Full RGB	136 - 145
	White	146 - 155
Gradual	156 - 255	
7	SHUTTER FUNCTION Normal Shutter Function Strobe effect slow to fast	000 - 031 032 - 255
	DIMMER FADE 0~100%	000 - 255

PIXCH

MODE	FUNCTION	DMX Value
PIXCH		
1	DIMMER 0~100%	000 - 255
2	VIRTUAL COLOR No Function	000 - 015
	Red	016 - 025
	Deep Orange	026 - 035
	Light Orange	036 - 045
	Light Orange	046 - 055
	Yellow	056 - 065
	Green	071 - 090
	Sea Green	066 - 075
	Aquamarine	076 - 085
	Cyan	086 - 095
	Blue	096 - 105
	Violet	106 - 115
	Purple	116 - 125
	Magenta	126 - 135
Full RGB	136 - 145	
White	146 - 155	
Gradual	156 - 255	
3	SHUTTER FUNCTION Normal Shutter Function Strobe effect slow to fast	000 - 031 032 - 255
	DIMMER FADE 0~100%	000 - 255

PIXCH

MODE PIXCH	FUNCTION	DMX Value
5	RED 1 0~100%	000 - 255
6	GREEN 1 0~100%	000 - 255
7	BLUE 1 0~100%	000 - 255
8	WHITE 1 0~100%	000 - 255
25	RED 6 0~100%	000 - 255
26	GREEN 6 0~100%	000 - 255
27	BLUE 6 0~100%	000 - 255
28	WHITE 6 0~100%	000 - 255

- 4 - MAINTENANCE

4.1 MAINTENANCE AND CLEANING THE UNIT

- Make sure the area below the installation place is free from unwanted persons during setup.
- Switch off the unit, unplug the main cable and wait until the unit has cooled down.
- All screws used for installing the device and any of its parts should be tightly fastened and should not be corroded.
- Housings, fixations and installation spots (ceiling, trusses, suspensions) should be totally free from any deformation.
- The main cables must be in impeccable condition and should be replaced immediately even when a small problem is detected.
- It is recommended to clean the front at regular intervals, from impurities caused by dust, smoke, or other particles to ensure that the light is radiated at maximum brightness. For cleaning, disconnect the main plug from the socket. Use a soft, clean cloth moistened with a mild detergent. Then carefully wipe the part dry. For cleaning other housing parts use only a soft, clean cloth. Never use a liquid, it might penetrate the unit and cause damage to it.

4.2 FUSE REPLACEMENT

1. Disconnect this product from the power outlet.
2. Remove the safety cap by a screwdriver.
3. Replace the blown fuse with a fuse of the exact same type and rating.
4. Install the safety cap, and reconnect power.

4.3 TROUBLESHOOTING

Problems	Possible causes	Checks and remedies
Fixture does not light up	<ul style="list-style-type: none"> • No mains supply • Dimmer fader set to 0 • All color faders set to 0 • Faulty LED • Faulty LED board 	<ul style="list-style-type: none"> • Check the power supply voltage • Increase the value of the dimmer channels • Increase the value of the color channels • Replace the LED board • Replace the LED board
General low light intensity	<ul style="list-style-type: none"> • Dirty lens assembly • Misaligned lens assembly 	<ul style="list-style-type: none"> • Clean the fixture regularly • Install lens assembly properly
Fixture does not power up	<ul style="list-style-type: none"> • No power • Loose or damaged power cord • Faulty internal power supply 	<ul style="list-style-type: none"> • Check for power on power outlet • Check power cord • Replace internal power supply
Fixture does not respond to DMX	<ul style="list-style-type: none"> • Wrong DMX addressing • Damaged DMX cables • Bouncing signals 	<ul style="list-style-type: none"> • Check control panel and unit addressing • Check DMX cables • Install terminator as suggested

Contact an authorized service center in case of technical problems or not reported in the table can not be resolved by the procedure given in the table.

Music & Lights S.r.l. si riserva ogni diritto di elaborazione in qualsiasi forma delle presenti istruzioni per l'uso.
La riproduzione - anche parziale - per propri scopi commerciali è vietata.

Al fine di migliorare la qualità dei prodotti, la Music&Lights S.r.l. si riserva la facoltà di modificare, in qualunque momento e senza preavviso, le specifiche menzionate nel presente manuale di istruzioni.
Tutte le revisioni e gli aggiornamenti sono disponibili nella sezione 'Manuali' sul sito www.musiclights.it

INDICE	Sicurezza	
	Avvertenze generali	4
	Attenzioni e precauzioni per l'installazione	4
	1 Introduzione	
	1.1 Descrizione	5
	1.2 Specifiche tecniche	5
	1.3 Specifiche tecniche MODULASPOTFC-DY	8
	1.4 Specifiche tecniche MODULAWASHFC-DY	8
	1.5 Caratteristiche della batteria	9
	1.6 Elementi di comando e di collegamento	10
	2 Installazione	
	2.1 Montaggio	11
	3 Funzioni e impostazioni	
	3.1 Funzionamento	13
	3.2 Impostazione base	13
	3.3 Struttura menu	14
	3.4 Modalità DMX	15
	3.5 Configurazione canali DMX	15
	3.6 Indirizzamento DMX	15
	3.7 Modalità Pixel	15
	3.8 Wireless	15
	3.9 Backlight	16
	3.10 Flip Display	16
	3.11 Dimmer	16
	3.12 Calibration	16
	3.13 Reload Default	16
	3.14 Time Info	17
	3.15 Software Version	17
	3.16 Modalità statica	17
	3.17 Controller IR	17
	3.18 Canali DMX	18
	4 Manutenzione	
	4.1 Manutenzione e pulizia del sistema ottico	20
	4.2 Sostituzione fusibile	20
	4.3 Risoluzione dei problemi	20

Contenuto dell'imballo:

- SMARTMODULA
 - Cavo di alimentazione
 - Manuale utente
-




ATTENZIONE! Prima di effettuare qualsiasi operazione con l'unità, leggere con attenzione questo manuale e conservarlo accuratamente per riferimenti futuri. Contiene informazioni importanti riguardo l'installazione, l'uso e la manutenzione dell'unità.



SICUREZZA

Avvertenze generali

- I prodotti a cui questo manuale si riferisce sono conformi alle Direttive della Comunità Europea e pertanto recano la sigla **CE**.
- Il dispositivo funziona con pericolosa tensione di rete 230V~. Non intervenire mai al suo interno al di fuori delle operazioni descritte nel presente manuale; esiste il pericolo di una scarica elettrica.
- È obbligatorio effettuare il collegamento ad un impianto di alimentazione dotato di un'efficiente messa a terra (apparecchio di Classe I secondo norma EN 60598-1). Si raccomanda, inoltre, di proteggere le linee di alimentazione delle unità dai contatti indiretti e/o cortocircuiti verso massa tramite l'uso di interruttori differenziali opportunamente dimensionati.
- Le operazioni di collegamento alla rete di distribuzione dell'energia elettrica devono essere effettuate da un installatore elettrico qualificato. Verificare che frequenza e tensione della rete corrispondono alla frequenza ed alla tensione per cui l'unità è predisposta, indicate sulla targhetta dei dati elettrici.
- L'unità non per uso domestico, solo per uso professionale.
- Evitare di utilizzare l'unità:
 - in luoghi soggetti a vibrazioni, o a possibili urti;
 - in luoghi a temperatura superiore ai 45°C.
- Evitare che nell'unità penetrino liquidi infiammabili, acqua o oggetti metallici.
- Non smontare e non apportare modifiche all'unità.
- Tutti gli interventi devono essere sempre e solo effettuati da personale tecnico qualificato. Rivolgersi al più vicino centro di assistenza tecnica autorizzato.
- Se si desidera eliminare il dispositivo definitivamente, consegnarlo  per lo smaltimento ad un'istituzione locale per il riciclaggio.

Attenzioni e precauzioni per l'installazione

- Se il dispositivo dovesse trovarsi ad operare in condizioni differenti da quelle descritte nel presente manuale, potrebbero verificarsi dei danni; in tal caso la garanzia verrebbe a decadere. Inoltre, ogni altra operazione potrebbe provocare cortocircuiti, incendi, scosse elettriche, rotture etc.
- Prima di iniziare qualsiasi operazione di manutenzione o pulizia sull'unità togliere la tensione dalla rete di alimentazione.
- È assolutamente necessario proteggere l'unità per mezzo di una fune di sicurezza. Nell'eseguire qualsiasi intervento attenersi scrupolosamente a tutte le normative (in materia di sicurezza) vigenti nel paese di utilizzo.
- Installare l'unità in un luogo ben ventilato.
- Mantenere i materiali infiammabili ad una distanza di sicurezza dall'unità.
- I filtri, le lenti o gli schermi ultravioletti se danneggiati possono limitare la loro efficienza.
- I LED devono essere sostituiti se danneggiati o termicamente deformati.
- Non guardare direttamente il fascio luminoso. Tenete presente che i veloci cambi di luce possono provocare attacchi d'epilessia presso persone fotosensibili o epilettiche.
- Non toccare l'alloggiamento del prodotto quando è in funzione perché potrebbe essere molto caldo.

- 1 - INTRODUZIONE

1.1 DESCRIZIONE

SMARTMODULA è un dispositivo senza cavi, a batteria, che stabilisce una nuova tipologia di decorazione luminosa per venti, banchetti e giardini. Il suo montaggio modulare permette l'utilizzo in posizione sul pavimento o fissato come una barra e facilmente trasportabile quando è smontato. Le 4 sorgenti luminose sono regolabili e possono scorrere sulla track per una perfetta messa a fuoco, e intercambiabili tra Spot e Wash o configurazioni miste.

SMARTMODULA (componenti principali da completare con gli accessori) include:

- Base metallica per pavimento
- Base con barra di supporto
- Barra con lunghezza regolabile
- Barra con traccia luminosa ed elettronica (contiene 1 batteria)

ACCESSORI OPTZIONALI per completare l'elemento:

- MODULASPOT: 2pz di Spot LED Dot con 1 sorgente LED fascio di 12°, disponibile in FC o White color mixing (max 6 pzsu ogni SMARTMODULA)
- MODULAWASH: 1pz wash LED strip con 12x3W LED, fascio di 60°, disponibile in FC or WHite color mixing (max 1 pz osu ogni SmartModula + 2 Spot)
- MODULABBAT: 1pz di batteria supplementare da installare all'interno della base per prolungare il funzionamento della batteria (max 2 pz MODULABBAT per ogni piastra metallica)

Caratteristiche:

MODULA permette il montaggio a pavimento con giunti snodati flessibili e supporto ribaltabile o sospeso con staffe ad attacco rapido.

La base ospita uno spazio per la batteria supplementare (opzionale) e il supporto può essere regolato in altezza.

1.2 SPECIFICHE TECNICHE

SORGENTE DI LUCE

- Source: W Light source is supplied as accessory as SPOT or WASH, FC or White
- CT: Optional - FC or WH SPOT 5600 K or WH WASK 6400 K
- Source Life Expectancy: >30.000 h
- Other: Light source is supplied as accessory as SPOT or WASH, FC or White

OTTICHE

- Beam Angle: SPOT (Opt) 15°; WASH (Opt) 60 °

SISTEMA COLORE

- Color Mixing: Interchangeable light source: SPOTS or WASH with FullColor or White LED source

DYNAMIC EFFECTS

- Static Color: Selection of static color
- Manual Color Mode: Manual adjustment of color
- Auto Mode: Built-in programs with execution speed adjustment

CORPO

- Hardware On-board: See the Introduction description

- Pan Angle:360 ° with manual regulation
- Tilt Angle:120 ° Manual
- Body:Sturdy stretching aluminium body conceived for long-time durability
- Body Color:Matte black

CONTROLLO

- Protocols: WDMX
- Pixel Control: Pixel2Pixel control
- W-DMX: Included, Wireless Solution receiver
- Display: Black OLED high resolution display
- IR: Infra-Red sensor controlled by remote

ELECTRONICA

- Dimmer: Linear 0~100% electronic dimmer
- Strobe/Shutter:1~25 Hz, electronic
- Operating Temperature: -10° ~ +40°
- Flicker: Flicker free operation

ALIMENTAZIONE

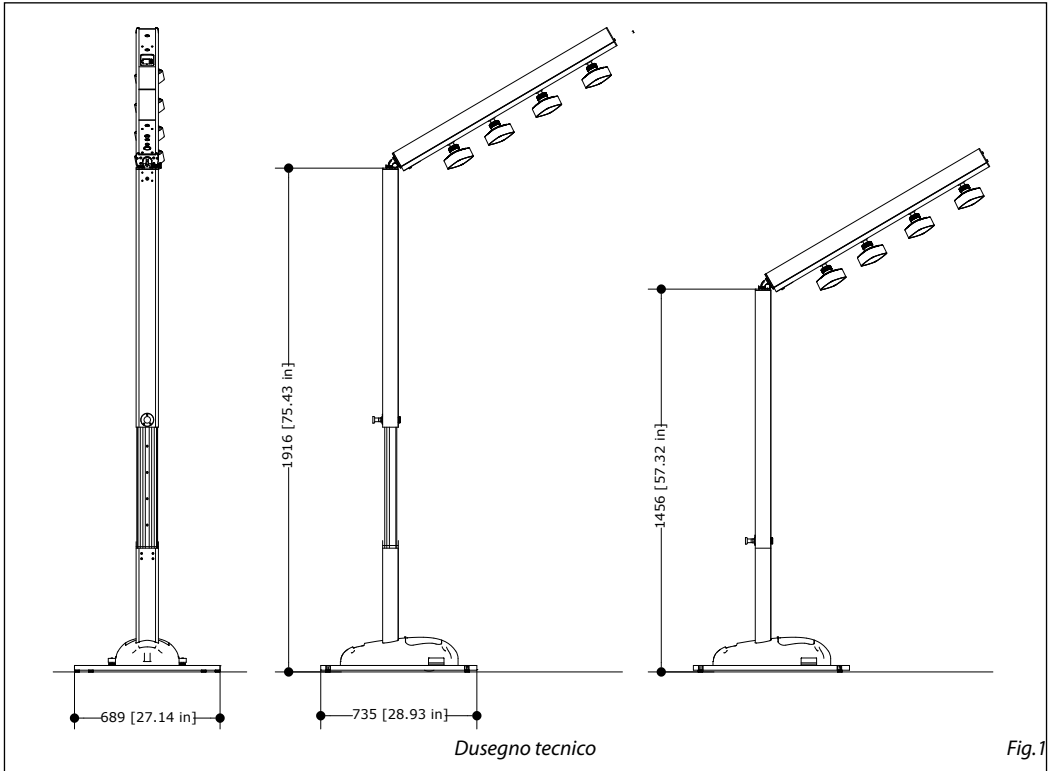
- Power Supply: 100-240V – 50/60Hz

BATTERIA

- Battery:(Head) 1x14.8 V - (Base - optional) 1x14.8 V Lithium
- Autonomy in color change mode, up to:refer to user manual for max h
- Autonomy in single color mode, up to:refer to user manual for max h
- Autonomy in full-on, up to:refer to user manual for 8 max h
- Recharge Connection: Power cable
- Recharge Time:Head battery 5,5 h/max Base battery 8 h/max
- Battery Status: LED battery status indicator
- Other:Check User manual for further information about battery autonomy for all possible compositions

CARATTERISTICHE FISICHE

- Cooling: Natural cooling of the peculiar chassis and to absence of fans
- Suspension And Fixing: Hanging bracket suitable for safe hanging and positioning
- Power Connection: PowerCON TRUE1 in
- IP:20
- Dimensions (WxHxD): 735x(1456~1916)x958 mm
- Weight:w/o baseplate 23,5Kg, with baseplate 38,5 kg



1.3 SPECIFICHE TECNICHE MODULASPOTFC-DY

SORGENTE LUMINOSA

- Source:(FC) 1x10 W - (DY) 1x3 W LEDs
- CT:(DY) 5600 K
- CRI:(DY) 70,9 - (FC) 37.6 Ra
- Luminous Flux:(1xDY) 194 lm - (1xFC) 254 lm
- Lux:(1xDY) 5320 lx - (1xFC) 5150 lux @1m Full
- Lux:(1xDY) 477 lx - (1xFC) 453 lux @3m Full
- Source Life Expectancy: >50.000 h
- Other:Max 6pc Modulaspot per Smartmodula

OTTICHE

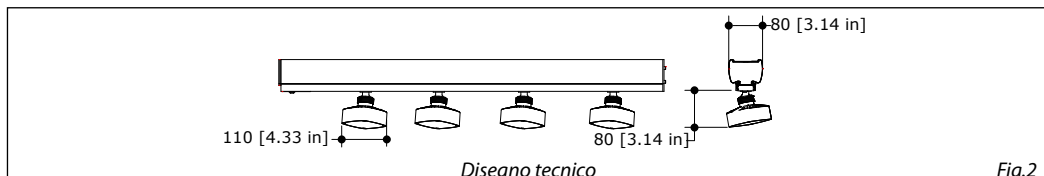
- Beam Angle:15 °
- Field Angle:23 °

ALIMENTAZIONE

- Power Consumption:(Single) 2,25W - (Full) 7,5W

CARATTERISTICHE FISICHE

- Dimensions (WxHxD):80x80x110 mm
- Weight:0,25 kg



1.4 SPECIFICHE TECNICHE MODULAWASHFC-DY

SORGENTE LUMINOSA

- Source:(FC) 12x6 W - (DY) 12x3 W LEDs
- CT:(DY) 6400 K
- CRI:(DY) 81 Ra
- Luminous Flux:(DY) 1213 lm - (FC) 2778 lm
- Lux:(DY) 3800 lux - (FC) 8340 lux @1m Full
- Lux:(DY) 468 lux - (FC) 1110 lux @3m Full
- Source Life Expectancy: >50.000 h
- Other:Max 1pc Modulawash per Smartmodula (+2pcs SPOT)

OTTICHE

- Beam Angle:60 °
- Field Angle:65 °

ALIMENTAZIONE

- Power Consumption:(Single FC) 27 W - (Single DY) 15w

CARATTERISTICHE FISICHE

- Dimensions (WxHxD):500x55x55 mm
- Weight:0,8 kg

1.6 ELEMENTI DI COMANDO E COLLEGAMENTI

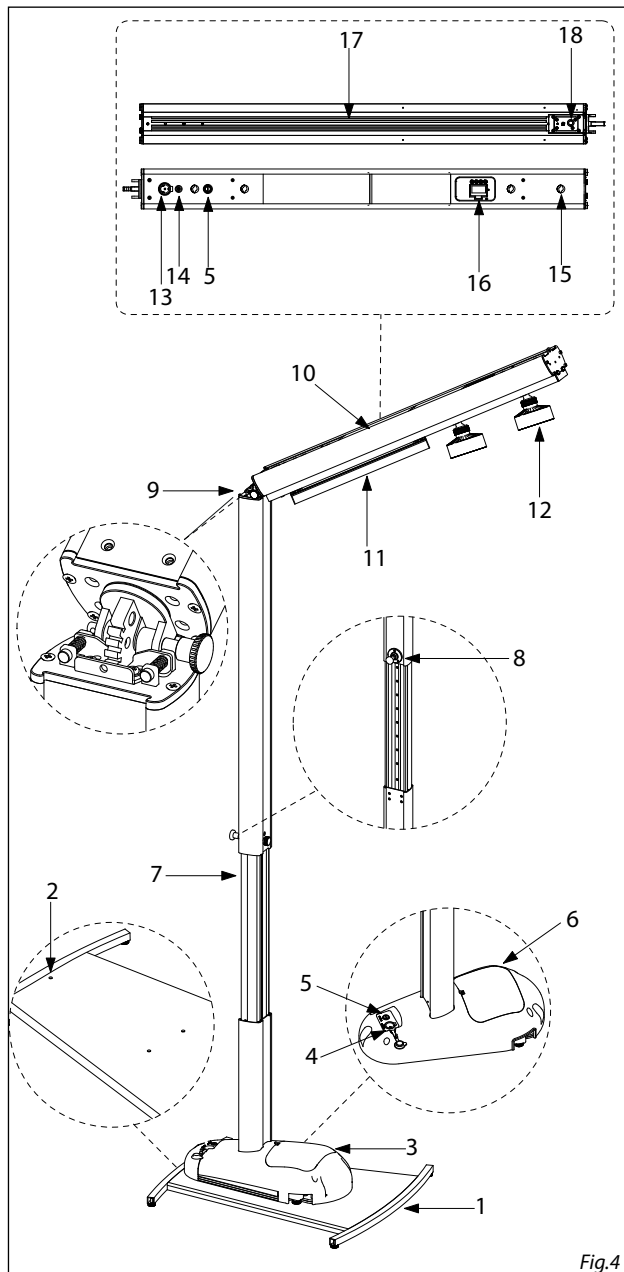


Fig.4

1. BASE METALLICA
2. FORI FILETTATI M8
3. BASE per bilanciare il peso
4. POWER IN (PowerCON IN); per il collegamento ad una presa di rete (100-240V~/50-60Hz) tramite il cavo rete in dotazione.
5. FUSIBILE
6. SLOT per inserire la batteria supplementare MODULABBAT.
7. PROFILO SCORREVOLE
8. SISTEMA DI BLOCCAGGIO
9. GIUNTO GIREVOLE
10. BARRA
11. MODULAWASH
12. MODULASPOT
13. POWER IN (PowerCON IN); per il collegamento ad una presa di rete (100-240V~/50-60Hz) tramite il cavo rete in dotazione.
14. INGRESSO per cavo DC IN 24V.
15. FORO per gancio.
16. PANNELLO DI CONTROLLO con display OLED e 4 pulsanti per accesso e gestione delle diverse funzioni.
17. TRACK per alimentare i MODULASPOT/WASH.
18. INTERRUTTORE ON/OFF per spegnere e accendere lo SMARTMODULA.

- 2 - INSTALLAZIONE

2.1 MONTAGGIO

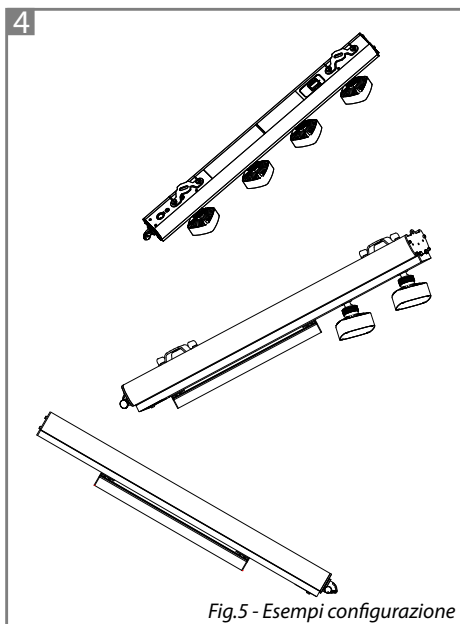
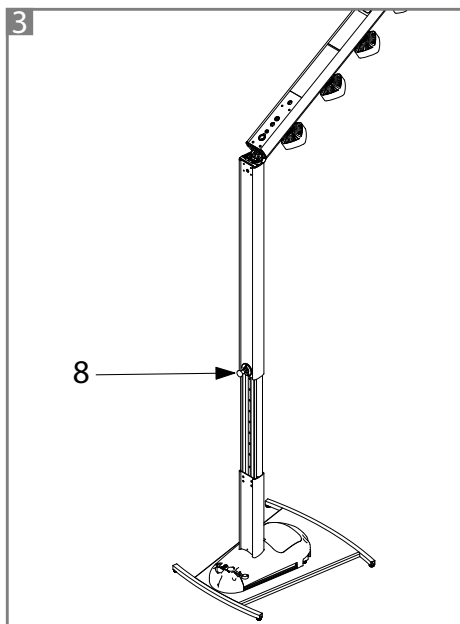
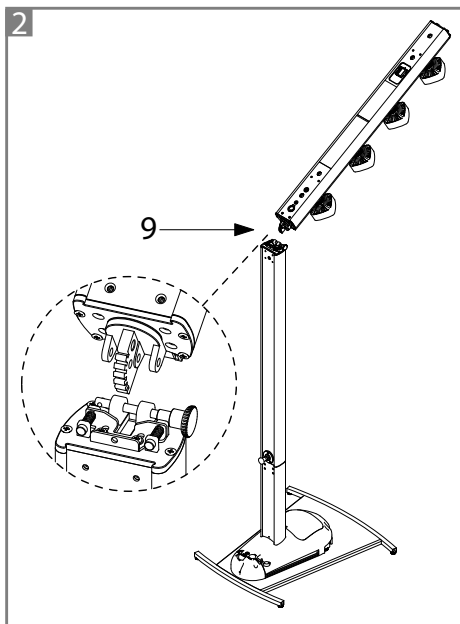
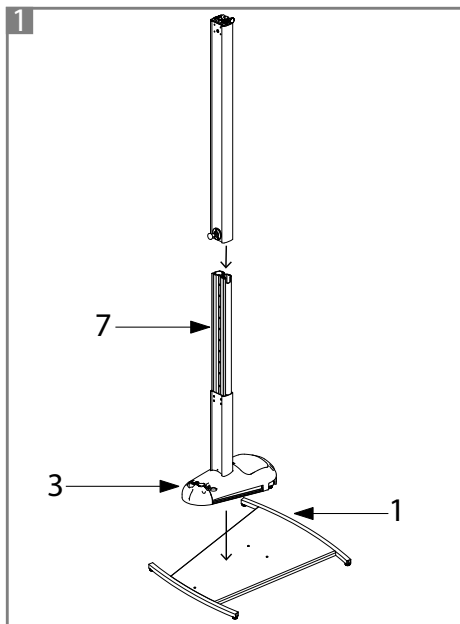


Fig.5 - Esempi configurazione

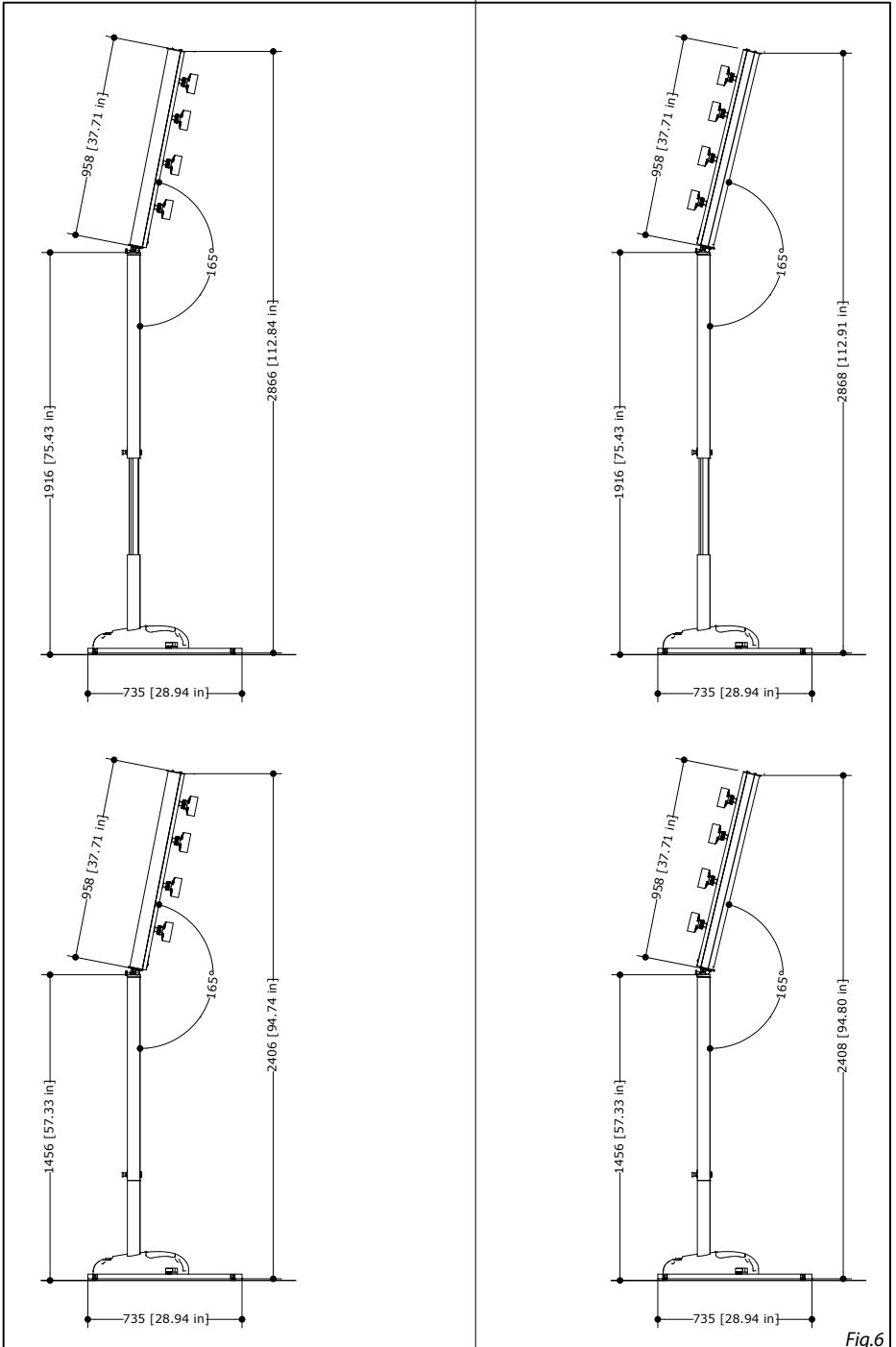


Fig.6

- 3 - FUNZIONI E IMPOSTAZIONI

3.1 FUNZIONAMENTO

Per accendere lo SMARTMODULA, inserire la spina del cavo di alimentazione in una presa di rete (100-240V~/50-60Hz). L'unità può essere comandata da un unità DMX di comando luce oppure svolgere autonomamente il suo programma. Per spegnere lo SMARTMODULA, staccare la spina dalla presa di rete. Per maggiore comodità è consigliabile collegare l'unità con una presa comandata da un interruttore.

3.2 IMPOSTAZIONE BASE

Lo SMARTMODULA dispone di un display OLED e 4 pulsanti per accesso alle funzioni del pannello di controllo (fig.4).

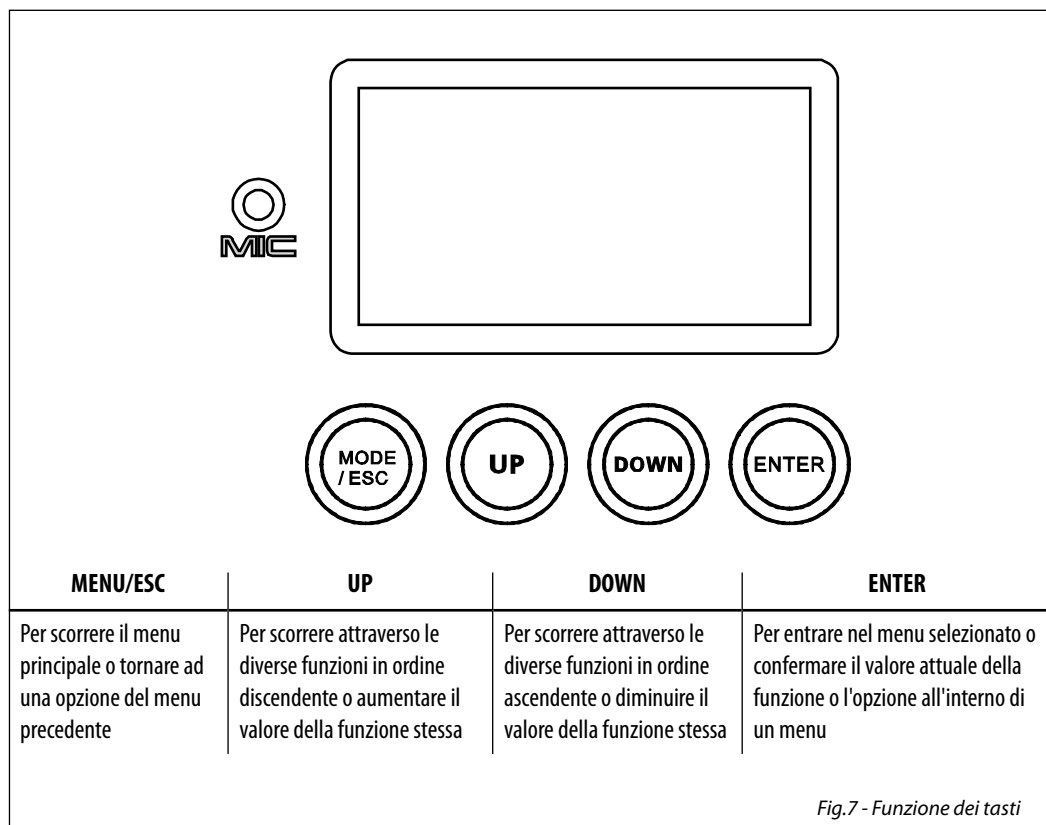


Fig.7 - Funzione dei tasti

3.3 STRUTTURA MENU

MENU			
1	CONNECT	⇒ DMX Address	⇒ Value (001-485)
		DMX Mode	⇒ 1CH 5CH 8CH PIXCH
		Pixel	⇒ Order ⇒ (001-006)
		Wireless	⇒ Reset Connect ⇒ NO-Yes
2	SETUP	⇒ Screen	⇒ Back Light Flip Display ⇒ 2 ~ 99m NO-Yes
		Adjust	⇒ Dimmer
3	ADVANCED	⇒ Calibration	⇒ Password Red Green Blue White ⇒ Value (001-255)
		Reload Default	⇒ Basic Default ⇒ OFF-On Password ⇒ OFF-On Private Default ⇒ OFF-On All Default ⇒ OFF-On
4	INFORMATION	⇒ Time Info Software version	⇒ Current V1.0
5	STATIC	⇒ Presets	⇒ Red Deep Orange Light Orange Yellow Green Sea Green Aquamarine Cyan Blue Violet Purple Magenta Full RGB White Gradual

3.4 MODALITÀ DMX

- Per impostare l'indirizzo DMX, premere il tasto MENU fino a quando sul display non appare **CONNECT**, dopodichè selezionare **DMX ADDRESS**, quindi premere il tasto ENTER.
- Premere il tasto UP/DOWN per selezionare il valore desiderato (**001-485**); tenere premuto invece il tasto UP/DOWN per lo scorrimento veloce. Premere il tasto ENTER per confermare l'impostazione.

3.5 CONFIGURAZIONE CANALI DMX

Lo SMARTMODULA dispone di diverse configurazioni dei canali DMX a cui si può accedere dal pannello di controllo.

- Premere il tasto MENU fino a quando sul display non appare **CONNECT**, dopodichè selezionare **DMX MODE**, quindi premere il tasto ENTER.
- Attraverso i tasti UP/DOWN selezionare la configurazione dei canali DMX che si desidera (**1CH - 5CH - 8CH, PIXCH**). Premere il tasto ENTER per confermare.

Le tabelle a pagina 18 e 19 indicano le modalità di funzionamento e i relativi valori DMX.

3.6 INDIRIZZAMENTO DMX

Per poter comandare lo SMARTMODULA con un'unità di comando luce, occorre impostare l'indirizzo di start DMX per il primo canale DMX. Se, per esempio, sull'unità di comando è previsto l'indirizzo 33 per comandare la funzione del primo canale DMX, si deve impostare sullo SMARTMODULA l'indirizzo di start 33. Le altre funzioni del pannello saranno assegnate automaticamente agli indirizzi successivi.

Numero canali DMX	Indirizzo di start (esempio)	Indirizzo DMX occupati	Prossimo indirizzo di start possibile per unità n°1	Prossimo indirizzo di start possibile per unità n°2	Prossimo indirizzo di start possibile per unità n°3
1	33	33	34	35	36
5	33	33-37	38	43	48
8	33	33-40	41	49	57

3.7 PIXEL

- Imposta un numero di ordine in Dot & Strip. Se si desidera impostare un numero di ordine con Dot/Strip, è necessario rimuovere gli elementi inseriti. E' possibile impostare uno stesso numero d'ordine con più elementi, inserendoli tutti nella barra. Quindi è necessario accedere al menu di impostazione del numero dell'ordine (**CONNECT -> PIXEL-> ORDER**), utilizzare "SU / GIÙ" per selezionare il numero e premere "INVIO" per confermare. E' possibile inserire fino a 6 elementi.
- Premere il pulsante SU / GIÙ per scorrere il menu, selezionare **CONNECT** quindi premere il pulsante ENTER per accedere al menu successivo.
- Premere il pulsante SU / GIÙ per selezionare PIXEL, quindi premere il pulsante ENTER per procedere.
- Premere ripetutamente il pulsante MENU per uscire dal menu e salvare le modifiche apportate.
- NOTA: il controllo pixel non può funzionare mentre si utilizza il telecomando IR.
- NOTA: quando la barra di scorrimento è in cortocircuito, la batteria si spegne per protezione. E questa protezione sarà alleviata se la ricaricherai per qualche minuto.

3.8 WIRELESS

- Per impostare la modalità di funzionamento del wireless, premere il tasto UP/DOWN per scorrere nel menu, selezionare **CONNECT** quindi premere il tasto ENTER per accedere al menu successivo.
- Premere il tasto UP/DOWN per selezionare **WIRELESS** e premere il tasto ENTER per procedere.

- Selezionare **RESET CONNECT** per effettuare il reset dell'unità e premere il tasto ENTER per confermare.
- Premere il tasto MENU più volte per uscire dal menu e per salvare le modifiche apportate.

3.9 BACKLIGHT

Retroilluminazione display Auto Off. Questa funzione permette di spegnere automaticamente la retroilluminazione del display dopo un determinato tempo che può essere impostato tramite i tasti direzionali. Impostare un valore tra quelli indicati per far spegnere il display una volta trascorso il tempo scelto, dopo l'uscita dal menu.

- Premere il tasto UP/DOWN per scorrere nel menu, selezionare **SET UP**, quindi premere il tasto ENTER per accedere al menu successivo.
- Premere il tasto UP/DOWN per selezionare **SCREEN** e premere il tasto ENTER per procedere.
- Selezionare l'opzione proposta con il tasto UP/DOWN e premere il tasto ENTER per confermare.
- Premere il tasto ENTER per confermare la scelta.
- Premere il tasto MENU più volte per uscire dal menu e per salvare le modifiche apportate.

3.10 FLIP DISPLAY

Orientamento del display. Questa funzione permette di ruotare il display di 180° per ottenere una migliore visualizzazione del display quando l'unità è appesa a testa in giù. Selezionare ON per attivare la funzione oppure OFF per disattivarla.

- Premere il tasto UP/DOWN per scorrere nel menu, selezionare **SET UP**, quindi premere il tasto ENTER per accedere al menu successivo.
- Premere il tasto UP/DOWN per selezionare **SCREEN** e premere il tasto ENTER per procedere.
- Selezionare l'opzione proposta con il tasto UP/DOWN e premere il tasto ENTER per confermare.
- Premere il tasto ENTER per confermare la scelta.
- Premere il tasto MENU più volte per uscire dal menu e per salvare le modifiche apportate.

3.11 DIMMER

Per entrare nella modalità dimmer e scegliere e simulare diverse curve dimming.

- Premere il tasto UP/DOWN per scorrere nel menu, selezionare **SET UP**, quindi premere il tasto ENTER per accedere al menu successivo.
- Premere il tasto UP/DOWN per selezionare **ADJUST** e premere il tasto ENTER per procedere.
- Selezionare l'opzione proposta con il tasto UP/DOWN e premere il tasto ENTER per confermare.
- Premere il tasto ENTER per confermare la scelta.

Premere il tasto MENU più volte per uscire dal menu e per salvare le modifiche apportate.

3.12 CALIBRATION

Perlo SARTMODULA è possibile calibrare l'intensità del colore:

- Premere il tasto UP/DOWN per scorrere nel menu, selezionare **ADVANCED**, quindi premere il tasto ENTER per accedere al menu successivo.
- Premere il tasto UP/DOWN per selezionare **CALIBRATION** e premere il tasto ENTER per procedere.
- Selezionare l'opzione proposta con il tasto UP/DOWN e premere il tasto ENTER per confermare.
- Premere il tasto ENTER per confermare la scelta.

Premere il tasto MENU più volte per uscire dal menu e per salvare le modifiche apportate.

3.13 RELOAD DEFAULT

Selezionare questa funzione per ripristinare l'unità alle impostazioni di fabbrica:

- Premere il tasto UP/DOWN per scorrere nel menu, selezionare **ADVANCED**, quindi premere il tasto ENTER per accedere al menu successivo.
 - Premere il tasto UP/DOWN per selezionare **RELOAD DEFAULT** e premere il tasto ENTER per procedere.
 - Selezionare l'opzione desiderata con il tasto UP/DOWN e premere il tasto ENTER per confermare:
 - Basic Default:
 - Private Default:
 - All Default:
 - Premere il tasto ENTER per confermare la scelta.
- Premere il tasto MENU più volte per uscire dal menu e per salvare le modifiche apportate.

3.14 TIME INFO

Selezionare questa funzione per visualizzare sul display il tempo di funzionamento del proiettore.

- Premere il tasto UP/DOWN per scorrere nel menu, selezionare **INFORMATION**, quindi premere il tasto ENTER per accedere al menu successivo.
- Premere il tasto UP/DOWN per selezionare **TIME INFO** e premere il tasto ENTER per confermare e visualizzare l'informazione desiderata.
- Premere il tasto MENU più volte per uscire dal menu e per salvare le modifiche apportate.

3.15 SOFTWARE VERSION

Selezionare questa funzione per visualizzare sul display la versione del software installata.

- Premere il tasto UP/DOWN per scorrere nel menu, selezionare **INFORMATION**, quindi premere il tasto ENTER per accedere al menu successivo.
- Premere il tasto UP/DOWN per selezionare **SOFTWARE VERSION** e premere il tasto ENTER per confermare e visualizzare l'informazione desiderata.

Premere il tasto MENU più volte per uscire dal menu e per salvare le modifiche apportate.

3.16 MODALITÀ STATICA

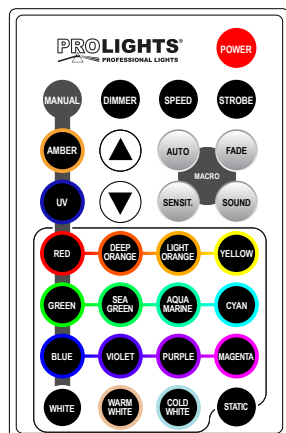
L'unità dispone di preset colori pre-programmati che possono essere impostati attraverso la seguente procedura:

- Premere il tasto MENU fino a quando sul display non appare **STATIC**, quindi premere il tasto ENTER.
- Selezionare **PRESETS** attraverso i tasti UP/DOWN, quindi premere il tasto ENTER.
- Impostare il colore (**Red, Deep Orange, Light Orange, Yellow, Green, Sea Green, Aquamarine, Cyan, Blue, Violet, Purple, Magenta, Full RGB, White, Gradual**) attraverso i tasti UP/DOWN, quindi premere il tasto ENTER.
- Premere il tasto MENU per tornare indietro o attendere alcuni secondi per uscire dal menu di impostazione.

3.17 CONTROLLER IR

Assicurarsi di puntare il telecomando direttamente verso il ricevitore IR posto vicino l'interruttore per accendere/spengere lo SMARTMODULA.

Utilizzare i tasti come di seguito per accedere alle funzioni.



3.18 CANALI DMX

1 CANALE

MODE 1 Ch	FUNCTION	DMX Value
1	WHITE 0~100%	000 - 255

5 CANALI

MODE 5 Ch	FUNCTION	DMX Value
1	DIMMER 0~100%	000 - 255
2	RED 0~100%	000 - 255
3	GREEN 0~100%	000 - 255
4	BLUE 0~100%	000 - 255
5	WHITE 0~100%	000 - 255

8 CANALI

MODE 8 Ch	FUNCTION	DMX Value
1	DIMMER 0~100%	000 - 255
2	RED 0~100%	000 - 255
3	GREEN 0~100%	000 - 255
4	BLUE 0~100%	000 - 255
5	WHITE 0~100%	000 - 255
6	VIRTUAL COLOR No Function Red	000 - 015 016 - 025

6	Deep Orange	026 - 035
	Light Orange	036 - 045
	Light Orange	046 - 055
	Yellow	056 - 065
	Green	071 - 090
	Sea Green	066 - 075
	Aquamarine	076 - 085
	Cyan	086 - 095
	Blue	096 - 105
	Violet	106 - 115
	Purple	116 - 125
	Magenta	126 - 135
	Full RGB	136 - 145
	White	146 - 155
Gradual	156 - 255	
7	SHUTTER FUNCTION Normal Shutter Function Strobe effect slow to fast	000 - 031 032 - 255
	DIMMER FADE 0~100%	000 - 255

PIXCH

MODE PIXCH	FUNCTION	DMX Value
1	DIMMER 0~100%	000 - 255
2	VIRTUAL COLOR No Function	000 - 015
	Red	016 - 025
	Deep Orange	026 - 035
	Light Orange	036 - 045
	Light Orange	046 - 055
	Yellow	056 - 065
	Green	071 - 090
	Sea Green	066 - 075
	Aquamarine	076 - 085
	Cyan	086 - 095
	Blue	096 - 105
	Violet	106 - 115
	Purple	116 - 125
	Magenta	126 - 135
Full RGB	136 - 145	
White	146 - 155	
Gradual	156 - 255	
3	SHUTTER FUNCTION Normal Shutter Function Strobe effect slow to fast	000 - 031 032 - 255
	DIMMER FADE 0~100%	000 - 255

PIXCH

MODE PIXCH	FUNCTION	DMX Value
5	RED 1 0~100%	000 - 255
6	GREEN 1 0~100%	000 - 255
7	BLUE 1 0~100%	000 - 255
8	WHITE 1 0~100%	000 - 255
25	RED 6 0~100%	000 - 255
26	GREEN 6 0~100%	000 - 255
27	BLUE 6 0~100%	000 - 255
28	WHITE 6 0~100%	000 - 255

- 4 - MANUTENZIONE

4.1 MANUTENZIONE E PULIZIA DEL SISTEMA OTTICO

- Durante gli interventi, assicurarsi che l'area sotto il luogo di installazione sia libera da personale non qualificato.
- Spegnerne l'unità, scollegare il cavo di alimentazione ed aspettare finché l'unità non si sia raffreddata.
- Tutte le viti utilizzate per l'installazione dell'unità e le sue parti devono essere assicurate saldamente e non devono essere corrose.
- Alloggiamenti, elementi di fissaggio e di installazione (soffitto, truss, sospensioni) devono essere totalmente esenti da qualsiasi deformazione.
- I cavi di alimentazione devono essere in condizione impeccabile e devono essere sostituiti immediatamente nel momento in cui anche un piccolo problema viene rilevato.
- Si dovrebbe procedere, ad intervalli regolari, alla pulizia della parte frontale per asportare polvere, fumo e altre particelle. Solo così, la luce può essere irradiata con la luminosità massima. Per la pulizia usare un panno morbido, pulito e un detergente per vetri come si trovano in commercio. Quindi asciugare le parti delicatamente.

4.2 SOSTITUZIONE FUSIBILE

1. Assicurarsi di scollegare il cavo di alimentazione del proiettore prima di sostituire un fusibile bruciato con uno dello stesso tipo e valore.
2. Con un cacciavite, rimuovere il portafusibile dalla sua sede e il fusibile bruciato dal suo supporto; sostituire il fusibile con uno identico per tipologia e valore.
3. Inserire il portafusibile al suo posto e ricollegare l'alimentazione.

4.3 RISOLUZIONE DEI PROBLEMI

Anomalie	Possibili cause	Controlli e rimedi
Il dispositivo non illumina	<ul style="list-style-type: none"> • Mancanza di alimentazione di rete • Dimmer impostato a 0 • Tutti i colori impostati a 0 • LED difettoso/i • Scheda LED difettosa 	<ul style="list-style-type: none"> • Verificare la presenza della tensione alimentazione • Incrementare i valori del canale dimmer • Incrementare i valori dei canali colori • Sostituire scheda LED • Sostituire scheda LED
Bassa intensità di luce generale	<ul style="list-style-type: none"> • Lenti sporche 	<ul style="list-style-type: none"> • Pulire il dispositivo regolarmente
Il dispositivo non è alimentato	<ul style="list-style-type: none"> • Mancanza di alimentazione di rete • Cavo di alimentazione danneggiato • Alimentatore interno difettoso 	<ul style="list-style-type: none"> • Verificare la presenza della tensione alimentazione • Controllare il cavo di alimentazione • Sostituire l'alimentatore interno
Il dispositivo non risponde al DMX	<ul style="list-style-type: none"> • Indirizzamento DMX errato • Cavo di segnale DMX difettoso • Rimbalzo segnale DMX 	<ul style="list-style-type: none"> • Controllare il pannello di controllo e l'indirizzamento delle unità • Controllare il cavo di segnale DMX • Installare una terminazione DMX come suggerito

Rivolgersi a un centro di assistenza tecnico autorizzato nel caso in cui il problema non sia riportato in tabella.

Note

