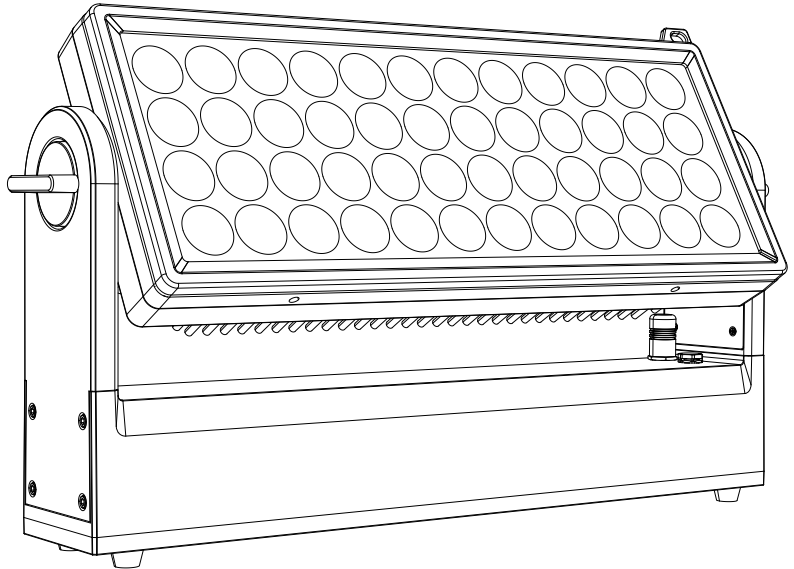


SOLAR48Q

OUTDOOR COMPACT WASHLIGHT



USER MANUAL
MANUALE UTENTE

All rights reserved by Music & Lights S.r.l. No part of this instruction manual may be reproduced in any form or by any means for any commercial use.

In order to improve the quality of products, Music&Lights S.r.l. reserves the right to modify the characteristics stated in this instruction manual at any time and without prior notice.

All revisions and updates are available in the 'manuals' section on site www.musiclights.it

TABLE OF CONTENTS**Safety**

General instructions	2
Warnings and installation precautions	2

1 Introduction

1.1 Description	3
1.2 Technical specifications	3
1.3 Operating elements and connections	5

2 Installation

2.1 Mounting	6
--------------------	---

3 Functions and settings

3.1 Operation	7
3.2 Basic	7
3.3 Menu structure	8
3.4 DMX addressing	9
3.5 DMX configuration	10
3.6 Wireless settings	10
3.7 Screen	10
3.8 Fixture settings	11
3.9 Information	11
3.10 Master/Slave	12
3.11 Effects mode	12
3.12 Static mode	12
3.13 Manual mode	12
3.14 Connection of the DMX line	13
3.15 Construction of the DMX termination	13
3.16 DMX control	14

4 Maintenance

4.1 Maintenance and cleaning the unit	17
4.2 Trouble shooting	17

Packing content

- SOLAR48Q
- S48QFILTER60
- Power cable
- User manual



WARNING! Before carrying out any operations with the unit, carefully read this instruction manual and keep it with care for future reference. It contains important information about the installation, usage and maintenance of the unit.



SAFETY

General instruction

- The products referred to in this manual conform to the European Community Directives and are therefore marked with $\text{c}\ddot{\text{e}}$.
- The unit is supplied with hazardous network voltage (230V~). Leave servicing to skilled personnel only. Never make any modifications on the unit not described in this instruction manual, otherwise you will risk an electric shock.
- Connection must be made to a power supply system fitted with efficient earthing (Class I appliance according to standard EN 60598-1). It is, moreover, recommended to protect the supply lines of the units from indirect contact and/or shorting to earth by using appropriately sized residual current devices.
- The connection to the main network of electric distribution must be carried out by a qualified electrical installer. Check that the main frequency and voltage correspond to those for which the unit is designed as given on the electrical data label.
- This unit is not for home use, only professional applications.
- Never use the fixture under the following conditions:
 - in places subject to vibrations or bumps;
 - in places with an ambient temperature of over 50°C.
- Make certain that no inflammable liquids, water or metal objects enter the fixture.
- Do not dismantle or modify the fixture.
- All work must always be carried out by qualified technical personnel. Contact the nearest sales point for an inspection or contact the manufacturer directly.
- If the unit is to be put out of operation definitively, take it to a local recycling plant for a disposal which is not harmful to the environment.



Warnings and installation precautions

- If this device will be operated in any way different to the one described in this manual, it may suffer damage and the guarantee becomes void. Furthermore, any other operation may lead to dangers like short circuit, burns, electric shock, etc.
- Before starting any maintenance work or cleaning the projector, cut off power from the main supply.
- When carrying out any work, always comply scrupulously with all the regulations (particularly regarding safety) currently in force in the country in which the fixture's being used.
- The minimum distance between the fixture and surrounding walls must be more than 50 cm and the air vents at the housing must not be covered in any case.
- Keep any inflammable material at a safe distance from the fixture.
- The maximum temperature that can be reached on the external surface of the fitting, in a thermally steady state, is high. After power off, please cool down over 15 minutes.
- Shields, lenses or ultraviolet screens shall be changed if they have become damaged to such an extent that their effectiveness is impaired.
- The lamp (LED) shall be changed if it has become damaged or thermally deformed.
- Never look directly at the light beam. Please note that fast changes in lighting, e. g. flashing light, may trigger epileptic seizures in photosensitive persons or persons with epilepsy.
- This product was designed and built strictly for the use indicated in this documentation. Any other use, not expressly indicated here, could compromise the good condition/operation of the product and/or be a source of danger.
- We decline any liability deriving from improper use of the product.

- 1 - INTRODUCTION

1.1 DESCRIPTION

SOLAR48Q is a compact fan-free outdoor wash light featuring an outstanding brightness of 22'760 lumens. Equipped with 48x10 W RGBW full-colour LEDs all delivering superior colour mixing. Featuring a slimline styling, multiple interchangeable optics through magnets, asymmetrical filters which combined, make the SOLAR48Q an incredibly flexible device for indoor and outdoor use. Whilst highly-powerful, the SOLAR48Q is also completely silent.

1.2 TECHNICAL SPECIFICATIONS

LIGHT SOURCE

- Source: 48x10W RGBW / FC LEDs
- Luminous flux: 22'760lm
- Lux: (25°) 14'900lx @3 m full
- Lux: (25°) 5'364lx @5 m full
- Source life expectancy: > 50.000 h

OPTICS

- Beam angle: 25° - With included filter 45°
- Additional optics: 10° / 15° / 45° / 40° filter / 10x60° filter / 30x60° filter
- Other: magnetic filter included to achieve 45° (60° filter), barn door not included

COLOUR SYSTEM

- Colour mixing: RGBW / FC
- CTC: CTC control through independent DMX channel
- Colour wheel: virtual colour wheel with presets
- Macros: several pre-build macros with adjustable speed

DYNAMIC EFFECTS

- FX generator: section effect with 4 horizontal individually select and control sections
- Static colour mode: selection of static colour
- Manual colour mode: manual adjustment of colour
- Auto mode: built-in programs with execution speed adjustment

BODY

- Hardware on-board: magnetic filter frame with 45° filter
- Tilt angle: 0 - 150° manual
- Body: sturdy die-cast aluminium body conceived for long-time durability
- Body colour: black

CONTROL

- Protocols: DMX512, RDM, W-DMX
- DMX channels: 5 / 7 / 10 / 17 / 22channel
- W-DMX: included, wireless solution receiver
- RDM: RDM ready for fixture remote monitor and settings
- Display: black OLED high resolution display
- Firmware upgrade: yes, via USB - DMX interface (UPBOX1) not included
- Master/Slave: for synchronized operation of more units linked in a chain

ELECTRONICS

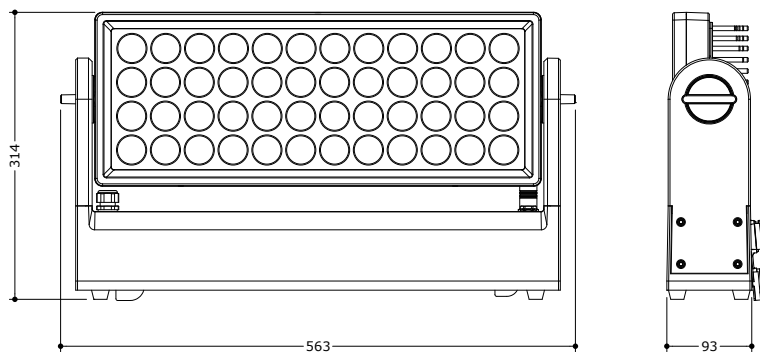
- Dimmer: linear 0 ~ 100% electronic dimmer
- Dimmer curves: 4 different dimming curves available
- Strobe / shutter: 1 - 30 Hz, electronic
- Battery backup: battery backup for user operation without connecting to the main power
- Operating temperature: $-20^{\circ} \sim +45^{\circ}$
- Flicker: flicker free frequency with adjustable PWM
- Selectable PWM: 600 ~ 25.000 Hz

ELECTRICAL

- Power consumption: 700
- Power supply: 100-240 V – 50/60 Hz
- Power consumption (at 230 V): 513W
- Power consumption (at 120 V): 541W
- Output (at 230 V): 4 units on a single power line
- Output (at 120 V): 2 units on a single power line
- Power factor: 0,95

PHYSICAL

- Cooling: natural cooling of the peculiar chassis and to absence of fans
- Sospension and fixing: hanging bracket for floor positioning with "Quick-Lock" system
- Signal connection: Seetronic XLR 5p IN/OUT connectors
- Data connection: W-DMX receiver
- Power connection: Seetronic powerCON waterproof IN/OUT connectors
- IP rating: 65 for temporary outdoor application, not for fixed installation
- Dimensions (WxHxD): 563x314x93mm
- Weight: 12,9kg

*Technical drawing**Fig.1*

1.3 OPERATING ELEMENTS AND CONNECTIONS

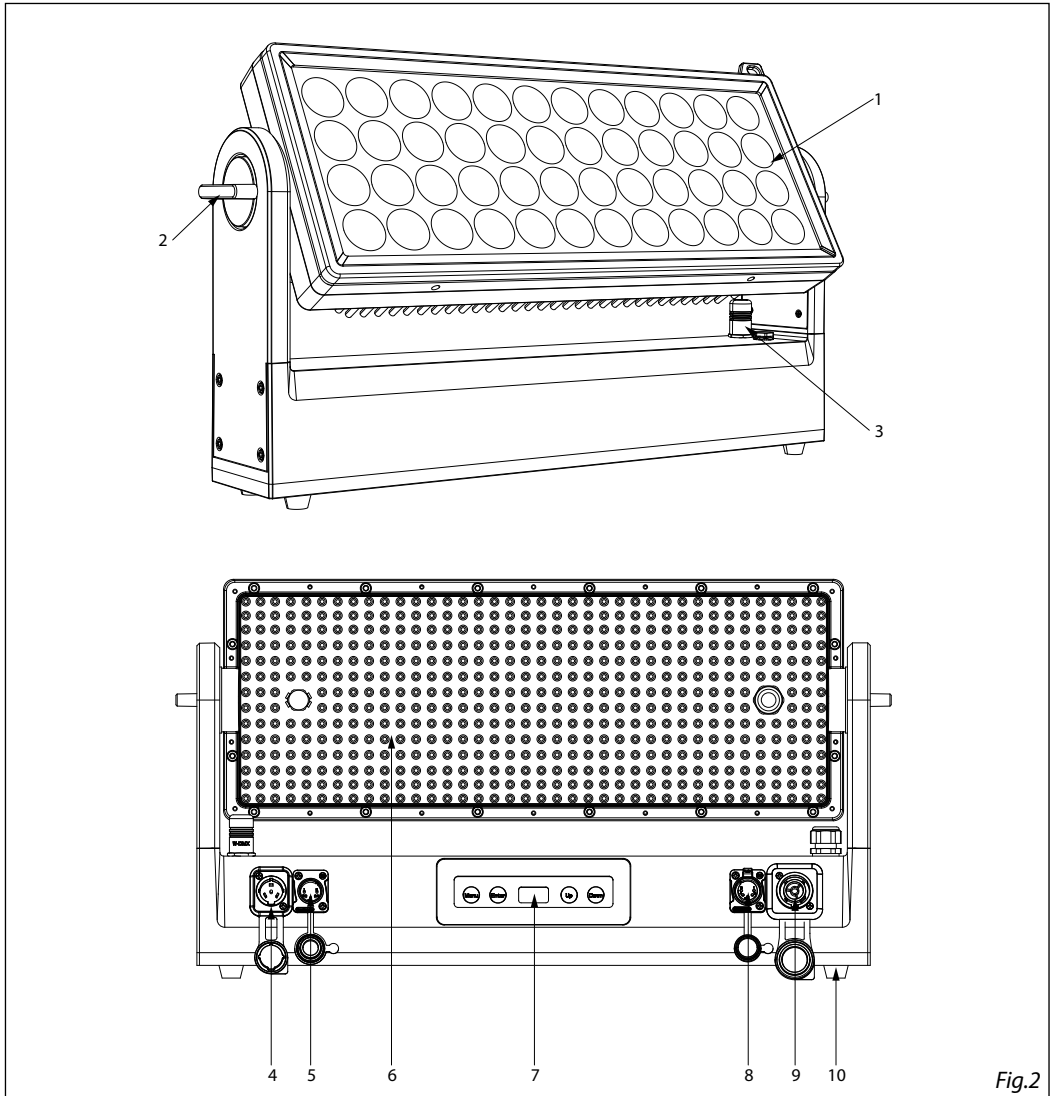


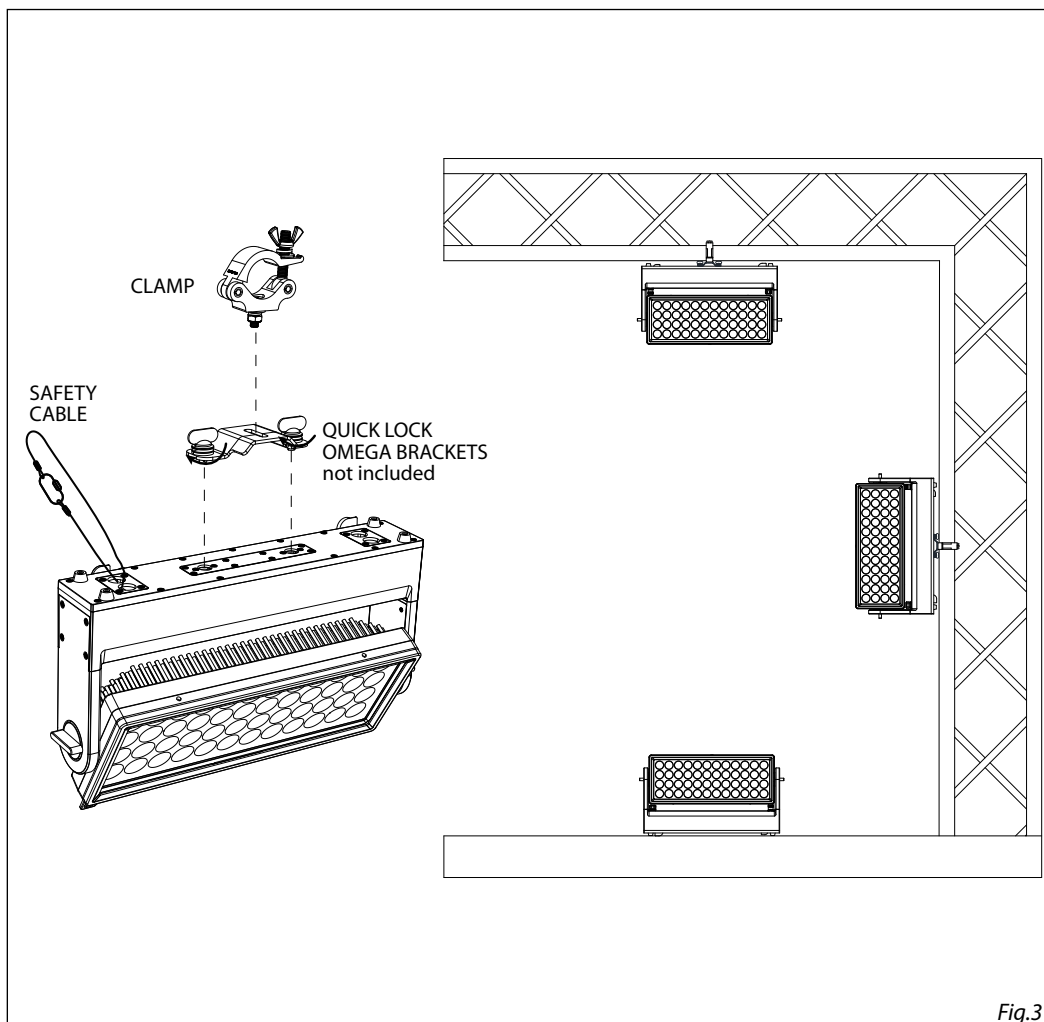
Fig.2

1. LED panel
2. MECHANICAL SYSTEM for individual positioning of Led panels
3. ANTENNA
4. POWER IN (PowerCON TRUE IN): for connection to a socket (100-240V~/50-60Hz) via the supplied mains cable.
5. DMX IN DMX IN (5-pole XLR): 1 = ground, 2 = DMX-, 3 = DMX+, 4 N/C, 5 N/C.
6. HEATSINK
7. CONTROL PANEL with OLED display and 4 button used to access the control panel functions and manage them.
8. DMX OUT DMX OUT (5-pole XLR): 1 = ground, 2 = DMX-, 3 = DMX+, 4 N/C, 5 N/C.
9. POWER OUT (PowerCON TRUE OUT): power output for connection of multiple units in series
10. HEATSINK

- 2 - INSTALLATION

2.1 MOUNTING

The SOLAR48Q may be set up on a solid and even surface. By means of the fixing facilities of the baseplate, the unit can also be mounted upside down to a cross arm. The base plate is shown in fig.3. For fixing, stable mounting clips are required. According to the figure, the bolts of the brackets are placed into the openings provided in the base plate and turned clockwise until they lock (to the stop). Always ensure that the unit is firmly fixed to avoid vibration and slipping while operating. The mounting place must be of sufficient stability and be able to support a weight of 10 times of the unit's weight. When carrying out any installation, always comply scrupulously with all the regulations (particularly regarding safety) currently in force in the country in which the fixture's being used. Always additionally secure the projector with the safety rope from falling down. For this purpose, fasten the safety rope at a suitable position so that the maximum fall of the projector will be 20 cm.



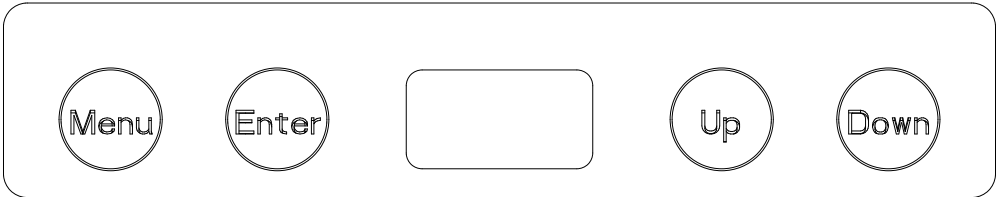
- 3 - FUNCTIONS AND SETTINGS

3.1 OPERATION

Connect the supplied main cable to a socket (100-240V~/50-60Hz). To switch off, disconnect the mains plug from the socket. For a more convenient operation it is recommended to connect the unit to a socket which can be switched on and off via light switch.

3.2 BASIC

The SOLAR48Q has a OLED display and 4 button used to access the control panel functions and manage them (fig.4).

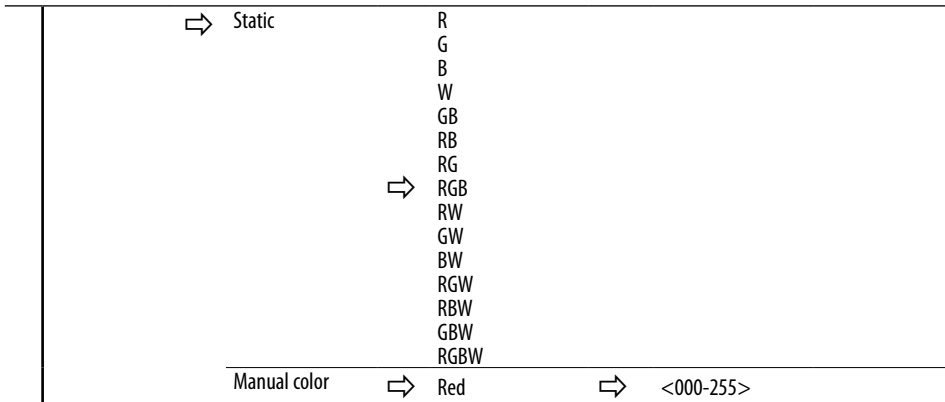


MENU	ENTER	▲ UP	▼ DOWN
To enter in the main menù or to return to the top level	Confirms the displayed value, or activates the displayed function, or enters the successive menu	Increases the value displayed or passes to the previous item in a menu	Decreases the value displayed or passes to the next item in the menu

Fig.4

3.3 MENU STRUCTURE

MENU							
1	CONNECT	⇒ DMX Address	⇒ Value (1-512)				
			⇒ DMX Mode	⇒ 5Ch 7Ch 10Ch 17Ch 22Ch			
		⇒ Wireless Setting	⇒ Receive Off/On	⇒ Off On			
			⇒ Receive Reset	⇒ No Yes			
			⇒ Wireless To DMX	⇒ No Yes			
2	SETUP	⇒ Screen	⇒ Back Light	⇒ On 10s 20s 30s			
			⇒ Flip Display	⇒ No Yes			
		⇒ Key Lock	⇒ No Yes				
		3	ADVANCED	⇒ Full On	⇒ HB Mode Studio Mode		
⇒ Dimmer Mode	⇒ Off Dimmer1 Dimmer2 Dimmer3						
⇒ White Balance	⇒ Off						
	⇒ Adjust			⇒ Red Green Blue White	⇒ <125-255>		
⇒ LED Frequency	⇒ 600Hz 1200Hz 2000Hz 4000Hz 6000Hz 25kHz						
	⇒ Factory Reload			⇒ No Yes			
	4			INFORMATION	⇒ Fixture Hours	⇒ 0-9999	
⇒ Version		⇒ V1.0					
⇒ UID		⇒ <15D00232 ****>					
5	STAND ALONE	⇒ Master/Slave	⇒ Master Slave				
		⇒ Effects	⇒ Effect 1 Effect 9	⇒ <1-100>			



3.4 DMX ADDRESSING

To set DMX addressing follow the instructions below:

- Press the MENU button to enter the menu mode.
- Use the buttons UP/DOWN to select **Connect**. Press the ENTER button to confirm.
- Press the UP/DOWN buttons to select **DMX Address**. Press the ENTER button to confirm.
- Press the UP/DOWN buttons to select the desired value **001-512**. Press the ENTER button to confirm.
- Press repeatedly the MENU button to return the menu mode.

To able to operate the SOLAR48Q with a light controller, adjust the DMX start address for the first a DMX channel. If e. g. address 33 on the controller is provided for controlling the function of the first DMX channel, adjust the start address 33 on the SOLAR48Q. The other functions of the light effect panel are then automatically assigned to the following addresses.

Several units may be interconnected; follow the instructions below:

1. Connect the DMX OUT of the master unit via 5-pole XLR cable to the DMX IN of the first slave unit.
2. Connect the DMX OUT of the first slave unit to the DMX IN of the second slave unit, etc. until all units are connected in a chain.

Use standard DMX cables to daisy chain your units together via the DMX connector on the rear of the units. For longer cable runs we suggest a terminator at the last fixture (see page 16).

Number of DMX channels	Start address (example)	DMX Address occupied	Next possible start address for unit No. 1	Next possible start address for unit No. 2	Next possible start address for unit No. 3
5	33	33-37	38	43	48
7	33	33-39	40	47	54
10	33	33-42	43	53	63
17	33	33-49	50	67	84
22	33	33-54	55	77	99

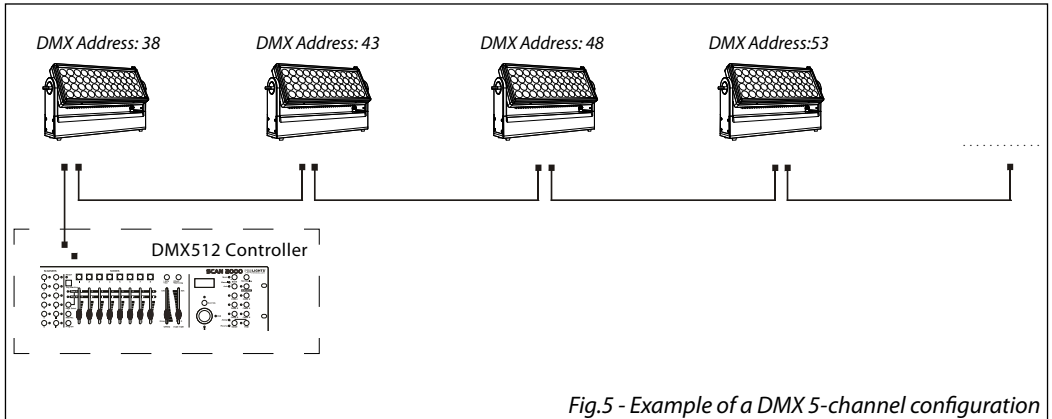


Fig.5 - Example of a DMX 5-channel configuration

3.5 DMX CONFIGURATION

The SOLAR48Q has 5 DMX channels configurations selectable through the control panel.

- Press the MENU button to enter the menu mode.
- Use the UP/DOWN buttons to select the **Connect**. Press the button ENTER to confirm.
- Press the UP/DOWN buttons to select the **DMX mode**. Then press the button ENTER to confirm.
- Press the buttons UP/DOWN to select the desired configuration **5CH, 7CH, 10CH, 17CH, 22CH**; then press the button ENTER to save.
- Press repeatedly the button MENU to return the menu mode.

The tables on page 14, 15 and 16 indicate the operating mode and DMX value. The SOLAR48Q is equipped with 5-pole XLR connections.

3.6 WIRELESS SETTINGS

- To enter the Wireless mode press the MENU button until the display shows **Connect**, then select **Wireless** using the ENTER button.
- Select the **Wireless Receive** function using the UP/DOWN buttons, then press the ENTER button.
- To activate the **Wireless Receive** function, use the UP/DOWN buttons and select the **On** option.
- Press the ENTER button to confirm the selection.
- Press the MENU button to go back or wait a few seconds to exit the setup menu.

NOTE - Once you have performed these steps, you must synchronize with any WiFi unit with which you want to communicate by pressing the sync button on it. At this point connect the DMX console to the WiFi unit to open the communication with the SOLAR48Q.

- To reset the unit, select the **Receive Reset** function using the UP/DOWN buttons, press the ENTER button until the display shows **Connect**, then select **Receive Reset** using the UP/DOWN buttons, then press the ENTER button.
- To activate the mode use the UP / DOWN keys and select the **Yes** option.
- Press the ENTER button to confirm the selection.
- Press the MENU button to go back or wait a few seconds to exit the setup menu.
- To activate the **Wireless to DMX** function, use the UP / DOWN buttons to press the ENTER button until the display shows **Connect**, then select **Wireless to DMX**, then press the ENTER button.
- To activate the mode use the UP/DOWN buttons and select the **Yes** option.
- Press the MENU button to go back or wait a few seconds to exit the setup menu.

3.7 SCREEN

It is possible to modify the following parameters, related to the display, following the same procedure:

- Press the MENU button to access the main menu.
- Press the UP/DOWN button to scroll through the menu, select **Set Up**, then press the ENTER button access the next menu.
- Press the UP/DOWN button to select **Screen** and press the ENTER button to proceed.
- Select the proposed option with the UP/DOWN button and press the ENTER button to confirm.
 - **Backlight** - Auto Off display backlight. This function allows you to switch off automatically the backlighting of the display after a certain time which can be set using the directional keys. To have the display always on select On or set a value between those shown (**10s, 20s, 30s**) to turn off the display once the chosen time has elapsed, after exiting the menu.
 - **Flip Display** - Display orientation. This feature allows you to rotate the display by 180 ° to get a better view of the display when the unit is hanging upside down. Select **Yes** to activate the function, **No** to deactivate it.
 - **Key lock** - With this function, you can lock the keys on the control panel to prevent, for example, tampering with the settings. If this function is activated, the keys are locked automatically. To disable or temporarily disable or disable the key lock function, press the keys in the following order to regain access to the menu commands: UP, DOWN, UP, DOWN, ENTER. Select **Yes** to activate the function or **No** to deactivate it.
- Press the MENU key repeatedly to exit the menu and to save the changes made.

3.8 FIXTURE SETTINGS

You can change the parameters for the device by following these steps:

- Press the MENU button to enter the menu mode.
- Use the UP/DOWN buttons to select the **Advanced**. Press the button ENTER to confirm.
- Press the UP/DOWN buttons to select the desired option and press the ENTER button to confirm:
 - **Full On Mode** - Select the **Full on Mode** function to set the **HB** mode (High Brightness Mode, with the maximum value of the colors) or **Studio** mode with a automatic white calibration.
 - **Dimmer Mode** - Adjusting the dimmer. Enter in **Dimmer Mode** to select specific dimming curve. Particularly when set:
 - **Off**: The increase in light intensity is linear.
 - **Dimmer 1**: dimmer curve with low fade.
 - **Dimmer 2**: dimmer curve with medium fade.
 - **Dimmer 3**: dimmer curve with high fade.
 - **White Balance** - White Balance function. Select the **White Balance** function to set the white balance by changing the values (**125-255**) of the colors **Red, Green, Blue and White**.
 - **LED Frequency** - To adjust the frequency of the LEDs. Select the frequency **600 Hz - 25 KHz** using the UP/DOWN and press on ENTER to confirm the selection.
 - **Factory Reload** - To reset the unit. Select **Yes** or **No** and select ENTER to confirm.
- Press repeatedly the MENU button to return the menu mode.

3.9 INFORMATION

To view all the information on the device, proceed as follows:

- Press the MENU button to access the main menu. Press the UP/DOWN button to select **Information**, then press the ENTER button to access the next menu.
- Press the UP/DOWN button to scroll through the menu, then select one of the following information- and press the ENTER button to display it.
 - **Fixture Time** - To view the operating time of the projector.
 - **Software Version** - To view the firmware version will show on the display.
 - **UID** - To view the identification ID for the RDM control.

- Press repeatedly the MENU button to return the menu mode.

3.10 MASTER/SLAVE MODE

This mode will allow you to link up the units together without a controller. Choose a unit to function as the Master. The unit must be the first unit in line; other units will work as slave.

- Press the MENU button so many times until the display shows **Stand Alone**, then press ENTER.
- Select **Master/Slave**, then press the ENTER button.
- Using UP/DOWN, select the desired mode and then press the ENTER button.
- Press the MENU button to go back or to meet the waiting time to exit the setup menu.
- Use standard DMX cables to daisy chain your units together via the DMX connector on the rear of the units. For longer cable runs we suggest a terminator at the last fixture (see page 13).
- Set the slaves to the same DMX modes.

NOTE: the unit, set in Static or Effect mode, always appears to be Master.

3.11 EFFECTS MODE

This fixture has a built-in automatic program. To access this, please see the below instructions:

- To enter the **Effects** mode, press the MENU button to access the menu.
- Through the UP/DOWN button select **Stand Alone**, then select **Effect**. Press ENTER to confirm
- Use UP/DOWN to select the desired program **Effect 1, ..., Effect 9**, then press ENTER to confirm.
- Set the value (**1 - 100**), through UP/DOWN, then press ENTER to confirm.

NOTE: after selecting the described mode, the unit will be Master.

3.12 STATIC MODE

This fixture has the ability to accept custom static color settings. Access these chases via the control panel on the back of the fixture.

- Press the MENU button to access the main menu. Press the UP/DOWN button to select **Stand Alone**, then press the ENTER button to access the next menu.
- Select **Static**, then press the ENTER button.
- Select **Fixed Color** through the UP/DOWN buttons, then press ENTER.
- Set the colors **R, G, B, W, GB, RB, RG, RGB, RW, GW, BW, RGW, RBW, GBW, RGBW** through the UP/DOWN buttons, then press ENTER.
- Press the MENU button to go back or to meet the waiting time to exit the setup menu.

NOTE: after selecting the described mode, the unit will be Master.

3.13 MANUAL MODE

This mode allows to combine the colors red, green, blue and white (**R, G, B, W**).

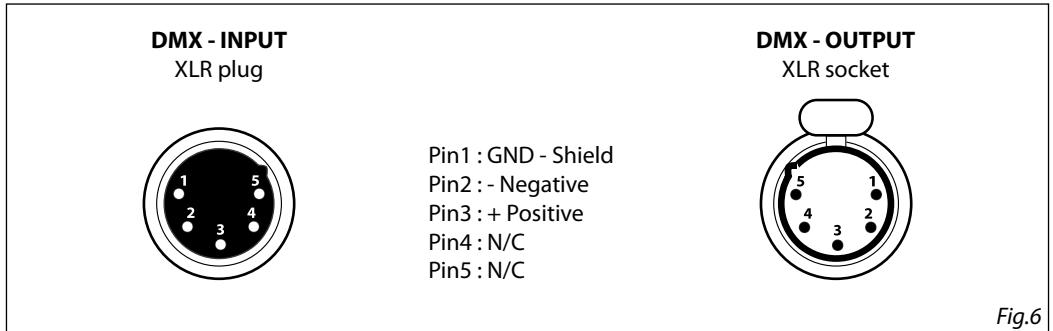
- Press the MENU button to access the main menu. Press the UP/DOWN button to select **Stand Alone**, then press the ENTER button to access the next menu.
- Select **Static**, then press the ENTER button.
- Select **Manual Color** through the UP/DOWN buttons, then press ENTER.
- Select the color **R, G, B, W** through the UP/DOWN buttons, then press ENTER.
- Using UP/DOWN buttons, select the desired color value **000 - 255**.
- Press ENTER button to continue to the next color **R, G, B, W**.
- Continue until the desired mix is obtained.
- Press the MENU button to go back or to meet the waiting time to exit the setup menu.

NOTE: after selecting the described mode, the unit will be Master.

3.14 CONNECTION OF THE DMX LINE

DMX connection employs standard XLR connectors. Use shielded pair-twisted cables with 120Ω impedance and low capacity.

The following diagram shows the connection mode:



ATTENTION

The screened parts of the cable (sleeve) must never be connected to the system's earth, as this would cause faulty fixture and controller operation.

Over long runs can be necessary to insert a DMX level matching amplifier.

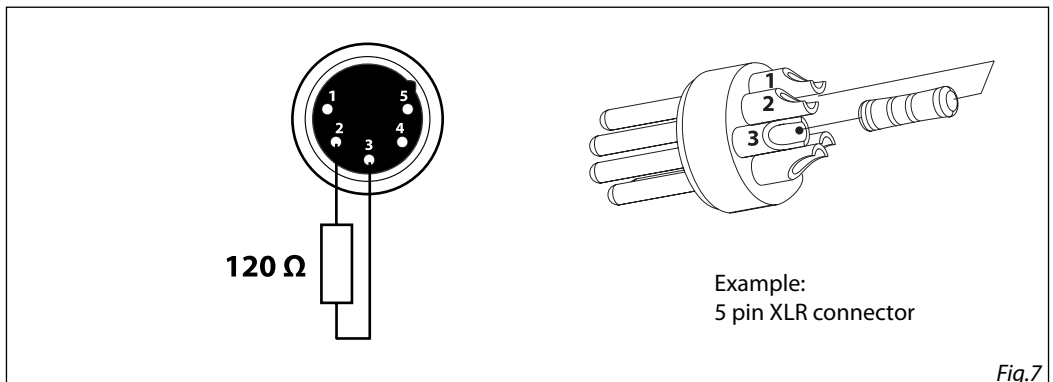
For those connections the use of balanced microphone cable is not recommended because it cannot transmit control DMX data reliably.

- Connect the controller DMX input to the DMX output of the first unit.
- Connect the DMX output to the DMX input of the following unit. Connect again the output to the input of the following unit until all the units are connected in chain.
- When the signal cable has to run longer distance is recommended to insert a DMX termination on the last unit.

3.15 CONSTRUCTION OF THE DMX TERMINATION

The termination avoids the risk of DMX 512 signals being reflected back along the cable when they reach the end of the line: under certain conditions and with certain cable lengths, this could cause them to cancel the original signals.

The termination is prepared by soldering a 120Ω 1/4 W resistor between pins 2 and 3 of the 5-pin male XLR connector, as shown in figure.



3.16 DMX CONTROL

5 CHANNELS

MODE 5 Ch	FUNCTION	DMX Value
1	RED 0~100%	000 - 255
2	GREEN 0~100%	000 - 255
3	BLUE 0~100%	000 - 255
4	WHITE 0~100%	000 - 255
5	DIMMER SPEED MODE Preset dimmer speed from display menu Dimmer speed mode off Dimmer speed mode1 (fast speed) Dimmer speed mode2 (middle speed) Dimmer speed mode3 (slow speed)	000-051 052-101 102-152 153-203 204-255

7 CHANNELS

MODE 7 Ch	FUNCTION	DMX Value
1	DIMMER 0~100%	000 - 255
2	RED 0~100%	000 - 255
3	GREEN 0~100%	000 - 255
4	BLUE 0~100%	000 - 255
5	WHITE 0~100%	000 - 255
6	STROBE No function Strobe Slow to Fast	000 - 010 011 - 255
7	DIMMER SPEED MODE Preset dimmer speed from display menu Dimmer speed mode off Dimmer speed mode1 (fast speed) Dimmer speed mode2 (middle speed) Dimmer speed mode3 (slow speed)	000-051 052-101 102-152 153-203 204-255

10 CHANNELS

MODE 10 Ch	FUNCTION	DMX Value
1	DIMMER 0~100%	000 - 255
2	RED 0~100%	000 - 255
3	GREEN 0~100%	000 - 255
4	BLUE 0~100%	000 - 255
5	WHITE 0~100%	000 - 255
6	STROBE No function Strobe Slow to Fast	000 - 010 011 - 255
7	COLOR MACRO No Function R 100%, G 0~100%, B 0 % R 100%~0 %, G 100%, B 0 % R 0 %, G 100%, B 0~100% R 0 %, G 100~0 %, B 100% R 0~100%, G 0 %, B 100% R 100%, G 0 %, B 100~0 % R 100%, G 0~100%, B 0~100% R 100~0 %, G 100~0 %, B 100% R 100%, G 100%, B 100%, W 100%	000 - 010 011 - 030 031 - 050 051 - 070 071 - 090 091 - 110 111 - 130 131 - 150 151 - 170 171 - 200
	2800k 3000k 3200k 4000k 5600k 6000k 6500k 7000k 8000k 9000k 10000k	201 - 205 206 - 210 211 - 215 216 - 220 221 - 225 226 - 230 231 - 235 236 - 240 241 - 245 246 - 250 251 - 255

10 CHANNELS

MODE 10 Ch	FUNCTION	DMX Value
8	EFFECTS	
	NO Function	000-010
	Effect 1	011-037
	Effect 2	038-064
	Effect 3	065-091
	Effect4	092-118
	Effect5 (Effects1- 4)	119-145
	Effect 6	146-172
	Effect 7	173-199
Effect 8	200-226	
Effect 9 (Effects6- 8)	227-255	
9	EFFECTS SPEED	
	Effects speed slow to fast	000 - 255
10	DIMMER SPEED MODE	
	Preset dimmer speed from display menu	000 - 051
	Dimmer speed mode off	052 - 101
	Dimmer speed mode 1 (fast speed)	102 - 152
	Dimmer speed mode 2 (middle speed)	153 - 203
Dimmer speed mode 3 (slow speed)	204 - 255	

17 CHANNELS

MODE 17 Ch	FUNCTION	DMX Value
1	RED 1	
	0~100%	000 - 255
2	GREEN 1	
	0~100%	000 - 255
3	BLUE 1	
	0~100%	000 - 255
4	WHITE 1	
	0~100%	000 - 255
5	RED 2	
	0~100%	000 - 255
6	GREEN 2	
	0~100%	000 - 255
7	BLUE 2	
	0~100%	000 - 255
8	WHITE 2	
	0~100%	000 - 255
9	RED 3	
	0~100%	000 - 255
10	GREEN 3	
	0~100%	000 - 255
11	BLUE 3	
	0~100%	000 - 255
12	WHITE 3	
	0~100%	000 - 255
13	RED 4	
	0~100%	000 - 255
14	GREEN 4	
	0~100%	000 - 255
15	BLUE 4	
	0~100%	000 - 255
16	WHITE 4	
	0~100%	000 - 255
17	DIMMER SPEED MODE	
	Preset dimmer speed from display menu	000-051
	Dimmer speed mode off	052-101
	Dimmer speed mode1 (fast speed)	102-152
	Dimmer speed mode2 (middle speed)	153-203
Dimmer speed mode3 (slow speed)	204-255	

22 CHANNELS

MODE 22 Ch	FUNCTION	DMX Value
1	DIMMER 0~100%	000 - 255
2	STROBE 1 No function Strobe Slow to Fast	000 - 010 011 - 255
3	STROBE 2 No function Strobe Slow to Fast	000 - 010 011 - 255
4	STROBE 3 No function Strobe Slow to Fast	000 - 010 011 - 255
5	STROBE 4 No function Strobe Slow to Fast	000 - 010 011 - 255
6	RED 1 0~100%	000 - 255
7	GREEN 1 0~100%	000 - 255
8	BLUE 1 0~100%	000 - 255
9	WHITE 1 0~100%	000 - 255
10	RED 2 0~100%	000 - 255
11	GREEN 2 0~100%	000 - 255
12	BLUE 2 0~100%	000 - 255
13	WHITE 2 0~100%	000 - 255
14	RED 3 0~100%	000 - 255
15	GREEN 3 0~100%	000 - 255
16	BLUE 3 0~100%	000 - 255
17	WHITE 3 0~100%	000 - 255

22 CHANNELS

MODE 22 Ch	FUNCTION	DMX Value
18	RED 4 0~100%	000 - 255
19	GREEN 4 0~100%	000 - 255
20	BLUE 4 0~100%	000 - 255
21	WHITE 4 0~100%	000 - 255
22	DIMMER SPEED MODE Preset dimmer speed from display menu Dimmer speed mode off Dimmer speed mode1 (fast speed) Dimmer speed mode2 (middle speed) Dimmer speed mode3 (slow speed)	000-051 052-101 102-152 153-203 204-255

- 4 - MAINTENANCE

4.1 MAINTENANCE AND CLEANING THE UNIT

- Make sure the area below the installation place is free from unwanted persons during setup.
- Switch off the unit, unplug the main cable and wait until the unit has cooled down.
- All screws used for installing the device and any of its parts should be tightly fastened and should not be corroded.
- Housings, fixations and installation spots (ceiling, trusses, suspensions) should be totally free from any deformation.
- When the lens is visibly damaged due to cracks or deep scratches, it must be replaced.
- The main cables must be in impeccable condition and should be replaced immediately even when a small problem is detected.
- In order to protect the device from overheating the cooling fans (if any), and ventilation openings should be cleaned monthly.

To ensure optimal operation and performance for a long time it is essential to periodically clean the parts subject to dust and grease deposits. The frequency with which the following operations are to be carried out depends on various factors, such as the amount of the effects and the quality of the working environment (air humidity, presence of dust, salinity, etc.). Use a soft cloth dampened with any detergent liquid for cleaning glass to remove the dirt from the reflectors, from the lenses and filters.

It is recommended that the projector undergoes an annual service by a qualified technician for special maintenance involving at least the following operations:

- General cleaning of internal parts..
- Restoring lubrication of all parts subject to friction, using lubricants specifically.
- General visual check of the internal components, cabling, mechanical parts, etc.
- Electrical, photometric and functional checks; eventual repairs.

Warning: we strongly recommend internal cleaning to be carried out by qualified personnel!

4.2 TROUBLESHOOTING

Problems	Possible causes	Checks and remedies
Fixture does not light up	<ul style="list-style-type: none"> • No mains supply • Dimmer fader set to 0 • All color faders set to 0 • Faulty LED • Faulty LED board 	<ul style="list-style-type: none"> • Check the power supply voltage • Increase the value of the dimmer channels • Increase the value of the color channels • Replace the LED board • Replace the LED board
General low light intensity	<ul style="list-style-type: none"> • Dirty lens assembly • Misaligned lens assembly 	<ul style="list-style-type: none"> • Clean the fixture regularly • Install lens assembly properly
Fixture does not power up	<ul style="list-style-type: none"> • No power • Loose or damaged power cord • Faulty internal power supply 	<ul style="list-style-type: none"> • Check for power on power outlet • Check power cord • Replace internal power supply
Fixture does not respond to DMX	<ul style="list-style-type: none"> • Wrong DMX addressing • Damaged DMX cables • Bouncing signals 	<ul style="list-style-type: none"> • Check control panel and unit addressing • Check DMX cables • Install terminator as suggested

Contact an authorized service center in case of technical problems or not reported in the table can not be resolved by the procedure given in the table.

Music & Lights S.r.l. si riserva ogni diritto di elaborazione in qualsiasi forma delle presenti istruzioni per l'uso.
La riproduzione - anche parziale - per propri scopi commerciali è vietata.

Al fine di migliorare la qualità dei prodotti, la Music&Lights S.r.l. si riserva la facoltà di modificare, in qualunque momento e senza preavviso, le specifiche menzionate nel presente manuale di istruzioni.

Tutte le revisioni e gli aggiornamenti sono disponibili nella sezione 'Manuali' sul sito www.musiclights.it

INDICE	Sicurezza	
	Avvertenze generali	4
	Attenzioni e precauzioni per l'installazione	4
	1 Introduzione	
	1.1 Descrizione	5
	1.2 Specifiche tecniche	5
	1.3 Elementi di comando e di collegamento	7
	2 Installazione	
	2.1 Montaggio	8
	3 Funzioni e impostazioni	
	3.1 Funzionamento	9
	3.2 Impostazione base	9
	3.3 Struttura manu	10
	3.4 Modalità DMX	11
	3.5 Indirizzamento DMX	11
	3.6 Wireless settings	12
	3.7 Screen	12
	3.8 Advanced	13
	3.9 Informazioni sul dispositivo	13
	3.10 Master/Slave	14
	3.11 Fixture color	14
	3.12 Manual color mode	14
	3.13 Collegamenti della linea DMX	15
	3.14 Costruzione del terminatore DMX	15
	3.15 Canali DMX	16
	4 Manutenzione	
	4.1 Manutenzione e pulizia del sistema ottico	19
	4.2 Risoluzione dei problemi	19

Contenuto dell'imballo:	<ul style="list-style-type: none">• SOLAR48Q• S48QFILTER60• Cavo di alimentazione• Manuale utente
--------------------------------	--




ATTENZIONE! Prima di effettuare qualsiasi operazione con l'unità, leggere con attenzione questo manuale e conservarlo accuratamente per riferimenti futuri. Contiene informazioni importanti riguardo l'installazione, l'uso e la manutenzione dell'unità.



SICUREZZA

Avvertenze generali

- I prodotti a cui questo manuale si riferisce sono conformi alle Direttive della Comunità Europea e pertanto recano la sigla **CE**.
- Il dispositivo funziona con pericolosa tensione di rete 230V~. Non intervenire mai al suo interno al di fuori delle operazioni descritte nel presente manuale; esiste il pericolo di una scarica elettrica.
- È obbligatorio effettuare il collegamento ad un impianto di alimentazione dotato di un'efficiente messa a terra (apparecchio di Classe I secondo norma EN 60598-1). Si raccomanda, inoltre, di proteggere le linee di alimentazione delle unità dai contatti indiretti e/o cortocircuiti verso massa tramite l'uso di interruttori differenziali opportunamente dimensionati.
- Le operazioni di collegamento alla rete di distribuzione dell'energia elettrica devono essere effettuate da un installatore elettrico qualificato. Verificare che frequenza e tensione della rete corrispondono alla frequenza ed alla tensione per cui l'unità è predisposta, indicate sulla targhetta dei dati elettrici.
- L'unità non per uso domestico, solo per uso professionale.
- Evitare di utilizzare l'unità:
 - in luoghi soggetti a vibrazioni, o a possibili urti;
 - in luoghi a temperatura superiore ai 50°C.
- Evitare che nell'unità penetrino liquidi infiammabili, acqua o oggetti metallici.
- Non smontare e non apportare modifiche all'unità.
- Tutti gli interventi devono essere sempre e solo effettuati da personale tecnico qualificato. Rivolgersi al più vicino centro di assistenza tecnica autorizzato.
- Se si desidera eliminare il dispositivo definitivamente, consegnarlo  per lo smaltimento ad un'istituzione locale per il riciclaggio.

Attenzioni e precauzioni per l'installazione

- Se il dispositivo dovesse trovarsi ad operare in condizioni differenti da quelle descritte nel presente manuale, potrebbero verificarsi dei danni; in tal caso la garanzia verrebbe a decadere. Inoltre, ogni altra operazione potrebbe provocare cortocircuiti, incendi, scosse elettriche, rotture etc.
- Prima di iniziare qualsiasi operazione di manutenzione o pulizia sull'unità togliere la tensione dalla rete di alimentazione.
- Nell'eseguire qualsiasi intervento attenersi scrupolosamente a tutte le normative (in materia di sicurezza) vigenti nel paese di utilizzo.
- La distanza minima tra il proiettore e le pareti circostanti deve essere superiore a 50 cm e non devono essere ostruite, in nessun caso, le aperture di aerazione.
- Mantenere i materiali infiammabili ad una distanza di sicurezza dall'unità.
- La temperatura massima raggiungibile sulla superficie esterna dell'unità, in condizioni di regime termico, è elevata. Dopo lo spegnimento, attendere 15 minuti per il raffreddamento.
- I filtri, le lenti o gli schermi ultravioletti se danneggiati possono limitare la loro efficienza.
- I LED devono essere sostituiti se danneggiati o termicamente deformati.
- Non guardare direttamente il fascio luminoso. Tenete presente che i veloci cambi di luce possono provocare attacchi d'epilessia presso persone fotosensibili o epilettiche.
- Questo prodotto è stato progettato e costruito per l'utilizzo indicato in questa documentazione. Qualsiasi altro utilizzo non espressamente indicato potrebbe pregiudicare la funzionalità del prodotto e/o rappresentare fonte di pericolo.
- Si declina ogni responsabilità derivata dall'uso improprio del prodotto.

- 1 - INTRODUZIONE

1.1 DESCRIZIONE

SOLAR48Q è un proiettore wash da esterno compatto e privo di ventole, offre una straordinaria luminosità di 22'760 lumen. È composto da 48 led RGBW Full Color da 10W garantendo un'ottima miscelazione colore. Il suo design compatto e la possibilità di cambiare le ottiche velocemente attraverso supporti magnetici rende il SOLAR48Q un prodotto incredibilmente flessibile sia per eventi indoor che outdoor essendo silenzioso, potente ed estremamente compatto.

1.2 SPECIFICHE TECNICHE

SORGENTE LUMINOSA

- Sorgente: 48x10W RGBW/FC LEDs
- Flusso luminoso: 22760lm
- Lux: (25°) 14900lux @3m full
- Lux: (25°) 5364lux @5m full
- Durata media sorgente: >50.000 h

OTTICA

- Angolo di proiezione: 25° - With included filter 45°
- Ottiche aggiuntive: 10° / 15° / 45° / 40° filter / 10X60° filter / 30X60° filter
- Altro: Magnetic filter included to achieve 45° (60° filter), barn door not included

SISTEMA COLORE

- Miscelazione del colore: RGBW/FC
- CTC: controllo CTC tramite canale DMX indipendente
- Ruota colori: ruota colori virtuale con preset
- Macros: macro con controllo di velocità e intensità incorporate

EFFETTI DINAMICI

- Generatore effetti: section effect with 4 horizontal individually select and control sections
- Modalità colore statico: riproduzione statica di un colore
- Modalità colore manuale: regolazione manuale di un colore
- Auto mode: programmi integrati con regolazione della velocità di esecuzione

CORPO

- Hardware a bordo: Magnetic filter frame with 45° filter
- Tilt angle: 0-150° manuale
- Corpo: corpo in alluminio pressofuso ad alta resistenza
- Colore: nero

CONTROLLO

- Protocolli: DMX512, RDM, W-DMX
- Canali DMX: 5 / 7 / 10 / 17 / 22channel
- W-DMX: integrato, ricevitore ad antenna (2.4 GHz) by Wireless Solution Sweden
- RDM: RDM ready per controllo e impostazioni remote della fixture
- Display: display black OLED ad alta risoluzione
- Aggiornamento firmware: sì, con interfaccia USB-DMX (UPBOX1) non inclusa
- Master/Slave: per il controllo di più unità collegate in catena

ELETTRONICA

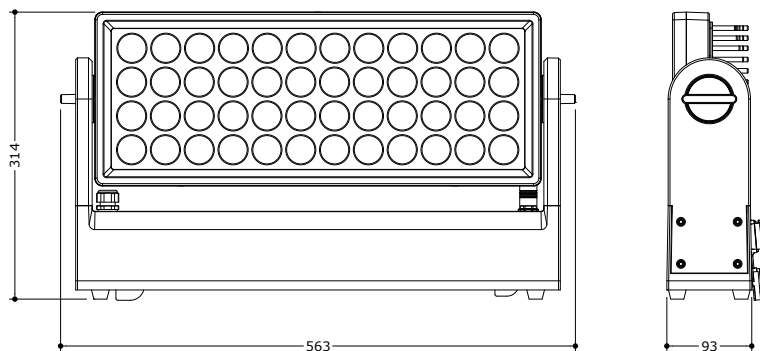
- Dimmer: 0~100% lineare, elettronico
- Curve dimmer: 4 curve dimmer regolabili
- Strobo / shutter: 1 - 30 Hz, elettronico
- Batteria di backup: batteria tampone per l'accesso al menu anche senza alimentazione
- Temperatura d'esercizio: -20° ~ +45°
- Flicker: frequenza senza flicker con PWM regolabile
- PWM selezionabile: 600~25K Hz

ALIMENTAZIONE

- Potenza assorbita: 700
- Alimentazione elettrica: 100-240V – 50/60Hz
- Potenza assorbita (a 230V): 513W
- Potenza assorbita (a 120V): 541W
- Output (a 230V): 4 unità connesse in serie
- Output (a 120V): 2 unità connesse in serie
- Fattore di potenza: 0.95

CARATTERISTICHE FISICHE

- Raffreddamento: proiettore privo di ventole e struttura disegnata per una dissipazione a convezione naturale
- Sospensione e fissaggio: staffa per posizionamento a terra con sistema "Quick-Lock"
- Connessione di segnale:
- Connessione dati: W-DMX receiver
- Connessione di alimentazione: Seetronic powerKon waterproof IN/OUT connectors
- Grado IP: 65 per installazioni esterne temporanee, non fisse
- Dimensioni (LxAxP): 563x314x93 mm
- Peso: 12.9kg

*Disegno tecnico**Fig.1*

1.3 ELEMENTI DI COMANDO E DI COLLEGAMENTO

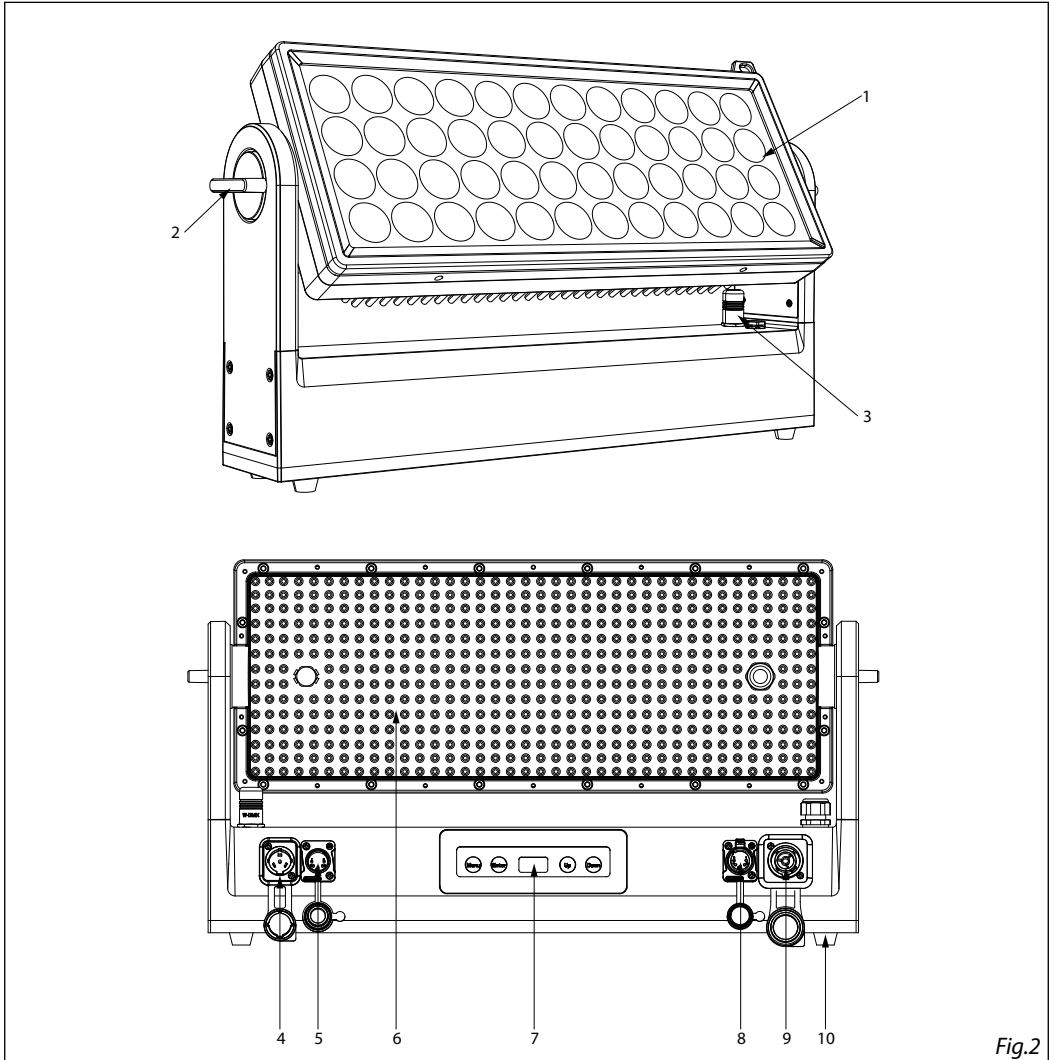


Fig.2

- | | |
|--|--|
| <ol style="list-style-type: none"> 1. Pannello LED 2. SISTEMA MECCANICO PER LA REGOLAZIONE individuale e simultanea dei blocchi LEDs. 3. ANTENNA 4. POWER IN (PowerCON TRUE IN): per il collegamento ad una presa di rete (100-240V~/50-60Hz) tramite il cavo rete in dotazione. 5. DMX IN (XLR a 5 poli): 6. 1 = massa, 2 = DMX -, 3 = DMX +, 4 N/C, 5 N/C. | <ol style="list-style-type: none"> 7. DISSIPATORE 8. PANNELLO DI CONTROLLO con display OLED e 4 pulsanti per accesso e gestione delle diverse funzioni. 9. POWER OUT (PowerCON TRUE OUT): output alimentazione per connessione di più unità in serie. 10. DMX OUT (XLR a 5 poli): 1 = massa, 2 = DMX -, 3 = DMX +, 4 N/C, 5 N/C. 11. PIEDINI IN GOMMA |
|--|--|

- 2 - INSTALLAZIONE

2.1 MONTAGGIO

Il SOLAR48Q può essere collocato su un piano solido. Inoltre, grazie ai fori di fissaggio, l'unità può essere montata anche a testa in giù, su una traversa (fig.3). Per il fissaggio occorrono dei supporti robusti per il montaggio. Come si vede nell'illustrazione, i perni del sistema di aggancio rapido, dei supporti omega, sono da inserire nelle apposite sedi della piastra dove vengono bloccati con una rotazione in senso orario (fino all'arresto). Assicurarsi che l'unità sia saldamente fissata al fine di evitare vibrazioni e scivolamenti durante il funzionamento. L'area di collocazione deve avere una stabilità sufficiente e supportare almeno 10 volte il peso dell'unità. Inoltre assicurarsi di rispettare tutte le avvertenze in materia di sicurezza. È assolutamente necessario assicurare il proiettore contro la caduta utilizzando un cavo di sicurezza: in particolare collegare il cavo in un punto adatto in modo che la caduta del proiettore non possa superare i 20 cm.

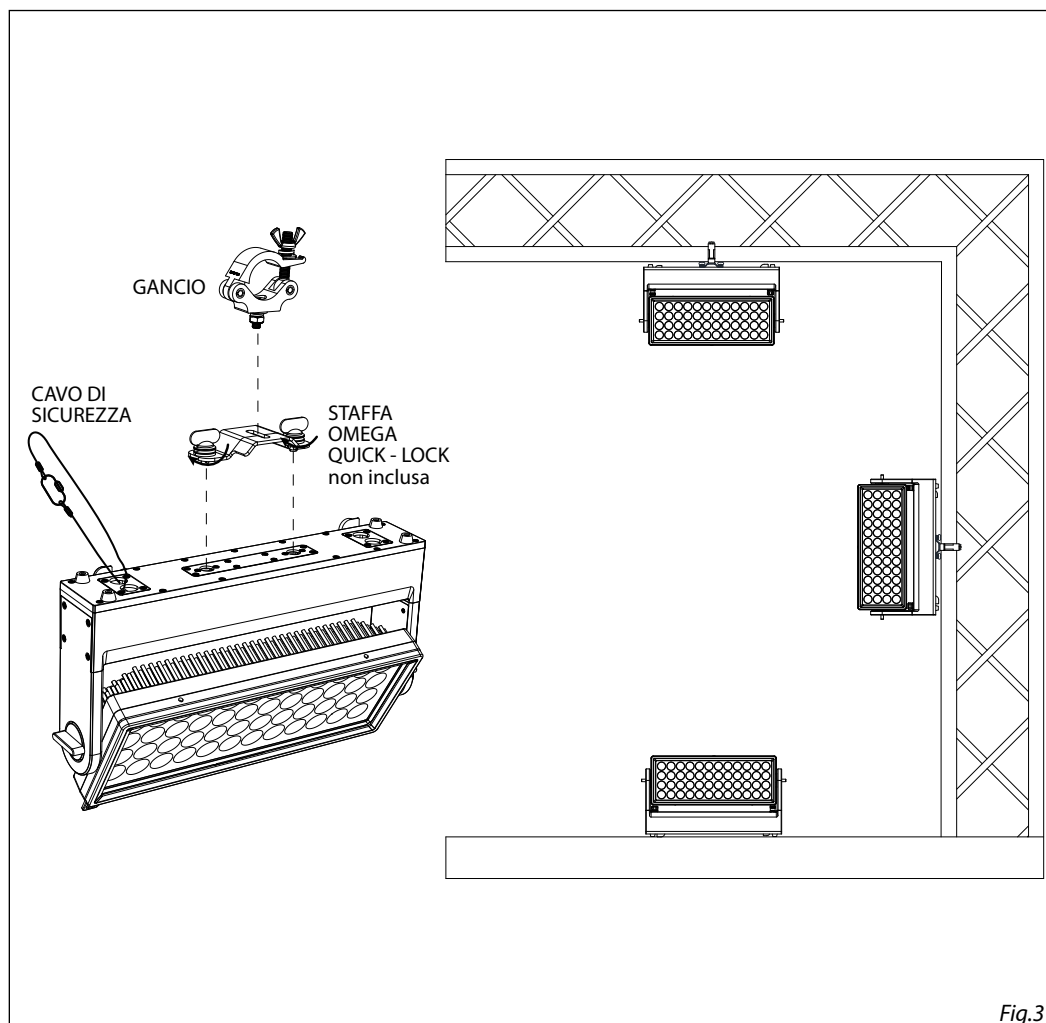


Fig.3

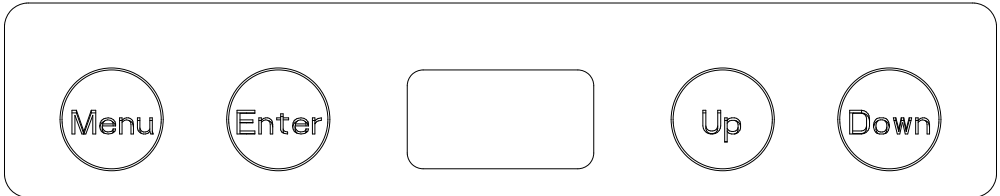
- 3 - FUNZIONI E IMPOSTAZIONI

3.1 FUNZIONAMENTO

Per accendere il SOLAR48Q inserire la spina del cavo di alimentazione in una presa di rete (100-240V~/50-60Hz). Per spegnere il SOLAR48Q, staccare la spina dalla presa di rete. Per maggiore comodità è consigliabile collegare l'unità con una presa comandata da un interruttore.

3.2 IMPOSTAZIONE BASE

Il SOLAR48Q dispone di un black OLED display e 4 pulsanti touch per accesso alle funzioni del pannello di controllo (fig.4).

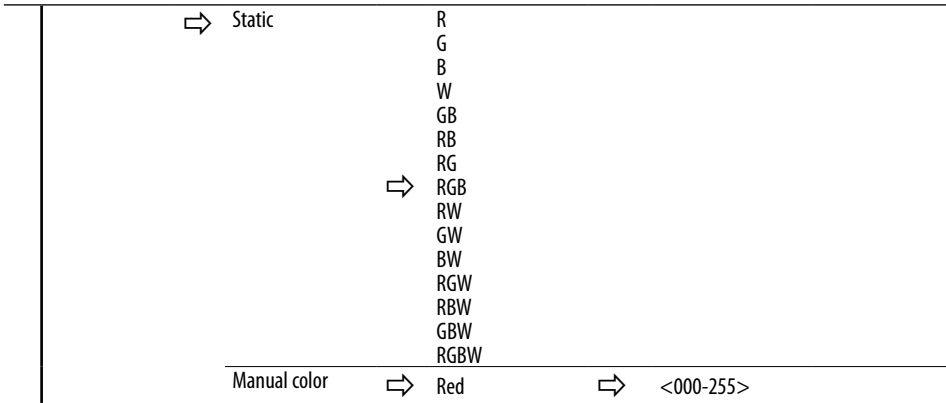


MENU	ENTER	▲ UP	▼ DOWN
Per scorrere il menu principale o tornare ad una opzione del menu precedente	Per entrare nel menu selezionato o confermare il valore attuale della funzione o l'opzione all'interno di un menu	Per scorrere attraverso le diverse funzioni in ordine discendente o aumentare il valore della funzione stessa	Per scorrere attraverso le diverse funzioni in ordine ascendente o diminuire il valore della funzione stessa

Fig.4

3.3 STRUTTURA MENU

MENU						
1	CONNECT	⇒ DMX Address	⇒ Value (1-512)			
			⇒ DMX Mode	⇒ 5Ch 7Ch 10Ch 17Ch 22Ch		
		⇒ Wireless Setting	⇒ Receive Off/On	⇒ Off On		
			⇒ Receive Reset	⇒ No Yes		
			⇒ Wireless To DMX	⇒ No Yes		
2	SETUP	⇒ Screen	⇒ Back Light	⇒ On 10s 20s 30s		
			⇒ Flip Display	⇒ No Yes		
		⇒ Key Lock	⇒ No Yes			
		3	ADVANCED	⇒ Full On	⇒ HB Mode Studio Mode	
⇒ Dimmer Mode	⇒ Off Dimmer1 Dimmer2 Dimmer3					
⇒ White Balance	⇒ Off Adjust			⇒ Red Green Blue White	⇒ <125-255>	
	⇒ LED Frequency			⇒ 600Hz 1200Hz 2000Hz 4000Hz 6000Hz 25kHz		
⇒ Factory Reload	⇒ No Yes					
4	INFORMATION			⇒ Fixture Hours	⇒ 0-9999	
		⇒ Version	⇒ V1.0			
		⇒ UID	⇒ <15D00232 ****>			
5	STAND ALONE	⇒ Master/Slave	⇒ Master Slave			
		⇒ Effects	⇒ Effect 1 Effect 9	⇒ <1-100>		



3.4 MODALITÀ DMX

- Premere il tasto MENU fino a quando sul display non appare **Connect**, quindi premere ENTER.
- Tramite i tasti UP/DOWN selezionare **DMX Mode**, dopodiché scegliere la modalità DMX desiderata: **5 Ch**, **7 Ch** o **11 Ch**.
- Premere ENTER per confermare.
- Premere ripetutamente il tasto MENU per uscire dal menu e salvare le modifiche apportate.

Le tabelle a pagina 16 e 17 indicano le modalità di funzionamento e i relativi valori DMX. Come interfaccia DMX, l'unità possiede dei contatti XLR a 5 poli.

1. Collegare l'uscita DMX OUT dell'unità principale con l'ingresso DMX IN della prima unità secondaria servendosi di un cavo XLR a 5 poli.
2. Collegare l'uscita DMX OUT della prima unità secondaria con l'ingresso DMX IN della seconda unità secondaria ecc.

3.5 INDIRIZZAMENTO DMX

- Premere il tasto MENU fino a quando sul display non appare **Connect**, quindi premere ENTER.
- Tramite i tasti UP/DOWN selezionare **DMX Address**, quindi premere ENTER.
- Utilizzare i tasti UP/DOWN per impostare l'indirizzo DMX desiderato **001 - 512**. Tenere premuto per lo scorrimento veloce.
- Premere ENTER per confermare.

Number of DMX channels	Start address (example)	DMX Address occupied	Next possible start address for unit No. 1	Next possible start address for unit No. 2	Next possible start address for unit No. 3
5	33	33-37	38	43	48
7	33	33-39	40	47	54
10	33	33-42	43	53	63
13	33	33-45	46	59	72
17	33	33-49	50	67	84

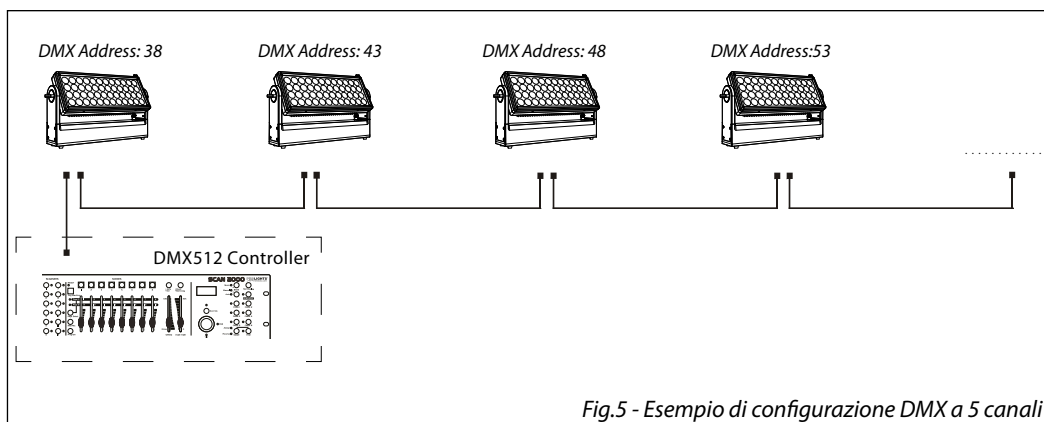


Fig.5 - Esempio di configurazione DMX a 5 canali

Per poter comandare il SOLAR48Q con un'unità di comando luce, occorre impostare l'indirizzo di start DMX per il primo canale DMX. Se, per esempio, sull'unità di comando è previsto l'indirizzo 33 per comandare la funzione del primo canale DMX, si deve impostare sul SOLAR48Q l'indirizzo di start 33. Le altre funzioni del pannello saranno assegnate automaticamente agli indirizzi successivi. Segue un esempio con indirizzo 33 di start:

3.6 IMPOSTAZIONI WIRELESS

- Per entrare nella modalità Wireless premere il tasto MENU fino a quando il display mostra **Connect**, dopodiché selezionare **Wireless Setting**, quindi premere il tasto ENTER.
- Selezionare la funzione **Receive On/Off** usando i pulsanti UP/DOWN, quindi premere il tasto ENTER.
- Per attivare la funzione **Receive**, utilizzare i pulsanti UP/DOWN e selezionare l'opzione **On**.
- Premere il pulsante ENTER per confermare la selezione.
- Premere il pulsante MENU per tornare indietro o attendere alcuni secondi per uscire dal menu di configurazione.

NOTA: una volta eseguiti questi passaggi, è necessario sincronizzarsi con qualsiasi unità WiFi con la quale si vuol comunicare premendo il pulsante di sincronizzazione su di esso. A questo punto collegare la console DMX all'Unità WiFi per aprire la comunicazione col SOLAR48Q.

- Per ripristinare l'unità, selezionare **Receive Reset** utilizzando i pulsanti UP/DOWN, premere il pulsante MENU fino a quando sul display non viene visualizzato **Connect**, quindi selezionare **Receive Reset** utilizzando i pulsanti UP/DOWN, quindi premere il pulsante ENTER.
- Per attivare la modalità utilizzare i tasti UP/DOWN e selezionare l'opzione **Yes**.
- Premere il pulsante ENTER per confermare la selezione.
- Premere il pulsante MENU per tornare indietro o attendere alcuni secondi per uscire dal menu di configurazione.
- Per attivare la funzione **Wireless to DMX**, utilizzare i pulsanti UP/DOWN per premere il pulsante MENU fino a quando il display mostra **Connect**, quindi selezionare **Wireless to DMX**, quindi premere il tasto ENTER.
- Per attivare la modalità utilizzare i pulsanti UP/DOWN e selezionare l'opzione **Yes**.
- Premere il pulsante ENTER per confermare la selezione.
- Premere ripetutamente il tasto MENU per uscire dal menu e salvare le modifiche apportate.

3.7 SCREEN

È possibile modificare i seguenti parametri, come mostrato, seguendo la stessa procedura:

- Premere il tasto MENU per accedere al menu principale.

- Premere il tasto UP / DOWN per scorrere nel menu, selezionare **Set Up**, quindi premere il tasto ENTER per accedere al menu successivo.
- Premere il tasto UP / DOWN per selezionare **Screen** e premere il tasto ENTER per procedere.
- Controlla l'opzione proposta con il tasto UP / DOWN e premi il tasto ENTER per confermare.
 - **Backlight** - Retroilluminazione display Auto Off. Questa funzione consente di spegnere automaticamente la retroilluminazione del display dopo un determinato tempo che può essere impostato tramite i tasti direzionali. Per avere il display sempre acceso seleziona **On** oppure imposta un valore (**10s, 20s, 30s**) per far funzionare il display una volta trascorso il tempo scelto, dopo l'uscita dal menu.
 - **Flip Display** - Orientamento del display. Questa funzione consente di ruotare il display di 180° per ottenere una migliore visualizzazione del display quando l'unità è sospesa a testa in giù. Selezionare **Yes** per attivare la funzione oppure **No** per disattivare.
 - **Key lock** - Blocco tasti. Con questa funzione è possibile bloccare i tasti del pannello di controllo, per evitare, ad esempio, manomissioni delle impostazioni. Se questa funzione è attiva, i tasti vengono bloccati automaticamente. Per ripristinare o disattivare la funzione di blocco tasti, premere i tasti nel seguente ordine , per riottenere l'accesso ai comandi di menu: UP, DOWN, UP, DOWN, ENTER. Selezionare **Yes** per eseguire la funzione oppure **No** per disattivare.
- Premere il tasto ENTER per conferma la scelta.
- Premere il tasto MENU più volte per uscire dal menu e per salvare le modifiche apportate.

3.8 ADVANCED

Puoi modificare i parametri seguendo questi passaggi:

- Premere il tasto MENU per accedere al menu principale.
- Utilizzare i pulsanti UP/DOWN per selezionare **Advanced**. Premere il pulsante ENTER per confermare.
- Premere i pulsanti UP/DOWN per selezionare l'opzione desiderata e premere il pulsante ENTER per confermare:
 - **Full On Mode** - Seleziona la funzione **Full on Mode** per selezionare la modalità **HB** (modalità High Brightness, con il valore massimo dei colori) o **Studio**, con una calibrazione automatica del bianco.
 - **White Balance** - Selezionare la funzione **White Balance** per impostare il bilanciamento del bianco modificando i valori (**125-255**) dei colori **Red, Green, Blue and White**.
 - **Dimmer Mode** - Modalità Dimmer - Regolazione del dimmer. Entra in modalità Dimmer per selezionare la specifica curva dimmer.
- **Off**: l'aumento dell'intensità della luce è lineare
- **Dimmer 1**:: curva dimmer con fade basso.
- **Dimmer 2**: curva dimmer con fade medio.
- **Dimmer 3**: curva dimmer con fade alto.
 - **LED Frequency** - Per regolare la frequenza dei LED. Selezionare la frequenza **600 Hz - 25 KHz** usando i pulsanti UP/DOWN e premere il pulsante ENTER per confermare la selezione.
 - **Factory Reload** - Per ripristinare l'unità. Selezionare **Yes** o **No** e premere ENTER per confermare.
- Premere ripetutamente il tasto MENU per uscire dal menu e salvare le modifiche apportate.

3.9 INFORMAZIONI SUL DISPOSITIVO

Per visualizzare tutte le informazioni sul dispositivo, procedere nel modo seguente:

- Premere il pulsante MENU per accedere al menu principale. Premere il tasto UP/DOWN per selezionare **Information**, quindi premere il tasto ENTER per accedere al menu successivo:
 - **Fixture Hours** - Per vedere il tempo di funzionamento del proiettore.
 - **Software Version** - To view the firmware version will show on the display.
 - **UID** - per visualizzare l'ID di identificazione per il controllo RDM.
- Premere il pulsante ENTER per confermare la selezione e attendere che la funzione selezionata sia ri-

pristinata.

- Premere ripetutamente il tasto MENU per uscire dal menu e salvare le modifiche apportate.

3.10 MASTER/SLAVE MODE

Questa modalità consente di collegare in linea più unità SOLAR48Q senza un controller. La prima unità sarà impostata come master e le altre funzioneranno come slave con lo stesso effetto.

- Premere il tasto MENU fino a quando sul display non appare **Stand Alone**, quindi premere il tasto ENTER per confermare la scelta.
- Seleziona **Master/Slave**, quindi premere il tasto ENTER per confermare la scelta.
- Sull'unità MASTER selezionare il programma desiderato.
- Servirsi dei connettori DMX del SOLAR48Q e di un cavo XLR per formare una catena di unità.

In certe condizioni e lunghezze si consiglia di effettuare una terminazione come mostrato a pagina 15.

NOTA: dopo aver selezionato la modalità descritta, l'unità sarà automaticamente Master.

3.11 FIXTURE COLOR

L'unità dispone di preset colori pre-programmati che possono essere impostati attraverso la seguente procedura:

- Premere il tasto MENU fino a quando sul display non appare **Stand Alone**, quindi premere il tasto ENTER.
- Selezionare **Static** attraverso i tasti UP/DOWN, quindi premere il tasto ENTER.
- Selezionare **Fixed Color** attraverso i tasti UP/DOWN, quindi premere il tasto ENTER.
- Impostare i colori **R , G , B , W, GB, RB, RG, RGB, RW, GW, BW, RGW, RBW, GBW, RGBW** attraverso i tasti UP/DOWN, quindi premere il tasto ENTER.
- Premere ripetutamente il tasto MENU per uscire dal menu e salvare le modifiche apportate.

NOTA: dopo aver selezionato la modalità descritta, l'unità sarà automaticamente Master.

3.12 MANUAL COLOR MODE

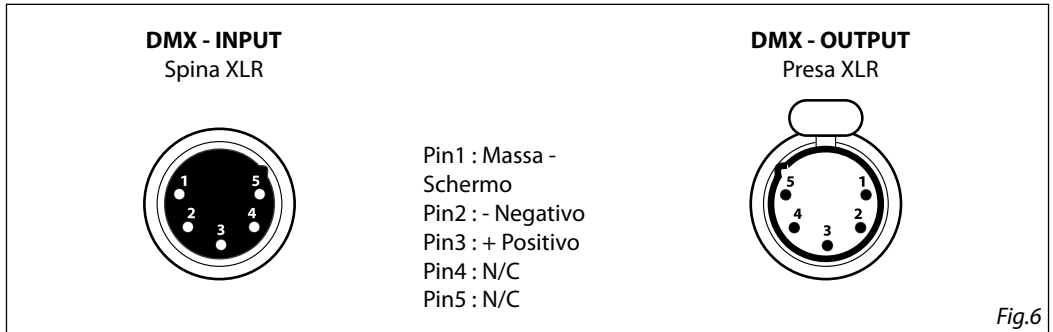
Per impostare il bilanciamento personalizzato dei colori rosso, verde e blu, far riferimento alla seguente procedura:

- Premere il tasto MENU fino a quando sul display non appare **Stand Alone**, quindi premere il tasto ENTER.
- Selezionare **Static** attraverso i tasti UP/DOWN, quindi premere il tasto ENTER.
- Selezionare **Manual Color** attraverso i tasti UP/DOWN, quindi premere il tasto ENTER.
- Selezionare il colore **R, G, B , W** attraverso i tasti UP/DOWN, quindi premere il tasto ENTER.
- Utilizzare i tasti UP/DOWN per impostare il valore desiderato **000 - 255**.
- Premere il tasto ENTER per continuare e passare al successivo colore **R, G, B, W**. ed ottenere la miscelazione desiderata.
- Premere ripetutamente il tasto MENU per uscire dal menu e salvare le modifiche apportate.
- NOTA: dopo aver selezionato la modalità descritta, l'unità sarà automaticamente Master.

3.13 COLLEGAMENTI DELLA LINEA DMX

La connessione DMX è realizzata con connettori standard XLR. Utilizzare cavi schermati, 2 poli ritorti, con impedenza 120Ω e bassa capacità.

Per il collegamento fare riferimento allo schema di connessione riportato di seguito:



ATTENZIONE

La parte schermata del cavo (calza) non deve mai essere collegata alla terra dell'impianto; ciò comporterebbe malfunzionamenti delle unità e dei controller.

Per passaggi lunghi può essere necessario l'inserimento di un amplificatore DMX.

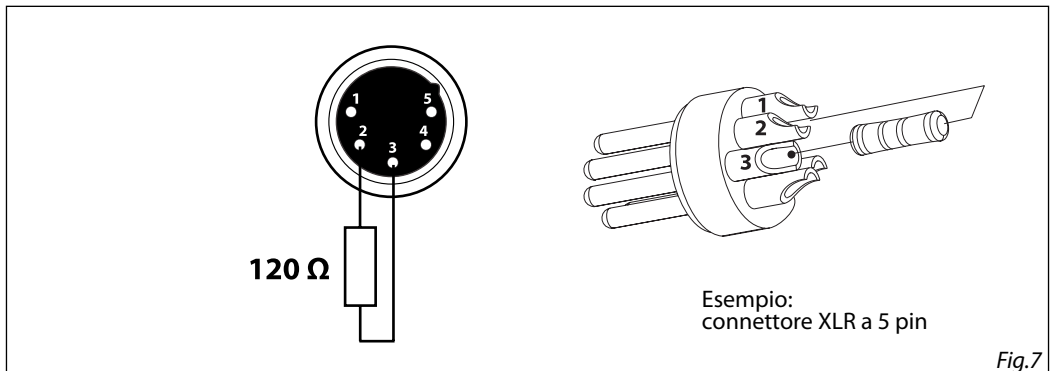
In tal caso, è sconsigliato utilizzare nei collegamenti cavo bilanciato microfonico poiché non è in grado di trasmettere in modo affidabile i dati di controllo DMX.

- Collegare l'uscita DMX del controller con l'ingresso DMX della prima unità;
- Collegare, quindi, l'uscita DMX con l'ingresso DMX della successiva unità; l'uscita di quest'ultima con l'ingresso di quella successiva e via dicendo finché tutte le unità sono collegate formando una catena.
- Per installazioni in cui il cavo di segnale deve percorrere lunghe distanze è consigliato inserire sull'ultima unità una terminazione DMX.

3.14 COSTRUZIONE DEL TERMINATORE DMX

La terminazione evita la probabilità che il segnale DMX 512, una volta raggiunta la fine della linea stessa venga riflesso indietro lungo il cavo, provocando, in certe condizioni e lunghezze, la sua sovrapposizione al segnale originale e la sua cancellazione.

La terminazione deve essere effettuata, sull'ultima unità della catena, con connettori XLR a 3/5 pin, saldando una resistenza di 120Ω (minimo $1/4W$) tra i terminali 2 e 3, così come indicato in figura.



3.15 CANALI DMX

5 CHANNELS

MODE 5 Ch	FUNCTION	DMX Value
1	RED 0~100%	000 - 255
2	GREEN 0~100%	000 - 255
3	BLUE 0~100%	000 - 255
4	WHITE 0~100%	000 - 255
5	DIMMER SPEED MODE Preset dimmer speed from display menu Dimmer speed mode off Dimmer speed mode1 (fast speed) Dimmer speed mode2 (middle speed) Dimmer speed mode3 (slow speed)	000-051 052-101 102-152 153-203 204-255

7 CHANNELS

MODE 7 Ch	FUNCTION	DMX Value
1	DIMMER 0~100%	000 - 255
2	RED 0~100%	000 - 255
3	GREEN 0~100%	000 - 255
4	BLUE 0~100%	000 - 255
5	WHITE 0~100%	000 - 255
6	STROBE No function Strobe Slow to Fast	000 - 010 011 - 255
7	DIMMER SPEED MODE Preset dimmer speed from display menu Dimmer speed mode off Dimmer speed mode1 (fast speed) Dimmer speed mode2 (middle speed) Dimmer speed mode3 (slow speed)	000-051 052-101 102-152 153-203 204-255

10 CHANNELS

MODE 10 Ch	FUNCTION	DMX Value
1	DIMMER 0~100%	000 - 255
2	RED 0~100%	000 - 255
3	GREEN 0~100%	000 - 255
4	BLUE 0~100%	000 - 255
5	WHITE 0~100%	000 - 255
6	STROBE No function Strobe Slow to Fast	000 - 010 011 - 255
7	COLOR MACRO No Function R 100%, G 0~100%, B 0 % R 100%~0 %, G 100%, B 0 % R 0 %, G 100%, B 0~100% R 0 %, G 100~0 %, B 100% R 0~100%, G 0 %, B 100% R 100%, G 0 %, B 100~0 % R 100%, G 0~100%, B 0~100% R 100~0 %, G 100~0 %, B 100% R 100%, G 100%, B 100%, W 100%	000 - 010 011 - 030 031 - 050 051 - 070 071 - 090 091 - 110 111 - 130 131 - 150 151 - 170 171 - 200 201 - 205 206 - 210 211 - 215 216 - 220 221 - 225 226 - 230 231 - 235 236 - 240 241 - 245 246 - 250 251 - 255

10 CHANNELS

MODE 10 Ch	FUNCTION	DMX Value
8	EFFECTS	
	NO Function	000-010
	Effect 1	011-037
	Effect 2	038-064
	Effect 3	065-091
	Effect4	092-118
	Effect5 (Effects1- 4)	119-145
	Effect 6	146-172
	Effect 7	173-199
Effect 8	200-226	
Effect 9 (Effects6- 8)	227-255	
9	EFFECTS SPEED	
	Effects speed slow to fast	000 - 255
10	DIMMER SPEED MODE	
	Preset dimmer speed from display menu	000 - 051
	Dimmer speed mode off	052 - 101
	Dimmer speed mode 1 (fast speed)	102 - 152
	Dimmer speed mode 2 (middle speed)	153 - 203
Dimmer speed mode 3 (slow speed)	204 - 255	

17 CHANNELS

MODE 17 Ch	FUNCTION	DMX Value
1	RED 1	
	0~100%	000 - 255
2	GREEN 1	
	0~100%	000 - 255
3	BLUE 1	
	0~100%	000 - 255
4	WHITE 1	
	0~100%	000 - 255
5	RED 2	
	0~100%	000 - 255
6	GREEN 2	
	0~100%	000 - 255
7	BLUE 2	
	0~100%	000 - 255
8	WHITE 2	
	0~100%	000 - 255
9	RED 3	
	0~100%	000 - 255
10	GREEN 3	
	0~100%	000 - 255
11	BLUE 3	
	0~100%	000 - 255
12	WHITE 3	
	0~100%	000 - 255
13	RED 4	
	0~100%	000 - 255
14	GREEN 4	
	0~100%	000 - 255
15	BLUE 4	
	0~100%	000 - 255
16	WHITE 4	
	0~100%	000 - 255
17	DIMMER SPEED MODE	
	Preset dimmer speed from display menu	000-051
	Dimmer speed mode off	052-101
	Dimmer speed mode1 (fast speed)	102-152
	Dimmer speed mode2 (middle speed)	153-203
Dimmer speed mode3 (slow speed)	204-255	

22 CHANNELS

MODE 22 Ch	FUNCTION	DMX Value
1	DIMMER 0~100%	000 - 255
2	STROBE 1 No function Strobe Slow to Fast	000 - 010 011 - 255
3	STROBE 2 No function Strobe Slow to Fast	000 - 010 011 - 255
4	STROBE 3 No function Strobe Slow to Fast	000 - 010 011 - 255
5	STROBE 4 No function Strobe Slow to Fast	000 - 010 011 - 255
6	RED 1 0~100%	000 - 255
7	GREEN 1 0~100%	000 - 255
8	BLUE 1 0~100%	000 - 255
9	WHITE 1 0~100%	000 - 255
10	RED 2 0~100%	000 - 255
11	GREEN 2 0~100%	000 - 255
12	BLUE 2 0~100%	000 - 255
13	WHITE 2 0~100%	000 - 255
14	RED 3 0~100%	000 - 255
15	GREEN 3 0~100%	000 - 255
16	BLUE 3 0~100%	000 - 255
17	WHITE 3 0~100%	000 - 255

22 CHANNELS

MODE 22 Ch	FUNCTION	DMX Value
18	RED 4 0~100%	000 - 255
19	GREEN 4 0~100%	000 - 255
20	BLUE 4 0~100%	000 - 255
21	WHITE 4 0~100%	000 - 255
22	DIMMER SPEED MODE Preset dimmer speed from display menu Dimmer speed mode off Dimmer speed mode1 (fast speed) Dimmer speed mode2 (middle speed) Dimmer speed mode3 (slow speed)	000-051 052-101 102-152 153-203 204-255

- 4 - MANUTENZIONE

4.1 MANUTENZIONE E PULIZIA DEL SISTEMA OTTICO

- Durante gli interventi, assicurarsi che l'area sotto il luogo di installazione sia libera da personale non qualificato.
- Spegnerne l'unità, scollegare il cavo di alimentazione ed aspettare finché l'unità non si sia raffreddata.
- Tutte le viti utilizzate per l'installazione dell'unità e le sue parti dovrebbero essere assicurate saldamente e non dovrebbero essere corrose.
- Alloggiamenti, elementi di fissaggio e di installazione (soffitto, truss, sospensioni) dovrebbero essere totalmente esenti da qualsiasi deformazione.
- Quando una lente ottica è visibilmente danneggiata a causa di rotture o graffi profondi, deve essere sostituita.
- I cavi di alimentazione devono essere in condizione impeccabile e dovrebbero essere sostituiti immediatamente nel momento in cui anche un piccolo problema viene rilevato.
- Al fine di proteggere l'unità da surriscaldamento, le ventole di raffreddamento (e nel caso) le aperture di ventilazione, devono essere pulite mensilmente.

Per mantenere funzionalità e rendimento ottimali per lungo tempo è indispensabile effettuare una pulizia periodica delle parti soggette all'accumulo di polveri e grassi. La frequenza con la quale effettuare le operazioni sotto indicate dipende da diversi fattori, quali la quantità di movimenti degli effetti e la qualità dell'ambiente di lavoro (umidità dell'aria, presenza di polvere, salsedine, ecc.). Per rimuovere lo sporco dal riflettore, dalle lenti e dai filtri usare un panno morbido inumidito di un qualsiasi liquido detergente per la pulizia del vetro. Annualmente si consiglia di sottoporre il proiettore a personale tecnico qualificato per una manutenzione straordinaria consistente almeno nelle seguenti operazioni:

- Pulizia generale delle parti interne.
- Ripristino della lubrificazione di tutte le parti soggette ad attrito tramite l'utilizzo di lubrificanti appropriati.
- Controllo visivo generale di componenti interni, cablaggio, parti meccaniche, ecc.
- Controlli elettrici, fotometrici e funzionali; eventuali riparazioni.

Attenzione: consigliamo che la pulizia interna sia eseguita da personale qualificato!

4.2 RISOLUZIONE DEI PROBLEMI

Anomalie	Possibili cause	Controlli e rimedi
Il proiettore non illumina	<ul style="list-style-type: none"> • Mancanza di alimentazione di rete • Dimmer impostato a 0 • Tutti i colori impostati a 0 • LED difettoso/i • Scheda LED difettosa 	<ul style="list-style-type: none"> • Verificare la presenza della tensione alimentazione • Incrementare i valori del canale dimmer • Incrementare i valori dei canali colori • Sostituire scheda LED • Sostituire scheda LED
Bassa intensità di luce generale	<ul style="list-style-type: none"> • Lenti sporche • Lente disallineata 	<ul style="list-style-type: none"> • Pulire il dispositivo regolarmente • Installare il gruppo ottico correttamente
Il proiettore non è alimentato	<ul style="list-style-type: none"> • Mancanza di alimentazione di rete • Cavo di alimentazione danneggiato • Alimentatore interno difettoso 	<ul style="list-style-type: none"> • Verificare la presenza della tensione alimentazione • Controllare il cavo di alimentazione • Sostituire l'alimentatore interno
Il proiettore non risponde al DMX	<ul style="list-style-type: none"> • Indirizzamento DMX errato • Cavo di segnale DMX difettoso • Rimbalzo segnale DMX 	<ul style="list-style-type: none"> • Controllare il pannello di controllo e l'indirizzamento delle unità • Controllare il cavo di segnale DMX • Installare una terminazione DMX come suggerito

Rivolgersi a un centro di assistenza tecnico autorizzato nel caso in cui il problema non sia riportato in tabella.

