



Sunrise 2IP

IP rated modular LED blinder with 2x75W
LED WW and Tungsten emulation



USER MANUAL

Thank you for choosing PROLIGHTS

Please note that every PROLIGHTS product has been designed in Italy to meet quality and performance requirements for professionals and designed and manufactured for the use and application as shown in this document.

Any other use, if not expressly indicated, could compromise the good condition/operation of the product and/or be a source of danger.

This product is meant for professional use. Therefore, commercial use of this equipment is subject to the respectively applicable national accident prevention rules and regulations.

Features, specifications and appearance are subject to change without notice. Music & Lights S.r.l. and all affiliated companies disclaim liability for any injury, damage, direct or indirect loss, consequential or economic loss or any other loss occasioned by the use of, inability to use or reliance on the information contained in this document.

Product user manual can be downloaded from the website www.prolights.it, or can be inquired to the official PROLIGHTS distributors of your territory (https://www.prolights.it/sales_network.html).

Scanning the below **QR Code**, you will access the download area of the product page, where you can find a broad set of always updated technical documentation: specifications, user manual, technical drawings, photometrics, personalities, fixture firmware updates.



Visit the download area
of the product page



The PROLIGHTS Logo, PROLIGHTS names and all other trademark in this document pertaining to PROLIGHTS services or PROLIGHTS product are trademarks OWNED or licensed by Music & Lights S.r.l., its affiliates, and subsidiaries. PROLIGHTS is a registered trademark by Music & Lights S.r.l. All right reserved. Music & Lights – Via Appia km 136,200; Itri 04020, Italy.

INDEX

SAFETY INFORMATION	02
1 - PACKAGING	05
PACKAGE CONTENT	05
OPTIONAL ACCESSORIES	05
2 - TECHNICAL DRAWING	05
3 - INSTALLATION	06
MOUNTING	06
4 - CONNECTION TO THE MAINS SUPPLY	07
5 - START UP	07
CONNECT AND DISCONNECT POWER FROM THE PRODUCT	07
6 - PRODUCT OVERVIEW	08
7 - DMX CONNECTION	09
CONNECTION OF THE CONTROL SIGNAL: DMX LINE	09
INSTRUCTIONS FOR A RELIABLE DMX CONNECTION	09
CONNECTION DAISY CHAIN	09
CONNECTION OF THE DMX LINE	09
CONSTRUCTION OF THE DMX TERMINATION	10
DMX ADDRESSING	10
8 - CONTROL PANEL	11
DISPLAY AND BUTTONS LAYOUT	11
9 - MENU STRUCTURE	12
10 - RDM FUNCTIONS	14
11 - ERROR MESSAGES	15
12 - DMX CHARTS	16
13 - ACCESSORIES INSTALLATION	18
HANGING BRACKET (CODE SR2IPHB02H - INCLUDED)	18
HANGING BRACKET (CODE SR2IPHB01V - OPTIONAL)	19
HANGING BRACKET (CODE SR2IPHB02V - OPTIONAL)	20
HANGING BRACKET (CODE SR2IPHB04H - OPTIONAL)	21
14 - MAINTENANCE	22
MAINTENANCE AND CLEANING THE PRODUCT	22
REPLACING THE FUSE	22
VISUAL CHECK OF PRODUCT HOUSING	22
TROUBLESHOOTING	23

SAFETY INFORMATION



WARNING!

- Please read carefully the instruction reported in this section before installing, powering, operating or servicing the product and observe the indications also for its future handling.



This unit is not for household use, only professional applications.



Connection to mains supply

- The Connection to the mains supply must be carried out by a qualified electrical installer.
- Use only AC supplies 100-240V 50-60 Hz, the fixture must be electrically connected to ground (earth).
- Select the cable cross section in according with the maximum current draw of the product and the possible number of products connected at the same power line.
- The AC mains power distribution circuit must be equipped with magnetic+residual current circuit breaker protection.
- Do not connect it to a dimmer system; doing so may damage the product.



Protection and Warning against electrical shock

- Do not remove any cover from the product, always disconnect the product from AC power before servicing.
- Ensure that the fixture is electrically connected to ground (earth). And use only a source of AC power that complies with local building and electrical codes and has both overload and ground-fault (earth-fault) protection.
- Before using the fixture, check that all power distribution equipment and cables are in perfect condition and rated for the current requirements of all connected devices.
- Isolate the fixture from power immediately if the power plug or any seal, cover, cable, or other components are damaged, defective, deformed or showing signs of overheating.
- Do not reapply power until repairs have been completed.
- Refer any service operation not described in this manual to PROLIGHTS Service team or an authorized PROLIGHTS service center.



Installation

- Make sure that all visible parts of the product are in good visible condition before its use or installation.
- Make sure the point of anchorage is stable before positioning the projector.
- When suspending the fixture above ground level, secure it against failure of primary attachments by attaching a safety cable that is approved as a safety attachment for the weight of the fixture to the attachment point on the main frame of the product. In case the safety cable, enter in action, it needs to be replaced with a new one.
- Install the product only in well ventilated places.
- For non temporary installations, ensure that the fixture is securely fastened to a load-bearing surface with suitable corrosionresistant hardware.
- For a temporary installation with clamps, ensure that the quarter-turn fastener and/or screws are turned fully, and secured with a suitable safety cable.



Minimum distance of illuminated objects

- The projector needs to be positioned so that the objects hit by the beam of light are at least 0.5 meters (1.64 ft) from the lens of the projector.

T_a45°C

Max operating ambient temperature (T_a)

- Do not operate the fixture if the ambient temperature (T_a) exceeds 45 °C (113 °F).

T_a-20°C

Minimum operating ambient temperature (T_a)

- Do not operate the fixture if the ambient temperature (T_a) is below -20 °C (-4 °F).



Protection from burns and fire

- The exterior of the fixture becomes hot during use. Avoid contact by persons and materials.
- Ensure that there is free and unobstructed airflow around the fixture.
- Keep flammable materials well away from the fixture
- Do not expose the front glass to sunlight or any other strong light source from any angle. Lenses can focus the sun's rays inside the fixture, creating a potential fire hazard.
- Do not attempt to bypass thermostatic switches or fuses.

IP65

Outdoor (temporary) use*

- This product is rated with an IP (Ingress protection) for temporary outdoor use when used and serviced according to the instruction contained in this document.
- Never use the fixture in places subject to vibrations or bumps.
- Make certain that no inflammable liquids, water or metal objects enter the fixture.
- Excessive dust, smoke fluid, and particle build up degrades performance, causes overheating and will damage the fixture.
- Damages caused by inadequate cleaning or maintenance are not covered by the product warranty.

T_c75°C

Temperature of the external surface

- The surface of the fixture can reach up to 75 °C (167 °F) during operation. Avoid contact with people and materials.



Maintenance

- Warning! Disconnect the fixture from AC mains power and allow to cool for at least 10 minutes before handling.
- Only technicians who are authorized by PROLIGHTS or Authorised service partners are permitted to open the fixture.
- Users may carry out external cleaning, following the warnings and instructions provided, but any service operation not described in this manual must be referred to a qualified service technician.
- Important! Excessive dust, smoke fluid, and particle build up degrades performance, causes overheating and will damage the fixture. Damages caused by inadequate cleaning or maintenance is not covered by the product warranty.



Photobiological safety

- This device emits potentially dangerous optical radiation and is identified in the category of Risk Group 1 according to EN 62471.



Do not stare at the operating light source

- Do not look directly at the LED source during operation. It can be harmful to the eyes and skin.
- During Installation, operation and maintenance, be prepared for the fixture to light and move suddenly when connected to power.



Disposal

- This product is supplied in compliance with European Directive 2012/19/EU – Waste Electrical and Electronic Equipment
- (WEEE). To preserve the environment please dispose/ recycle this product at the end of its life according to the local regulation.



The product contains a lithium ion battery

- Don't throw the unit into the garbage at the end of its lifetime.
- Make sure to dispose according to your local ordinances and/or regulations, to avoid polluting the environment!
- The packaging is recyclable and can be disposed.



The products to which this manual refers comply with:

- 2014/35/EU - Safety of electrical equipment supplied at low voltage (LVD).
- 2014/30/EU - Electromagnetic Compatibility (EMC).
- 2011/65/EU - Restriction of the use of certain hazardous substances (RoHS).

1 - PACKAGING

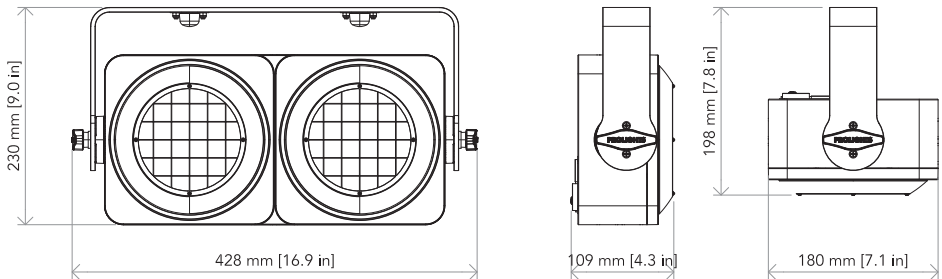
PACKAGE CONTENT

- 1x SUNRISE2IP;
- 1x 1,5 meters power cable (SCHUKO plug - SEETRONIC IP65 power connector);
- 1x SR2IPOS: quick-lock omega bracket for SUNRISE2IP;
- SR2IPHB02H: hanging bracket for SUNRISE2IP, 2x1 configuration, fixture horizontal;
- User manual.

OPTIONAL ACCESSORIES

- FCLSUNRISE2IP: flight case with internal compartments for 4 pcs of SUNRISE2IP;
- SR2IPHB01V: hanging bracket for SUNRISE2IP, 1x2 configuration, fixture vertical;
- SR2IPHB02V: hanging bracket for SUNRISE2IP, 2x2 configuration, fixture vertical;
- SR2IPHB04H: hanging bracket for SUNRISE2IP, 4x1 configuration, fixture horizontal;
- C6002: slim aluminium clamp, 200 kg loading, 48-51 mm tubes, M10 bolt;
- RSR1235A/B: steel security cable for hanging bodies, inox steel shackle, L=120 cm, silver/black;
- UPBOX1U: firmware uploader kit, USB IN, 3pin XLR DMX OUT.

2 - TECHNICAL DRAWING



Weight: 7.6 kg - 16.75lbs

Dimensions are in mm / in - Fig.1

3 - INSTALLATION

MOUNTING

Check that the supporting structure can safely bear the weight of all installed fixtures, clamps, cables, auxiliary equipment, etc. and complies with locally applicable regulations.

When suspending the fixture above ground level, secure it against failure of primary attachments by attaching a safety wire that is approved as a safety attachment for the weight of the fixture to an anchor point on the product main frame.

Do not use removable parts or weak anchors for secondary attachment.

Warning! When clamping the fixture to a truss or other structure at any angle, use clamps of half-coupler type. Do not use any type of clamp that does not completely encircle the structure when fastened.

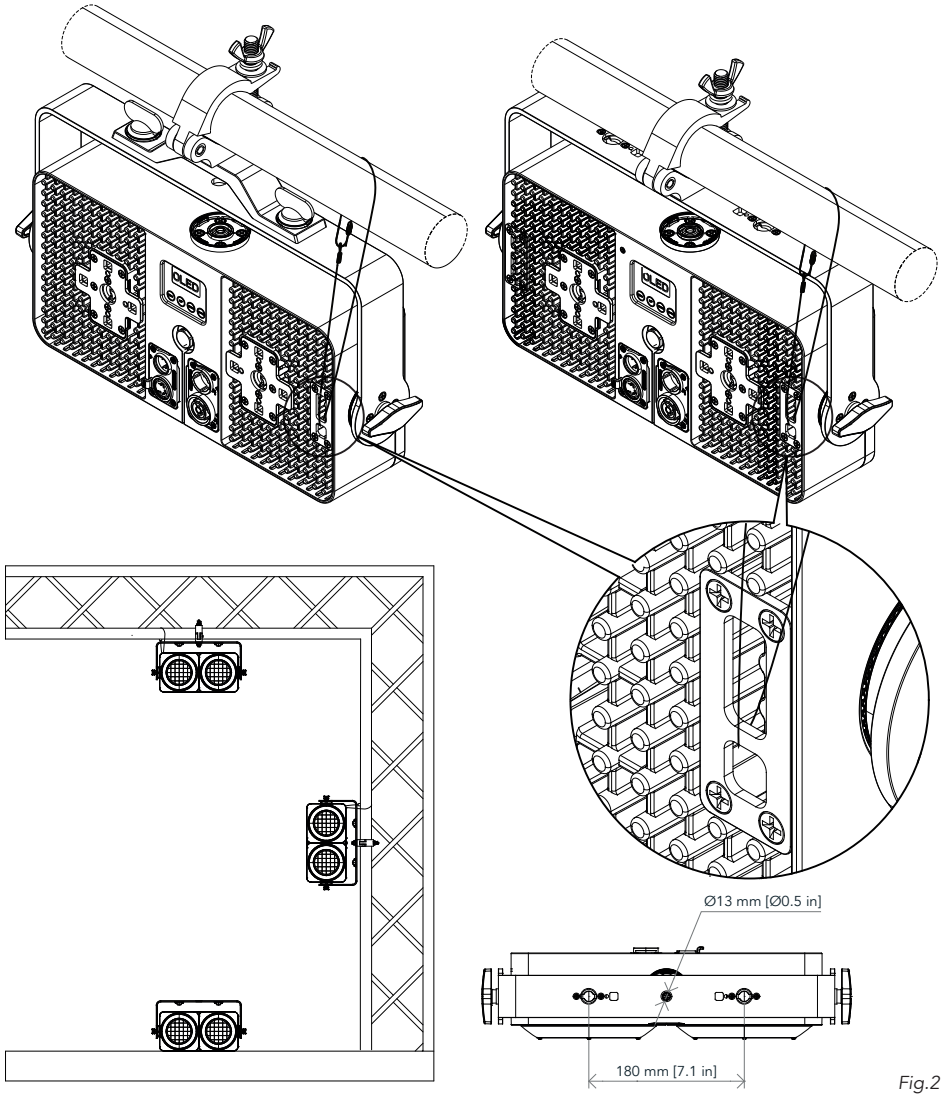


Fig.2


4 - CONNECTION TO THE MAINS SUPPLY

WARNING: For protection from electric shock, the fixture must be earthed!

The product is equipped with auto-switching power supply that automatically adjusts to any 50-60Hz AC power source from 100-240 Volts.

If you need to install a power plug on the power cable to allow connection to power outlets, install a grounding-type (earthed) plug, following the plug manufacturer's instructions. If you have any doubts about proper installation, consult a qualified electrician.

The max power consumption is 160W.

Core (EU)	Core (US)	Connection	Plug terminal marking
Brown	Black	Live	L
Blue	White	Neutral	N
Yellow+green	Green	Earth	

5 - START UP

CONNECT AND DISCONNECT POWER FROM THE PRODUCT

To apply and disconnect power to the product:

- Check that the product is installed and secured as indicated in the Safety Informations, and that personal safety will not be put at risk when the fixture lights up.
- Connect the power connector into the Mains input socket (100-240 VAC-50/60 Hz).
- The product is then ready for its operations and can be controlled through the available input signals on board.
- To disconnect power from the product, disconnect the Mains from the socket.

6 - PRODUCT OVERVIEW

1. BRACKET;
2. KNOB for bracket;
3. USER INTERFACE with display and buttons for access to the control panel functions;
4. HOLES for fast-lock omega brackets;
5. SAFETY EYE to attach safety cable;
6. DMX IN (5-p XLR): 1 = GND, 2 = sign-, 3 = sign+, 4 N/C, 5 N/C;
7. DMX OUT (5-p XLR): 1 = GND, 2 = sign-, 3 = sign+, 4 N/C, 5 N/C;
8. GORE VALVE;
9. POWER IN: for connection to the Mains 100-240V~/50-60Hz;
10. POWER OUT: power output for connection of multiple units in series.

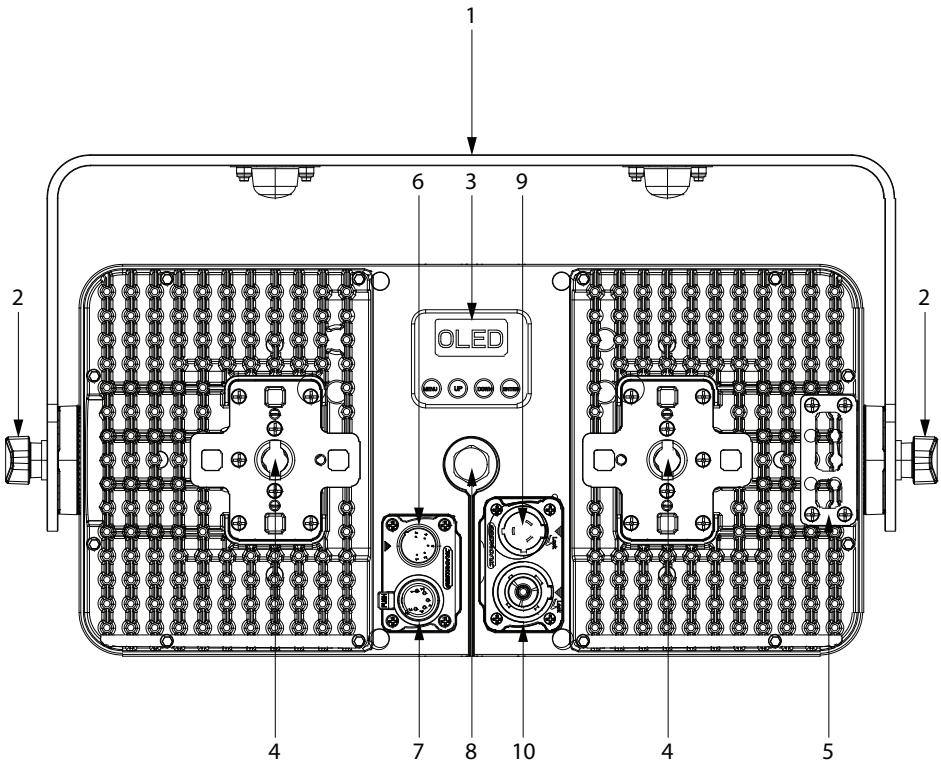


Fig.3

7 - DMX CONNECTION

CONNECTION OF THE CONTROL SIGNAL: DMX LINE

The product has XLR sockets for DMX input and output.
The default pin-out on both socket is as the following diagram:

**DMX - INPUT
XLR plug**



Pin1 : GND - Shield
Pin2 : - Signal
Pin3 : + Signal
Pin4 : N/C
Pin5 : N/C

**DMX - OUTPUT
XLR socket**



Fig.4

INSTRUCTIONS FOR A RELIABLE DMX CONNECTION

Use shielded twisted-pair cable designed for RS-485 devices: standard microphone cable cannot transmit control data reliably over long runs. 24 AWG cable is suitable for runs up to 300 meters (1000 ft). Heavier gauge cable and/or an amplifier is recommended for longer runs.
To split the data link into branches, use splitter-amplifiers in the connection line.
Do not overload the link. Up to 32 devices may be connected on a serial link.

CONNECTION DAISY CHAIN

Connect the DMX data output from the DMX source to the product DMX input (male connector XLR) socket.
Run the data link from the product XLR output (female connector XLR) socket to the DMX input of the next fixture.
Terminate the data link by connecting a 120 Ohm signal termination. If a splitter is used, terminate each branch of the link.
Install a DMX termination plug on the last fixture on the link.

CONNECTION OF THE DMX LINE

DMX connection employs standard XLR connectors. Use shielded pair-twisted cables with 120Ω impedance and low capacity.
The following diagram shows the connection mode:

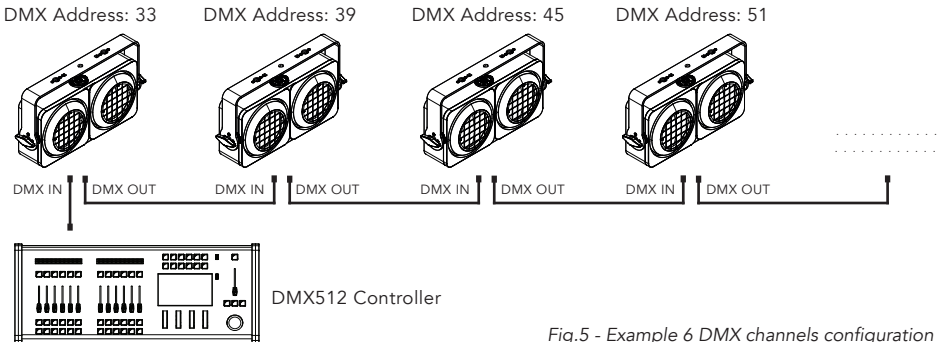


Fig.5 - Example 6 DMX channels configuration

CONSTRUCTION OF THE DMX TERMINATION

The termination is prepared by soldering a 120Ω 1/4 W resistor between pins 2 and 3 of the male XLR connector, as shown in figure.

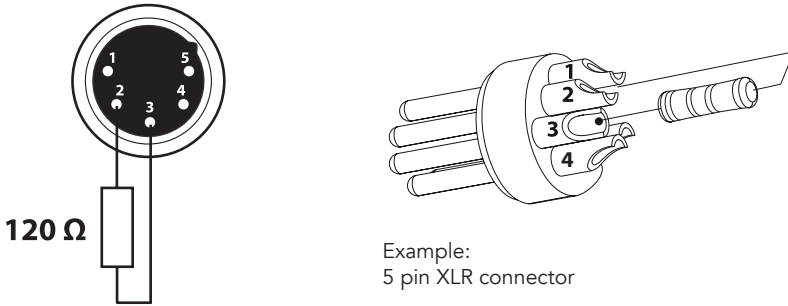


Fig.6

DMX ADDRESSING

In order to start controlling the product via DMX, the first step is to select a DMX address, also known as the start channel, this is the first channel used to receive instructions from a DMX controller. If you wish to control the product individually, it is necessary to assign a different starting address channel to each fixture.

The number of channels occupied from the product depends on the DMX mode selected, so always verify the DMX Mode in the MENU before start addressing.

If you assign two fixtures the same address, they will be executing the same behaviour. Selecting the same address to multiple fixtures can be useful for diagnostic purposes and symmetrical control.

DMX addressing is limited to make it impossible to set the DMX address so high that you are left without enough control channels for the product.

To set the fixture's DMX address:

1. Press MENU to open the main menu.
2. Reach the addressing menu, then select the DMX ADDRESS settings.
3. Select the address from 1 to 512 using the navigation arrows/buttons and confirm by pressing ENTER.
4. Press Menu to exit and return to the Home screen.

8 - CONTROL PANEL

The product has a display and buttons for access to the control panel functions.

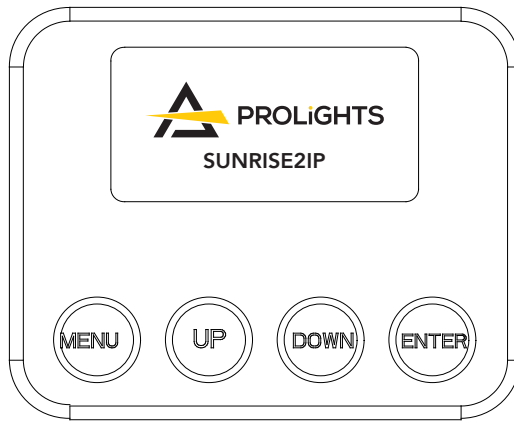


Fig.7

DISPLAY AND BUTTONS LAYOUT

The product has a display and buttons for access to the control panel functions:

- MENU: Used to access the menu tree or to return a previous menu window;
- UP: Browse upwards through the menu list and increases the numeric value displayed;
- DOWN: Browse downwards through the menu list and decreases the numeric value displayed;
- ENTER: Used to confirm the current menu or confirm the current function value or option within a menu.

9 - MENU STRUCTURE

The following chart describes the MENU tree of the product, the terms shown in **BOLD** indicates the default settings.

MENU					
1	CONNECT	DMX ADDRESS	001-512		
		DMX MODE	UNO	TUNGSTEN EMULATION ON	
				TUNGSTEN EMULATION OFF	
			BASIC	TUNGSTEN EMULATION ON	
				TUNGSTEN EMULATION OFF	
STANDARD					
	EXTENDED				
2	SETUP	SCREEN	BACKLIGHT	ON 10 s 20 s 30 s	Allows you to select the timing after that display will switch automatically off when unactive.
			FLIP DISPLAY	ON OFF	Allows you to rotate the display by 180°.
			KEY LOCK	ON OFF	Allows you lock the buttons on the control panel by a password. Press following combinations (password) in order to access to the user menu : UP, DOWN, UP, DOWN, ENTER,
			TEMPERATURE UNIT	°C °F	To choose the desired unit of temperature measurement.
		TRANSFER CONFIGURATION	NO DMX ADDRESS WITH DMX ADDRESS		To transfer the same menu settings of one fixtures to all the other in the daisy chain, including or not the dmx address.
3	ADVANCED	DIMMER CURVE	LINEAR S-CURVE SQUARE LAW INVERSE SQUARE LAW		To choose the dimmer curve.
		DIMMER SPEED	AUTO FAST MEDIUM SLOW		To choose the dimmer speed.
		WHITE CALIBRATION	OFF		Disable the White Calibration.
			MANUAL	TUNGSTEN 1 <125 ÷ 255> TUNGSTEN 2 <125 ÷ 255> AMBER <125 ÷ 255>	To adjust the max level for each color.
		TUNGSTEN EMULATION	ON OFF		Emulation of halogen lamp.
		LED FREQUENCY	600Hz 1200Hz 2000Hz 4000Hz 6000Hz 25KHz		Select PWM frequency
		DMX FAULT	HOLD BLACKOUT STAND ALONE		To choose the behaviour of fixture in case of dmx signal lost.
		INVERT MAPPING	ON OFF		To invert the pixel layout of the fixture.
		FACTORY RELOAD	NO YES		To reset the unit to factory default settings.

4	INFORMATION	DEVICE TIME	FIXTURE HOURS	TOTAL PARTIAL		
			CURRENT HOURS	TOTAL PARTIAL		
			SOURCE HOURS	TOTAL PARTIAL		
			POWER ON CYCLE	TOTAL PARTIAL		
			MAINTENANCE TIME	ELAPSED TIME ALERT PERIOD	10 ÷ 300	
		TEMPERATURE	NEAR SOURCE TEMP, DRIVER PCB TEMP, LED PCB TEMP,...			
		CHANNEL VALUES				
		ERROR MESSAGE				
		FIXTURE MODEL				
		DEVICE LABEL				
		SOFTWARE VER- SION				
		RDM UID	15D00228****			
5	STAND ALONE	MASTER/SLAVE	MASTER SLAVE			Allow you to link and operating in synk multiple units without a DMX console. Choose a unit to perform as the Master. This unit must be the first unit in line; Set the successive units to be slave.
		EFFECTS	EFFECT 1 EFFECT 2 EFFECT 3 EFFECT 4 EFFECT 5	1 ÷ 100 1 ÷ 100 1 ÷ 100 1 ÷ 100 1 ÷ 100		To select the desired effect and speed.
		STATIC	TUNGTEN 1 TUNGTEN 2 STROBE	000 ÷ 255 000 ÷ 255 000 ÷ 255		To choose the desired level of each color in static mode.

10 - RDM FUNCTIONS

The product can communicate using RDM (Remote Device Management) protocol over a DMX512 Networks.

RDM is a bi-directional communications protocol for use in DMX512 control systems, it is the open standard for DMX512 device configuration and status monitoring.

The RDM protocol allows data packets to be inserted into a DMX512 data stream without affecting existing non-RDM equipment. It allows a console or dedicated RDM controller to send commands to and receive messages from specific fixtures.

The PIDs in the following tables are supported in the product.

Category	Parameter	PID	GET	SET
Supported Parameters	Curve	0x0343	x	x
	Curve Description	0x0344	x	
	Device Hours	0x0400	x	x
	Device Info	0x0060	x	
	Device Label	0x0082	x	x
	Device Model Description	0x0080	x	
	Device Power Cycles	0x0405	x	x
	Dimmer Information	0x0340	x	
	Discovery Mute	0x0002	x	
	Discovery Unique Branch	0x0001	x	x
	Discovery Un-Mute	0x0003	x	x
	Display Invert	0x0500	x	x
	DMX Personality	0x00E0	x	x
	DMX Personality Description	0x00E1	x	
	DMX Start Address	0x00F0	x	x
	Factory Defaults	0x0090	x	x
	Identify Device	0x1000	x	x
	Identify Mode	0x1040	x	x
	Lamp Hours	0x0401	x	x
	Lamp Mode	0x0404	x	x
	Lamp State	0x0403	x	x
	Lamp Strikes	0x0402	x	x
	Manufacturer Label	0x0081	x	
	Modulation Frequency	0x0347	x	
	Modulation Frequency Description	0x0348	x	x
	Output Response Time	0x0345	x	x
	Output Response Time Description	0x0346	x	
	Parameter Description	0x0051	x	x
	Product Detail ID List	0x0070	x	
	Sensor Definition	0x0200	x	
	Sensor Value	0x0201	x	
	Software Version Label	0x00C0	x	
Supported Parameters	0x0050	x		

Manufacturer Specific PID	0:BLACKOUT,1:HOLD,2:STANDALONE	0x82DD	x
	CLEAN ALL DATA 0:NO,1:YES	0x82C8	x
	CURRENT HOURS	0x82C5	x
	EFFECT	0x8209	x
	EFFECT_SPEED	0x8210	x
	INVERT MAPPING 0:OFF 1:ON	0x82E1	x
	MAINTENANCE TIME:ALERT PERIOD	0x82DF	x
	MAINTENANCE TIME:ELAPSED TIME	0x82E0	x
	MASTER/SLAVE 0:MASTER 1:SLAVE	0x8211	x
	STATIC STROBE	0x8208	x
	STATIC TUNGSTEN 1	0x82E2	x
	STATIC TUNGSTEN 2	0x82E3	x
	TUNGSTEN EMULATION 0:OFF 1:ON	0x82BC	x
	WHITE CALIBRATION-AMBER1	0x8228	x
	WHITE CALIBRATION-AMBER2	0x822D	x
	WHITE CALIBRATION-TUNGSTEN1	0x8226	x
	WHITE CALIBRATION-TUNGSTEN2	0x822C	x

11 - ERROR MESSAGES

ERROR SHOWED ON SCREEN	POSSIBLE CAUSES
[TEMPERATURE TOO HIGH]	This error message indicates that an overheating has occurred and the led has been switched OFF by the product protection system.
[MAINTENANCE TIME]	Need to be done standard maintenance and also reset of elapsed time.
[DMX ACTIVE]	If transfer configuration is used with dmx signal connected.

12 - DMX CHARTS

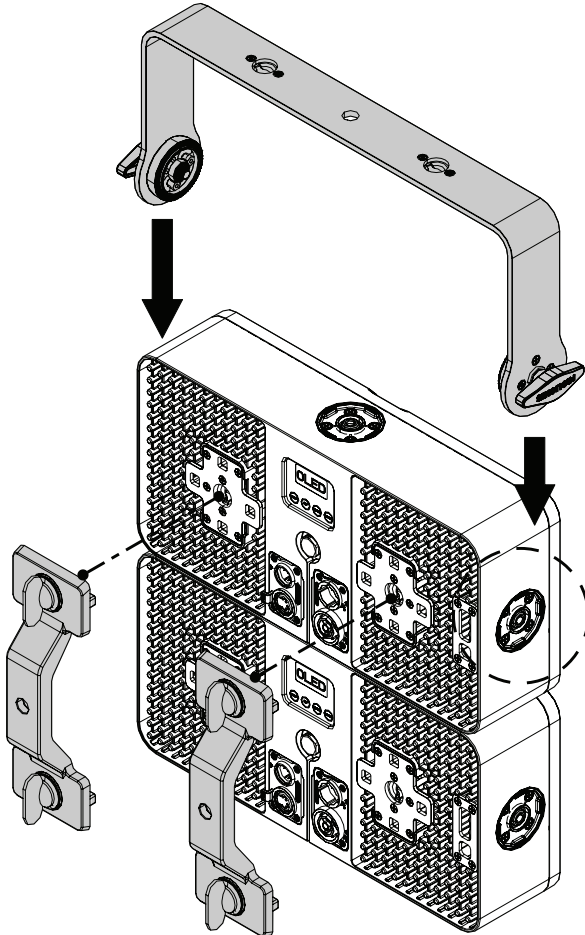
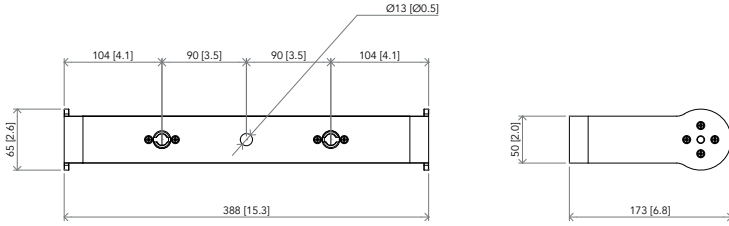
Channel	UNO	BASIC	STANDARD	EXTENDED
1	DIMMER	DIMMER 1	MASTER DIMMER	MASTER DIMMER
2		DIMMER 2	STROBE	MASTER DIMMER FINE
3			DIMMER SPEED	STROBE
4			TUNGSTEN EMULATION	DIMMER SPEED
5			DIMMER 1	TUNGSTEN EMULATION
6			DIMMER 2	DIMMER 1
7				DIMMER 1 FINE
8				DIMMER 2
9				DIMMER 2 FINE
10				EFFECT
11				EFFECT SPEED
12				FUNCTION

UNO	BASIC	STANDARD	EXTENDED	Function	DMX Value	Default
1				DIMMER	000 ÷ 255	000
	1			DIMMER 1	000 ÷ 255	000
	2			DIMMER 2	000 ÷ 255	000
		1	1	MASTER DIMMER	000 ÷ 255	000
			2	MASTER DIMMER FINE	000 ÷ 255	000
		2	3	STROBE Close Strobe from slow to fast Open Pulse in from slow to fast Open Pulse out from slow to fast Open Randon from slow to fast Open	000 ÷ 001 002 ÷ 062 063 ÷ 064 065 ÷ 125 126 ÷ 127 128 ÷ 188 189 ÷ 190 191 ÷ 251 252 ÷ 255	255
		3	4	DIMMER SPEED Preset dimmer speed from display menu Dimmer speed off Dimmer speed fast Dimmer speed medium Dimmer speed slow	000 ÷ 051 052 ÷ 101 102 ÷ 152 153 ÷ 203 204 ÷ 255	000
		4	5	TUNGSTEN EMULATION OFF ON	000 ÷ 127 128 ÷ 255	000
		5		DIMMER 1	000 ÷ 255	255
		6		DIMMER 2	000 ÷ 255	255
			6	DIMMER 1	000 ÷ 255	255
			7	DIMMER 1 FINE	000 ÷ 255	255
			8	DIMMER 2	000 ÷ 255	255
			9	DIMMER 2 FINE	000 ÷ 255	255
			10	EFFECT No function Effect 1 Effect 2 Effect 3 Effect 4 Effect 5	000 ÷ 045 046 ÷ 087 088 ÷ 129 130 ÷ 171 172 ÷ 213 214 ÷ 255	000

			11	EFFECT SPEED	000 ÷ 255	000
				FUNCTION		
				No function/safe	000 ÷ 001	
				Display on	002 ÷ 003	
				Display 10s	004 ÷ 005	
				Display 20s	006 ÷ 007	
				Display 30s	008 ÷ 009	
				Flip display on	010 ÷ 011	
				Flip display off	012 ÷ 013	
				Key lock on	014 ÷ 015	
				Key lock off	016 ÷ 017	
				Dimmer curve linear	018 ÷ 019	
				Dimmer curve s-curve	020 ÷ 021	
				Dimmer curve square law	022 ÷ 023	
				Dimmer curve inverse square law	024 ÷ 025	
				Dimmer speed auto	026 ÷ 027	
				Dimmer speed fast	028 ÷ 029	
				Dimmer speed medium	030 ÷ 031	
				Dimmer speed slow	032 ÷ 033	
				White calibration off	034 ÷ 035	
				White calibration manual	036 ÷ 037	
				Tungsten emulation on	038 ÷ 039	
		12		Tungsten emulation off	040 ÷ 041	000
				Led frequency 600hz	042 ÷ 043	
				Led frequency 1200hz	044 ÷ 045	
				Led frequency 2000hz	046 ÷ 047	
				Led frequency 4000hz	048 ÷ 049	
				Led frequency 6000hz	050 ÷ 051	
				Led frequency 25khz	052 ÷ 053	
				Dmx fault hold	054 ÷ 055	
				Dmx fault blackout	056 ÷ 057	
				Dmx fault stand alone	058 ÷ 059	
				Invert mapping on	060 ÷ 061	
				Invert mapping off	062 ÷ 063	
				Stand alone master	064 ÷ 065	
				Stand alone slave	066 ÷ 067	
				Stand alone effect 1	068 ÷ 069	
				Stand alone effect 2	070 ÷ 071	
				Stand alone effect 3	072 ÷ 073	
				Stand alone effect 4	074 ÷ 075	
				Stand alone effect 5	076 ÷ 077	
				Stand alone static	078 ÷ 079	
				Reserved	080 ÷ 253	
				Factory default of control functions	254 ÷ 255	

13 - ACCESSORIES INSTALLATION

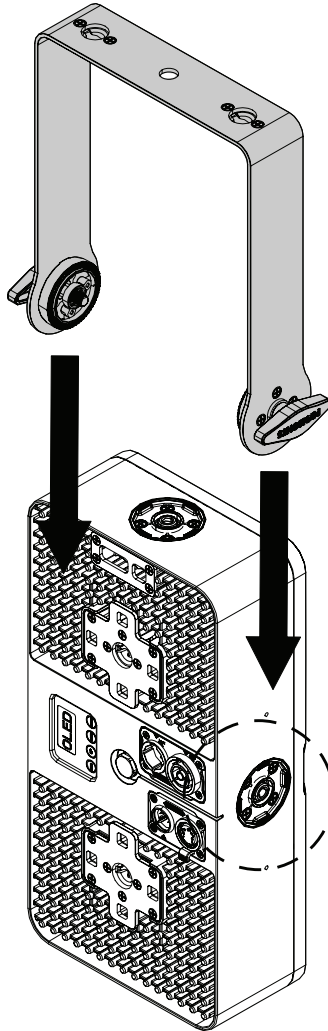
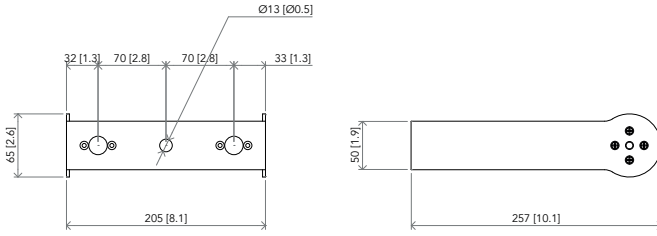
HANGING BRACKET (CODE SR2IPHB02H - INCLUDED)



1. Using the rear brackets SR2IPOS to connect the units.
2. Mount the hanging bracket and tighten the screws and the two knobs on the sides for the hanging of two units placed in horizontal position.

Fig.8

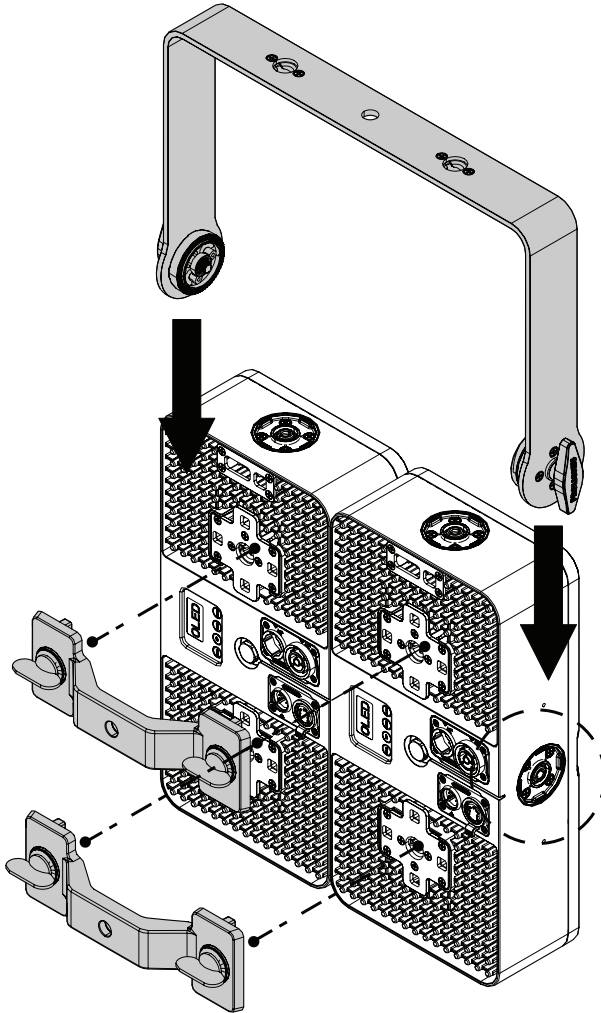
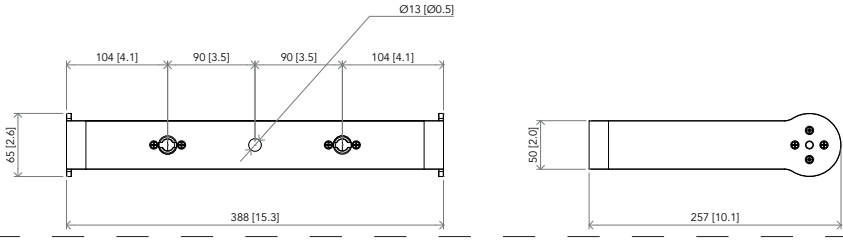
HANGING BRACKET (CODE SR2IPH01V - OPTIONAL)



Mount the hanging bracket and tighten the screws and the two knobs on the sides for the hanging a single unit placed in vertical position.

Fig.9

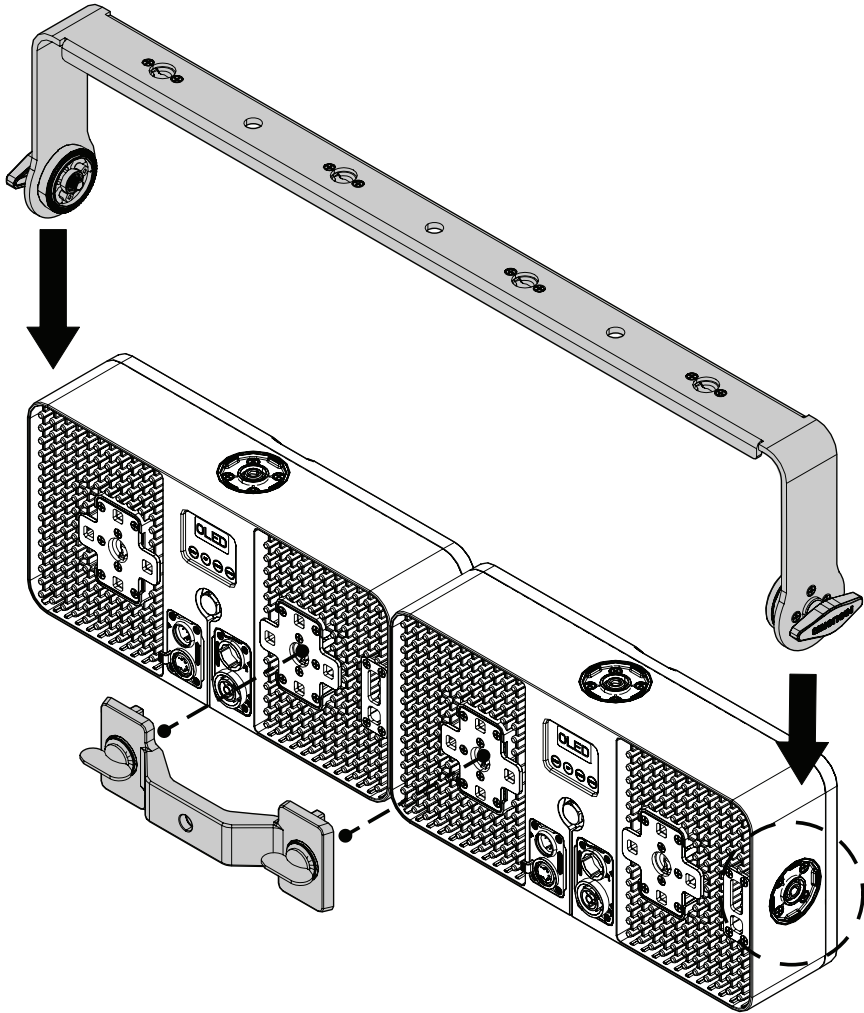
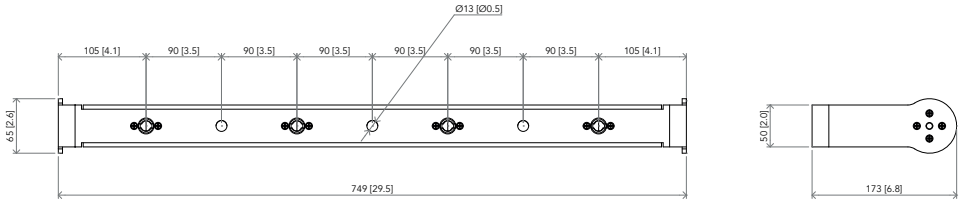
HANGING BRACKET (CODE SR2IPHB02V - OPTIONAL)



1. Using the rear brackets SR2IPOS to connect the units.
2. Mount the hanging bracket and tighten the screws and the two knobs on the sides for the hanging of two units placed in vertical position.

Fig.10

HANGING BRACKET (CODE SR2IPHB04H - OPTIONAL)



1. Using the rear bracket SR2IPOS to connect the units.
2. Mount the hanging bracket and tighten the screws and the two knobs on the sides for the hanging of two units placed in horizontal position.

Fig.11

14 - MAINTENANCE

MAINTENANCE AND CLEANING THE PRODUCT

WARNING: Disconnect from the mains before starting any maintenance work

It is recommended to clean the front at regular intervals, from impurities caused by dust, smoke, or other particles to ensure that the light is radiated at maximum brightness.

- For cleaning, disconnect the main plug from the socket. Use a soft, clean cloth moistened with a mild detergent. Then carefully wipe the part dry. For cleaning other housing parts use only a soft, clean cloth. Never use a liquid, it might penetrate the unit and cause damage to it.
- The user must clean the product periodically to maintain optimum performance and cooling. The user may also upload firmware (product software) to the fixture via the DMX signal input port or USB port using firmware and instructions from PROLIGHTS.
- The frequency of such maintenance operations is to be performed according to various factors, such as the amount of the use and the condition of the installation environment (air humidity, presence of dust, salinity, etc.). It is recommended that the product is subject to annual service by a qualified technician for special maintenance involving at least the following procedures:
 - General cleaning of internal parts.
 - For all the parts subject to friction, using lubricants specifically supplied by PROLIGHTS.
 - General visual check of the internal components, cabling, mechanical parts, etc.
 - Electrical, photometric and functional checks; eventual repairs.
 - Cleaning the lenses. Only use neutral soap and water to clean the lenses, then dry it carefully with a soft, non-abrasive cloth.

WARNING: the use of alcohol or any other detergent could damage the lenses.

- All other service operations on the product must be carried out by PROLIGHTS, its approved service agents or trained and qualified personnel.
- It is PROLIGHTS policy to apply the strictest possible calibration procedures and use the best quality materials available to ensure optimum performance and the longest possible component lifetimes. However, optical components are subject to wear and tear over the life of the product, resulting in gradual changes in colours over many thousands of hours of use. The extent of wear and tear depends heavily on operating conditions and environment, so it is impossible to specify precisely whether and to what extent performance will be affected. However, you may eventually need to replace optical components if their characteristics are affected by wear and tear after an extended period of use and if you require fixtures to perform within very precise optical and colour parameters.
- Do not apply filters, lenses or other materials on lenses or other optical components. Use only accessories approved by PROLIGHTS.

REPLACING THE FUSE

WARNING: Before replacing the fuse, unplug the product from the mains.

- Remove the old fuse from the housing with a suitable screwdriver (anticlockwise) and replace it with one of the same type and of the same classification (5*20 TBC-3.15A).

VISUAL CHECK OF PRODUCT HOUSING

- The parts of the product cover/housing should be checked for eventual damages and breaking start at least every two months. In addition, especially the parts of the front lens holder have to be checked mechanically (by means of movement by the part) if it is firmly fastened to the fixture. If hint of a crack is found on some plastic part, do not use the product until the damaged part will be replaced.
- Cracks or another damages of the cover/housing parts can be caused by the product transportation or manipulation and also ageing process may influence materials.
- This checking is necessary for both fixed installations and preparing product for renting. Any free moving parts inside of the product, cracked cover/housing or any part of front lens not sitting properly in place need to be immediately replaced.

TROUBLESHOOTING

Problems	Possible causes	Checks and remedies
Product doesn't power ON	<ul style="list-style-type: none"> No power to the product 	<ul style="list-style-type: none"> Check that power is switched ON and cables are plugged in.
	<ul style="list-style-type: none"> Fuse blown or internal fault 	<ul style="list-style-type: none"> Check if the Fuse is intact and eventually replace it if necessary. Contact the PROLIGHTS Service or authorized service partner. Do not remove parts and/or covers, or carry out any repairs or service that are not described in this Safety and User Manual unless you have both authorization from PROLIGHTS and the service documentation.
Product reset correctly but does not respond correctly to the controller.	<ul style="list-style-type: none"> Bad signal connection 	<ul style="list-style-type: none"> Inspect connections and cables. Fix eventual bad connections. Repair or replace damaged cables.
	<ul style="list-style-type: none"> Signal connection not terminated 	<ul style="list-style-type: none"> Insert DMX termination plug in signal output socket of the last product on the signal line.
	<ul style="list-style-type: none"> Incorrect addressing of the product 	<ul style="list-style-type: none"> Check the product address and control settings
	<ul style="list-style-type: none"> One of the product is defective and is corrupting the signal transmission on the signal line 	<ul style="list-style-type: none"> Unplug the XLR in and out connectors and connect them directly together to bypass one product at a time until normal operation is regained. Once found the error, have that fixture serviced by a qualified technician.
Timeout error after fixture reset.	<ul style="list-style-type: none"> One or more hardware components requires mechanical adjustments 	<ul style="list-style-type: none"> Check product stored error messages for more information. Contact PROLIGHTS Service or an authorized service partner.
Mechanical effect loses position	<ul style="list-style-type: none"> Mechanical hardware require cleaning, adjustment or lubrication 	<ul style="list-style-type: none"> Check product stored error messages for more information. Contact PROLIGHTS Service or an authorized service partner.
Light output turn OFF Intermittently	<ul style="list-style-type: none"> Fixture is too hot 	<ul style="list-style-type: none"> Check product stored error messages. Allow product to cool. Clean the product and airflow filters. Reduce ambient temperature.
	<ul style="list-style-type: none"> Hardware failure (temperature sensor, fans, Light source...) 	<ul style="list-style-type: none"> Check product stored error messages for more information. Contact PROLIGHTS Service or an authorized service partner.
General low light intensity	<ul style="list-style-type: none"> Dirty lens assembly Dirty or damaged filters 	<ul style="list-style-type: none"> Clean the fixture regularly. Install lens assembly properly.

Contact an authorized service center in case of technical problems or not reported in the table can not be resolved by the procedure given in the table.



PROLIGHTS is a trademark of
MUSIC & LIGHTS S.r.l.
musiclights.it

Via A.Olivetti snc
04026 - Minturno (LT) ITALY
Tel: +39 0771 72190

prolights.it
support@prolights.it