

FLYBAR FIXING BRACKETS

BAR 50/60 AND BAR 50 PU



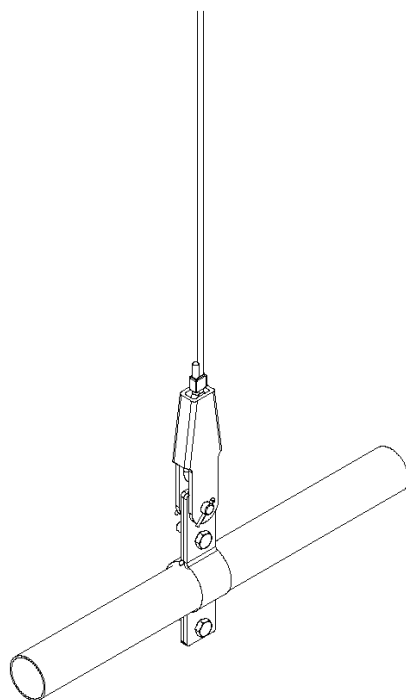
PARAMETERS

- Rated lifting load - 250 kg
- Diameter of the pipe used:
 - BAR50 – 48mm–51mm
 - BAR60 – 60mm
 - BAR50-PU – 48mm-51mm
- Self weight:
 - BAR50 – 0.45kg
 - BAR60 – 0.60kg
 - BAR50-PU – 0.65kg
- Steel wire used for BAR50-PU - D6mm
- Pulley material on BAR50-PU – black polyamide PA6
- CE certified

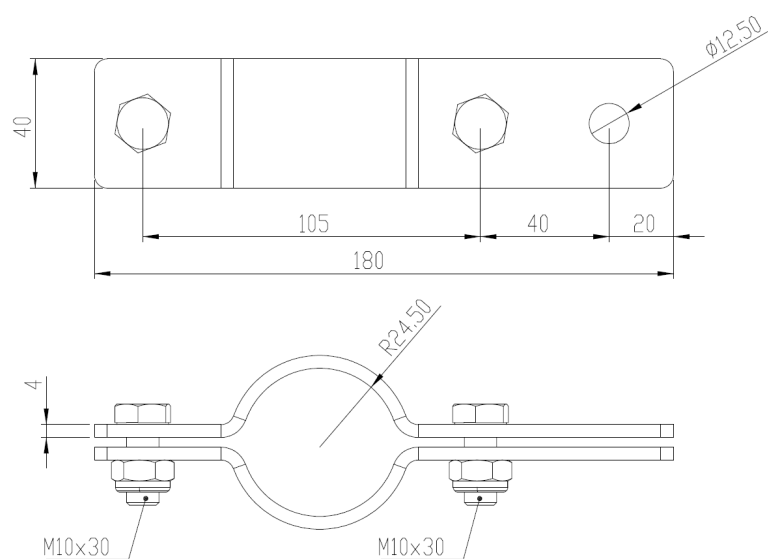


OPTIONS

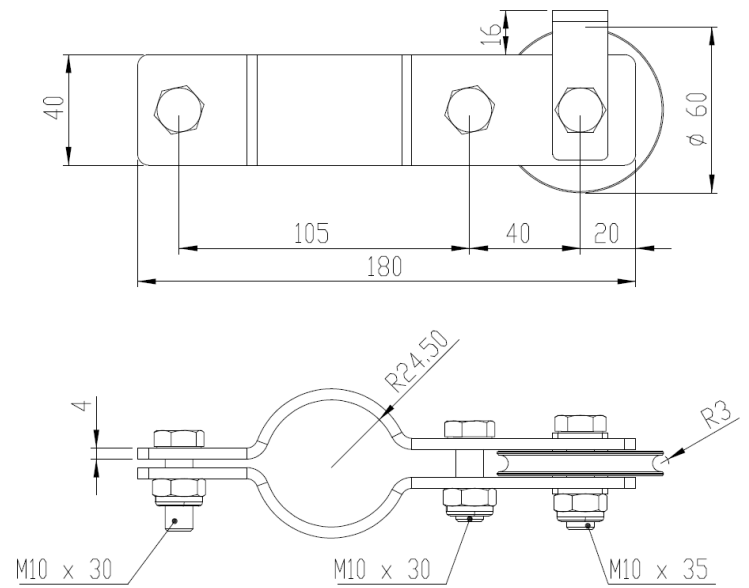
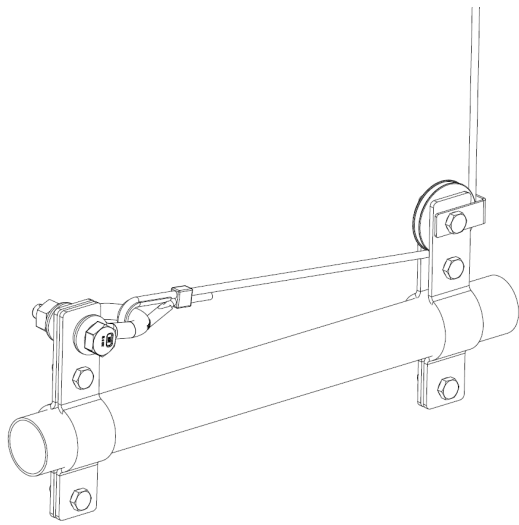
- Diameter of steel wire for BAR50-PU - 4, 5mm
- Aluminum pulley on BAR50-PU
- Different colour
- Different fixing hole diameter



BAR50



BAR50-PU



BAR60

