

TOURSLIDERS



THE REPUTABLE SCAN-RIG/PSRIG BRANDED CHAIN HOIST SLIDER

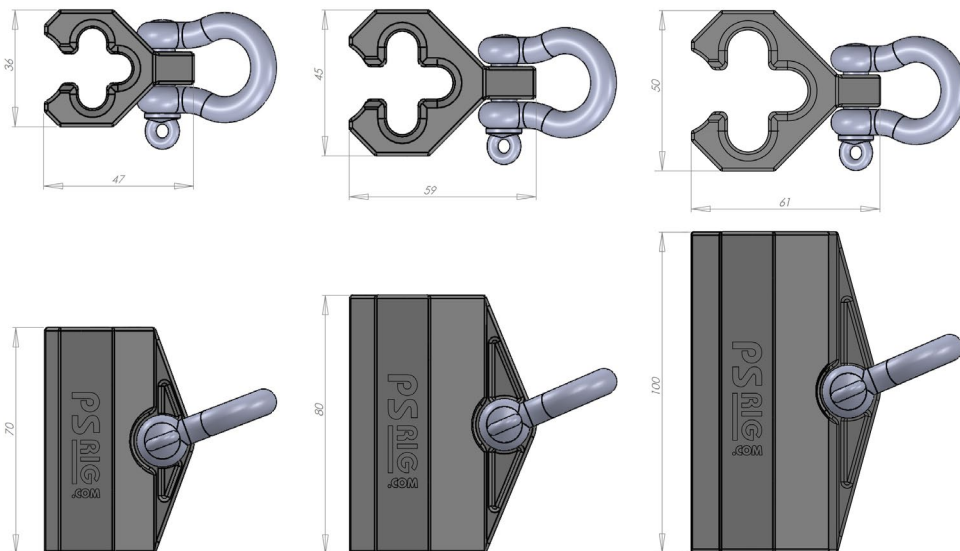
Our ingenious one-part design gives you simple, quiet and reliable cable management with electric chain hoists. This precisely fabricated piece slides easily onto a non-load bearing chain. The product comes in sizes M, L, and XL to accommodate the most commonly used hoists chains in the industry. To connect your cables simply use cable-ties or standard 0,5t shackles (sold separately).

The Tourslider sizes can be used for chains between:

500-244201
MEDIUM
6,1-7,2mm

500-244202
LARGE
7,9-9,0mm

500-244203
EXTRA LARGE
10-13mm



FEATURES

- Designed to guide cable looms along a lifting chain
- Works with industry standard hoists
- Tool-less assembly
- Made from low friction, low noise POM materials
- Sleek black color

