



PM Z6 Paging Microphone

User Manual



Order code: CRMIC08

WARNING

FOR YOUR OWN SAFETY, PLEASE READ THIS USER MANUAL CAREFULLY BEFORE YOUR INITIAL START-UP!

- Before your initial start-up, please make sure that there is no damage caused during transportation.
- Should there be any damage, consult your dealer and do not use the equipment.
- To maintain the equipment in good working condition and to ensure safe operation, it is necessary for the user to follow the safety instructions and warning notes written in this manual.
- Please note that damages caused by user modifications to this equipment are not subject to warranty.



CAUTION!
KEEP THIS EQUIPMENT
AWAY FROM RAIN,
MOISTURE AND LIQUIDS



CAUTION!
TAKE CARE USING
THIS EQUIPMENT!
HIGH VOLTAGE-RISK
OF ELECTRIC SHOCK!!

IMPORTANT:

The manufacturer will not accept liability for any resulting damages caused by the non-observance of this manual or any unauthorised modification to the equipment.

- Speaker & Amplifier systems can produce high sound pressure levels, please operate all controls with caution to ensure people are not exposed to excessive or dangerous sound pressure levels.
- Never let the power cable come into contact with other cables. Handle the power cable and all mains voltage connections with particular caution!
- Never remove warning or informative labels from the unit.
- Do not open the equipment and do not modify the unit.
- Do not switch the equipment on and off in short intervals, as this will reduce the system's life.
- Only use the equipment indoors.
- Do not expose to flammable sources, liquids or gases.
- Always disconnect the power from the mains when equipment is not in use or before cleaning! Only handle the power-cable by the plug. Never pull out the plug by pulling the power-cable.
- Make sure that the available voltage is 24V DC.
- Make sure that the power cable is never crimped or damaged. Check the equipment and the power cable periodically.
- If the equipment is dropped or damaged, disconnect the mains power supply immediately and have a qualified engineer inspect the equipment before operating again.
- If the equipment has been exposed to drastic temperature fluctuation (e.g. after transportation), do not connect power or switch it on immediately. The arising condensation might damage the equipment. Leave the equipment switched off until it has reached room temperature.
- If your product fails to function correctly, stop use immediately. Pack the unit securely (preferably in the original packing material), and return it to your Prolight dealer for service.
- Only use fuses of same type and rating.
- Repairs, servicing and power connection must only be carried out by a qualified technician. THIS UNIT CONTAINS NO USER SERVICEABLE PARTS.
- WARRANTY: Three years from date of purchase.

OPERATING DETERMINATIONS

If this equipment is operated in any other way, than those described in this manual, the product may suffer damage and the warranty becomes void. Incorrect operation may lead to danger e.g: short-circuit, burns and electric shocks etc.

Do not endanger your own safety and the safety of others!

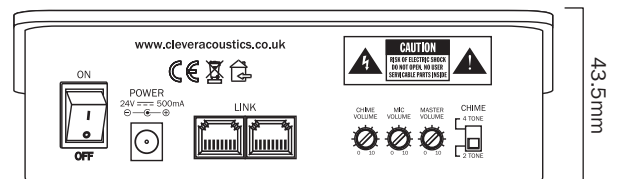
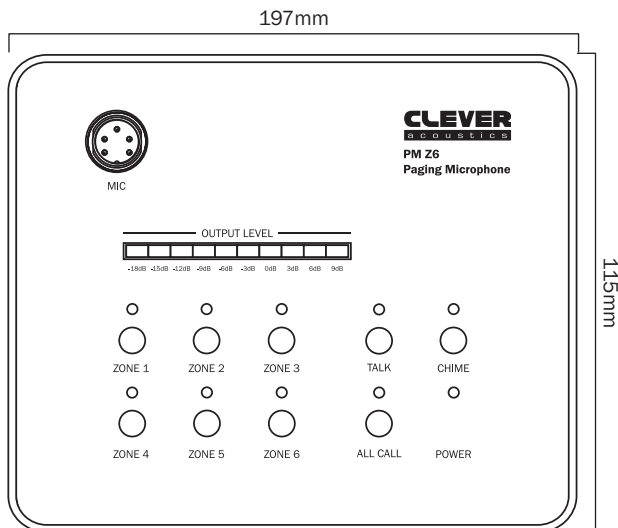
Incorrect installation or use can cause serious damage to people and/or property.

PM Z6 Paging Microphone

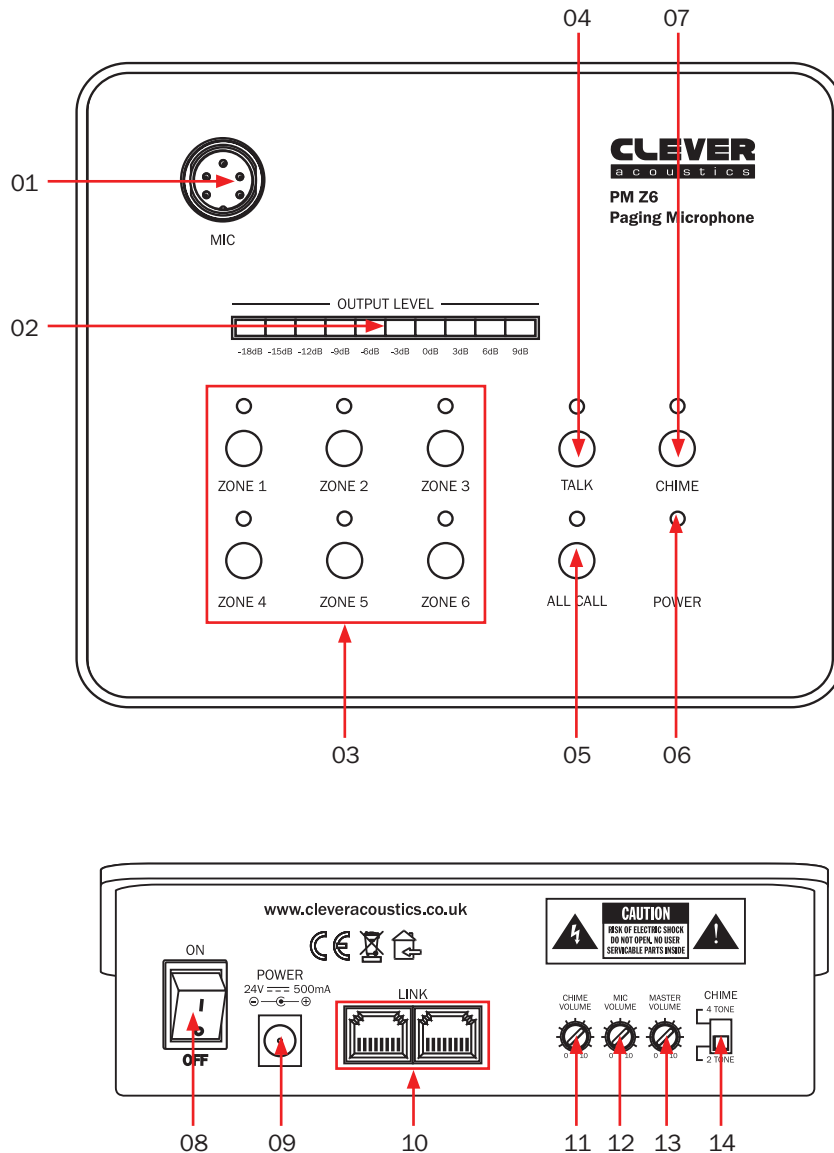
A dedicated paging microphone for the MA Z6 series mixer amplifiers offering remote paging and chime triggering. Featuring a high quality condenser microphone element for clear audio and the highest intelligibility. The PM Z6 may be powered directly from the MA Z6 series amplifiers, or for longer cable runs (50m+) the microphone may be powered by the supplied 24V DC mains adaptor. In large installations, up to six PM Z6 microphones may be cascaded to allow paging from different locations.

- Condenser microphone element
- Highest priority for system wide announcements
- Buttons for TALK and CHIME
- 10 segment LED VU meter
- Microphone volume control
- Powered by the amplifier when connected to 50m of cable or less
- Power ON/OFF switch

Specifications	PM Z6
Power supply	24V DC (adaptor supplied)
Impedance	680Ω
Frequency response	50Hz-18kHz
Dimensions	43.5 x 197 x 115mm
Weight	0.96kg
Order code	CRMIC08



Panel Layout Identification:



- | | | |
|--|--------------------------|------------------------------|
| 01 - 5-pin Microphone Connector | 06 - Power Indicator LED | 11 - Chime Gain Control |
| 02 - 10 Segment Output Level Indicator | 07 - Chime Button | 12 - Microphone Gain Control |
| 03 - Zone Selection Buttons | 08 - Power Switch | 13 - Master Volume Control |
| 04 - Talk Button | 09 - 24V DC Power Input | 14 - Chime Tone Selector |
| 05 - All Call Button | 10 - RS-485 Interface | |

Front Panel Identification & Operation:**1. 5-pin Microphone Connector**

The PM Z6 is supplied with a dedicated gooseneck, condenser microphone. Plug the microphone into the 5-pin connector on the paging console ensuring correct orientation. Once inserted, the outer lock ring should be tightened.

2. 10 Segment Output Level Indicator

The paging console features a 10 segment LED VU indicator allowing the user to see a visual indication of the output when paging or using the chime functions. Should the VU meter show amber or red LEDs, the gain controls on the rear panel should be adjusted to reduce the output.

3. Zone Selection Buttons

To allow paging or chime to a custom selection of zones, the paging console features six buttons, one for each of the zone outputs on the amplifier. Press to select the desired zone. Confirmation of the selection can be seen by the LED indicator next to the button illuminating. The zone selection should be made prior to pressing the TALK button.

Zone Memory Function - If the PM Z6 is powered off with a group of zones selected the PM Z6 will remember this setting when powered back on.

4. Talk Button

After selecting the required zones either using the individual zone selection buttons or using the All Call button, the TALK button must be pressed to activate the microphone. The ring around the microphone will illuminate green when the microphone is active or red when the microphone is muted. After 60 seconds, if no audio is detected, the paging console will mute the microphone automatically.

5. All Call Button

If the user has the requirement to page to all zones, the all call button will activate all zones ready for paging or chime. The ALL CALL selection should be made prior to pressing the TALK button. When the ALL CALL is cancelled (by pressing the ALL CALL button a second time) the PM Z6 will revert to the zone selection set prior to using the ALL CALL.

6. Power Indicator LED

When the paging console is powered on, the power indicator will illuminate blue.

7. Chime Button

The paging console has two built in chimes tones. To activate the chime function, press the CHIME button and the LED indicator will illuminate amber. When the TALK button is pressed, the chime will sound.

8. Power Switch

On/Off control for the paging console.

9. 24V DC Power Input

The paging console may be powered directly from the amplifier when the cable length is 40m or less and high quality CAT5E cable is used. Should the cable length be over 40m, the supplied external mains adaptor may be used to power the paging console.

10. RS-485 Interface

The paging console operates via RS-485 control protocol over standard CAT5E cabling. Both the amplifier and paging microphones feature two RJ45 sockets to allow for up to 6 microphones to be used per system. Details of how to configure a multiple microphone system are included on the following pages in this user manual.

11. Chime Gain Control

The chime function features variable gain to allow the user to set their desired output level. Turn the level control anti clockwise to the lowest setting, or turn clockwise to adjust to the highest setting. Adjustments should be made gradually to avoid any sudden changes to the audio output. If the audio source appears to sound distorted, a reduction in gain may be required.

12. Microphone Gain Control

The microphone features variable gain to allow the user to set their desired output level. Turn the level control anti clockwise to the lowest setting, or turn clockwise to adjust to the highest setting. Adjustments should be made gradually to avoid any sudden changes to the audio output and avoid any potential feedback. If the audio source appears to sound distorted or there is audio feedback (howl around), a reduction in gain may be required.

13. Master Volume Control

The paging console features a master volume control to allow the user to set their desired, overall output level for the microphone and chime functions. Turn the level control anti clockwise to the lowest setting, or turn clockwise to adjust to the highest setting. Adjustments should be made gradually to avoid any sudden changes to the audio output and avoid any potential feedback. If the audio source appears to sound distorted or there is audio feedback (howl around), a reduction in gain may be required.

14. Chime Tone Selector

The chime function may be set to either 2 tone or 4 tone chime. The tone must be preset during initial setup before powering on the paging console.

Operation:**System Connection:**

The Z6 Series amplifiers and paging microphones use RS-485 over CAT5 for audio and control. The system should be cabled and connected using point to point CAT5, this should not be connected in any manner to IP based cable network infrastructure.

Cables should be straight wired to either EIA/TIA 568A or EIA/TIA 568B, do not use crossover cables or mix wiring standards.

Avoid running signal/data cables in the close vicinity of any power cables to prevent data errors.

Power On/Off Procedure

Prior to making any connection to the mains power or audio inputs/outputs, turn all level controls counter clockwise to the “min” position and all tone (equaliser) controls to the mid (zero) point. Deselect all monitor and zone selection controls.

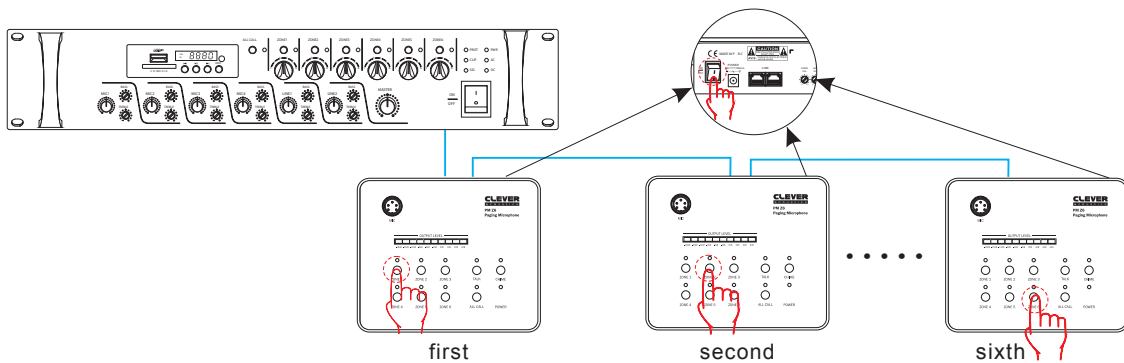
Switch on the paging console ahead of powering on the zone amplifier and any audio sources (MP3 players, CD players, Microphones etc) before powering the systems amplifier ON. The last product to be switched on should be the power/slave amplifiers to prevent any unwanted noise or potential damage to speakers or amplifiers.

Priority Queue

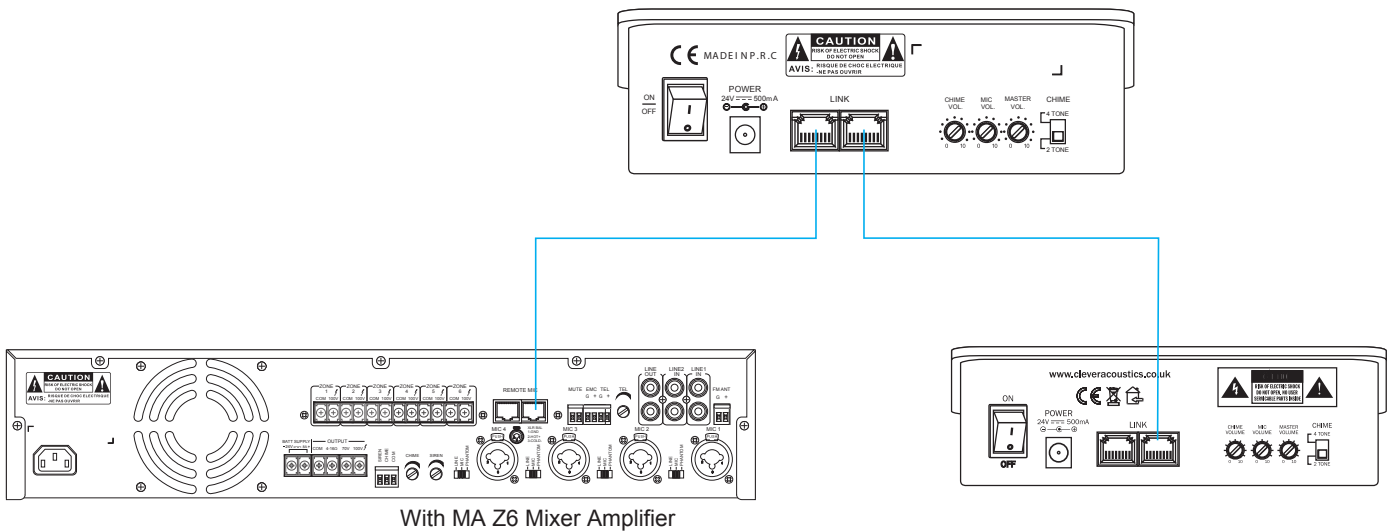
When used as part of a multiple microphone system, the paging consoles operate a priority system to avoid multiple active microphones on the same system. If the user attempts to page from a console while another paging console is active, the inactive console’s microphone ring will flash red. The paging console will then enter a queuing system and once the second paging console has completed paging, the flashing microphone ring will turn green automatically ready for paging.

Multiple Microphone Configuration

The Z6 series amplifiers can support up to 6 paging consoles per system. For the paging consoles to operate correctly each paging console must be assigned a unique ID on the system chain. To assign an ID, first ensure the paging console is powered off. While the paging console is powered off, press and hold one of the six zone buttons and then power on the paging console. The LED indicator next to the selected zone will flash rapidly before illuminating constantly. This will confirm the ID number of the paging console. Repeat the process for each paging console, ensuring each paging console on the system is allocated a different ID.



Typical Panel Connections:





***Correct Disposal of this Product
(Waste Electrical & Electronic Equipment)***

**(Applicable in the European Union and other European countries
with separate collection systems)**

This marking shown on the product or its literature, indicates that it should not be disposed with other household wastes at the end of its working life. To prevent possible harm to the environment or human health from uncontrolled waste disposal, please separate this from other types of wastes and recycle it responsibly to promote the sustainable reuse of material resources.

Household users should contact either the retailer where they purchased this product, or their local government office, for details of where and how they can take this item for environmentally safe recycling.

Business users should contact their supplier and check the terms and conditions of the purchase contract. This product should not be mixed with other commercial wastes for disposal.



CLEVER
a c o u s t i c s