

LEDJ

Artisan 2000 Dual White Fresnel User Manual



Order code: LEDJ332

WARNING

FOR YOUR OWN SAFETY, PLEASE READ THIS USER MANUAL CAREFULLY BEFORE YOUR INITIAL START-UP!

- Before your initial start-up, please make sure that there is no damage caused during transportation.
- Should there be any damage, consult your dealer and do not use the equipment.
- To maintain the equipment in good working condition and to ensure safe operation, it is necessary for the user to follow the safety instructions and warning notes written in this manual.
- Please note that damages caused by user modifications to this equipment are not subject to warranty.



IMPORTANT:

The manufacturer will not accept liability for any resulting damages caused by the non-observance of this manual or any unauthorised modification to the equipment.

- Never let the power cable come into contact with other cables. Handle the power cable and all mains voltage connections with particular caution!
- Never remove warning or informative labels from the unit.
- Do not open the equipment and do not modify the unit.
- Do not connect this equipment to a dimmer pack.
- Do not switch the equipment on and off in short intervals, as this will reduce the system's life.
- Only use the equipment indoors.
- Do not expose to flammable sources, liquids or gases.
- Always disconnect the power from the mains when equipment is not in use or before cleaning! Only handle the power-cable by the plug. Never pull out the plug by pulling the power-cable.
- Make sure that the available mains supply voltage is between 100~240V AC, 50/60Hz.
- Make sure that the power cable is never crimped or damaged. Check the equipment and the power cable periodically.
- If the equipment is dropped or damaged, disconnect the mains power supply immediately and have a qualified engineer inspect the equipment before operating again.
- If the equipment has been exposed to drastic temperature fluctuation (e.g. after transportation), do not connect power or switch it on immediately. The arising condensation might damage the equipment. Leave the equipment switched off until it has reached room temperature.
- If your product fails to function correctly, stop use immediately. Pack the unit securely (preferably in the original packing material), and return it to your Pro Light dealer for service.
- Only use fuses of same type and rating.
- Repairs, servicing and power connection must only be carried out by a qualified technician. THIS UNIT CONTAINS NO USER SERVICEABLE PARTS.
- This lighting fixture is for professional use only - it is not designed for or suitable for household use. The product must be installed by a qualified technician in accordance with local territory regulations. The safety of the installation is the responsibility of the installer. The fixture presents risks of severe injury or death due to fire hazards, electric shock and falls.
- Warning! Risk Group 2 LED product according to EN 62471. Do not view the light output with optical instruments or any device that may concentrate the beam.
- WARRANTY: One year from date of purchase.

OPERATING DETERMINATIONS

If this equipment is operated in any other way, than those described in this manual, the product may suffer damage and the warranty becomes void. Incorrect operation may lead to danger e.g: short-circuit, burns and electric shocks etc.

Do not endanger your own safety and the safety of others!

Incorrect installation or use can cause serious damage to people and/or property.

Artisan 2000 Dual White Fresnel

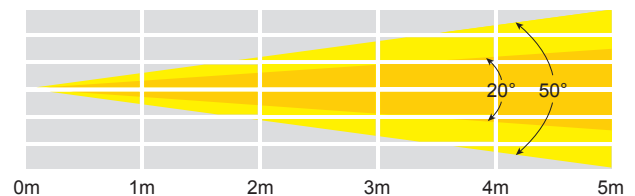
The Artisan 2000 Dual White Fresnel is ideal for schools, churches and stages and makes an ideal replacement for tungsten fixtures. Control of the unit is facilitated via a 4 button menu and LCD display, whilst the beam angle can be manually adjusted. A handy IR remote control is included and an optional W-DMX Compatible Transceiver can be added into the back panel.

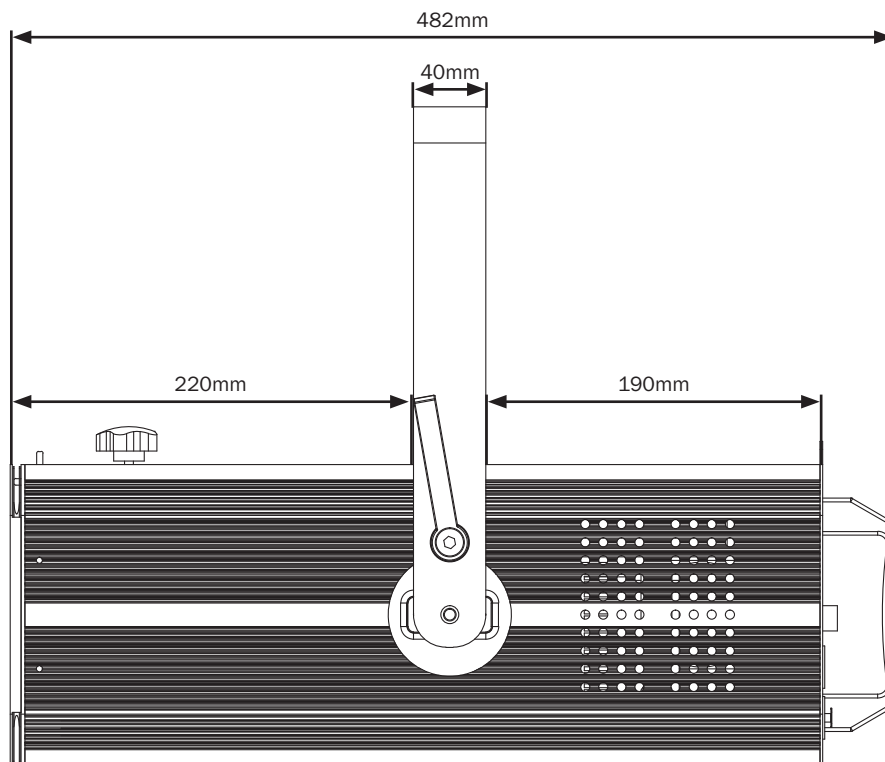
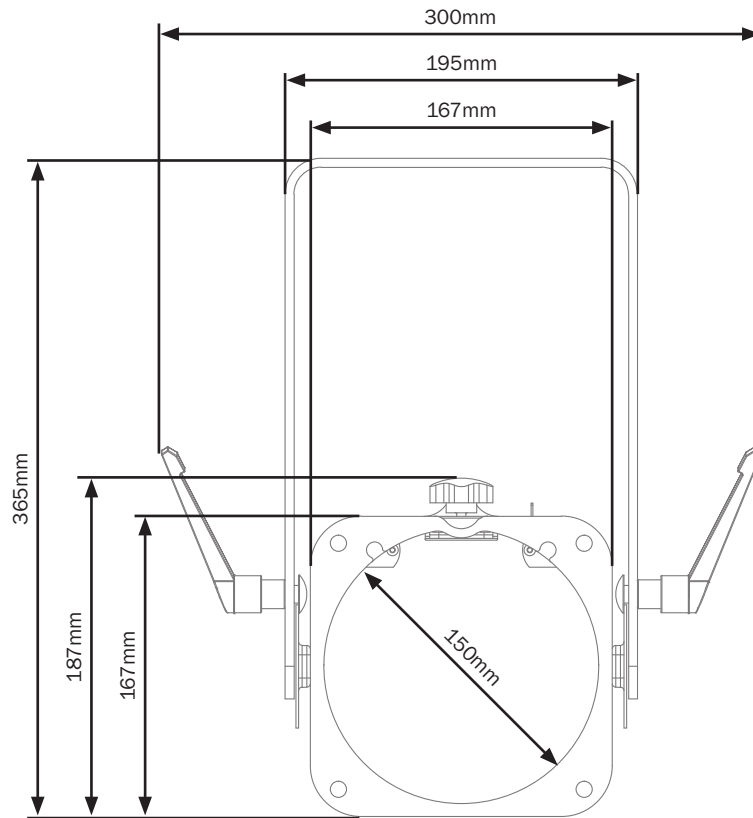


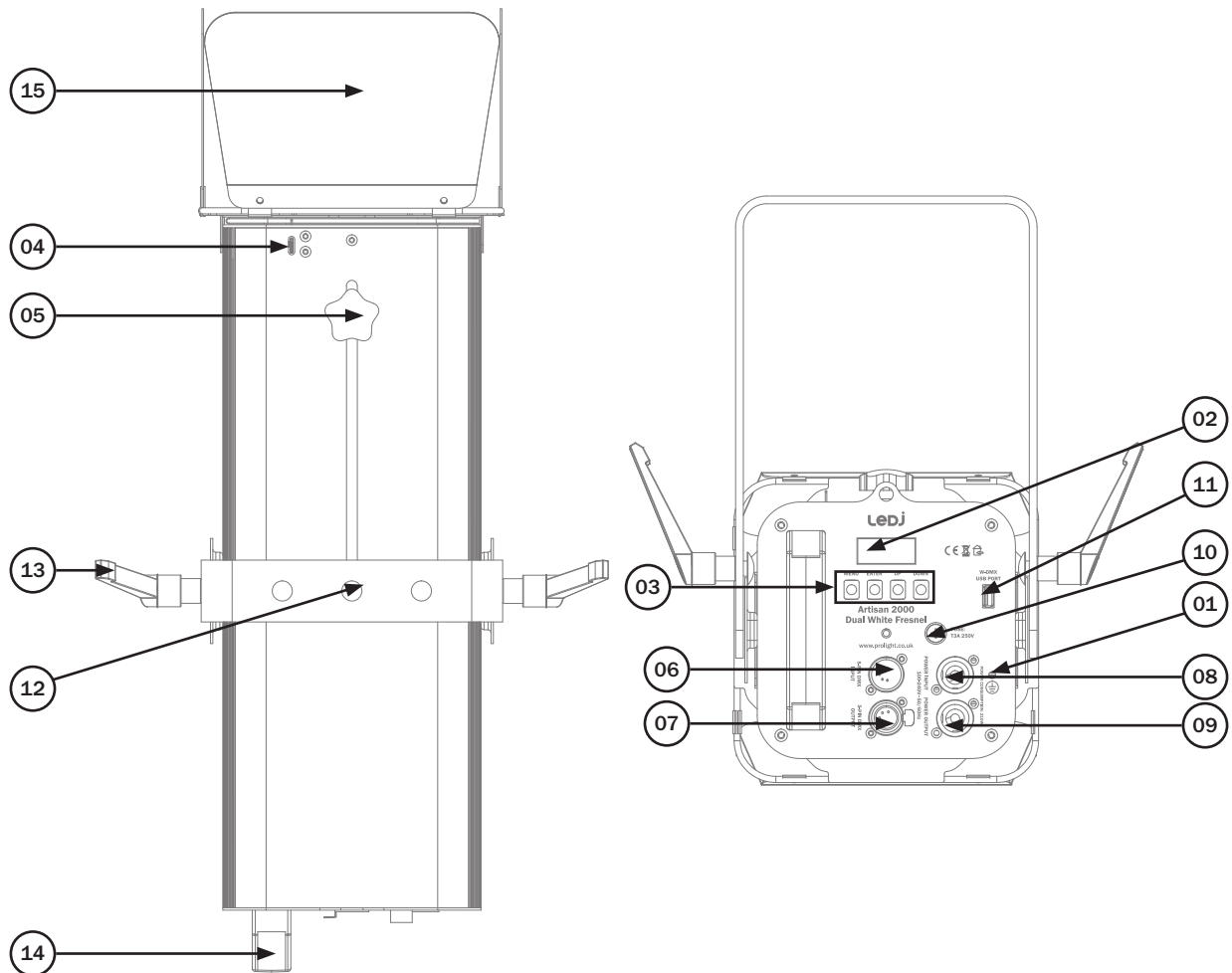
- 1 x 200W cool white and warm white COB LED (CW/WW)
- Manually adjustable beam angle: 20° - 50°
- 20° - 11,482 Lux @ 2m (full on),
50° - 3,394 Lux @ 2m (full on)
- CRI: CW - 94, WW - 98
- 2.8kHz refresh rate
- DMX channels: 1/2/3/4 or 5 selectable
- Artisan Series W-DMX USB compatibility for wireless master/slave or DMX control
- 4 dimming curves: Linear, square law, inverse square law and S-curve
- 4 push button menu with LCD display
- PowerCON input/output
- 5-Pin XLR input/output
- Temperature controlled fan for whisper quiet operation
- Handle on rear panel
- Filter frame and barn doors included
- Supplied with IR remote

Specifications	Artisan 2000 Dual White Fresnel
Power consumption	210W
Power supply	100~240V, 50/60Hz
Fuse	T3A 250V
Dimensions	365 x 300 x 482mm
Weight	6.1kg
Order code	LEDJ332

20° - Lux					
FULL ON	45928	11482	5103	2870	1837
CW	27136	6784	3015	1696	1085
WW	21496	5374	2388	1343	859
50° - Lux					
FULL ON	13576	3394	1508	848	543
CW	8656	2164	961	541	346
WW	6732	1683	748	420	269



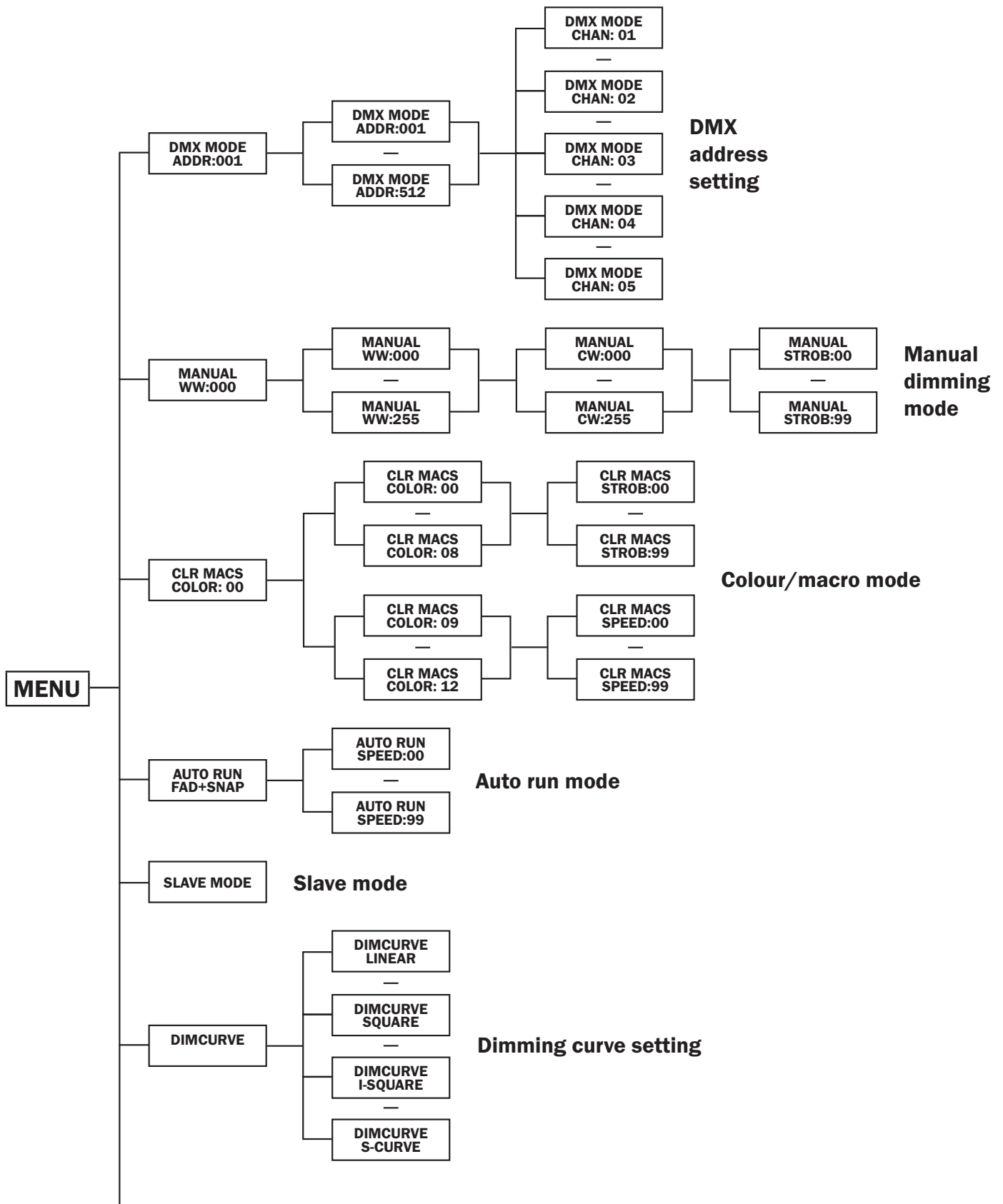


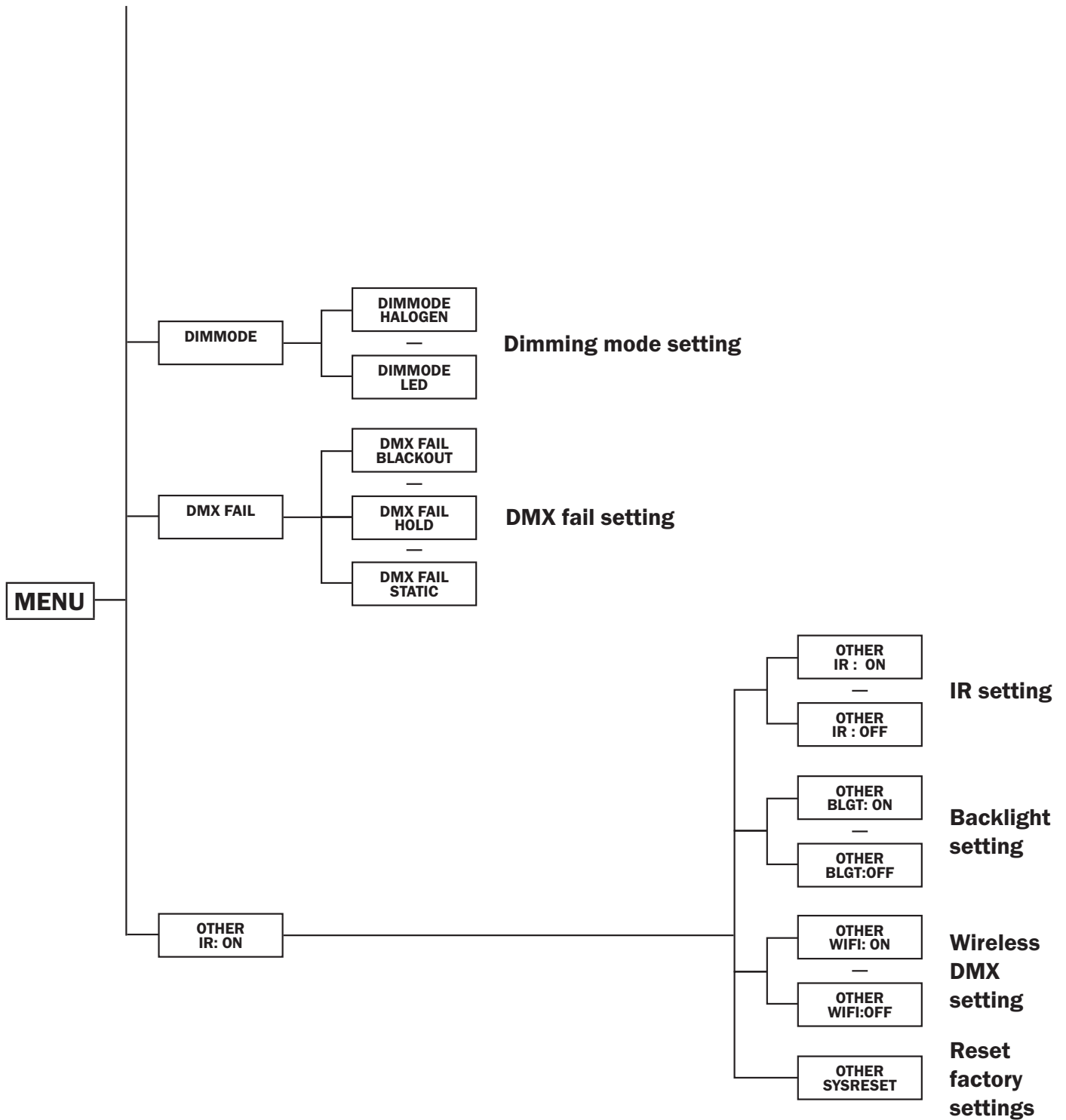


- 01 - Earth point
- 02 - LCD display
- 03 - Function buttons
- 04 - Colour frame release mechanism
- 05 - Zoom adjustment
- 06 - 5-Pin DMX input
- 07 - 5-Pin DMX output
- 08 - PowerCON input

- 09 - PowerCON output
- 10 - Fuse: T3A 250V
- 11 - Wireless DMX USB input
- 12 - Hanging bracket
- 13 - Hanging bracket adjustable knob
- 14 - Carry handle
- 15 - Barn doors

In the box: **1 x fixture,**
1 x barn doors,
1 x IR remote,
1 x power cable
& 1 x user manual





DMX mode:

Operating in a DMX control mode environment gives the user the greatest flexibility when it comes to customising or creating a show. In this mode you will be able to control each individual trait of the fixture and each fixture independently.

To access the DMX address mode, press the “**MENU**” button to show “**DMX MODE ADDR**” on the LCD display. Now use the “**UP**” and “**DOWN**” buttons to set the required DMX address. Press the “**ENTER**” button to show “**DMX MODE CHAN**” on the LCD display and use the “**UP**” and “**DOWN**” buttons to select the required the DMX channel (1/2/3/4 or 5 selectable). Press the “**ENTER**” button to confirm the setting. To exit out of any of the above options, press the “**MENU**” button.

1 channel mode:

Channel	Value	Function
1	000	No function
	001-255	Variable white (3200K-6400K linear)

2 channel mode:

Channel	Value	Function
1	000-255	Warm white dimmer (0-100%)
2	000-255	Cool white dimmer (0-100%)

3 channel mode:

Channel	Value	Function
1	000-255	Warm white dimmer (0-100%)
2	000-255	Cool white dimmer (0-100%)
3	000-255	Master dimmer (0-100%)

4 channel mode:

Channel	Value	Function
1	000-255	Warm white dimmer (0-100%)
2	000-255	Cool white dimmer (0-100%)
3	000	No function
	001-255	Variable white (3200K-6400K linear)
4	000-255	Master dimmer (0-100%)

5 channel mode:

Channel	Value	Function
1	000-255	Warm white dimmer (0-100%)
2	000-255	Cool white dimmer (0-100%)
3	000	No function
	001-255	Variable white (3200K-6400K linear)
4	000-004	No function
	005-255	Strobe (slow-fast)
5	000-255	Master dimmer (0-100%)

Manual dimming mode:

To access the manual dimming mode press the “**MENU**” button until the display shows “**MANUAL WW**” on the LCD display. Use the “**UP**” and “**DOWN**” buttons to select the required brightness of warm white from “**000**” ~ “**255**”. Press the “**ENTER**” button and then use the “**UP**” and “**DOWN**” buttons to select the required brightness of cool white from “**000**” ~ “**255**”. Now press the “**ENTER**” button and then use the “**UP**” and “**DOWN**” buttons to select the strobe speed from “**00**” ~ “**99**”. Press the “**ENTER**” button to confirm the setting.

Value: 000 - 255 (000 = LED off, 255 = high brightness)

Value: 00 - 99 (00 = no strobe, 99 = fast strobe speed)

To exit out of any of the above options, press the “**MENU**” button.

Colour/macro mode:

To access the colour mode, press “**MENU**” until the display shows “**CLR MACS**” on the LCD display. Use the “**UP**” and “**DOWN**” buttons to select the required colour/macro speed from “**COLOR: 00**” ~ “**COLOR: 08**”/“**MACRO: 09**” ~ “**MACRO: 12**”.

When a colour has been selected, press the “**ENTER**” button and then use the “**UP**” and “**DOWN**” buttons to select the strobe speed from “**00**” ~ “**99**”. Press the “**ENTER**” button to confirm the setting.

When a macro has been selected, press the “**ENTER**” button and then use the “**UP**” and “**DOWN**” buttons to select the speed from “**00**” ~ “**99**”. Press the “**ENTER**” button to confirm the setting.

Value: 00 - 99 (00 = no strobe, 99 = fast strobe speed)

Value: 00 - 99 (00 = slow speed, 99 = fast speed)

To exit out of any of the above options, press the “**MENU**” button.

Auto run mode:

To access the auto run mode, press “**MENU**” until the display shows “**AUTO RUN**” on the LCD display. Use the “**UP**” and “**DOWN**” buttons to select the required speed from “**00**” ~ “**99**”.

Press the “**ENTER**” button to confirm the setting.

Value: 00 - 99 (00 = slow speed, 99 = fast speed)

To exit out of any of the above options, press the “**MENU**” button.

Master/slave mode:

To set the master unit, press the “**MENU**” button on the master unit to select either the manual mode, colour/macro mode or auto run mode.

To set the other units in slave mode, press the “**MENU**” button on the slave unit to show “**SLAVE MODE**”. Press the “**ENTER**” button to confirm the setting.

To exit out of any of the above options, press the “**MENU**” button.

Please ensure that all slave units are set to the same DMX channel mode as the master unit.

Dimming curves:

To access the fixtures dimming curves, press the “**MENU**” button to show “**DIMCURVE**” on the LCD display. Now use the “**UP**” and “**DOWN**” buttons on the rear of the unit to select between “**LINEAR**”, “**SQUARE**”, “**I-SQUARE**” and “**S-CURVE**”. Press the “**ENTER**” button to confirm the setting.

To exit out of any of the above options, press the “**MENU**” button.

Dimming mode:

To access the fixtures dimming mode, press the “**MENU**” button to show “**DIMMODE**” on the LCD display. Now use the “**UP**” and “**DOWN**” buttons on the rear of the unit to select between “**HALOGEN**” and “**LED**”. Press the “**ENTER**” button to confirm the setting.

To exit out of any of the above options, press the “**MENU**” button.

DMX fail setting:

To access the fixtures DMX fail setting, press the “**MENU**” button to show “**DMX FAIL**” on the LCD display. Now use the “**UP**” and “**DOWN**” buttons on the rear of the unit to select between “**BLACKOUT**”, (blacks out the fixture when signal is lost) “**HOLD**” (holds last DMX command) and “**STATIC**” (manual mode). Press the “**ENTER**” button to confirm the setting.

To exit out of any of the above options, press the “**MENU**” button.

IR setting:

To access the units IR setting, press “**MENU**” to show “**OTHER BLGT**” on the LCD display. Press the “**ENTER**” button to show “**OTHER IR**” on the LCD display and use the “**UP**” and “**DOWN**” buttons to select the between “**ON**” (IR receiver on) and “**OFF**” (IR receiver off).

Press the “**ENTER**” button to confirm the setting.

To exit out of any of the above options, press the “**MENU**” button.

Backlight setting:

To access the units backlight setting, press “**MENU**” to show “**OTHER BLGT**” on the LCD display. Use the “**UP**” and “**DOWN**” buttons to select the between “**ON**” (backlight on) and “**OFF**” (backlight goes off after 20 seconds). Press the “**ENTER**” button to confirm the setting.

To exit out of any of the above options, press the “**MENU**” button.

Wireless DMX setting:

To access the units Wireless DMX setting, press “**MENU**” to show “**OTHER WIFI**” on the LCD display. Use the “**UP**” and “**DOWN**” buttons to select the between “**ON**” and “**OFF**”.

Press the “**ENTER**” button to confirm the setting.

To exit out of any of the above options, press the “**MENU**” button.

Reset factory settings:

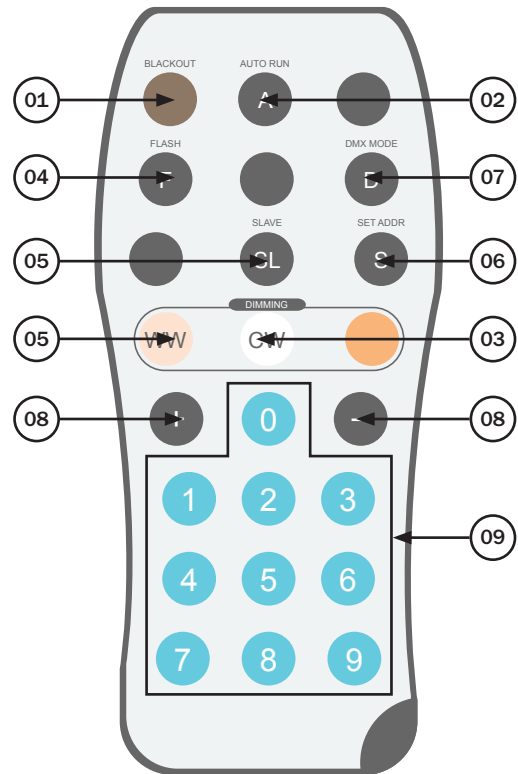
To reset the unit back to its factory settings, press “**MENU**” to show “**OTHER BLGT**” on the LCD display. Press the “**ENTER**” button twice to show “**SYSRESET**” on the LCD display. Press both the “**UP**” and “**DOWN**” buttons together and the unit will reset to factory settings.

Press the “**ENTER**” button to confirm the setting.

To exit out of any of the above options, press the “**MENU**” button.

IR remote functions:

- 01 - Sets the unit into blackout off/on (LED on/off).
- 02 - Runs the fade in/out mode, use the '+' and '-' buttons to adjust the program speed.
- 03 - Runs the manual dimming mode. Press either of these buttons followed by the '+' and '-' buttons to adjust brightness (000-255).
Press the Flash button followed by the '+' and '-' buttons to adjust the flash speed.
- 04 - Sets the flash speed in manual dimming mode. Press this button followed by the '+' and '-' buttons to adjust the flash speed.
- 05 - Sets the unit in slave mode.
- 06 - Sets the DMX address. Press this button followed by the '+' and '-'/number buttons to adjust the DMX address.
- 07 - Sets the DMX address, channel and dimming curve.
When in DMX address mode press this button followed by the '+' and '-'/number buttons to adjust the DMX address.
When in DMX channel mode press this button followed by the '+' and '-' buttons to select the required DMX channel mode.
When in dimming curve mode press this button followed by the '+' and '-' buttons to select the dimming curve required (see page 6 for dimming curves).
- 08 - Adjusts the auto run speed, flash speed, manual dimming brightness, DMX address, DMX channel and dimmer curves.
- 09 - Number buttons to be used when setting the DMX address.



Wireless operation:

To operate the fixture wirelessly you will need to plug in the Artisan Series W-DMX Compatible Transceiver (sold separately) into the USB port on the rear of the fixture. W-DMX should also be set to “ON” in the fixtures settings (full instructions can be found on page 9).

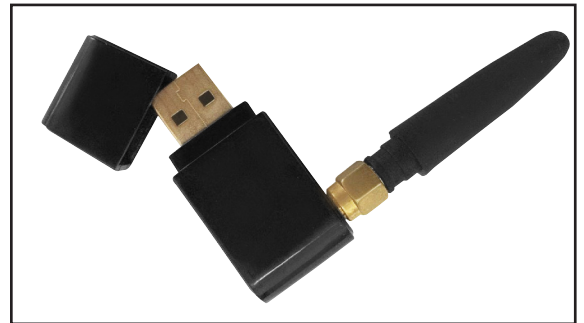
If using it in wireless DMX mode a compatible wireless DMX Transmitter (e.g. Wireless Solutions Sweden W-DMX Micro F-1 Lite G5 Transceiver) will need to be connected.

The Artisan Series W-DMX Compatible Transceiver features 2 operating protocols as listed below. The LED on the side of the dongle will illuminate a different colour for each operating protocol.

W-DMX G3 Transmit Protocol - Blue (when transmitting)

W-DMX Receive Protocol - Green (when receiving)

To set the dongle in one of these modes plug the Artisan Series W-DMX Compatible Transceiver into the USB port on the rear of the fixture. Hold down the button on the dongle whilst powering on the unit. The LED will illuminate white for a brief moment and then change colour. You can then press the button which will scroll through the operating protocols. Once you have selected the chosen protocol, press and hold the button on the dongle for 3 seconds. The LED will illuminate white, then turn blue (transmit mode) or stay white (receive mode). The unit is now set in your chosen protocol.



W-DMX G3 Transmit Protocol:

Once in this protocol the LED will illuminate blue. This indicates the fixture is ready to pair with the receiver(s). Once all the receiver(s) have been set up press the button on the dongle once and the LED will flash blue quickly, this indicates it is attempting to pair with the receivers. Once pairing is complete the LED will illuminate static blue to indicate the fixture is transmitting signal.

To disconnect the transmitting fixture from all receiving fixtures within range when connected, hold the button on the transmitting fixtures dongle down for 3 seconds until the LED illuminates red.

This indicates the wireless memory has been cleared.

W-DMX Receive Protocol:

Once in this protocol the LED will illuminate white. This indicates a connection has not yet been established with the transmitter. Once the transmitter has been set up press the button on the transmitter fixtures dongle once or press the pair button on your wireless transceiver. The LED on the receiving units will flash green quickly, this indicates it is attempting to pair with the transmitter. Once pairing is complete the LED will illuminate static green to indicate the fixture is receiving signal.

To disconnect the transmitting fixture from all receiving fixtures within range when connected, hold the button on the transmitting fixtures dongle down for 3 seconds until the LED illuminates white.

This indicates the wireless memory has been cleared.

If the indicator on the receiving units flashes red quickly this indicates that the signal from the transmitting fixture has been lost.

Setting the DMX address:

The DMX mode enables the use of a universal DMX controller. Each fixture requires a “start address” from 1- 512. A fixture requiring one or more channels for control begins to read the data on the channel indicated by the start address. For example, a fixture that occupies or uses 7 channels of DMX and was addressed to start on DMX channel 100, would read data from channels: 100, 101, 102, 103, 104, 105 and 106. Choose a start address so that the channels used do not overlap. E.g. the next unit in the chain starts at 107.

DMX 512:

DMX (Digital Multiplex) is a universal protocol used as a form of communication between intelligent fixtures and controllers. A DMX controller sends DMX data instructions from the controller to the fixture. DMX data is sent as serial data that travels from fixture to fixture via the DATA “IN” and DATA “OUT” XLR terminals located on all DMX fixtures (most controllers only have a data “out” terminal).

DMX linking:

DMX is a language allowing all makes and models of different manufactures to be linked together and operate from a single controller, as long as all fixtures and the controller are DMX compliant. To ensure proper DMX data transmission, when using several DMX fixtures try to use the shortest cable path possible. The order in which fixtures are connected in a DMX line does not influence the DMX addressing. For example; a fixture assigned to a DMX address of 1 may be placed anywhere in a DMX line, at the beginning, at the end, or anywhere in the middle. When a fixture is assigned a DMX address of 1, the DMX controller knows to send DATA assigned to address 1 to that unit, no matter where it is located in the DMX chain.

DATA cable (DMX cable) requirements (for DMX operation):

This fixture can be controlled via DMX-512 protocol. The DMX address is set on the back of the unit. Your unit requires either a standard 3-pin or 5-pin XLR connector for data input/output, see images below.



Further DMX cables can be purchased from all good sound and lighting suppliers or Prolight Concepts dealers.

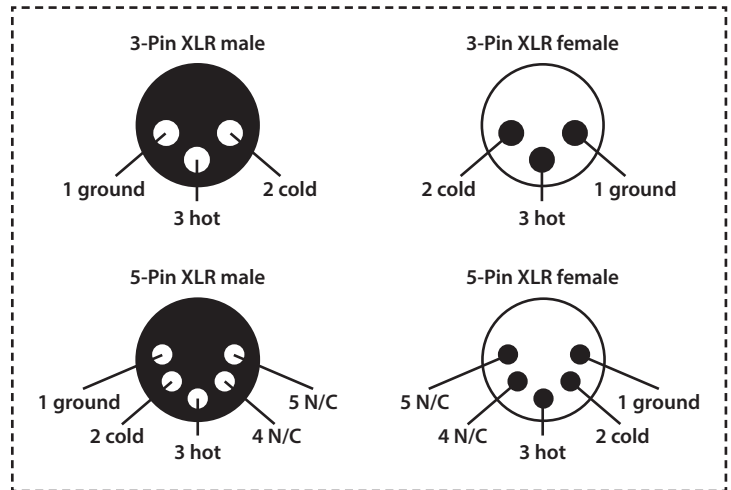
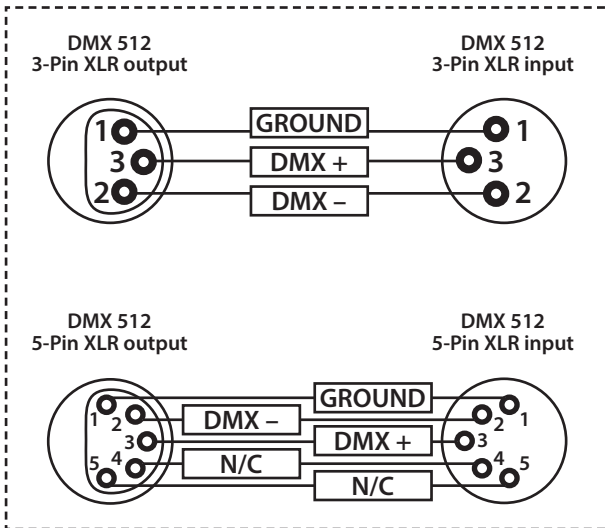
Please quote:	3-Pin:	CABL10 - 2m	CABL11 - 5m	CABL12 - 10m
	5-Pin:	CABL185 - 2m	CABL187 - 5m	CABL188 - 10m

Also remember that DMX cable must be daisy chained and cannot be split.

Notice:

Be sure to follow the diagrams below when making your own cables. Do not connect the cables shield conductor to the ground lug or allow the shield conductor to come in contact with the XLRs outer casing. Grounding the shield could cause a short circuit and erratic behaviour.

Pin Configuration	
3-Pin	5-Pin
	Pin 1 - Ground
	Pin 2 - Negative
	Pin 3 - Positive
-	Pin 4 - N/C
-	Pin 5 - N/C

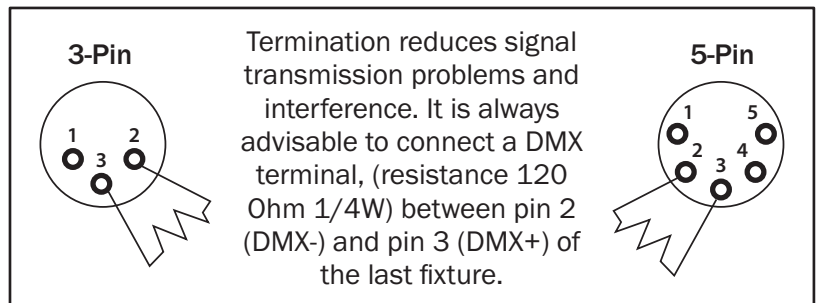


Line termination:

When longer runs of cable are used, you may need to use a terminator on the last unit to avoid erratic behaviour.

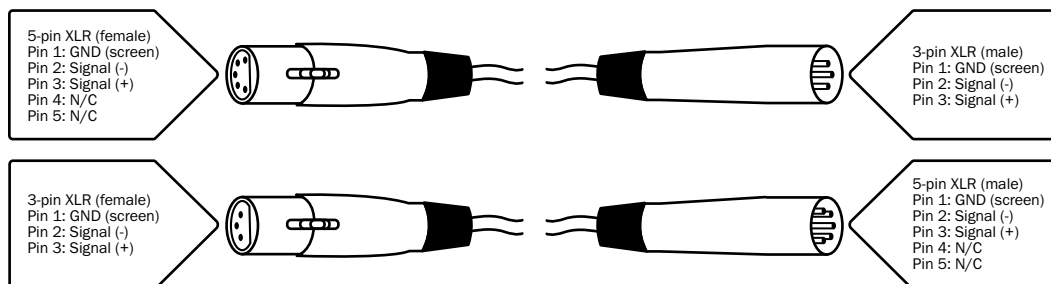
Using a cable terminator will decrease the possibilities of erratic behaviour.

(3-pin - Order ref: CABL90,
5-pin - Order ref: CABL89)



5-pin XLR DMX connectors:

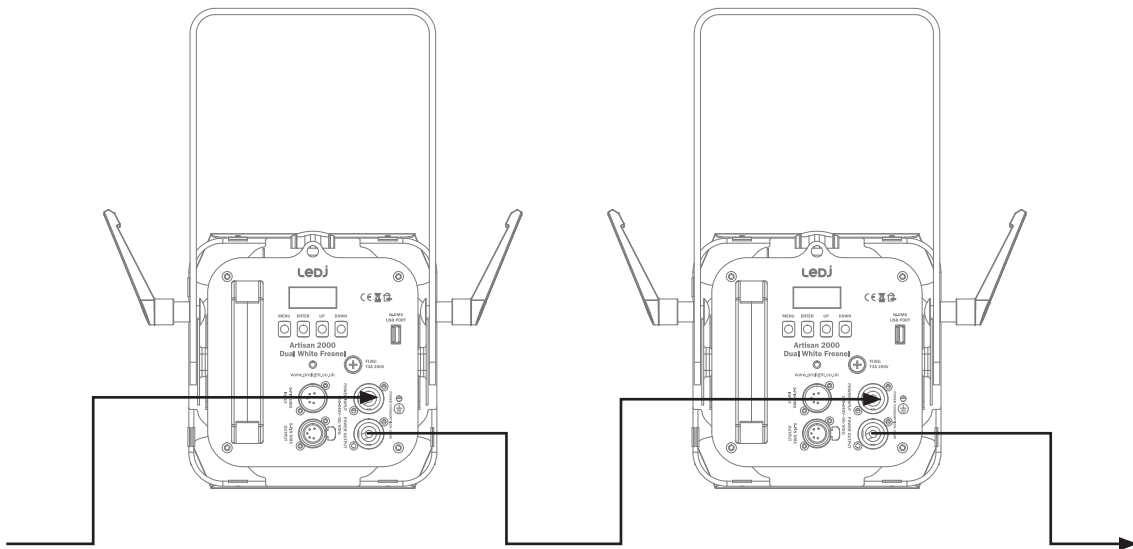
Some manufactures use 5-pin XLR connectors for data transmission in place of 3-pin. 5-pin XLR fixtures may be implemented in a 3-pin XLR DMX line. When inserting standard 5-pin XLR connectors in to a 3-pin line a cable adaptor must be used. The diagram below details the correct cable conversion.



Power linking:

This fixture provides power linking via the power output on the rear allowing multiple units to be connected together. The maximum number of fixtures that can be connected is 10 fixtures @ 240V or 5 fixtures @ 120V (including the first fixture). After the maximum number of fixtures are connected a new power run will need to be started.

Please note: Caution should be used when power linking other fixtures to the Artisan 2000 Dual White Fresnel as the power consumption of other fixtures will vary. Fixtures fitted with lamps often require 2/3 times more current on startup, these may require their own power source.





***Correct Disposal of this Product
(Waste Electrical & Electronic Equipment)***

**(Applicable in the European Union and other European countries
with separate collection systems)**

This marking shown on the product or its literature, indicates that it should not be disposed with other household wastes at the end of its working life. To prevent possible harm to the environment or human health from uncontrolled waste disposal, please separate this from other types of wastes and recycle it responsibly to promote the sustainable reuse of material resources.

Household users should contact either the retailer where they purchased this product, or their local government office, for details of where and how they can take this item for environmentally safe recycling.

Business users should contact their supplier and check the terms and conditions of the purchase contract. This product should not be mixed with other commercial wastes for disposal.



LEDj