

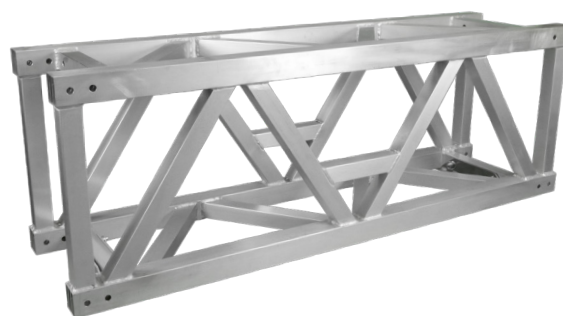
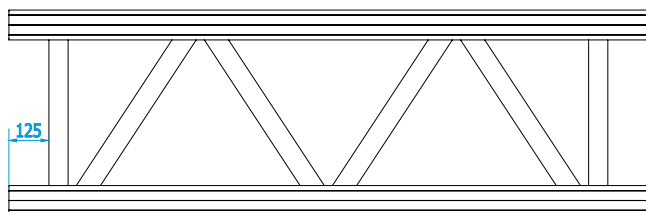
PRODUCT DATA SHEET

The BGR70 truss is designed to create large spans that can hold heavy loads. Compared to conventional B100RV Series truss systems, the BGR70 truss is 40% stronger and safes up to 35% transport volume. Rectangular profiles create a truss that can be used for spans up to 45 metres, still allowing a centre point load of 750 kg.

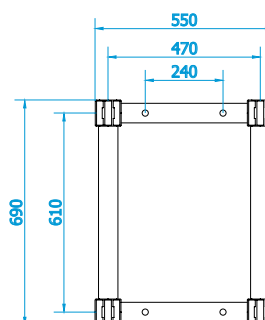
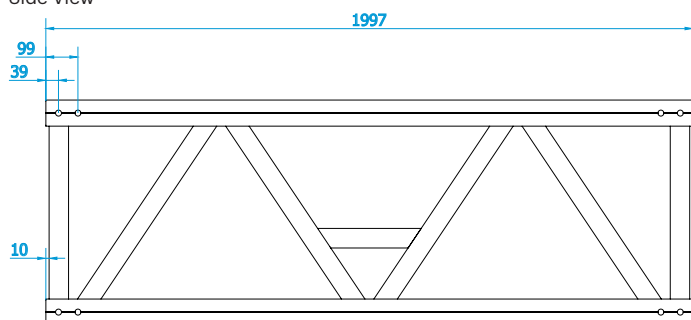
Due to its low volume and height, combined with a high load bearing capacity, the BGR70 truss is extremely suitable as a mother grid, or to support a front façade for large sets, like on dance festivals. Due to its zero deflection, the BGR70 truss is ideal in applications with motion or LED screens.

BGR70

Top View



Side View



Technical Specifications – BGR70

Type	BGR70
Alloy	EN AW 6082-T6
Truss height	690 mm
Truss width	550 mm
Self-weight	45 kg/m
Main chord	80x80x5 mm
Bracing	60x60x3,5 mm
Coupling system	Lug 70x20 mm + pin 18 mm

BGR70 – standard available lengths and codes

Metres	Feet	Code
0,50	1,64	BGR70-L050
1,00	3,28	BGR70-L100
2,00	6,56	BGR70-L200

Spacer, Pin and Clip – BGR70

Spacer 0mm	BGR-S00
Spacer 1mm	BGR-S01
Spacer 2mm	BGR-S02
Spacer 3mm	BGR-S03
Spacer 4mm	BGR-S04
BGR Locking pin 18mm	BGR70-LP18
SAFETY CLIP 4MM	ACC-LP-04

BGR70 RECTANGULAR SERIE TRUSS



BGR70 - Allowable Loading

SPAN		Uniformly Distributed Load		DEFLECTION		MAXIMUM ALLOWABLE POINT LOADS										SPAN
						Centre Single Load		DEFLECTION		Single Load Third Points		Single Load Fourth Points		Single Load Fifth Points		
m	ft	kg/m	lbs/ft	mm	inch	CPL		DEFLECTION		TPL		QPL		FPL		total weight
						kg	lbs	mm	inch	kg	lbs	kg	lbs	kg	lbs	
10	32,8	1453	978	37	1,5	7267	16038	30	1,2	5450	12028	3633	8019	3028	6682	450
11	36,1	1194	803	45	1,8	6568	14495	36	1,4	4926	10871	3284	7247	2736	6039	495
12	39,4	997	671	54	2,1	5981	13201	44	1,7	4486	9901	2991	6601	2492	5500	540
13	42,6	843	568	63	2,5	5482	12100	51	2,0	4112	9075	2741	6050	2284	5042	585
14	45,9	722	486	73	2,9	5052	11149	60	2,3	3789	8362	2526	5575	2105	4645	630
15	49,2	623	419	84	3,3	4676	10320	69	2,7	3507	7740	2338	5160	1948	4300	675
16	52,5	543	365	96	3,8	4344	9588	78	3,1	3258	7191	2172	4794	1810	3995	720
17	55,8	476	321	109	4,3	4049	8937	89	3,5	3037	6703	2025	4469	1687	3724	765
18	59,0	421	283	122	4,8	3785	8354	100	3,9	2839	6265	1893	4177	1577	3481	810
19	62,3	373	251	136	5,3	3546	7827	112	4,4	2660	5870	1773	3914	1478	3261	855
20	65,6	333	224	151	5,9	3330	7349	124	4,9	2497	5511	1665	3674	1387	3062	900
21	68,9	298	201	166	6,5	3132	6911	137	5,4	2349	5184	1566	3456	1305	2880	945
22	72,2	268	180	183	7,2	2950	6510	151	6,0	2212	4882	1475	3255	1229	2712	990
23	75,4	242	163	200	7,9	2782	6139	166	6,5	2086	4605	1391	3070	1159	2558	1035
24	78,7	219	147	218	8,6	2626	5796	182	7,2	1970	4347	1313	2898	1094	2415	1080
25	82,0	199	134	237	9,3	2481	5477	198	7,8	1861	4107	1241	2738	1034	2282	1125
26	85,3	180	121	257	10,1	2346	5178	216	8,5	1760	3884	1173	2589	978	2158	1170
27	88,6	164	111	277	10,9	2220	4899	234	9,2	1665	3674	1110	2449	925	2041	1215
28	91,8	150	101	299	11,8	2101	4636	253	10,0	1575	3477	1050	2318	875	1932	1260
29	95,1	137	92	321	12,6	1988	4388	273	10,7	1491	3291	994	2194	828	1828	1305
30	98,4	125	84	344	13,5	1882	4154	293	11,6	1412	3116	941	2077	784	1731	1350
31	101,7	115	77	368	14,5	1782	3932	315	12,4	1336	2949	891	1966	742	1638	1395
32	105,0	105	71	393	15,5	1686	3721	338	13,3	1265	2791	843	1861	703	1551	1440
33	108,2	97	65	419	16,5	1595	3521	362	14,2	1196	2640	798	1760	665	1467	1485
34	111,5	89	60	445	17,5	1508	3329	386	15,2	1131	2497	754	1664	628	1387	1530
35	114,8	81	55	473	18,6	1425	3146	412	16,2	1069	2359	713	1573	594	1311	1575
36	118,1	75	50	501	19,7	1346	2970	439	17,3	1009	2228	673	1485	561	1238	1620
37	121,4	69	46	531	20,9	1269	2802	467	18,4	952	2101	635	1401	529	1167	1665
38	124,6	63	42	561	22,1	1196	2640	496	19,5	897	1980	598	1320	498	1100	1710
39	127,9	58	39	592	23,3	1125	2484	526	20,7	844	1863	563	1242	469	1035	1755
40	131,2	53	36	624	24,6	1057	2334	557	21,9	793	1750	529	1167	441	972	1800
41	134,5	48	33	657	25,9	992	2188	589	23,2	744	1641	496	1094	413	912	1845
42	137,8	44	30	692	27,2	928	2048	623	24,5	696	1536	464	1024	387	853	1890
43	141,0	40	27	727	28,6	866	1912	658	25,9	650	1434	433	956	361	797	1935
44	144,3	37	25	763	30,0	807	1780	694	27,3	605	1335	403	890	336	742	1980
45	147,6	33	22	800	31,5	749	1652	732	28,8	561	1239	374	826	312	688	2025

1 inch = 25,4 mm | 1m = 3.28 ft | 1 lbs = 0,453 kg

- Loading figures are only valid for static loads.
- Loading figures are only valid for single spans with supports at both ends.
- All static systems, other than single spans, need an individual structural calculation. Please contact a structural engineer or Prolyte Group for assistance.
- Loading figures are calculated according to and in full compliance with European standards (Eurocode).
- The self-weight of the trusses is already taken into account.
- Loading figures are only valid for the cross sectional orientation of the truss as shown by the icon in the loading table.
- The interaction between bending moment and shear force at the connection point is already taken into account.
- Truss spans can be assembled from different truss lengths.
- Read the manual before assembling, using and loading the truss.