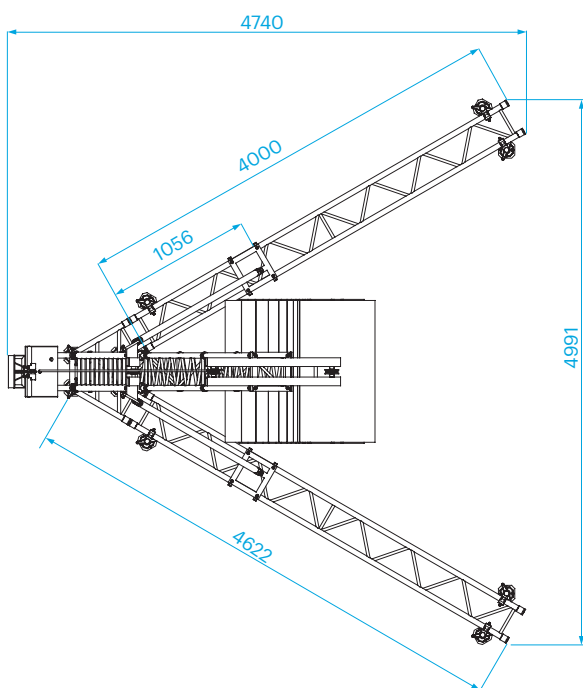
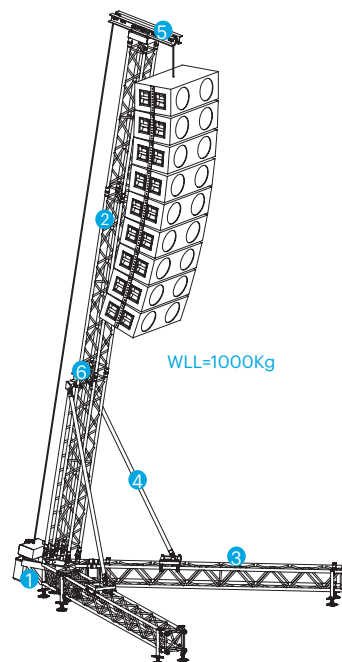
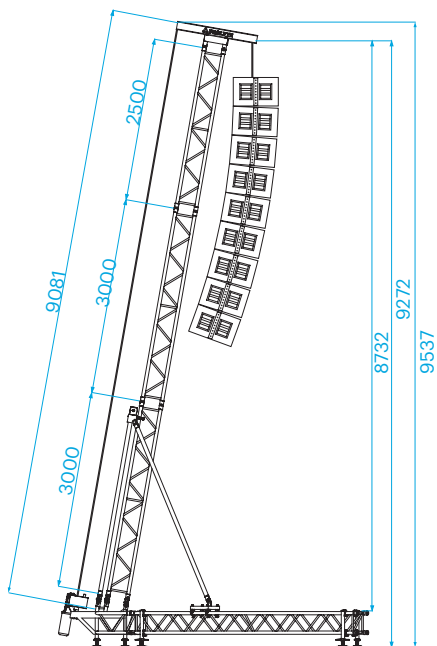


PRODUCT DATA SHEET

The medium-duty RT-S36V has a loading capacity of 1000 kg and a maximum lifting height of 9,25 m.

The RT S36V is based on S36V truss with stabilisers of 60 mm tube. It has a self-weight of 415 kg. The legs of the V-shaped base can be levelled by means of screw jacks, which are attached to the side of the legs. After the base is placed, the mast can be built and erected using the hinges on the base corner.

The mast should be stabilised by means of the braces, which fix to the legs. After the system is levelled and ballast is applied, the load can be hoisted in position. The relatively compact dimensions make it suitable for a range of applications, including outdoor events, concerts, shopping malls, halls, exhibition areas and theme parks.



Legend

1 CORNER	RT-S36V-C003
2 MAST SECTION	36V-L300
3 LEG SECTION	S36V-L400
4 STABILISER SECTION	TUBE 60 MM
5 TOP SECTION	RT-009-S36V
6 MAST ATTACHMENT	RT-STAB-S36V-REAR

Technical specifications - RT-S36V-1T

max. overall height	9.46 m (other heights optional)
max. lifting height	9.25 m
max. loading capacity	1000 kg (2200 lbs)
max. surface load front	5 m ²
max. surface load side	2,5 m ²
truss sections	S36V
stabiliser	60 mm
coupling system	CCS7 series
alloy alu parts	EN - AW 6082 T6
ballast	480 kg
max. windspeed	20,7 m/s (46.3 mph)
system weight	415 kg

Structural specifications available