

BARRIERS



Photo: Events/Cristi Mitrea. Project: Standard Vision, Linkin Park concert Romania

System characteristics

The StageDex Barrier is a lightweight crowd control system made of aluminium. The Barrier has a self-weight of only 35 kg per 1 m section.

The smooth round top bar and the bottom bar incorporate a stainless steel 15 mm slot pin that provides easy connection points for the Barriers.

The bottom side can be secured using a hexagon socket head screw (M 12 × 180 mm). All profiles have soft, rounded edges for maximum comfort.

The design load of the barrier is 4,5 kN/m1. The Barrier folds flat after use and can be stacked in dollies for easy transportation and storage. Apart from the standard 1 m sections, the Barrier can be delivered featuring several corner types, with extended platform sections, and in a SnakeGate version. Furthermore, StageDex can deliver the Barrier featuring your own logo upon request.

System applications

The StageDex Barrier was developed for use as a safety device to control crowds in various types of occasions ranging from pop concerts to outdoor events. The Barrier offers a combination of optimum safety and comfort for the audience as well as a safe working area for rescue personnel. The StageDex Barrier is designed as a demountable structure; setup and assembly are quick and easy, requiring a minimum amount of tooling.

Crowd safety

The StageDex Barrier was designed in accordance with strict design criteria and complies with all health and safety regulations such as; "Temporary Demountable Structures", "Technical Standards for Places of Entertainment", DIN 4113 and BS 8118.

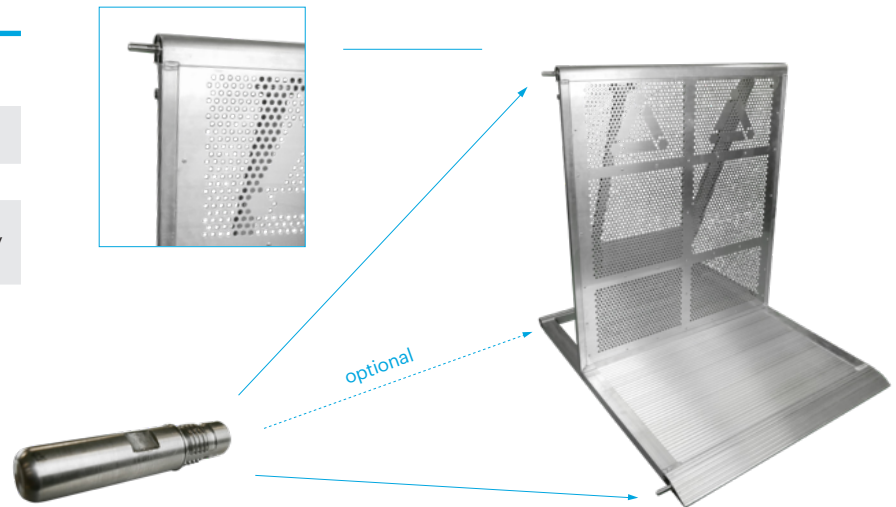
BARRIERS



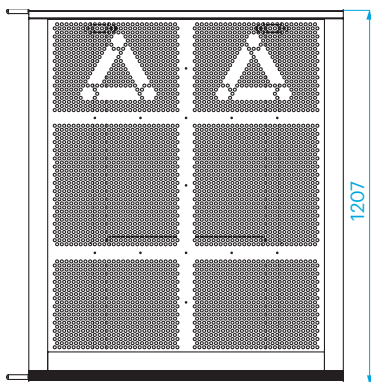
Photo: SGS Security

Technical Specifications: Barrier A

Storage volume	1070 x 1242 x 90 mm
Self weight alu barrier	35 kg/piece 1m
Design load	4,5 kN/m1
Complies with demountable structures	EN 13200 & temporary structures

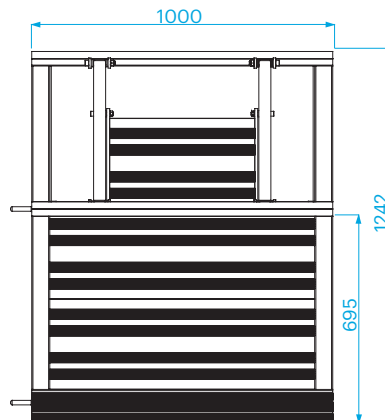


BAR-30-006 Barrier coupler



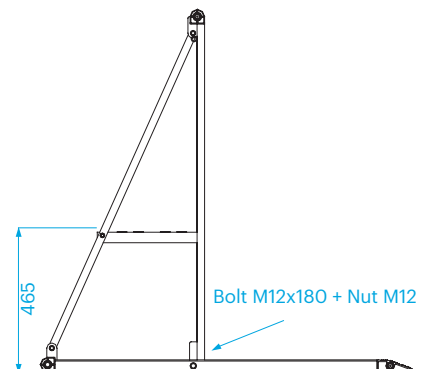
BAR-30-100

Barrier Front view



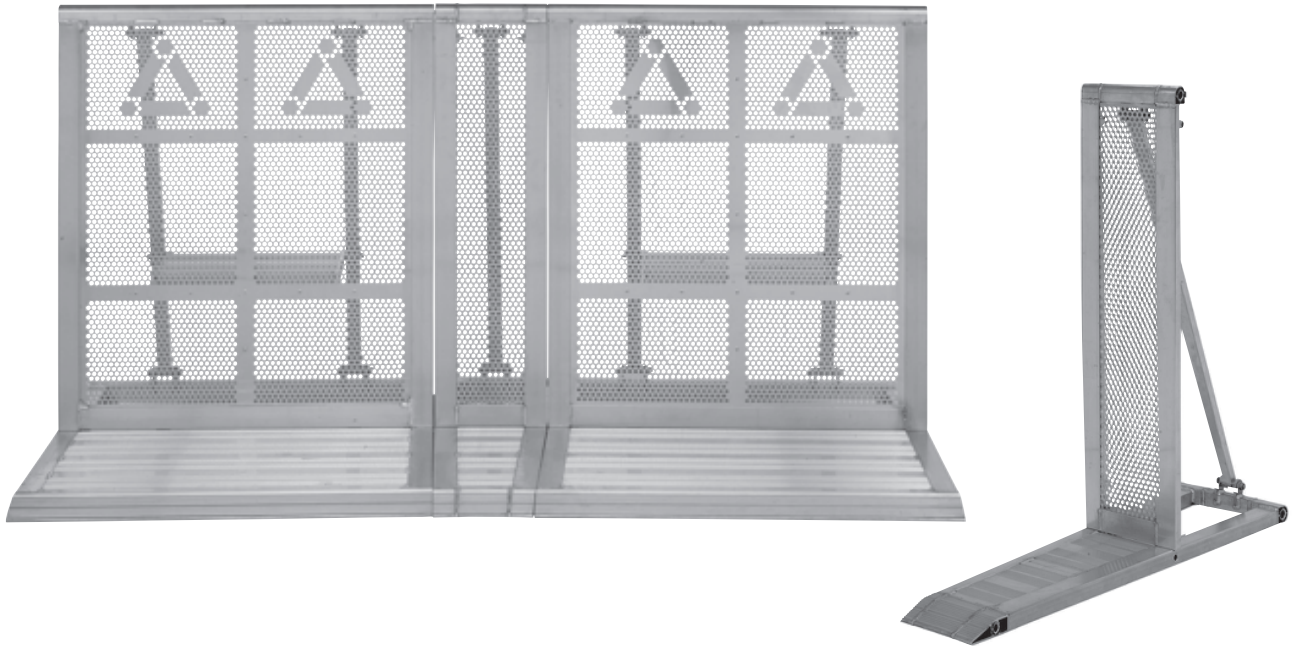
BAR-30-100

Barrier Top view



BAR-30-100

Barrier Side view

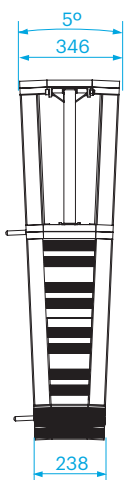


INSIDE

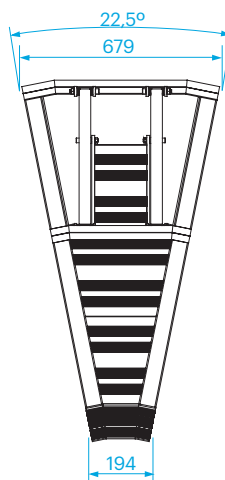
BAR-31-105	5°
BAR-31-122,5	22,5°
BAR-31-145	45°

OUTSIDE

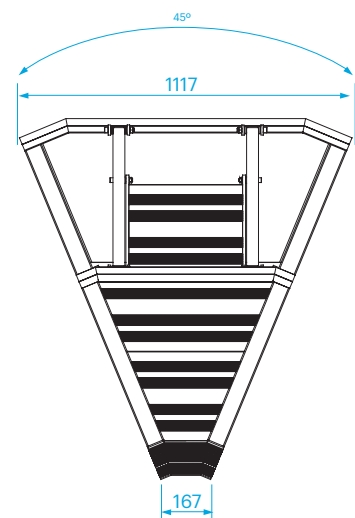
BAR-31-205	5°
BAR-31-222,5	22,5°
BAR-31-245	45°



BAR-31-105
Inside view



BAR-31-122,5
Inside view



BAR-31-145
Inside view

FLEX CORNER

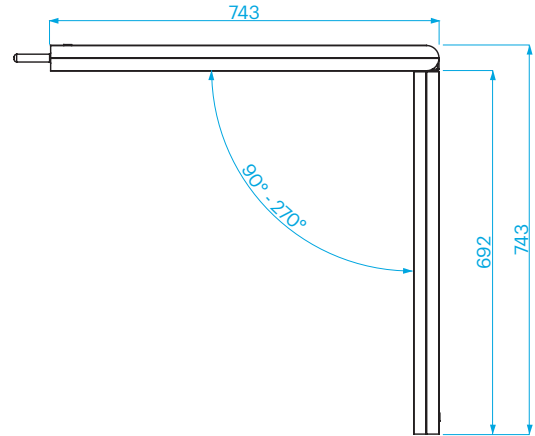
FLEX CORNER

The StageDex Barrier range is extended by the flex corner. In terms of angle, this corner can vary from 90-270 degrees and fits seamlessly with the standard StageDex Barrier. The flex corner is equipped with a robust heavy duty hinge, which is capable of absorbing all the forces to which the barrier may be subjected.

The flex corner can be used as an inside as well as an outside corner. StageDex has designed two inlay plates for a 90 degree and a 135 degree setup, respectively. Other inlay plates can be manufactured on request. The flex corner can be used without the inlay plate.



BAR-31-001

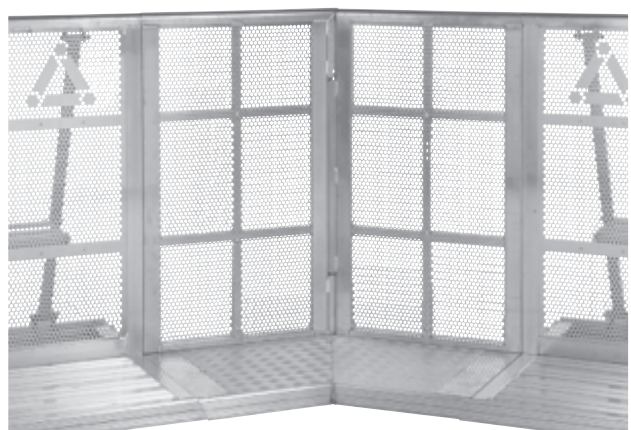


BAR-31-001

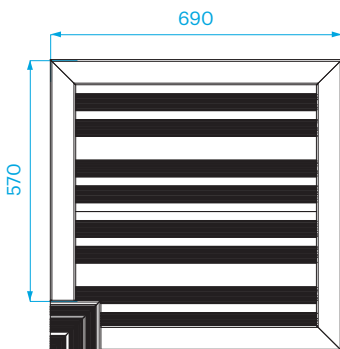
Top view



BAR-31-002

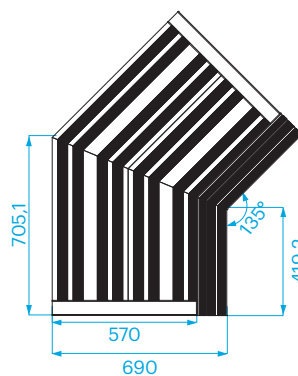


BAR-31-003



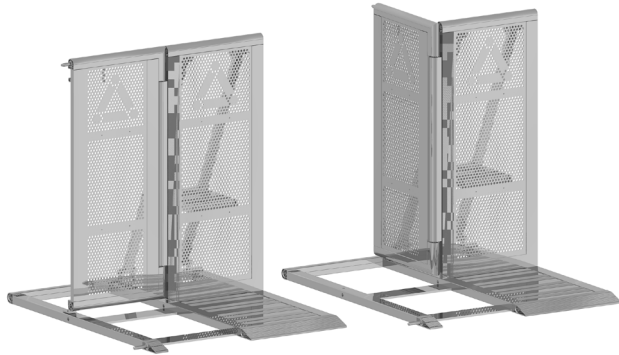
BAR-31-002

Inside view



BAR-31-003

Inside view



BAR-32-003



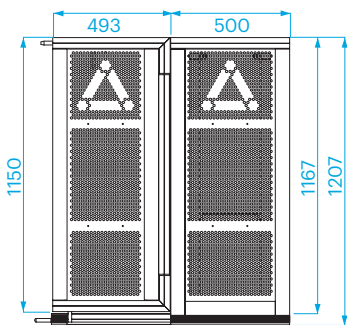
BAR-32-004

SNAKE GATE

The StageDex SnakeGate is a specially designed barrier to accommodate the transit of your cables (“snake”) from the stage to front of house (FOH).

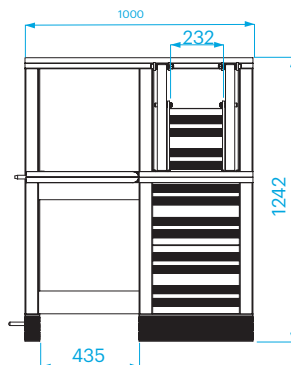
The special designed gate leaves enough room in width and height for any type of standard cable ramp to pass through the barrier line.

The integrated door facilitates access from the stage to FOH for working technicians or security personnel.



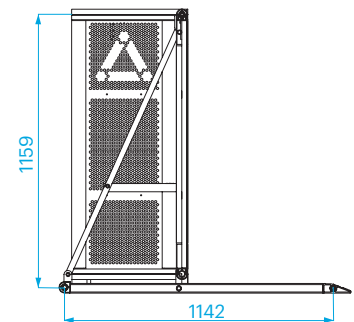
BAR-32-003

Front view



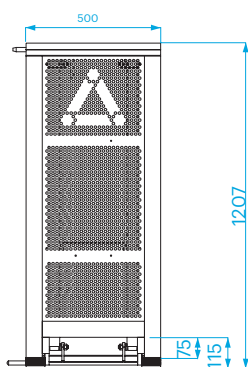
BAR-32-003

Top view



BAR-32-003

Side view



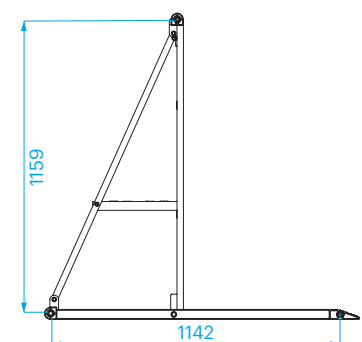
BAR-32-004

Front view



BAR-32-004

Top view



Side view



Photo: Project by MF Group, LineUpGates for Red Hot Chilli Peppers concert, Moscow, Russia.

SAFE CROWD CONTROL

Over the years, Prolyte has developed a full range of aluminium crowd control barriers that live up to the highest levels of safety and user-friendliness while complying with the strictest regulations. Prolyte barriers are easy to work with and offer crowd control in a friendly and safe way. This broad line of barriers is extended with the LineUpGate. Together with the standard barriers, a programme of fixed and variable corners, the mega gate and several clever options, the Prolyte barriers now offer a complete solution for crowd control set-ups.

MANAGING QUEUING CROWDS SAFELY

Line-up gates are designed as check points for ticket collection and to manage queuing crowds. The Prolyte LineUpGate offers a simple and efficient tool to control your audience inflow at events or festivals. The modular system can be extended with as many entry gates as you need and can be connected to the standard barriers, creating one interconnected and safe system. The LineUpGates are designed to remain upright under substantial pressure.

The entry gate is 60 cm wide and offers controlled audience entry, passing one person at a time through the gate. If the situation requires, the gates can be closed with one simple handle, stopping the inflow of audience in a controlled way. The LineUpGates can be branded with signs or banners displaying your event logos by standard mounting options.

LINEUPGATE, A CRAFTY SOLUTION

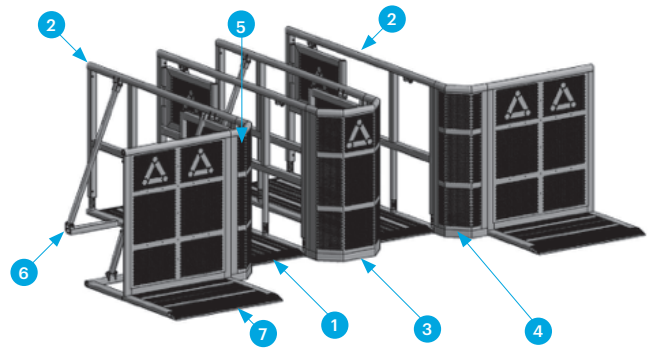
- The Standard version LineUpGate has two entries; each entry is 60 cm wide, total depth is 230 cm. Minimum overall width (1 gate) is 120 cm.
- Bumpers available in 90° and 180° sections.
- Can be coupled to any barriers from the Prolyte Barrier range
- Modular system, more LineUpGates can be coupled to create multiple entries
- Each entry can be closed with a hinged gate to stop the inflow of audience when required
- Standard mounting options for banners or signs
- Standard supplied with floor panel to secure safe and stable set-up
- All profiles have rounded edges – for more comfort and easy handling
- Panel holes are no larger than 10mm, to prevent jammed fingers
- Noise reduction; all barriers have a vibration free mounted front panel and nylon bearing at hinge points
- Floor panels have standard ridges to create more grip on uneven surfaces, like sand or grass
- Compact transportation – folds to pallet size



SPECIFICATIONS:

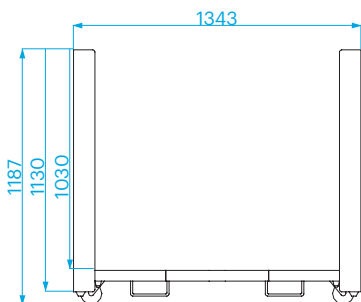
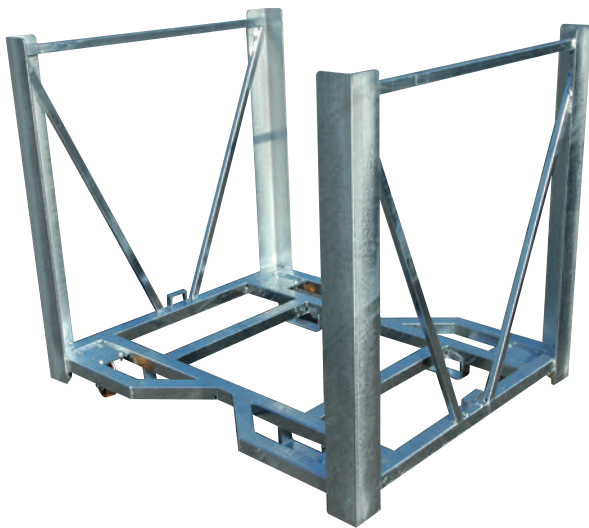
Size 60 cm wide, total depth is 230 cm. Minimum overall width (1 gate) is 120 cm

Weight	1	Bar-34-001	30 kg
	2	Bar-34-002	20 kg
	3	Bar-34-003	16 kg
	4	Bar-34-004-R	6,5 kg
	5	Bar-34-004-L	6,5 kg
	6	Bar-34-005	3 kg
	7	Bar-30-100	35 kg



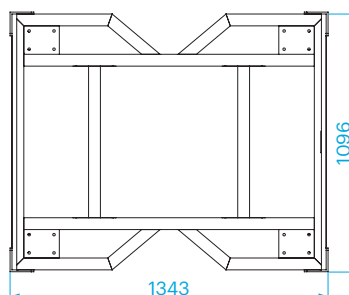
DOLLY

The specially designed barrier dolly makes transporting the barriers easy. This robust steel dolly holds 10 standard 1 m barrier sections. Simply load the StageDex Barriers on top of each other in the dolly. A set of 4 sturdy castor wheels makes transportation and the loading of the dolly easy. The dollies can be stacked on top of each other to save space in storage.



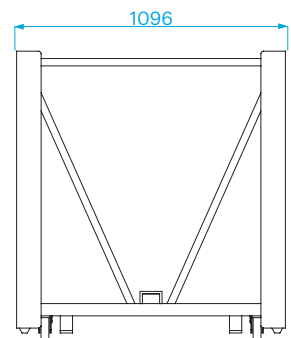
BAR-10-010 / 011

Front view



BAR-10-010 / 011

Top view



BAR-10-010 / 011

Side view

BAR-10-010 are without wheels
BAR-10-011 are with wheels