

ProPlex[®]

DATA DISTRIBUTION



ProPlex FOH Friend[™]

USER MANUAL

ProPlex FOH Friend User Manual

ProPlex-FOHfriend-UserManual-v1.3
Effective 7 June 2021

© Copyright 2021, TMB
All rights reserved

TMB authorizes its customers to download and print this electronically published manual for professional use only. TMB prohibits reproduction, modification or distribution of this document for any other purposes, without express written consent.

Specifications are subject to change without notice. The information in this document supersedes all previously supplied information before the effective date listed above. TMB has confidence in the accuracy of the document information herein but assumes no responsibility or liability for any loss occurring as a direct or indirect result of errors or exclusions whether by accident or any other cause.

Overview

The ProPlex FOH Friend is a timecode/audio switching device, allowing programmers to instantly switch between two timecode and two audio track sources. With all the outputs and controls needed for timecode and audio, the FOH Friend allows the programmer to make use of every minute of valuable programming time. Durable and compact, the FOH Friend goes anywhere. Just a few of the features include:

- Independent gain controls for XLR audio output + true headphone amp with 1/4" and 3.5mm jacks
- Three passive XLR timecode outputs, unaffected by power failure
- Two audio + two timecode inputs all with combination XLR/1/4" TRS connectors
- Selector switches for independent selection of audio + timecode inputs
- USB powered
- Will also function as a main/backup timecode or audio switch
- Optional Single and Dual RackMount Kits available

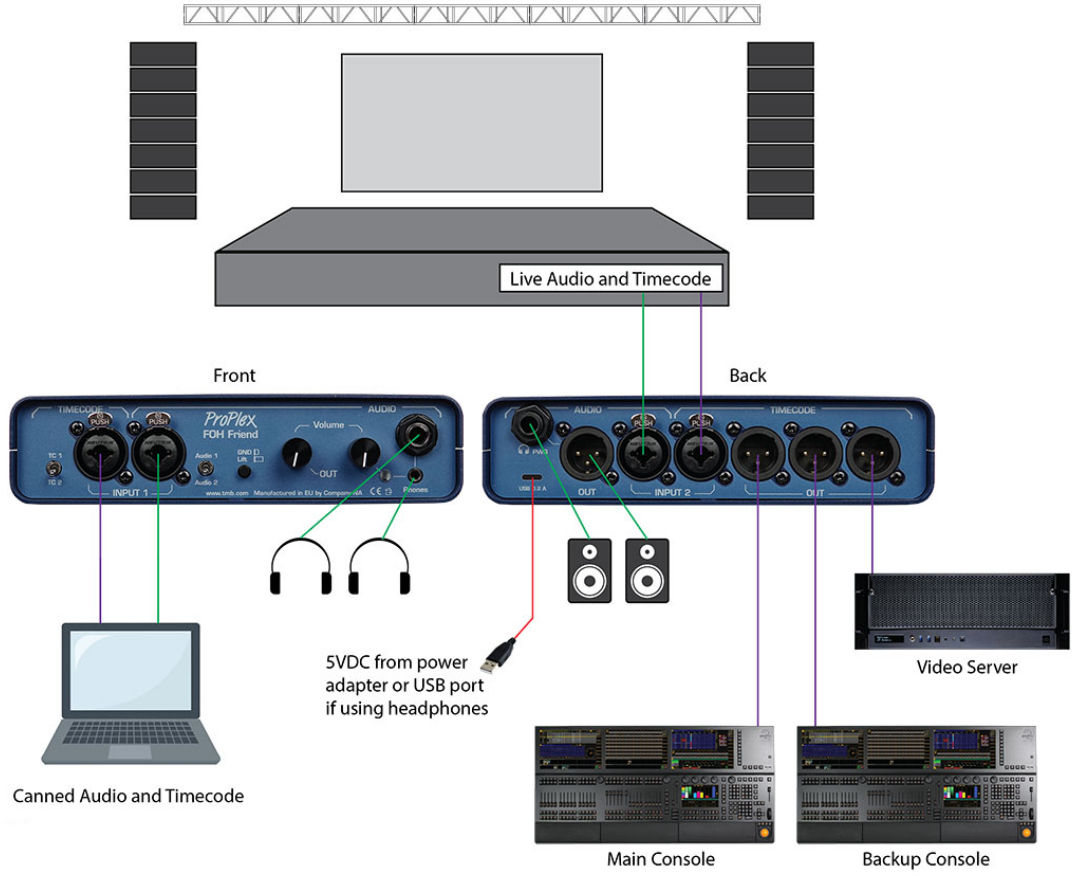
Front and Rear Panels



Tech Notes

- Timecode out[puts are separated with 600 Ohm transformers.
- There are two separate potentiometers for Headphone and Audio Outputs.
- USB-C power is required only for the headphones amplifier.
- Timecode Splitter Outputs work without USB Power
- There are separate selectors for Timecode and Audio Inputs.
- The Ground Lift button separates Output ground from Input Ground.
- USB Headphone power has an LED indicator.

System Diagram



Appendix

Limited Warranty

ProPlex Data Distribution Devices are warranted by TMB against defective materials or workmanship for a period of two (2) years from the date of original sale by TMB.

TMB's warranty shall be restricted to the repair or replacement of any part that proves to be defective and for which a claim is submitted to TMB before the expiration of the applicable warranty periods.

This Limited Warranty is void if the defects of the Product are the result of:

- Opening the casing, repair, or adjustment by anyone other than TMB or persons specifically authorized by TMB
- Accident, physical abuse, mishandling, or misapplication of the product.
- Damage due to lightning, earthquake, flood, terrorism, war, or act of God.

TMB will not assume responsibility for any labor expended, or materials used, to replace and/or repair the Product without TMB's prior written authorization. Any repair of the Product in the field, and any associated labor charges, must be authorized in advance by TMB. Freight costs on warranty repairs are split 50/50: Customer pays to ship defective product to TMB; TMB pays to ship repaired product, ground freight, back to Customer.

This warranty does not cover consequential damages or costs of any kind.

A Return Merchandise Authorization (RMA) Number must be obtained from TMB prior to return of any defective merchandise for warranty or non-warranty repair. For all repairs please contact TMB Tech Support Repair using the contact information below or email TechSupportRepairNA@tmb.com.

US

527 Park Ave.
San Fernando, CA 91340
Tel: +1 818.899.8818
Fax: +1 818.899.8813
tmb-info@tmb.com
www.tmb.com

UK

21 Armstrong Way
Southall, UB2 4SD England
Tel: +44 (0)20.8574.9700
Fax: +44 (0)20.8574.9701
tmb-info@tmb.com
www.tmb.com

Return Procedure

Please send returned merchandise prepaid and in the original packing. Freight call tags will not be issued for shipping the product to TMB, but TMB will pay the freight for return to the customer. Clearly label package with a Return Merchandise Authorization Number (RMA #). Products returned without an RMA # will delay service. Please contact TMB and request an RMA # prior to shipping the unit. Be prepared to provide the model number, serial number, and a brief description of the cause for the return. Be sure to properly pack the unit; any shipping damage resulting from inadequate packaging is the customer's responsibility. TMB reserves the right to use its own discretion to repair or replace product(s). Proper UPS packing or double-boxing will better ensure product integrity when shipped.

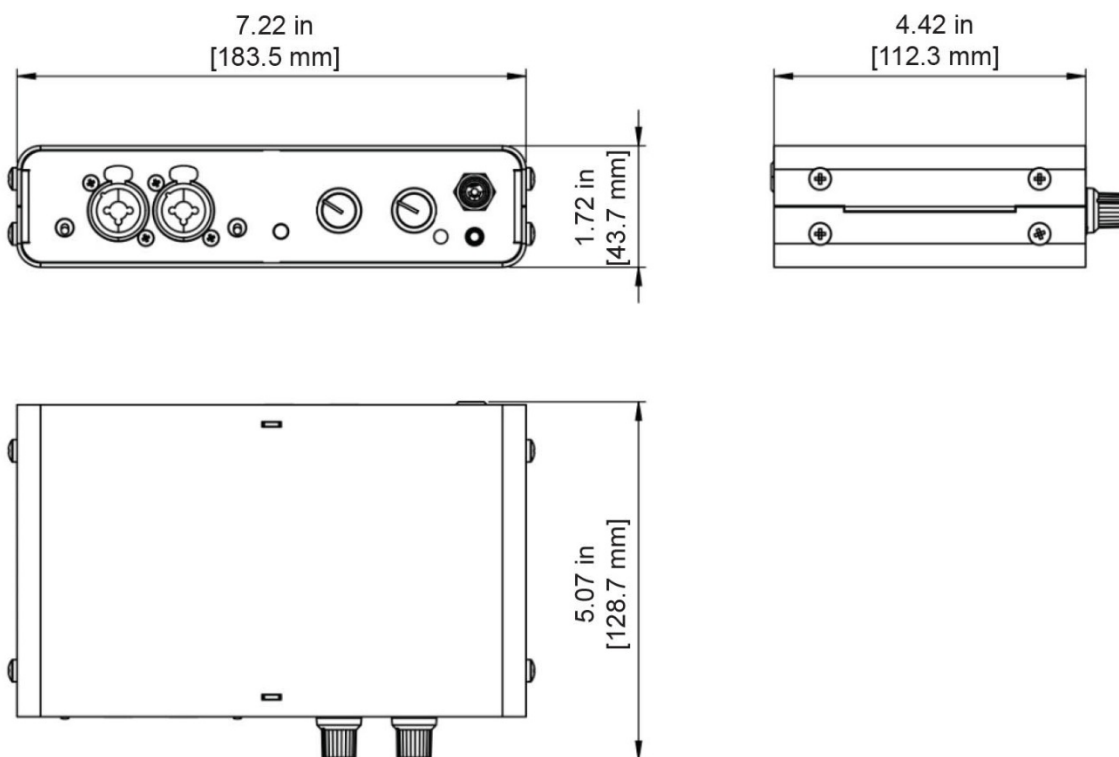
Note: If you are given an RMA #, please include the following information on a piece of paper inside the box:

- 1) Your name
- 2) Your address
- 3) Your phone number
- 4) The RMA #
- 5) A brief description of the symptoms

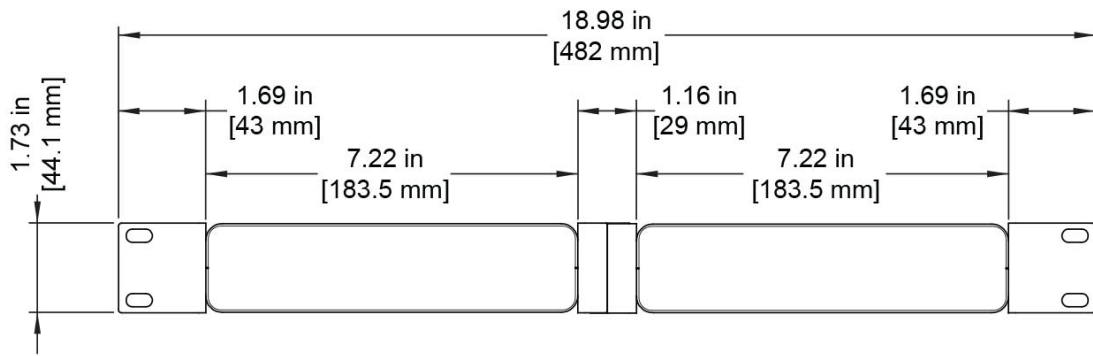
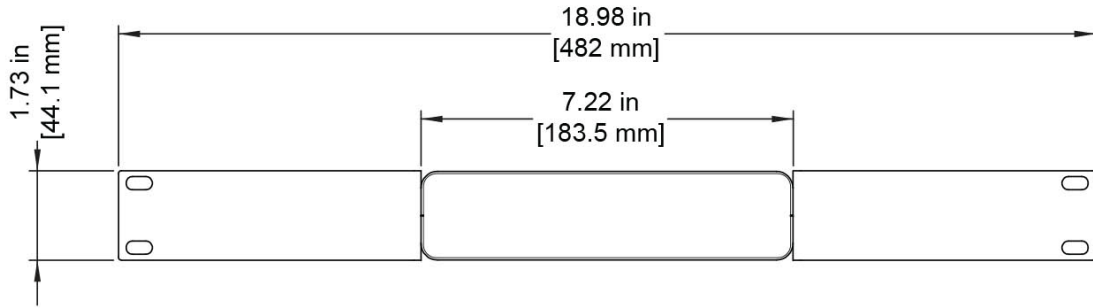
Specifications

Part Number	PPFOHF743M
DC Power	5 VDC only for headphone amplifier
Power Consumption	0.1 A
Cooling	Passive
Power Connectors	USB-C
Timecode Input Connectors	2x Neutrik XLR female with combination 1/4" TRS
Audio Input Connectoers	2x Neutrik XLR female with combination 1/4" TRS
Timecode Output Connectors	3x Neutrik XLR Male with 600 Ohm transformers
Audio Output Connectors	1x Neutrik XLR Male, 1x 1/4" TRS
Headphone Output Connectors	1x 1/4" TRS Headphone Jack, 1x 3.5 mm TRS Jack
Operating Temperature	-20 to +40 °C
Unit Dimensions (HxWxD)	1.72 x 7.22 x 5.07" [43.7 x 183.5 x 128.7 mm]
Shipping Dimensions (HxWxD)	4 x 8.5 x 5.5" [101.6 x 215.9 x 139.7 mm]
Unit Weight	1.2 lb [0.54 kg]
Shipping Weight	1.4 lb [0.64 kg]
Optional RackMount Kits	PPIRMKITSS - ProPlex 1U RackMount Kit, Small, Single
	PPIRMKITSD - ProPlex 1U RackMount Kit, Small, Dual

Dimensions



RackMount Kit



CONTACT INFORMATION

LOS ANGELES HEADQUARTERS

527 Park Avenue | San Fernando, CA 91340, USA

Tel: +1 818.899.8818 | Fax: +1 818.899.8813

sales@tmb.com

TMB 24/7 TECH SUPPORT

US/Canada: +1.818.794.1286

Toll Free: 1.877.862.3833 (1.877.TMB.DUDE)

UK: +44 (0)20.8574.9739

Toll Free: 0800.652.5418

techsupport@tmb.com

LOS ANGELES +1 818.899.8818

LONDON +44 (0)20.8574.9700

NEW YORK +1 201.896.8600

BEIJING +86 10.8492.1587

CANADA +1 519.538.0888



A full service company providing technical support, customer service, and follow-up. Providing products and services for the industrial, entertainment, installation, defense, broadcast, research, telecommunications, and signage industries. Servicing the global market from offices in Los Angeles, London, New York, Toronto, and Beijing.