



RST
Stage Technology

T250/T300



**T300 ELECTRIC
CURTAIN TRACK
SYSTEM**

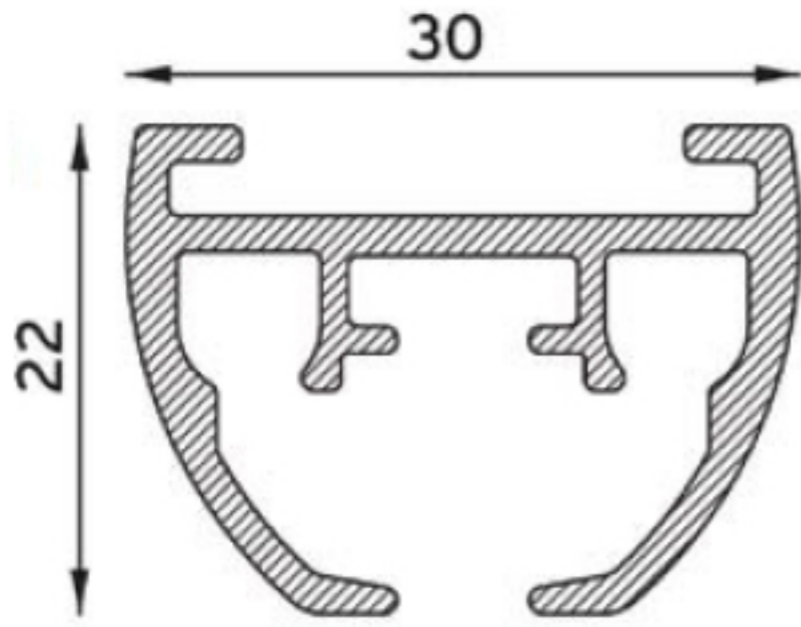


**T250 WALK ALONG
AND HAND LINE
CURTAIN TRACK
SYSTEM**



T250TRACK

T250 Track is a walk along or hand line operated curtain system suitable for light or medium weight curtains. Designed for mid-sized applications, T250 can be curved and bent to a minimum radius of 250mm. The elegant rounded profile remains unobtrusive when installed with its proprietary fixing clamps. Control side and cord drops can be altered on site with relative ease making the T250 elegant and uniquely versatile.



MATERIALS

Aluminium 606035-T6-F22 (higher specification than DIN 1725). Shape and size tolerances are in accordance with DIN 17615. White RAL 9010 as standard. Profile weight T300 567 gr per linear metre and T250 492 gr per linear metre.

INSTALLATION

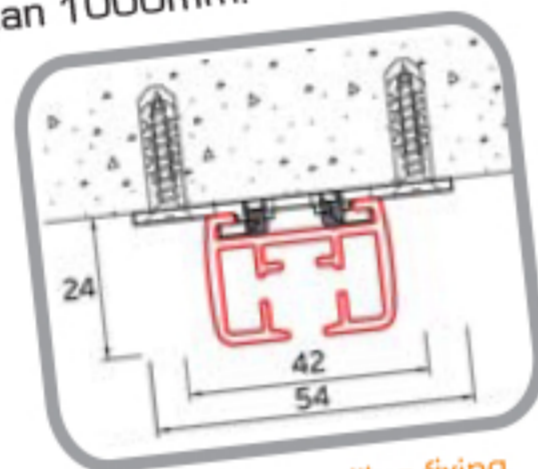
1. Standard ceiling fixing bracket 6050, fixing centres required every 600mm - 800mm. Maximum total curtain weight with standard ceiling brackets: 25kg.
2. Heavy duty ceiling fix bracket 6055-1000 should be used for heavier curtains up to 100kg and for special curves. Fixing centres required every 600mm - 800mm.
3. Standard wall fixing bracket 6051 (projection of 40mm)
4. Extendable wall fixing bracket 6057 (projection of 70mm - 150mm). Weight per bracket of up to maximum 10kg, depending on fixing surface.

BENDING

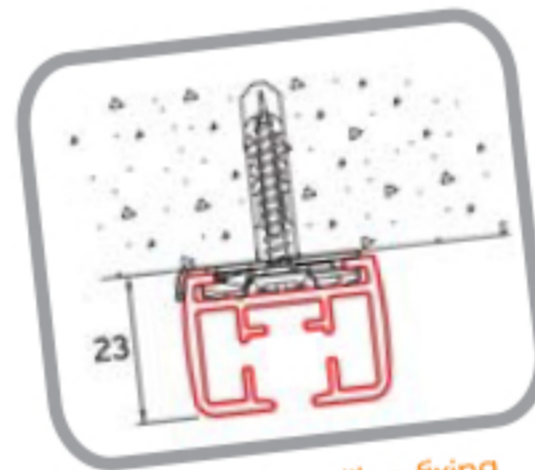
Radius 250mm or greater than 1000mm.



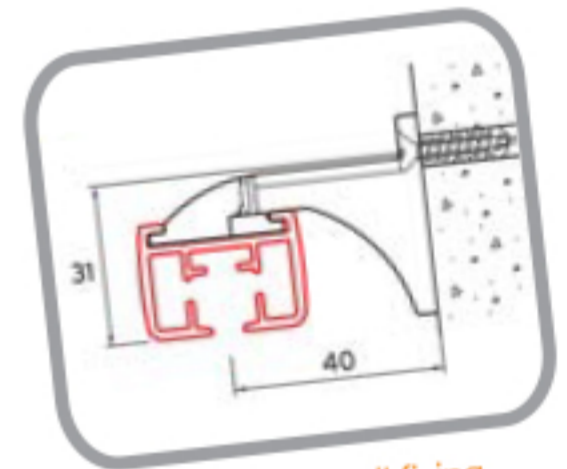
Recessed fixing



Heavy duty ceiling fixing



Standard ceiling fixing



Standard wall fixing

T300 is a powerful low voltage (24V) electrically operated curtain track system. Supplied tested and assembled and completely ready to install with infrared remote control as standard. The track is suitable for both 110 and 240 Volt supply, T300 can be installed without the need of an electrician. T300 track can also be supplied curved to meet any configuration you may require.

SPECIAL QUALITIES

- Silent operation
- Strong Motor with low system resistance
- Easy control and setting of the system using infrared remote control
- In-built repeat timer function
- Up to 5 intermediate positions programmable
- Standard travel speed set at 150mm / second
- Integrated T300 'CAN-BUS' system, allows group / individual control of T300 electric curtain tracks
- Optional Pilot Release System, allows curtains to be operated by hand in the event of emergency, power failure and/or product unfamiliarity

T300TRACK

