

Mr.Quad-D Manual



INTRODUCTION

Thank you for selecting the DMX driver. This DMX driver has a 400W PSU inside, and 4 RJ45 output to control the 48V DMX in ground lights or DMX spot. It has led display on the top to set DMX address or built-in programs. 120V/240V direct input, DMX in & out by both 3-pin & 5-pin XLR. Each output can hold 1pcs DMX-P9-Quad or 3pcs DMX-S3-Quad.

SAFETY INSTRUCTIONS

- Please keep this User Guide for future consultation.
- Always make sure that you are connecting to the proper voltage and that the line voltage you are connecting to is not higher than that stated on decal or rear panel of the fixture.
- This product is intended for indoor use only!
- To prevent risk of fire or shock, do not expose fixture to rain or moisture.
- The unit must be installed in a location with adequate ventilation, at least 50cm from adjacent surfaces. Be sure no ventilation slots are blocked.
- Always disconnect from power before servicing or replacing fuse.
- Make sure power cord is never crimped or damaged.
- Do not look into the beam from a distance of less than 40 cm (16 inches). Do not stare into the beam for extended periods at a short distance.

FEATURES

- RGBW color mixing
- 4 Work modes: Auto, Sound, DMX, Slave
- 5 DMX modes: 4ch, 5ch, 6ch, 7ch, 8ch
- 18 built-in programs
- Onboard programming functionality enables programming without external DMX controller
- Electronic protection against short circuit
- Power failure memory
- Set Slave ID

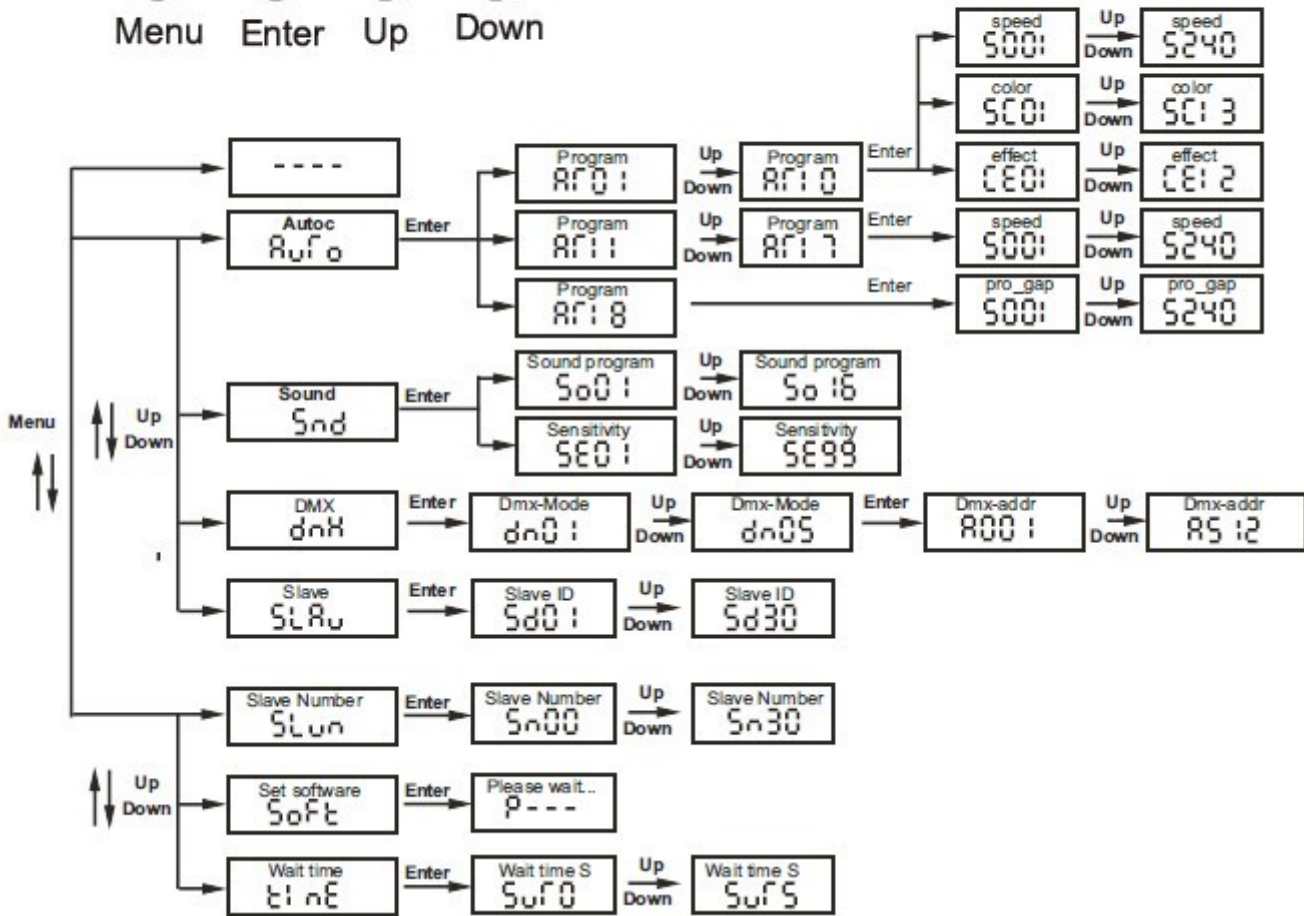
OPERATION INSTRUCTIONS

Menu MAP

Control Board

○ ○ ○ ○
Menu Enter Up Down

When navigating the menu:
Use "UP" button to move up.
Use "DOWN" button to move down.
Use "ENTER" button to move right.
Use "MENU" button to move left.



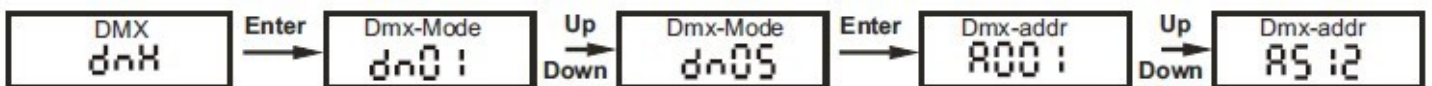
18 built-in programs

Color Program	Color Speed	Set Color	Color Effect	Prog.gap
1~10	0~240	1~13	1~12	/
11~17	0~240	/	/	/
18	/	/	/	0~240

DMX MODE

In DMX mode, you have 5 modes to select according to programming requirement for your environment: 4ch, 5ch, 6ch, 7ch and 8ch mode.

Press MENU button go to System Mode, then use Up/Down button to select System Mode [DMX] and press Enter button to enter and dispalys:



Mode 1: 4 DMX Channels

Channel	Level	Function
1	0~255	Red Linear 0~100%
2	0~255	Green Linear 0~100%
3	0~255	Blue Linear 0~100%
4	0~255	White Linear 0~100%

Mode 2: 5 DMX Channels

Channel	Level	Function
---------	-------	----------

1	0~152	Master Dimmer 0~100%
	153~242	Strobe 1~20Hz
	243~255	White full
2	0~255	Red Linear 0~100%
3	0~255	Green Linear 0~100%
	0~255	Blue Linear 0~100%
4	0~255	White Linear 0~100%

Mode 3: 6 DMX Channels

Channel	Level	Function
1	0~255	Red Linear 0~100%
2	0~255	Green Linear 0~100%
3	0~255	Blue Linear 0~100%
4	0~255	White Linear 0~100%
5	0~255	Master Dimmer 0~100%
6	0~4	Strobe open
	5~255	Strobe 1~20Hz

Mode 4: 7 DMX Channels

Channel	Level	Function
1	0~255	Red Linear 0~100%
2	0~255	Green Linear 0~100%
3	0~255	Blue Linear 0~100%
4	0~255	White Linear 0~100%
5	0~4	Strobe open
	5~255	Strobe 1~20Hz
6	0~1	No Marco
		Color fade slow to fast
		Color snap slow to fast
		Random slow to fast
		Auto fade
		Auto snap
		Auto strobe
		Auto color pulse
		Red pulse
		Green pulse
		Blue pulse
		Yellow pulse
		Aqua pulse
	White pulse	
	White full	
7	0~255	Master dimmer 0~100%

Mode 5: 8 DMX Channels

Channel	Level	Function
1	0~7	Shutter closed
	8~15	Shutter open
	16~151	Strobe 1~20Hz
	152~159	Pulse open slow speed
	160~167	Pulse open medium speed
	168~175	Pulse open high speed
	176~183	Pulse close slow speed
	184~191	Pulse close medium speed
	192~199	Pulse close high speed
	200~207	Random strobe low speed
	208~215	Random strobe medium speed
	216~223	Random strobe high speed
	224~255	Shutter open
2	0~255	Master dimmer 0~100%

3	0~255	Red linear 0~100%
4	0~255	Green linear 0~100%
5	0~255	Blue linear 0~100%
6	0~255	White linear 0~100%
7	0~7	No marco
	8~15	Marco1 rainbow slow-stand 5s
	16~23	Marco2 rainbow mid-stand 5s
	24~31	Marco3 rainbow fast-stand 5s
	32~39	Marco4 rainbow slow-nostand 5s
	40~47	Marco5 rainbow medium-no stand time
	48~55	Marco6 rainbow fast-no stand time 5
	56~63	Marco7 rainbow very slow-no stand time
	64~70	Marco8 random color change slowly
	71~79	Marco9 random color change medium
	80~87	Marco10 random color change fast
88~155	Null	
8	0~255	Color temperature control

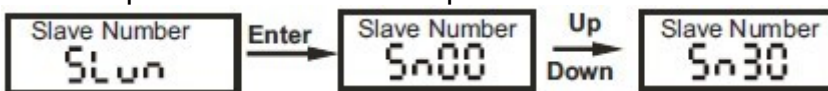
SYSTEM UPDATE

In this mode, you can update software by DMX port.



SLAVE NUMBER

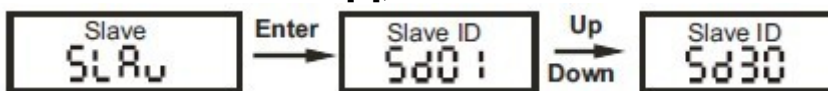
1. Press MENU button go to System Setup mode, then use Up/Down button to select System Setup [Slave Number] and press Enter button to enter.
2. Use Up/Down button to set up the number of total Slave units.



SLAVE MODE

In Master/Slave operating mode, all Slave units are to be set to Slave Mode and Slave ID is required for each Slave unit.

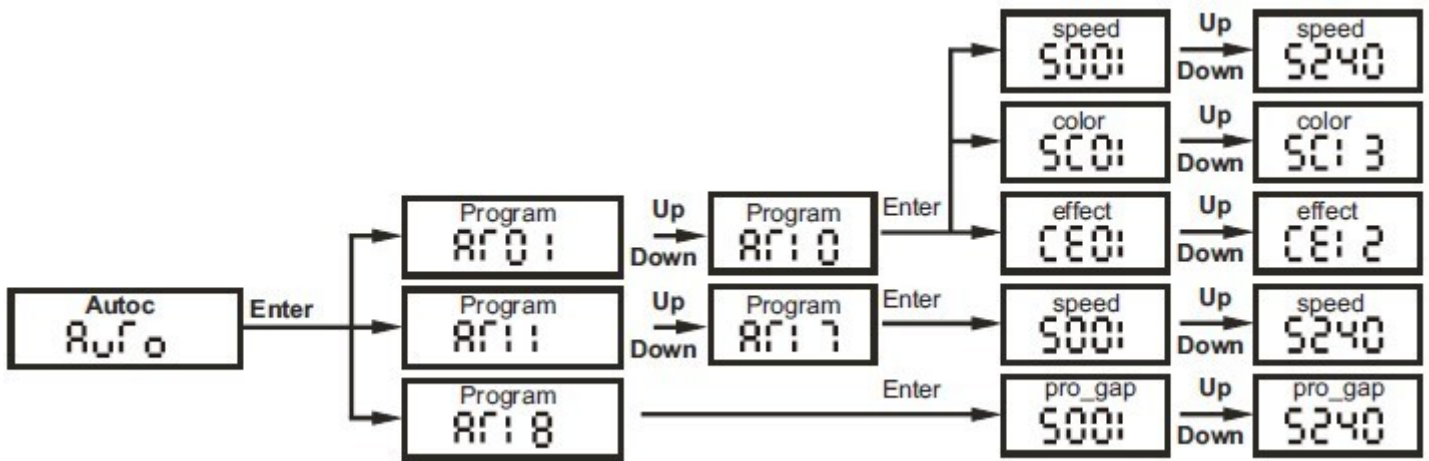
1. Press MENU button go to System Mode, then use Up/Down button to select System Mode [Slave] and press Enter button to enter.
2. Use Up/Down button to set up a Slave ID number for that unit. The first Slave connected with the Master unit is Slave ID [1], the next Slave units are Slave ID [2], Slave ID [3], and son on.



AUTO MODE

In this mode, you can combine 3 editable, 18 built-in programs and running time of each program without external DMX controller.

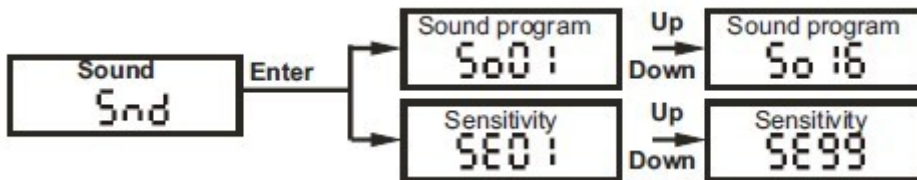
1. Press MENU button till System Mode [xxx] displayed, then use Up/Down button to select System Mode [Auto] and press Enter button to enter. Map shows:



2. Press Up/Down button to select Program [01-18].

SOUND MODE

1. Press MENU button till System Mode [xxx] displayed, then use Up/Down button to select System Mode [Sound] and press Enter button to enter. Map shows:



2. Press Up/Down button to select Sound Program [01-02].

3. When Sound Program [01-02] is selected, press Enter button to enter and set sound sensitivity from [1-99], highest to lowest level.

GENERAL MAINTENANCE

To maintain optimum performance fixtures should be cleaned frequently. Unplug fixture from power. Use a vacuum or air compressor and a soft brush to remove dust collected on external vents and internal components. Clean all glass gently when the fixture is cold with a mild solution of glass cleaner or Isopropyl Alcohol and a soft lint free cotton cloth or lens tissue.

IMPORTANT INFORMATION

To reduce the impact on human health and the environment, old appliances must be collected separately.

SPECIFICATIONS

DIMENSIONS: 289x225x79mm 3.5 kg

POWER: 110V or 230V 50/60Hz AC

Power Consumption: 400W.

Connection diagram:

