



125601-SBL

Colorful Neon LED Flex strip





Parameter

01	Model	HL- B-5050RGB-56D-24V
02	Input voltage	DC24V
03	Power	12W/M
04	Color temperature	RGB
05	LED Type	5050 RGB 3in1
06	LEDs/m	56LEDs/m
07	Waterproof	IP67
08	Working temperature	-20~+50 °C
09	Warranty	3 years
10	PCB Width	10mm FPC
11	Unit	0.5m
12	Product size	26x14mm

Applications

- Decorative lighting for exhibition shelves, advertising light ,box and hotel etc.
- Backlight for edge lighting / signage.
- Holiday decorative lights, residential and outdoor lighting.
- Bridge, garden, road and car lighting etc.
- Long-distance project but with inconvenient wiring.



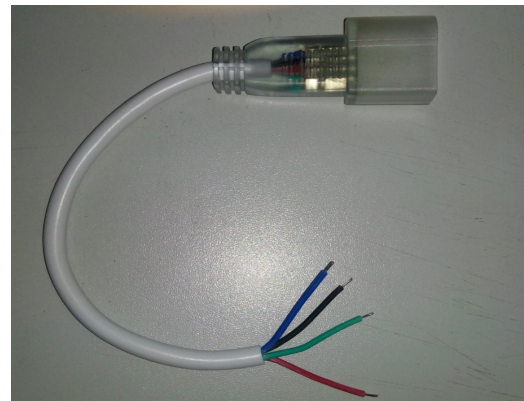
Features

- High light efficiency, unique optical light distribution structure design, uniform surface without shadow, no glare, no light spots, soft light.
- High light transmittance, food grade environmentally friendly silicone material, good flexibility, simple and stylish appearance, exquisite and unique.
- Soft and can be optionally bent to any shape with Graceful figure.
- IP67 waterproof, with salt-tolerant, acid and alkali, anti-gas corrosion, fire, UV resistance.
- Easy to connect and install, seamless docking, shearing everywhere, using DC24V voltage, safe and reliable.
- LM80 test certification, UL, CE, ROHS certification.

Accessories



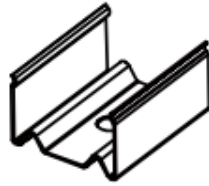
End Caps



Front Connection with 4PIN pin

Installation Notes

1. select the appropriate buckle according to the product installation environment, prepare the screws.

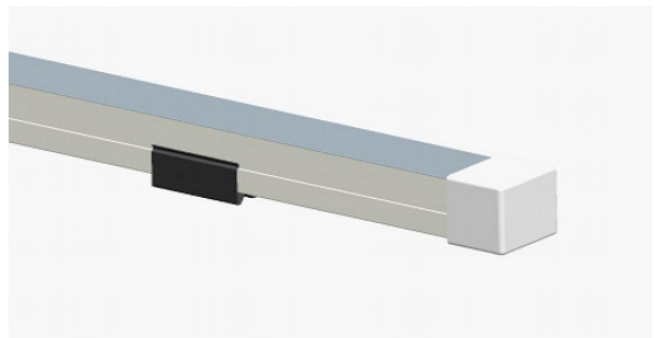
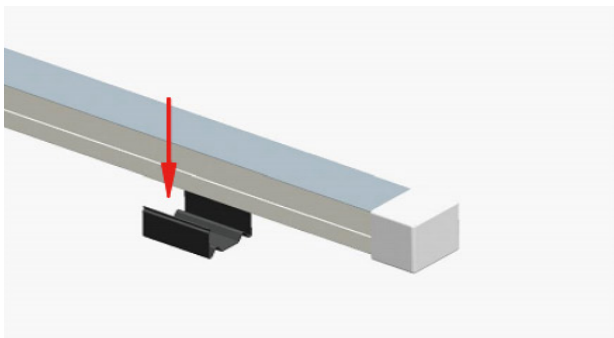


Clip

2. Adjust the buckle to the proper position and secure the buckle with the screw.



3. The product has a light-emitting surface facing outward, embedded in the buckle to complete the installation.



Appearance



Notices

- The products are low voltage, you must use the power supply. Please do not directly connect the product to high voltage, which will damage the light bar and even cause an accident.
- Please read the product manual carefully before using the product. Must be installed by professionals to ensure safe use.
- The light-emitting surface of the product is directional and can only be bent in one direction. Please install and use the product according to the direction of the product to avoid damage to the LED strip.
- Please do not strongly twist or pull the product. Do not pierce the product colloid with sharp objects.
- The product may be soiled during use and can be wiped clean with a cotton cloth dampened with water or alcohol.