

User Guide

AC Triac DMX Dimmer

The Triac DMX512 dimmer is designed with 100-240VAC input and 100-240VAC output, safe and reliable full isolation design to dim and switch single color LED lamps, traditional incandescent and halogen lights.

The DMX512 dimmer is designed with standard DMX512 compliant control interface with digital numeric display to set and show DMX address freely, can be compatible with a variety of DMX512 masters. The AC dimmer is both triac dimmable and mosfet dimmable and comes with 1 channel output.

Feature

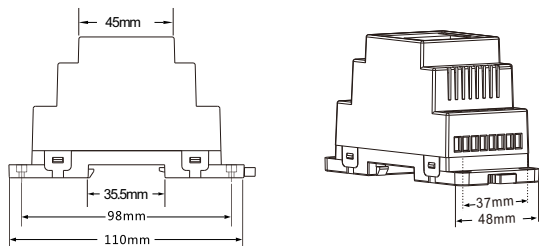
- AC phase-cut mosfet dimmer with DMX512 function, digital display, one channel output.
- DMX decode mode / Stand-alone dimmer mode / Stand-alone dynamic mode.
- Standard DMX512 compliant interface, DMX address display, set DMX address freely.
- RDM bi-directional communication function.
- Under stand-alone dimmer mode, adjust and save up to 8 brightness.
- Under stand-alone dynamic mode, have 2 mode.
- Reverse-phase dimming or forward-phase dimming optional.
- Minimum brightness set from 1% to 40%.
- To dim and switch single color dimmable LED lamps, traditional incandescent and halogen lights.
- Din rail or screw mounted optional.

Technical parameter

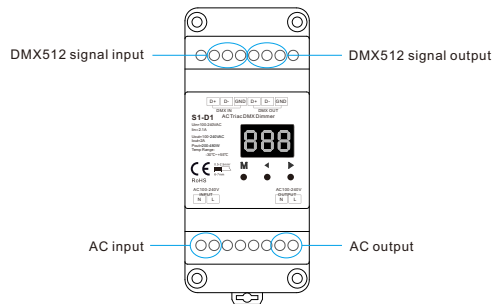
Model	Input voltage	Output voltage	Output current	Output power	Size(mm)
S1-D1	100-240VAC	100-240VAC	2A	200-480W	115x48x67

Note: When calculating the maximum number of load lamps or drivers, the input power or input current parameters of a single lamp or driver must be used, the output power parameters can not be used, otherwise, the product will be overloaded and damaged.

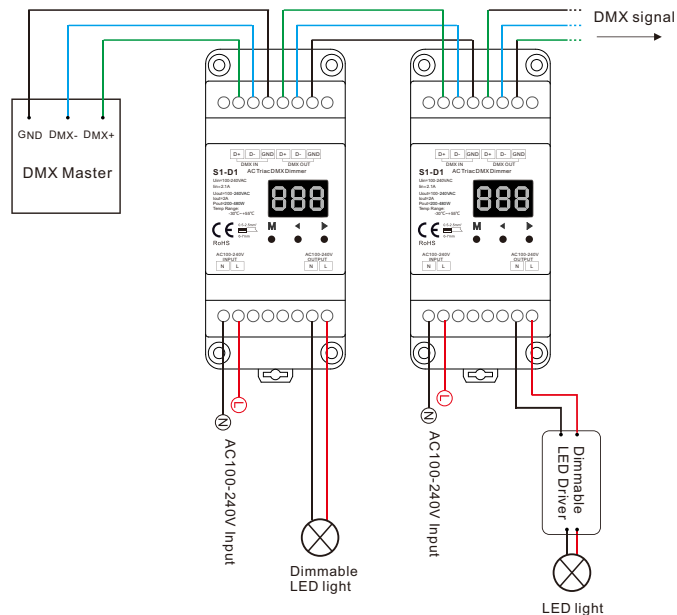
Dimension



Interface specification



Wiring diagram

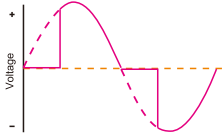


Operation

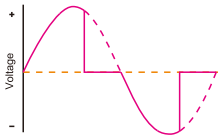
System parameter setting

- Long press M and ◀ key for 2s, prepare for setup system parameter: control method, minimum brightness curve, automatic blank screen.
- short press M key to switch three item.
- Control method: short press ◀ or ▶ key to switch forward-phase("C-F") or reverse-phase("C-R").

Forward-phase control dimmer



Reverse-phase control dimmer



- Minimum brightness: short press ◀ or ▶ key to set minimum brightness, from 1% to 40%("b01" to "b40"). You need set suitable minimum brightness to avoid flick.
- Automatic blank screen: short press ◀ or ▶ key to switch enable ("bon") or disable("boF") automatic blank screen.
- Long press M key for 2s or timeout 10s, quit system parameter setting.

DMX mode

- Short press M key, when display 001~999, enter DMX mode.
- Press ◀ or ▶ key to change DMX decode address(001~999), long press for fast adjustment.
- If there is a DMX signal input, will enter DMX mode automatically.



DMX mode
(001~999)

Stand-alone dimmer mode

- Short press M key, when display L-1~L-8, enter stand-alone dimmer mode.
- Press ◀ or ▶ key to change dimmer mode number(L-1~L-8).
- Each dimmer mode can adjust brightness independently.
- Long press M key for 2s, prepare for adjust brightness.
- Press ◀ or ▶ key to adjust brightness value(100-1FF).
- Long press M key for 2s, or timeout 10s, quit setting.
- Enter stand-alone dimmer mode only when DMX signal is disconnected or lost.



Stand-alone dimmer mode
(L-1~L-8)

Stand-alone dynamic mode

- Short press M key, when display P-1~P-2, enter stand-alone dynamic mode.
- Press ◀ or ▶ key to change dynamic mode number(P-1~P-2).
- Each mode can adjust speed and brightness.
- Long press M key for 2s, prepare for setup mode speed, brightness.
- Short press M key to switch two item.
- Press ◀ or ▶ key to setup value of each item.
- Mode speed: 1-10 level speed(S-1, S-9, S-F).
- Mode brightness: 1-10 level brightness(b-1, b-9, b-F).
- Long press M key for 2s, or timeout 10s, quit setting.
- Enter stand-alone dynamic mode only when DMX signal is disconnected or lost.



Stand-alone dynamic mode
(P-1~P-2)



Speed
(8 level)



Brightness
(10 level,100%)

Dynamic mode list

No.	Name
P-1	0%,50%,100% light change in sequence
P-2	light fadein and fadeout

Restore factory default parameter

- Long press ◀ and ▶ key for 2s, restore factory default parameter, display"RES".
- Factory default parameter: DMX decode mode, DMX first address is 1, reverse-phase control, 10% minimum brightness, dimmer mode number is 1, dynamic mode number is 1, disable automatic blank screen.

Malfunctions analysis & troubleshooting

Malfunctions	Causes	Troubleshooting
No light	1. No power. 2. Wrong connection or insecure.	1. Check the power. 2. Check the connection.
Wrong brightness	1. DMX decode address error.	1. Set correct decode address.

Safety information

1. The product shall be installed and serviced by a qualified person.
2. This product is non-waterproof. Please avoid the sun and rain.
3. Good heat dissipation will prolong the working life of the controller, please ensure good ventilation.
4. Ensure all wire connections and polarities are correct and secure before applying power to avoid any damages to the LED lights.
5. If a fault occurs please return the product to your supplier. Do not attempt to fix this product by yourself.