

User Guide

5 Channel RGB+CCT LED RF Controller

The LED controller is a constant voltage RF receiver with 5 channel output, which can be compatible with a variety of remotes to switch and dim RGB+CCT five color LEDs, change RGB color or color temperature. Multiple zones can be controlled separately or synchronously with endless receivers in each zone. Smooth dimming from 0.1% to 100% without any flickering can be very comfortable for human's eyes. Built-in 10 dynamic mode can create fancy lighting effects.

Feature

- RGB+WW/CW LED controller with 5 channel PWM constant voltage output.
- Full compatibility with a variety of RGB+CCT remote.
- Smooth dimming and switch without any flickering.
- Built in 10 dynamic mode, include jump or gradual change style, adjustable speed and brightness.
- Adopt 2.4GHz wireless technology, remote distance up to 30m, can accept up to 10 remote control.
- Auto-transmitting function, one receiver can transmit the signal from the remote to another receiver within 15m, so the remote control distance can be beyond 100m.
- Auto-synchronization function, different receivers can work synchronously when they are controlled by the same remote, under same dynamic mode and same speed.
- Can be WiFi controlled by APP installed on IOS or Android mobile devices while working with WiFi-Relay controller.
- Work with power repeater to expand output unlimitedly.

Technical parameter

Model	Input voltage	Output current	Output power	Output type
V5	5-24VDC	5CH,4A/CH	5 x (20-96)W	Constant voltage

Match guide

V5 receiver match with all kinds of single or multiple zone RGB+CCT remote controller.

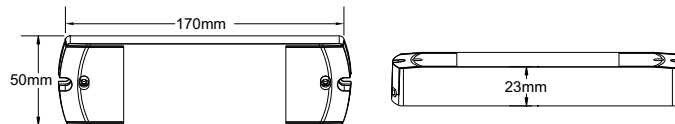
Use Match key

1. Match: Short press match key, within 5s, press on/off key or zone key of the remote.
2. Delete: Long press match key for 5s, delete all matched remote.
3. Multiple zone remote only use zone key to match each zone receiver.

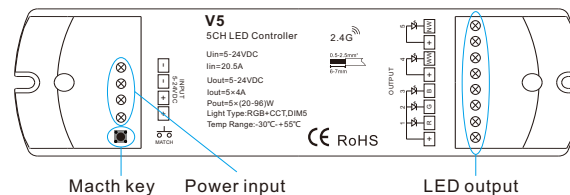
Use Power-up

1. Match: Switch off the power, then switch on power again, short press on/off key or zone key 3 times on the remote quickly within 5s after power on, the link is done once the light blinks 3 times.
2. Delete: Long press off the power, then switch on power again, short press on/off key or zone key 5 times on the remote quickly within 5s after power on, the unlink is done once the light blinks 5 times.
3. Multiple zone remote only use zone key to match each zone receiver.

Dimension

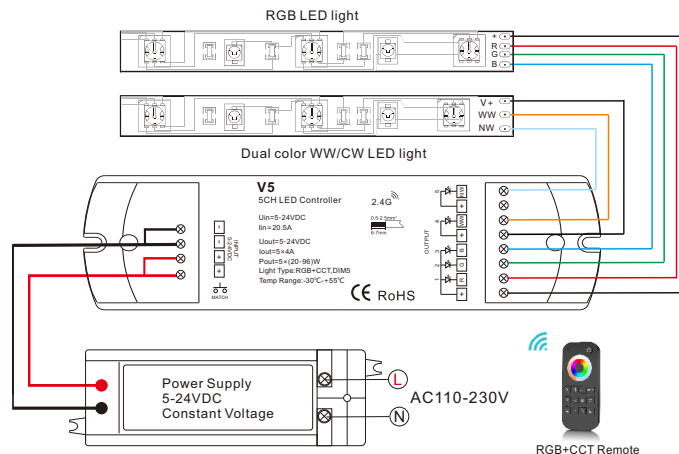


Interface specification



Note: Long press match key for 10s, RGB and CCT light can not be on at the same time.
Long press match key for 15s, RGB and CCT light can be on at the same time.
above operation will also restore the factory setting.

Wiring diagram



RGB+CCT Remote

Power supply select guide

- 5V lamp, Input 5V power supply, can load 0~100W,
 - 12V lamp, Input 12V power supply, can load 0~240W,
 - 24V lamp, Input 24V power supply, can load 0~480W,
- The power supply power must larger than load power 20%.

Dynamic mode list

No.	Name	No.	Name
1	RGB jump	6	RGB fade in and out
2	RGB smooth	7	Red fade in and out
3	6 color jump	8	Green fade in and out
4	6 color smooth	9	Blue fade in and out
5	Color temperature smooth	10	White fade in and out

Malfunctions analysis & troubleshooting

Malfunctions	Causes	Troubleshooting
No light	1. No power. 2. Wrong connection or insecure.	1. Check the power. 2. Check the connection.
Wrong color	1. Wrong connection of R/G/B/WW/NW wires.	1. Reconnect R/G/B/WW/NW wires.
Uneven intensity between front and rear,with voltage drop	1. Output cable is too long. 2. Wire diameter is too small. 3. Overload beyond power supply capability. 4. Overload beyond controller capability.	1. Reduce cable or loop supply. 2. Change wider wire. 3. Replace higher power supply. 4. Add power repeater.
No response from the remote	1. The battery has no power. 2. Beyond controllable distance. 3. The controller did not match the remote.	1. Replace battery. 2. Reduce remote distance. 3. Re-match the remote.

Safety information

1. The product shall be installed and serviced by a qualified person.
2. The product is non-waterproof. Please avoid the sun and rain.
3. Good heat dissipation will prolong the working life of the controller, Please ensure good ventilation.
4. Please check if the output voltage of any power supplies used comply with the working voltage of the product.
5. Ensure all wire connections and polarities are correct and secure before applying power to avoid any damages to the LED lights.
6. If a fault occurs please return the product to your supplier. Do not attempt to fix this product by yourself.