

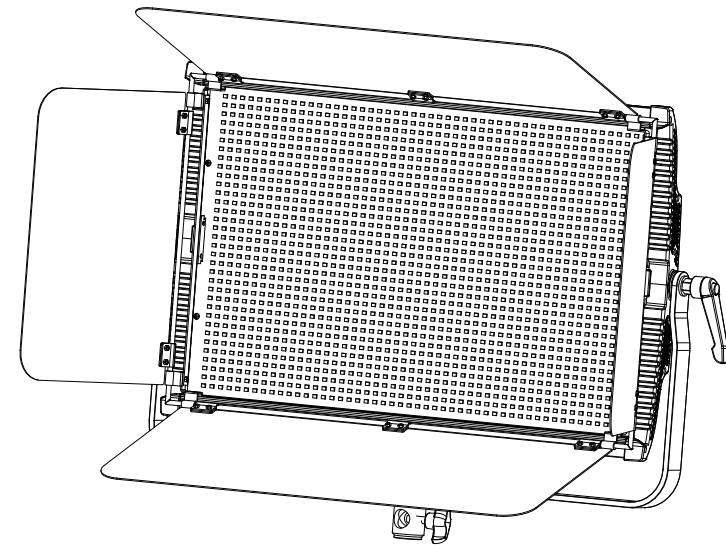
● Warning and Notes

- 1.The environment should be kept dry and ventilated when using the light.
- 2.Please do not let the device be exposed to rain or moisture, to avoid circuit problem.
- 3.Please do not use the light with over- rated voltage.
- 4.It's normal the fixture will be a little hot when working.
- 5.During transportation and installation process, please do not hit against other items, or else it may cause deformation to the lamp shade and damage to the light.
- 6.Please do not directly look at the light bulb with naked eyes when the light is on.
- 7.Please do not place the light near by such as alcohol or gasoline and other flammable or volatile solvents.
- 8.Please use the soft dry cloth to clean the light. You can wash with a cloth with some neutral detergent to remove the dirt that is difficult to remove, and then dry with a soft cloth.
9. Keep the light out of reach from children.
- 10.Do not disassemble equipment. Touch the product's internal part could result in injury. In the event of malfunction, the product should be repaired only by a qualified technician.
11. Please cut off power when the light isn't used for long time.
12. Please note the precautions, or could result in injury.
13. Orange color Slice Used for for color temperature 5600K Conversion 3200K, but will reduce thecolor temperature and exponential.

Note:The technical data are subject to change without notice.



SBL 150W Softlightpanel, tunable white SKU: 155085



● Product Information

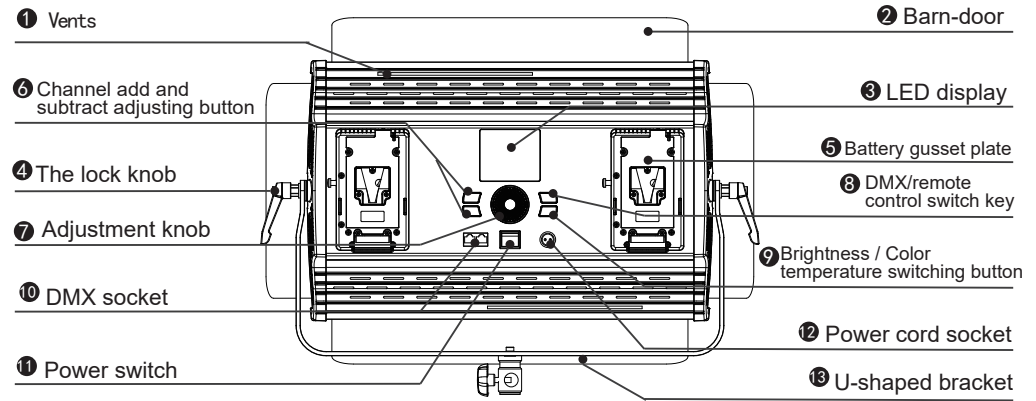
Thank you for purchasing this product. The LED studio lights are composed of 1700 caps high-quality, output 150W power LED lamp beads. LED lamp beads less heat, the product design lamp beads highlight the back plate can make heat dissipation faster, to avoid overheating caused damage to the LED lamp beads, increase the service life of LED lights.

This product shell is made of high quality aviation aluminum manufacturing, and smooth appearance, light weight, used for a long time not deformation, one-piece aviation aluminum panel design. Our products are free to adjust the brightness (10% ~ 100%) (double adjustable) are free to adjust the color temperature, can be 2.4 G wireless remote control dimmer, convenience for the remote.

● Specifications

Model	155085
Output Power	150 W
Luminous Flux	15000 LM
LED Quantity	1700 PCS
Color Temperature	3200-5600K Continuous adjustment
Light Source	0.2W SMD LED
Color rendering index	≥ 95
Dimmer	10%-100%
Remote Control	99 channels 2.4G wireless remote control
Remote control distance	>50M
DMX512 dimmer	YES (RJ45 interface)
Lithium Battery Type	SONY BP V type series of lithium battery x2
DC power input	DC 36V
Adapter	DC36V 5A
size(Do not contain light barrier)	300*480*46mm

● Overview



- 1 Vents
- 2 Barn-door
- 3 LED display
- 4 The lock knob
- 5 Battery gusset plate
- 6 Channel add and subtract adjusting button
In different mode, the can be adjusted (increase or decrease) , DMX, and wireless remote control Numerical.
- 7 Adjustment knob
In different mode, the can be adjusted brightness (increase or decrease) percentage, color temperature Numerical.
- 8 DMX/remote control switch key
Press "DMX / 2.4 G", when the "DMX" corresponding Indicator light, At this time only DMX controller to control.

Press "DMX / 2.4 G", when the "2.4G" corresponding Indicator light Bright, At this time can use 2.4 G remote control or manual control control panel.
- 9 Brightness / Color temperature switching button
Press "DIMMER/COLOR", when the "DIMMER" corresponding Indicator light bright, Available adjust knob to adjust the brightness.

Press "DIMMER/COLOR", when the "COLOR" corresponding Indicator light bright, Available adjust knob to adjust the Color temperature. (GK - 2016S PRO without this feature)
- 10 DMX socket
After RJ45 interface connection, can support the DMX512 protocol control computer control.
- 11 Power switch
Press " I " direction for batteries power , according to the "O" direction to shut down, according to Press " II " adapter power.
- 12 Power cord socket
- 13 U-shaped bracket