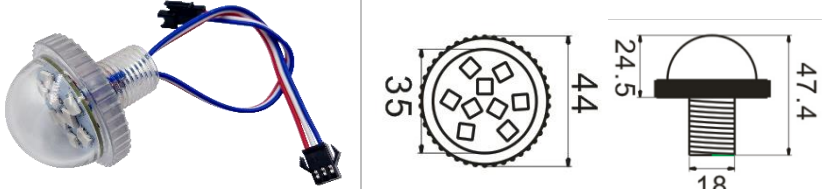


156314

Specifications

Picture	Dimension	Parameters	
			Input voltage
Lamp power	2.16W		
Chip	UCS 2903		
LED chip	SMD 5050		
LEDs number	9		
Color	RGB programmable		
IP rating	IP66		
Beam angle	≥140°		
Lifespan	≥50000h		

Features

1. This product is made up of PCB, plastic cover and base, a couple of 3-pins male and female connectors. As well as a series of gluing process to ensure good water and UV resistance.
2. It is a RGB programmable product, can achieve many different light effects by using a LED controller such as K-1000c.
3. The features of this product are high brightness, low power dissipation, long lifespan, low voltage decline and excellent thermal management and lumen maintenance.
4. Customized requests are available, for example: logo, waterproof connectors, transparent or milky cover, and length of cables.
5. This product has CE and RoHS certifications.

Applications



1. Amusement Park Rides Light

Ferris wheel, Carousels, Pirate ship, Pendulum, Bumper car, Tower and so on.

2. Advertisement Outdoor Signboard Backlight

Logo, Signage, Channel letter, Signs, Exposed luminous characters, Billboard and so on.

3. Stage Decoration Light

KTV, Disco, Bar, Night club and other stage light.

4. Commercial Light

Hotel, Shopping mall, Theater, Square and so on.

5. Kids Rides Decoration

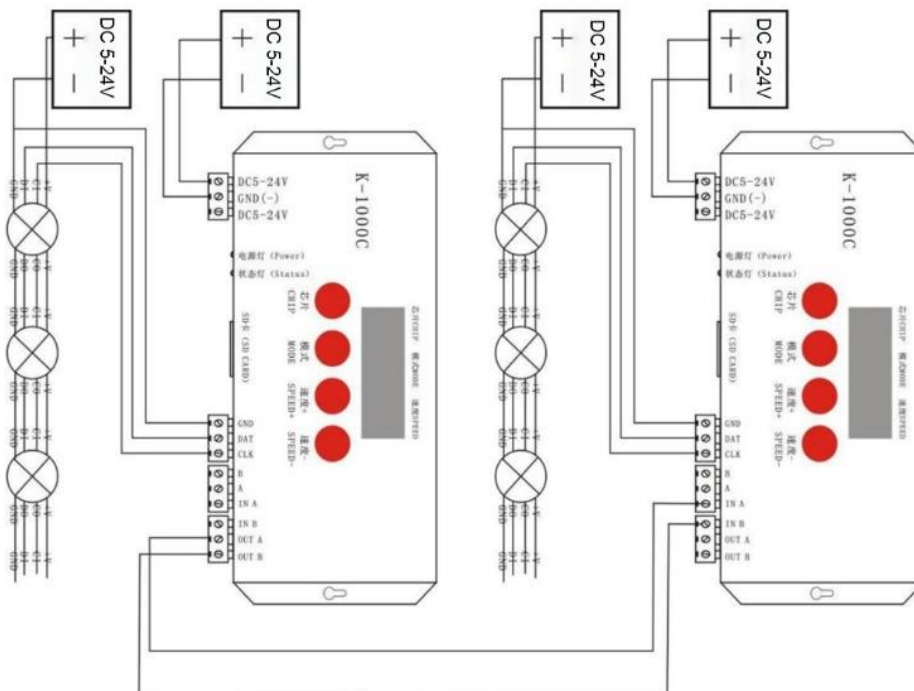
Castles, Robot, Mini carousels, Car, Mini train etc.

Packing & Weight



Weight/100pcs	Pieces/bag	Pieces/carton	G.W/carton	Carton size
2.76kg	60pcs	600pcs	17.5kg	46.5cm*46cm*28cm

Connection



Notes:

1. Male connector (with pins) is signal input port, female connector (without pins) is signal output port, connect DC12V/DC24V transformer. .
2. We suggest that every 20pcs lights connect to the power supply in parallel to avoid voltage decline.
3. One controller can only support up to 2000 pixels, more than 2000 pixels, you need to cascade with multiple controllers.