

● Warning And Notes

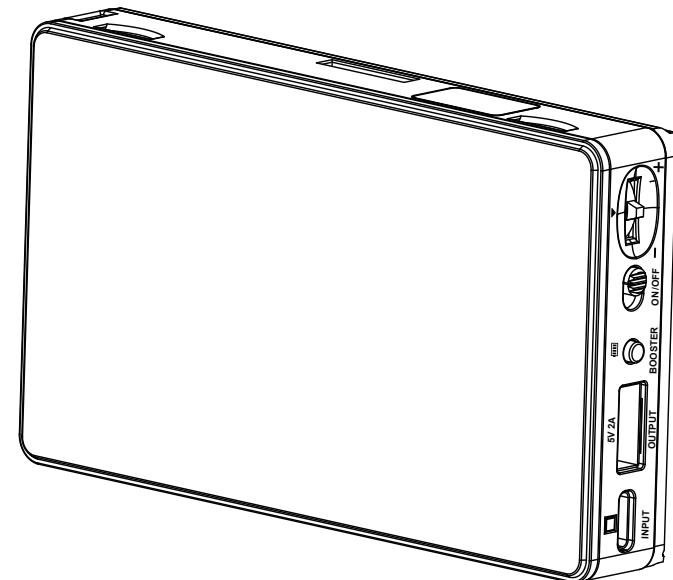
1. The environment should be kept dry and ventilated when using the light.
2. Please do not let the device be exposed to rain or moisture, to avoid circuit problem.
3. Please do not use the light with over- rated voltage.
4. It's normal the fixture will be a little hot when working.
5. During transportation and installation process, please do not hit against other items, or else it may cause deformation to the lamp shade and damage to the light.
6. Please do not directly look at the light bulb with naked eyes when the light is on.
7. Please do not place the light near by such as alcohol or gasoline and other flammable or volatile solvents.
8. Please use the soft dry cloth to clean the light. You can wash with a cloth with some neutral detergent to remove the dirt that is difficult to remove, and then dry with a soft cloth.
9. Keep the light out of reach from children.
10. Please do not work when over-current.
11. Do not disassemble equipment. Touch the product's internal part could result in injury.
In the event of malfunction, the product should be repaired only by a qualified technician.
12. Please cut off power when the light isn't used for long time.
13. Please note the precautions, or could result in injury.

Note:The technical data are subject to change without notice.



SBL Kompakt batteridrevet 9W LED lys

SKU:156797



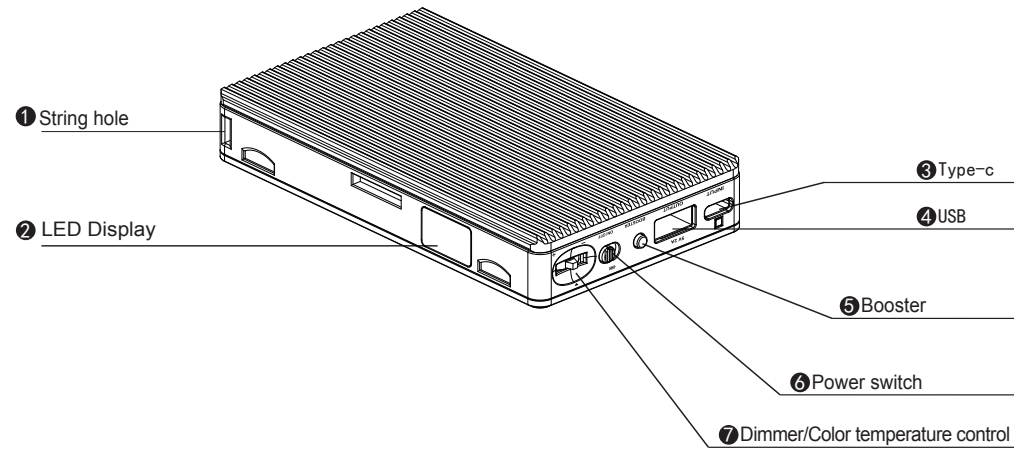
● Product Information

The Bicolor LED Mini Light has an adjustable color temperature output from 3200 to 5600K, featuring a metal chassis, an integrated Li-Po battery, it can fit in your pocket. From the LED screen, the dimmer and color temperature can be exactly controlled for shooting in most scenarios. Besides the built-in diffuser, the fixture comes with an addition filter, which makes the light beam much softer and protect the light source very well. The integrated Li-po battery charges via a USB Type-C port, and can be charged at 5 VDC drawing 0.8 amps, it keeps the light works for approximately 50 minutes at full brightness. The fixture also has a "boost mode" which increases the light's output by 30% for one minute at a time. Having the hot shoe 1/4"- 20 thread, the little light is compatible with all Dslr cameras, camcorders, selfie sticks, gimbals and action cameras.

● Specifications

Model	HF-96B
Output Power	9W
Luminous Flux	800LM
Color Rendering Index	95+
Color Temperature	3200K-5600K
Dimmer	10%-100%/130% (Booster)
Light Source	0.2W SMD LED
LED Quantity	96 Pcs
Battery	4000mAh
Duration	80 min(max brightness)
Charging time	150 minutes
Charging indication	When charging, the red light is blinking; fully charged, the red light is on
Size	116x68x19.5mm

● Overview



① String hole

② LED Display

③ Type-c

④ USB

⑤ Booster

Short press to booster the brightness to 130%, long press to indicate the battery remaining level.

⑥ Power switch

⑦ Dimmer/Color temperature control

Increase / decrease the intensity and change the color temperature.

Mode

Short press the button to switch between the modes of dimmer and color temperature control, slide the button to increase or decrease the brightness or adjust the color temperature.