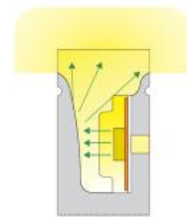
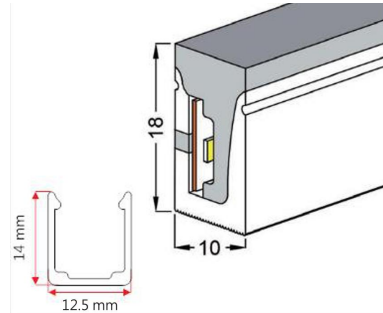




LIGHTING

Product Specifications



Model No.	157233
Product Size	10*18mm (W*H)
LED Light Source	SMD5050
LED Quantity (pcs/m)	96LEDs/m
Input Voltage (V)	DC24V
Power (W/m)	23W/m
Cutting Size	6.25cm
Color	RGB Colorful (No Pixel)
IP Rating	IP67
Bending Side	Side View