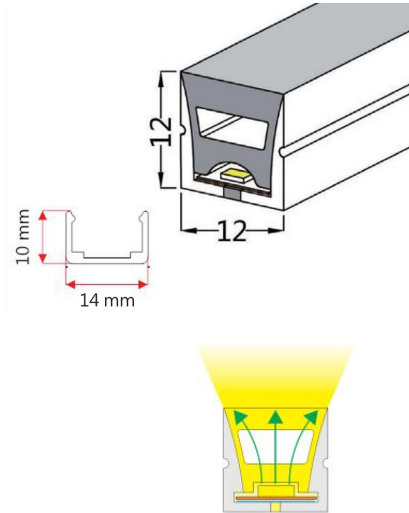




LIGHTING

Product Specifications



Model No.	157260
Product Size	12*12mm (W*H)
LED Light Source	SMD4040
LED Quantity (pcs/m)	120LEDs/m
LED Brand	Epistar
Input Voltage (V)	DC24V
Power (W/m)	19.2W/m
Cutting Size	5cm
Color	RGB (colorful)
IP Rating	IP67
Bending Side	Top View