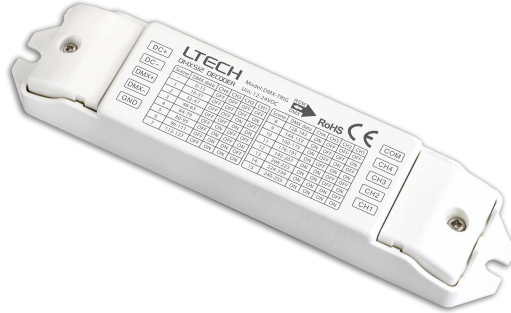


DMX-TRIG DMX512 Decoder



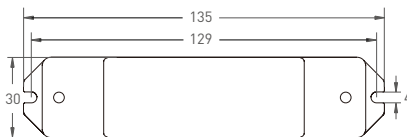
DMX-TRIG is a signal converter for DMX to dry contact. With RDM long range devices management function, it is easy for setting the DMX address. The 15 preset scenes of the WiFi-108 or LTSA512's dry contacts interface can be called and used by MS-WF-512 or DMX console.

1. Product parameter:

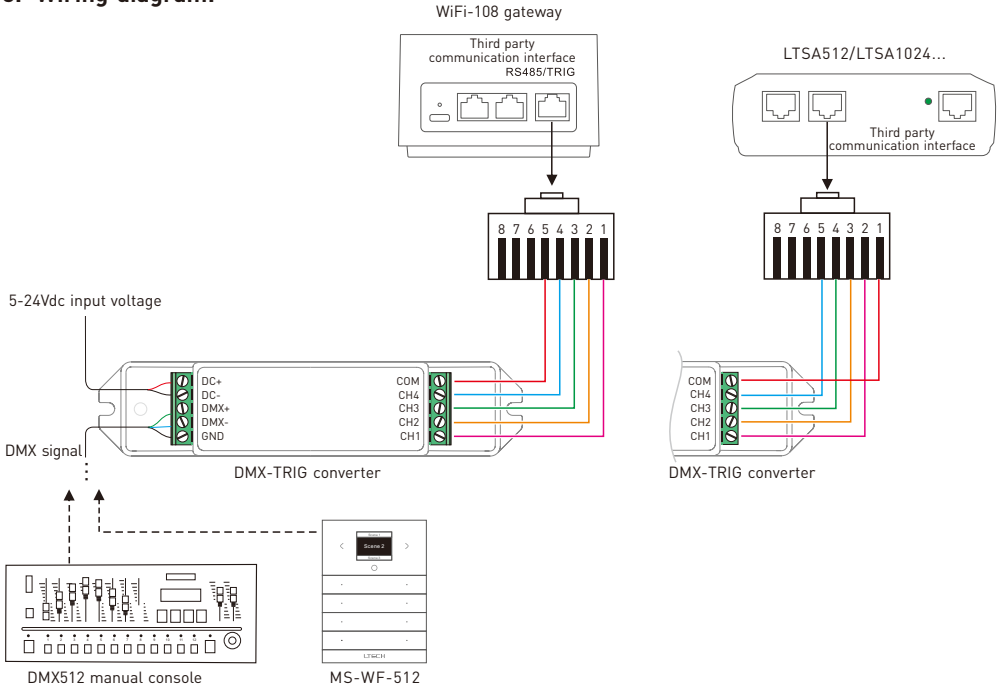
Model:	DMX-TRIG	Working temp.:	-30°C~55°C
Input signal:	DMX512/RDM	Product size:	L135×W30×H20mm
Output voltage:	12- 24Vdc	Package size:	L140×W34×H23mm
Trigger scenes:	15	Weight (G.W.):	80g

2. Product size:

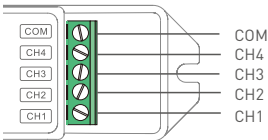
Unit: mm



3. Wiring diagram:



4. Setting table:



Received DMX data range		CH4	CH3	CH2	CH1	Remark
0	15	OFF	OFF	OFF	OFF	Default status
16	31	OFF	OFF	OFF	ON	Scene 1
32	47	OFF	OFF	ON	OFF	Scene 2
48	63	OFF	OFF	ON	ON	Scene 3
64	79	OFF	ON	OFF	OFF	Scene 4
80	95	OFF	ON	OFF	ON	Scene 5
96	111	OFF	ON	ON	OFF	Scene 6
112	127	OFF	ON	ON	ON	Scene 7
128	143	ON	OFF	OFF	OFF	Scene 8
144	159	ON	OFF	OFF	ON	Scene 9
160	175	ON	OFF	ON	OFF	Scene 10
176	191	ON	OFF	ON	ON	Scene 11
192	207	ON	ON	OFF	OFF	Scene 12
208	223	ON	ON	OFF	ON	Scene 13
224	239	ON	ON	ON	OFF	Scene 14
240	255	ON	ON	ON	ON	Scene 15

* No further notice if any changes in the manual.
 Product function depends on the goods.
 Please feel free to contact your supplier if any question.