

LT-801-12A DMX/RDM CV Decoder



LT-801-12A with the standard RDM remote device management protocol, supports DMX512 signal bi-directional communication, achieves remote management of reading and writing DMX address [DMX master controller must recognize RDM protocol].

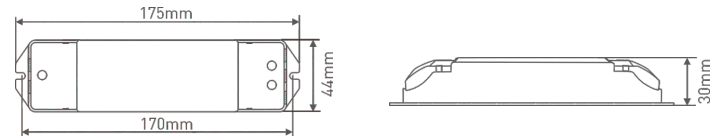
LT-801-12A is designed for dimming, dimming effect is superior to conventional DMX decoder, 0-100% PWM depth dimming, more in line with our eyes visual feeling, provide the user with more comfortable and natural lighting experience.

1. Product Parameter:

LT-801-12A DMX/RDM CV Decoder

Input Signal :	DMX512, RDM	Dimming Range :	0~100%
Input Voltage :	12-24Vdc	Protection :	Short circuit / Over load
Output Voltage :	12-24Vdc	Working Temp. :	-30°C~55°C
Current Load :	12A x 1CH Max. 12A	Dimensions :	L175xW44xH30mm
Output Power :	0~144W...288W	Package Size :	L178xW48xH33mm
		Weight [G.W.]:	130g

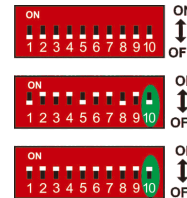
2. Product Size:



3. Main Component Description:



4. Dip Switch Functions:



RDM Mode: The dip switch 1-10 are OFF.

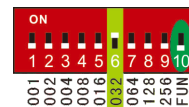
DMX Mode: FUN=OFF (the 10th dip switch=OFF)
Setting DMX addresses with dip switch 1-9

Self-testing Mode: FUN=ON (the 10th dip switch=ON)

4.1 E.g.: Initial DMX Address Setting:

DMX address value = the total value of (1-9), to get the place value when in "on" position, otherwise will be 0.

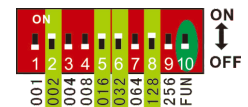
E.g a: Set Initial Address To 32



E.g b: Set Initial Address To 37



E.g. c: Set Initial Address To 178



$001+004+032=37$

$002+016+032+128=178$

* When Dip switch 1-9 are off, the initial DMX address defaults to 1.

4.2 Brightness Self-testing Mode:



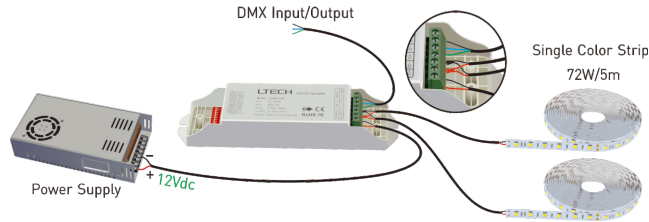
DIP1	DIP2	DIP3	DIP4	DIP5	DIP6	DIP7	DIP8	DIP9	DIP10
10%	20%	30%	40%	50%	60%	70%	80%	90%	ON

* DIP switch 1-9 off: brightness 100% ;

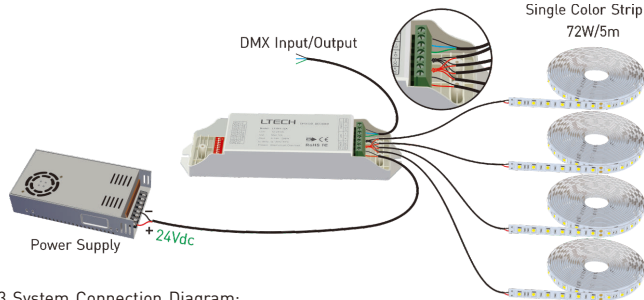
When two or more DIP switches on, brightness is subjected to the highest switch value.

5. Wiring Diagram:

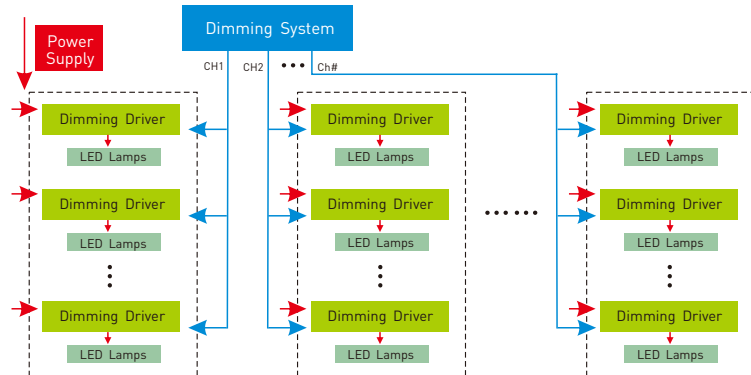
5.1 12V Lamp Connected, Loads 0-144W(12V):



5.2 24V Lamp Connected, Loads 0-288W(24V):



5.3 System Connection Diagram:



6. Attention:

- 6.1 The product shall be installed and serviced by the qualified person.
- 6.2 This product is non-waterproof, please avoid the sun and rain. When installed outdoors, please ensure it is mounted in a water proof enclosure.
- 6.3 Good heat dissipation will prolong the working life of the controller. Please ensure good ventilation.
- 6.4 Please check if the output voltage of the LED power supply used comply with the working voltage of the product.
- 6.5 Please ensure that adequate sized cable is used from the controller to the LED lights to carry the current. Please also ensure that the cable is secured tightly in the connector.
- 6.6 Ensure all wire connections and polarities are correct before applying power to avoid any damages to the LED lights.
- 6.7 If a fault occurs, please return the product to your supplier. Do not attempt to fix this product by yourself.

7. Warranty Agreement:

- 7.1 We provide lifelong technical assistance with this product:
 - A 5-year warranty is given from the date of purchase. The warranty is for free repair or replacement if cover manufacturing faults only.
 - For faults beyond the 5-year warranty, we reserve the right to charge for time and parts.
- 7.2 Warranty exclusions below:
 - Any man-made damages caused from improper operation, or connecting to excess voltage and overloading.
 - The product appears to have excessive physical damage.
 - Damage due to natural disasters and force majeure.
 - Warranty label, fragile label and unique barcode label have been damaged.
 - The product has been replaced by a brand new product.
- 7.3 Repair or replacement as provided under this warranty is the exclusive remedy to the customer. We shall not be liable for any incidental or consequential damages for breach of any stipulation in this warranty.
- 7.4 Any amendment or adjustment to this warranty must be approved in writing by our company only.
 - ★ This manual only applies to this model. We reserve the right to make changes without prior notice.