


# 5050SMD RGB 60LED/m led strip

1:Specifications:		2:pictures
Items	Parameter	
Item	RGB led strip light	
Power	14.4W/M	
Input Voltage	DC12V/24V	
LED Source	5050SMD LEDs	
LED quantity	60LEDs /meter	
Work current/meter	540-600mA	
Details	RGB Chip	
Color.T	RGB	
Beam Angle	120°	
IP Rate	IP20,IP65,IP67,IP68 is available	
Working Environment	Working temperature:-40°C~+55°C	
	Working humidity:10%-90%	
Led Life	>50,000 hours	
Warranty	2 years	
Certificates	CE/RoHS	

### 3:led strip RGBW color wavelength(nm/K)

Red	Green	Blue	Yellow	Warm white	Nature white	Cool white
619-635	512-528	463-475	584-595	2700-3300	4000-4500	5500-6500

### 4:Working Mode of RGB:

1:Can meet any customized modes! For example:

#### A. Running mode

Green Running, Blue Running, Red Running, Cyan Running, White Running, Purple Running, Yellow Running

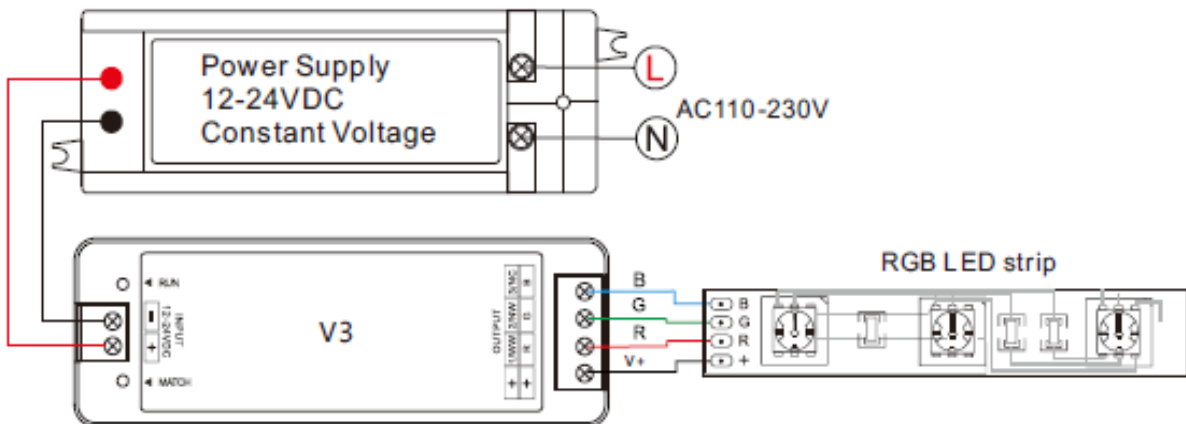
#### B.Static mode

Static Green, Static Blue, Static Red, Static Cyan, Static White, Static purple, Static Yellow

#### C.Gradual change mode

Green Gradual Changing , Blue Gradual Changing , Red Gradual Changing , Cyan Gradual Changing , White Gradual Changing, Purple Gradual Changing , Yellow Gradual Changing.

### 5:installing:



## 6:Application:

Architectural decorative lighting,Window display lighting,Amusement park or theater,Emergency lighting,Stairway accent lighting,Ad signs, light boxes,Back lighting for signage letters,Swimming pools and fountains,Swimming pools and fountains,Holiday decorative lighting,Car decorative lighting,Night club lighting

