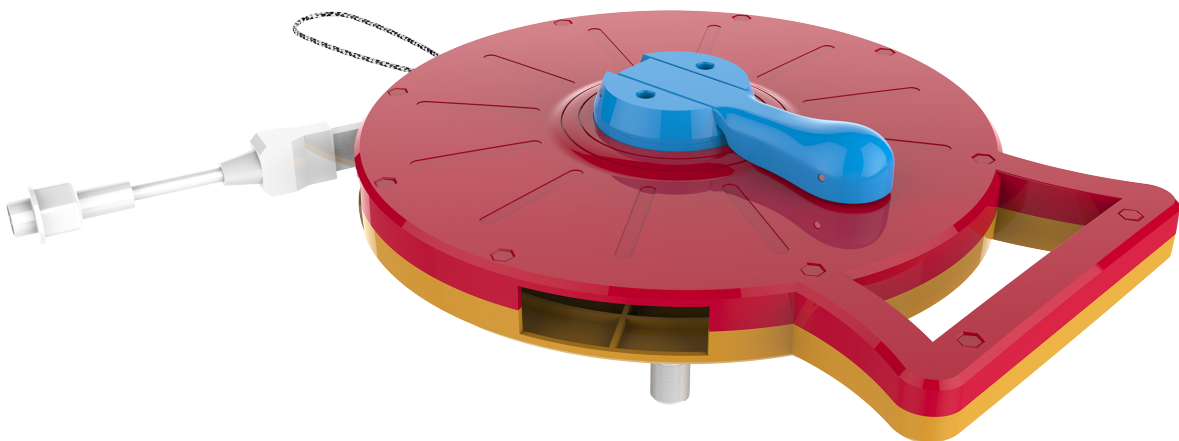
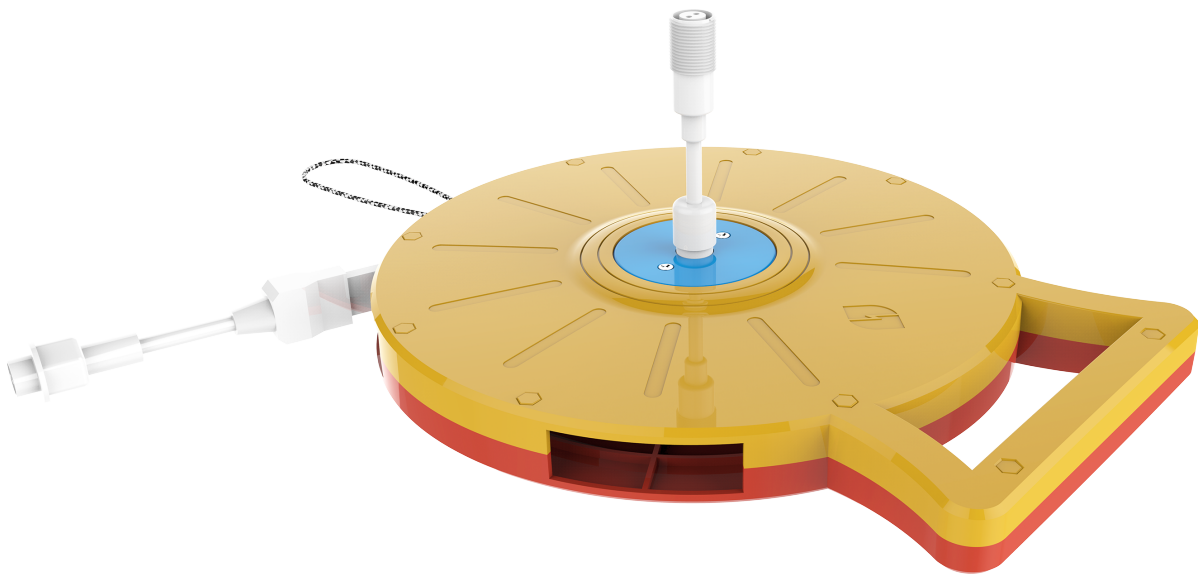




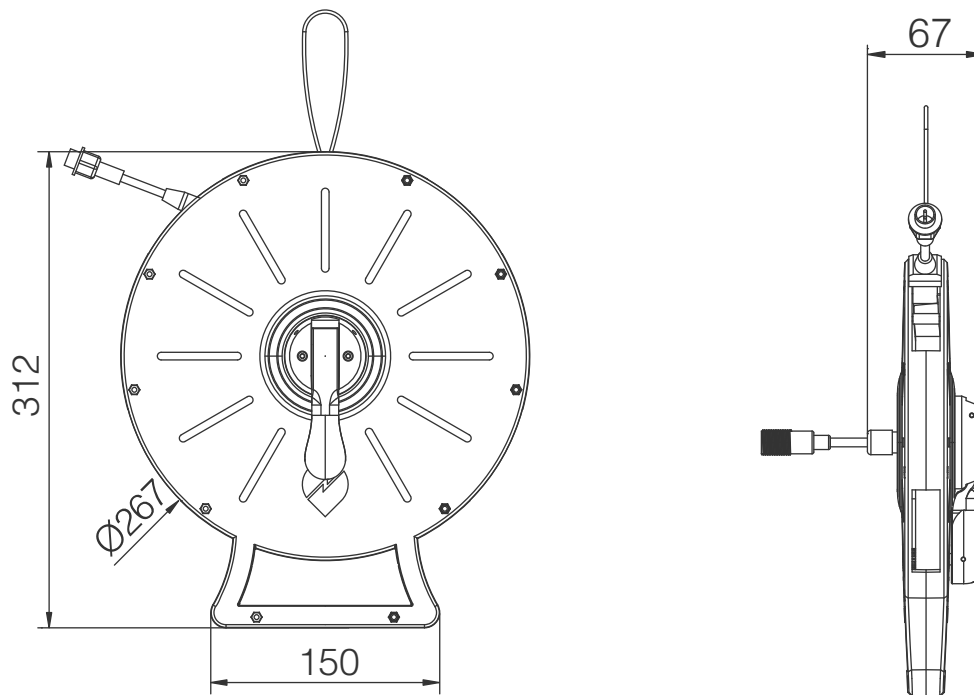
Product Specifications

SBL geniLED 10m



SIZE

Unit: mm



FEATURES

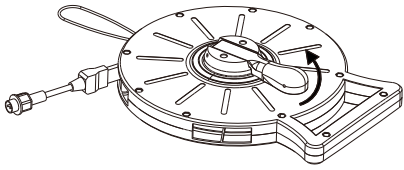
- Professional appearance design, clean and elegant, concise and vogue.
- Outbreak innovation in light field, providing wide voltage ranges, including 12VDC and 24VDC, even 36VAC, 120VAC and 230VAC. Socket's options include Euro, British, Australian, American, China, Bare Wire, Vehicle or Battery Connection.
- Simply plug in and out to roll strips up, realizing long distance application without any electrical components.
- Apply smart IC Driver, inner Circuit with short protection, make it safe and reliable to use.
- Protection Grade level: IP68, advance seal technology and suitable for multi purpose environment.
- Environmental PVC Rubber sleeve with high quality and anti-bend performance, soft and smooth, high transmittance, insulation protection is safer.
- Portable and convenient utility, flexible strips can be rolled up freely by rotation component, which roll strip back into chamber after use.

PARAMETERS

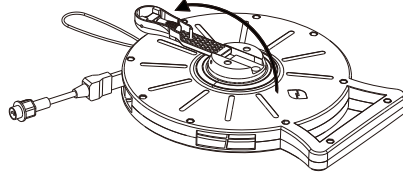
01	Model	Mini Cat-10M (LV③)	Mini Cat-10M (HV②)
02	Length	10 Meters	10 Meters
03	Voltage	AC36V	AC230V
04	Power	70W	80W
05	Lumens	6000LM	7000LM
06	CRI	>80	>80
07	IP	IP68	IP68
08	Beam angle	120°	120°
09	CCT	NW/CW	NW/CW
10	Warranty	3 years	3 years
11	Working temperature	-20~+50℃	-20~+50℃
12	N.W	1.30KG	1.30KG
13	Over voltage protection	Yes	Yes
14	Over heat protection	Yes	Yes
15	Fire retardant	Yes	Yes
16	Light strip size	14X4mm	14X4mm
17	Accessories	Bare Wire	AUS, BS, EU, specification Plug.



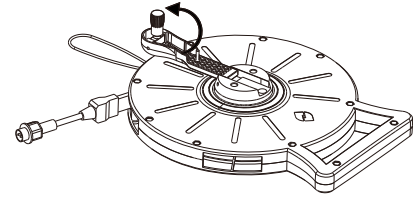
MINI CAT-10M INSTRUCTIONS PRE-USE (Pull Out Strip)



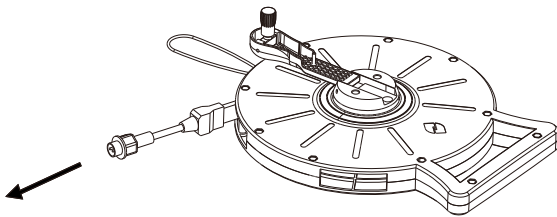
① Rotate bracket as direction



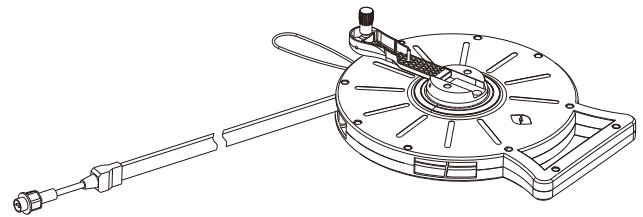
② Horizontal state of bracket



③ Rotate handle vertically

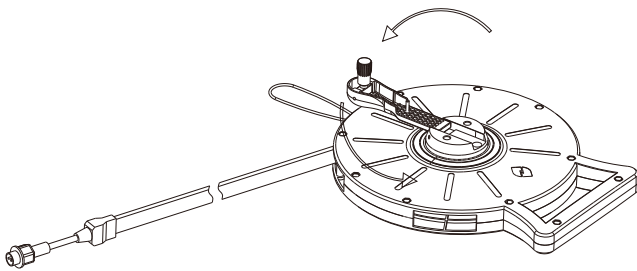


④ Pull strip out

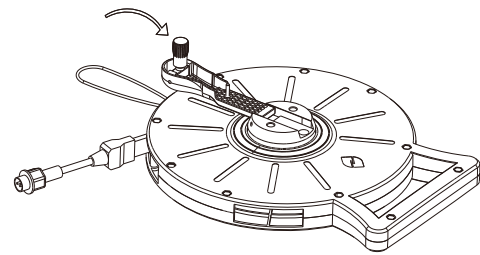


⑤ Work state

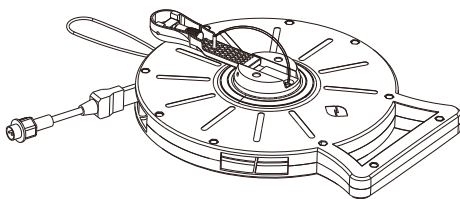
MINI CAT-10M INSTRUCTIONS AFTER USE (Pull Back Strip)



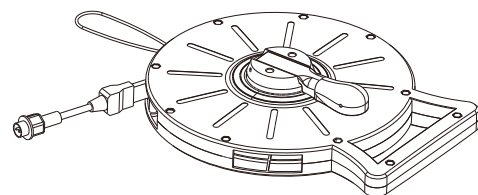
① Pull strip back rotating handle



② Rotate handle back

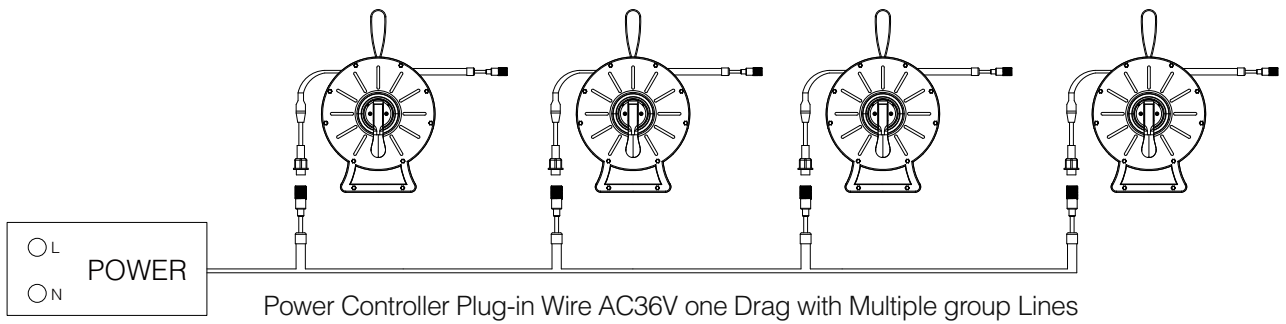
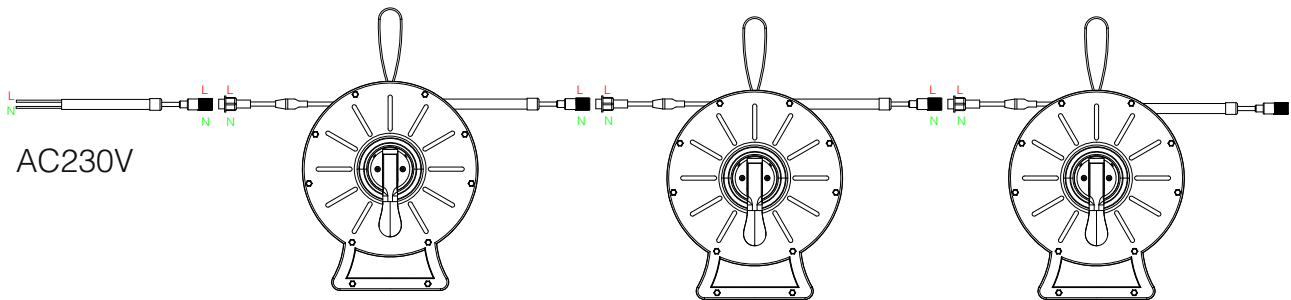


③ Roll bracket back caring pin and limit hole inside in alignment

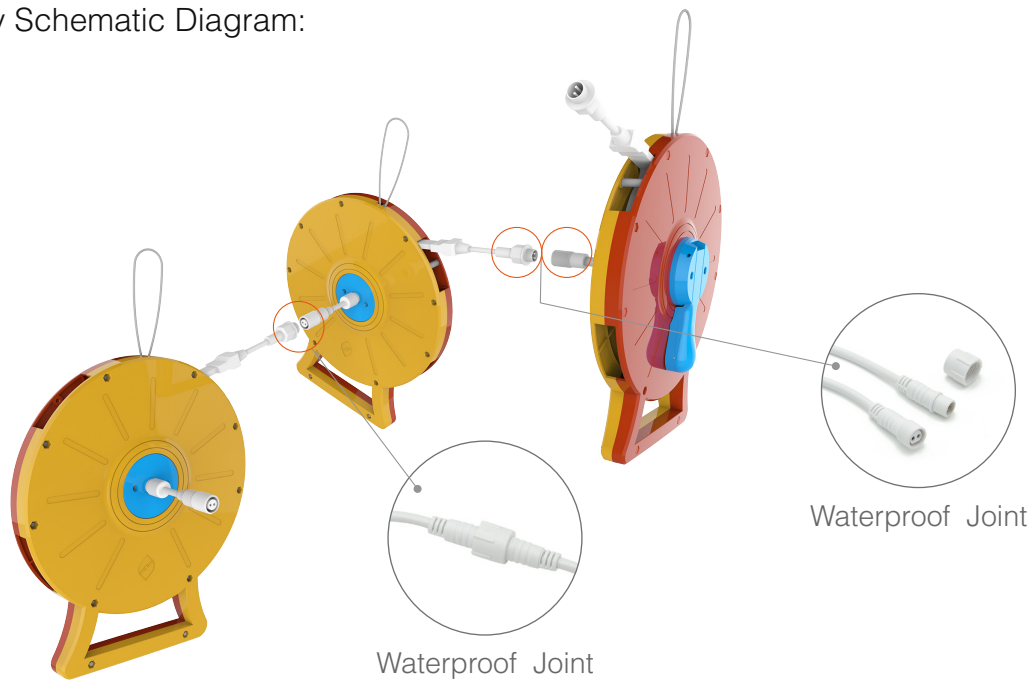


④ Final state

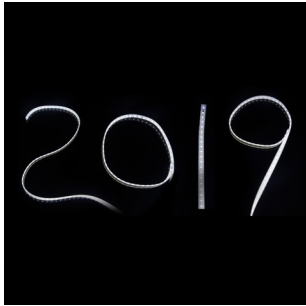
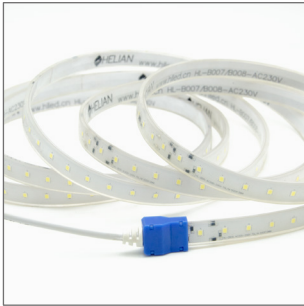
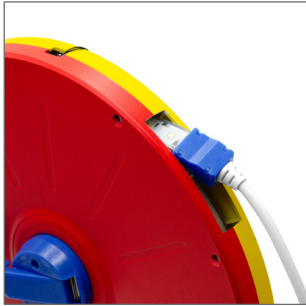
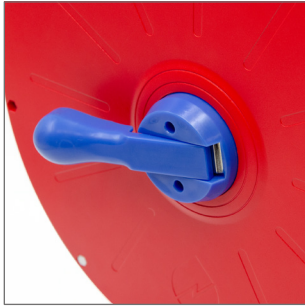
JOIN DIAGRAMMATIC SKETCH



Assembly Schematic Diagram:



HELIAN PORTABLE MINI CAT-10M



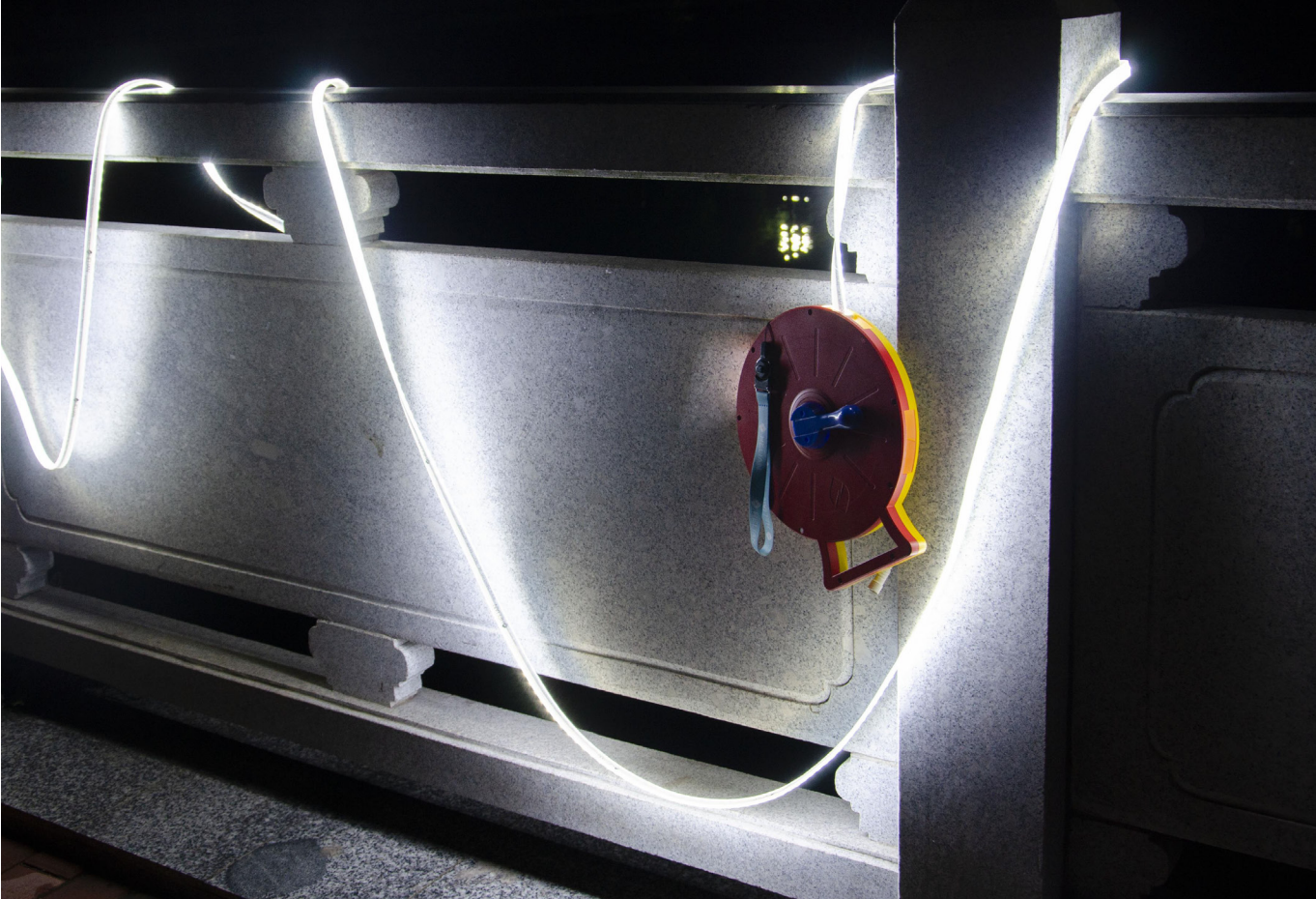
BEFORE AND AFTER COMPARISON



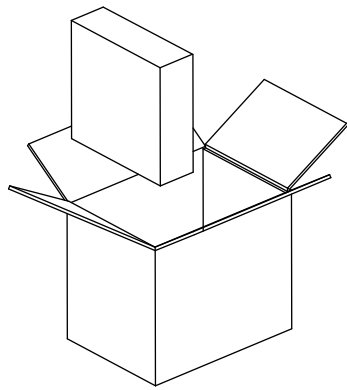
APPLICATION PICTURE

Applications: Temporary camping activities, outdoor temporary celebrations, construction sites, repair sites, oceans or military fields.

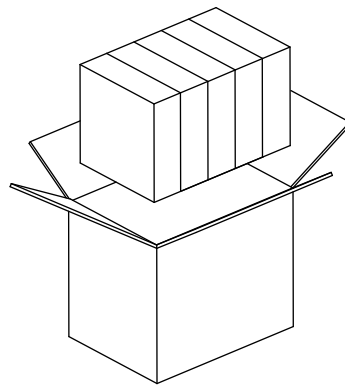




PACKAGING

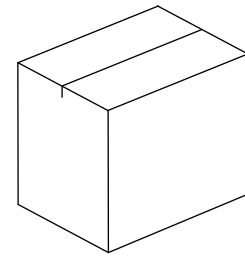


① Put into the carton box

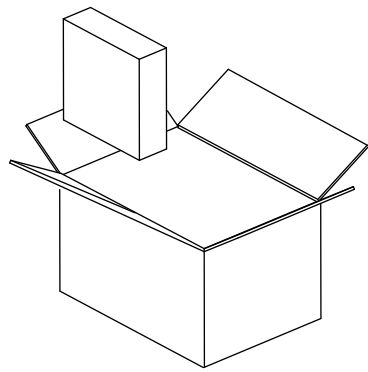


② 5 Pcs

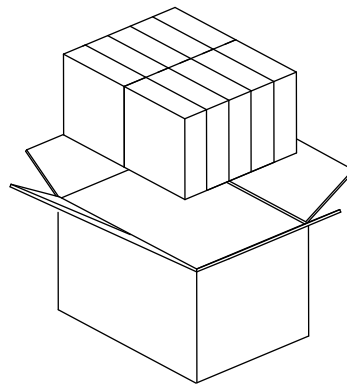
5 Pcs



③ Sealing

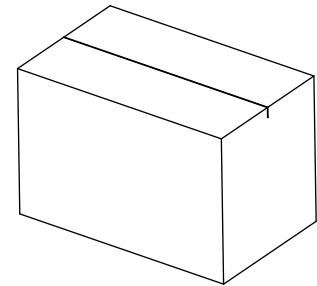


① Put into the carton box



② 10 Pcs

10 Pcs



③ Sealing

01	Model	Portable Mini Cat-10M
02	Carton box 01	515*365*385mm
03	QTY/Carton 01	5 PCS
04	Carton box 02	715*515*385mm
05	QTY/Carton 02	10 PCS

ACCESSORY (OPTIONAL PLUG)



AUS



EU



BS



US



Bare Wire

NOTICES

- ◆ No switch on the power supply during the installation process. Only when the connection, installation, fixing and ensuring correct conditions can the power supply be connected.
- ◆ No knock the lamp belt with blunt instrument, press the lamp belt with heavy objects and knock the vibration during use.
- ◆ Only two products of the same specification and voltage can be connected in series with each other. The maximum permissible length of series connection is 100 meters.
- ◆ All interfaces must be firm and free from short circuit hidden danger.
- ◆ Installation and fixing, do not use metal materials such as iron wire to tie the lamp band tightly, so as to avoid iron wire falling into the lamp tube, causing leakage, short circuit, burning lamp tube, etc.
- ◆ The power supply voltage should be consistent with the voltage indicated by the product, and appropriate safety devices should be installed.
- ◆ Do not cover or cover the lamp belt with any object during the use of the product, ensure that the lamp radiates well.
- ◆ This product is not a children's toy, but it is easy to arouse children's interest. Please install it in places that children can't touch or under adult guardianship.