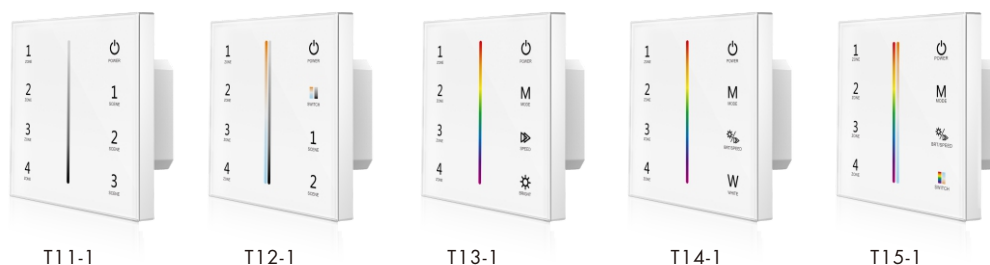


# Wall Mounted Touch Panel

Model No.: T11-1, T12-1, T13-1, T14-1, T15-1

4 Zone/1-5 color/Glass touch panel/Color slide/AC input/DMX 512 and RF 2.4G signal output



CE RoHS  LVD RED

## Features

- Touch panel 4 zone 1-5 color DMX512 master, can also be used as 4 zone 1-5 color RF remote.
- DMX signal output, comply to standard DMX512 protocol, compatible with DMX decoder from any supplier.
- When used as RF remote, each zone can remote control multiple receivers, including kindomled's 2.4G LED controller, dimming driver or smart lamp.
- Ultra sensitive high strength glass touch panel with touch color slide in the middle and backlighting.
- Smooth and accurate color adjustment by touching the color slide.
- Touch keys with chord tones and LED indicator.

## Technical Parameters

Model No.	T11-1	T12-1	T13-1	T14-1	T15-1
Light type	Single color	Dual color	RGB	RGBW	RGB+CCT
Output DMX channel number	4	8	12	16	20

Input and Output	
Input voltage	85-265VAC
Input current	Max 0.1A
Output signal	DMX512, RF 2.4GHz

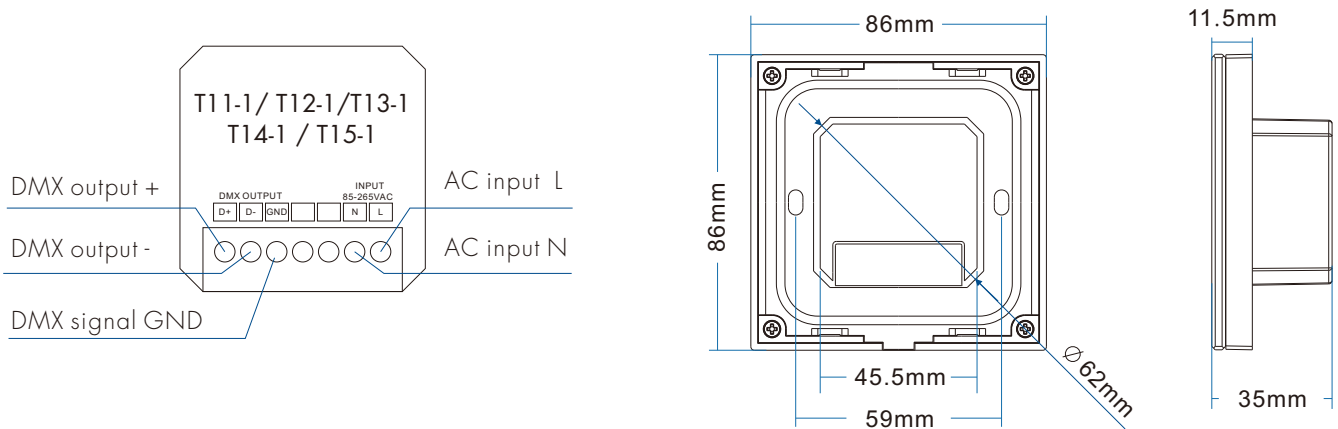
Safety and EMC	
EMC standard (EMC)	EN301 489, EN 62479
Safety standard(LVD)	EN60950
Radio Equipment(RED)	EN300 328
Certification	CE, EMC, LVD, RED

Warranty	
Warranty	5 years

Dimming data	
Input signal	Touch key + RF 2.4GHz
RF Control distance	30m
Dimming level	256 levels
Dimming range	0-100%

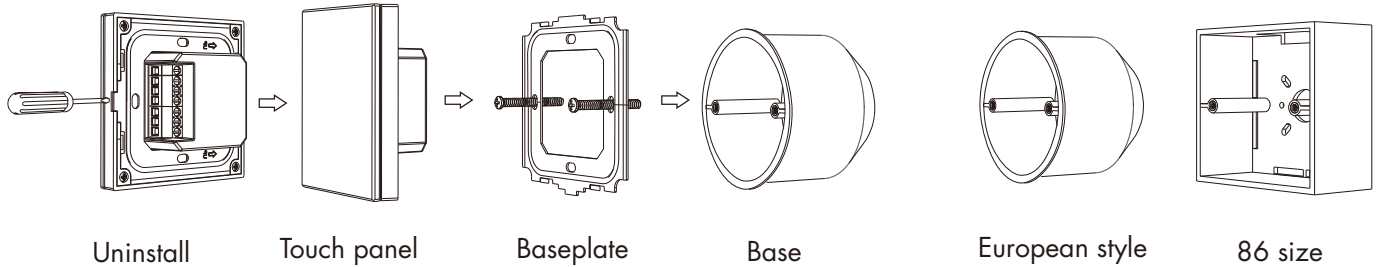
Environment	
Operation temperature	Ta: -30°C ~ +55°C
Case temperature (Max.)	Tc: +85°C
IP rating	IP20

## Mechanical Structures and Installations



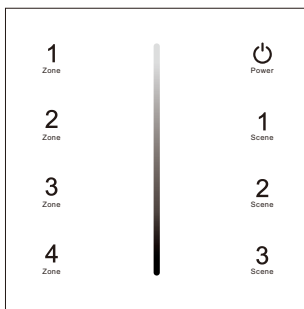
Installation diagram:

Typical base as below:



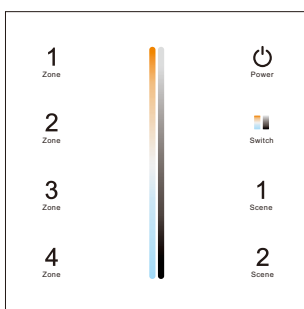
## Key function

### T11-1 Single color panel



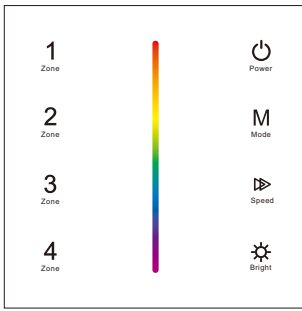
- Turn on/off all zone light.
- Brightness slide.
- Short press recall scene. Long press 2s to save the current state into 1/2/3.
- Short press turn on zone light and select zone simultaneously, long press 2s turn off zone light. 4 zone control separately or synchronously, each zone could control multiple receivers.

### T12-1 Dual color panel



- Turn on/off all zone light.
- Color temperature / Brightness slide.
- Switch between color temperature / brightness slide
- Short press recall scene. Long press 2s to save the current state into 1/2.
- Short press turn on zone light and select zone simultaneously, long press 2s turn off zone light. 4 zone control separately or synchronously, each zone could control multiple receivers.

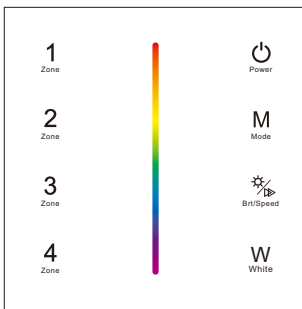
### T13-1 RGB panel



- Turn on/off all zone light.
- Color slide.
- M** Mode — Short press play 10 built-in mode, long press run mode-cycle.
- Adjust dynamic mode speed or RGB color saturation, 10 levels.
- Adjust brightness, 10 levels.
- 1 2 3 4**  
Zone Zone Zone Zone

Short press turn on zone light and select zone simultaneously, long press 2s turn off zone light. 4 zone control separately or synchronously, each zone could control multiple receivers.

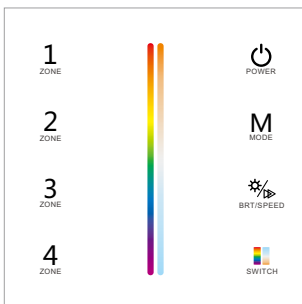
### T14-1 RGBW panel



- Turn on/off all zone light.
- Color slide.
- M** Mode — Short press play 10 built-in mode, long press run mode-cycle.
- Adjust dynamic mode speed or static color brightness, 10 levels.
- W** White — Short press turn on/off W channel, long press adjust W channel brightness.
- 1 2 3 4**  
Zone Zone Zone Zone

Short press turn on zone light and select zone simultaneously, long press 2s turn off zone light. 4 zone control separately or synchronously, each zone could control multiple receivers.

### T15-1 RGB+CCT panel



- Turn on/off all zone light.
- RGB color / Color temperature slide.
- Switch between RGB color / Color temperature slide.
- M** Mode — Short press play 10 built-in mode, long press run mode-cycle.
- Adjust dynamic mode speed or static color brightness, 10 levels.
- 1 2 3 4**  
Zone Zone Zone Zone

Short press turn on zone light and select zone simultaneously, long press 2s turn off zone light. 4 zone control separately or synchronously, each zone could control multiple receivers.

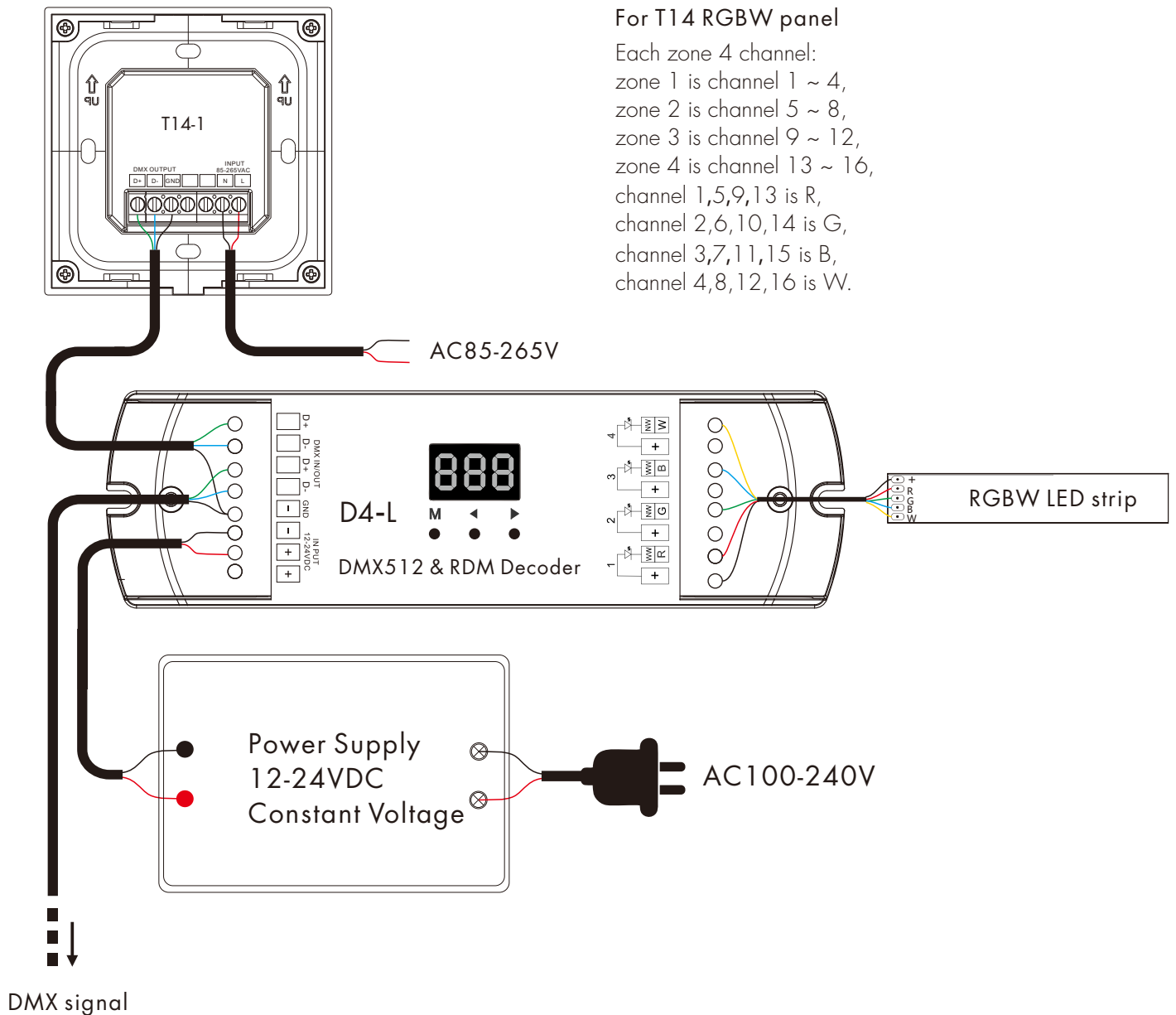
**Note:** After touch power key to turn off light, long press power key for 5 seconds will turn on or turn off tone.

## Touch Panel work as DMX512 Master

After connect with DMX decoders, please set the DMX decoders address as below:

Model No.	T11-1	T12-1	T13-1	T14-1	T15-1
Zone 1 DMX decoder's address	1	1,2	1,2,3	1,2,3,4	1,2,3,4,5
Zone 2 DMX decoder's address	2	3,4	4,5,6	5,6,7,8	6,7,8,9,10
Zone 3 DMX decoder's address	3	5,6	7,8,9	9,10,11,12	11,12,13,14,15
Zone 4 DMX decoder's address	4	7,8	10,11,12	13,14,15,16	16,17,18,19,20

## Wiring Diagram for touch panel work as DMX512 master



## Touch Panel work as RF remote (two match ways)

End user can choose the suitable match/delete ways. Two options are offered for selection:

### Use the controller's Match key

Match:

Short press match key, immediately press Zone key of the touch panel.

Delete:

Press and hold match key for 5s to delete all match, The light blinks 5 times means all matched remotes were deleted.

### Use Power Restart

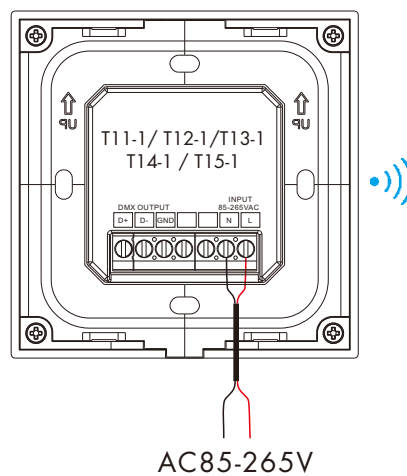
Match:

Switch off the power of the receiver, then switch on power again, immediately short press Zone key 3 times on the touch panel. The light blinks 3 times means match is successful.

Delete:

Switch off the power of the receiver, then switch on power again, immediately short press Zone key 5 times on the touch panel. The light blinks 5 times means all matched remotes were deleted.

## Wiring Diagram for touch panel work as RF remote



## Malfunctions analysis & troubleshooting

Malfunctions	Causes	Troubleshooting
No light	<ol style="list-style-type: none"> <li>1. No power.</li> <li>2. Wrong connection or insecure.</li> </ol>	<ol style="list-style-type: none"> <li>1. Check the power.</li> <li>2. Check the connection.</li> </ol>
Wrong color	<ol style="list-style-type: none"> <li>1. DMX decoder first address error.</li> <li>2. Wrong connection of output wires.</li> </ol>	<ol style="list-style-type: none"> <li>1. Check the DMX first address.</li> <li>2. Reconnect output wires.</li> </ol>